



US00D950022S

(12) **United States Design Patent**
Smerdon

(10) **Patent No.:** **US D950,022 S**

(45) **Date of Patent:** **** Apr. 26, 2022**

(54) **DRAIN GRATE**

(71) Applicant: **Everhard Industries Pty Ltd**, Geebung (AU)

(72) Inventor: **Kevin Smerdon**, Geebung (AU)

(73) Assignee: **EVERHARD INDUSTRIES PTY LTD**, Queensland (AU)

(**) Term: **15 Years**

(21) Appl. No.: **29/732,822**

(22) Filed: **Apr. 28, 2020**

(30) **Foreign Application Priority Data**

Nov. 13, 2019 (AU) 201916457

(51) **LOC (13) Cl.** **23-01**

(52) **U.S. Cl.**
USPC **D23/261**

(58) **Field of Classification Search**
USPC 210/162-166, 499, 464, 482, 163-165, 210/167.1, 167.12, 167.15; D23/259-261, 206, 208-209, 365, D23/267-268; D7/300.1, 369, 400, 667; 4/256.1, 286-295, 679, 688-689, 4/507-508, 510, 513; 137/247.33, 137/545-547; D9/435-436, 447; D27/194; D30/128, 132; 47/14, 61; D32/55; D25/152, 156; 52/12-13, 101
CPC E03C 1/12; E04H 4/1272; A01G 3/02; B65D 43/0231; E03F 2005/068
See application file for complete search history.

(56) **References Cited**

U.S. PATENT DOCUMENTS

D572,358 S * 7/2008 Natrass D23/397
D582,527 S * 12/2008 Wang D23/261
8,239,974 B2 * 8/2012 Erlebach E03F 5/04
4/291
D792,954 S * 7/2017 Sander D23/304

D831,169 S * 10/2018 Schluter D23/261
10,544,576 B2 * 1/2020 Ismert E03F 5/0401
2005/0232701 A1 * 10/2005 Humphries E03F 5/06
405/43
2011/0197355 A1 * 8/2011 Lemire E03F 5/0408
4/613
2011/0203979 A1 * 8/2011 Schlueter E03F 5/04
210/164
2016/0298324 A1 * 10/2016 Blamble E03F 5/0409
2016/0326735 A1 * 11/2016 Krcil E03F 5/04
(Continued)

OTHER PUBLICATIONS

EasyDrain Edge Channel & Grate; Visited online Sep. 21, 2021 at <https://www.everhard.com.au/product/easydrain-edge-channel-grate/>; Internet archive WayBack date Sep. 19, 2020 (Year: 2020).*

Primary Examiner — Amy C Wierenga
(74) *Attorney, Agent, or Firm* — Edell, Shapiro & Finnan, LLC

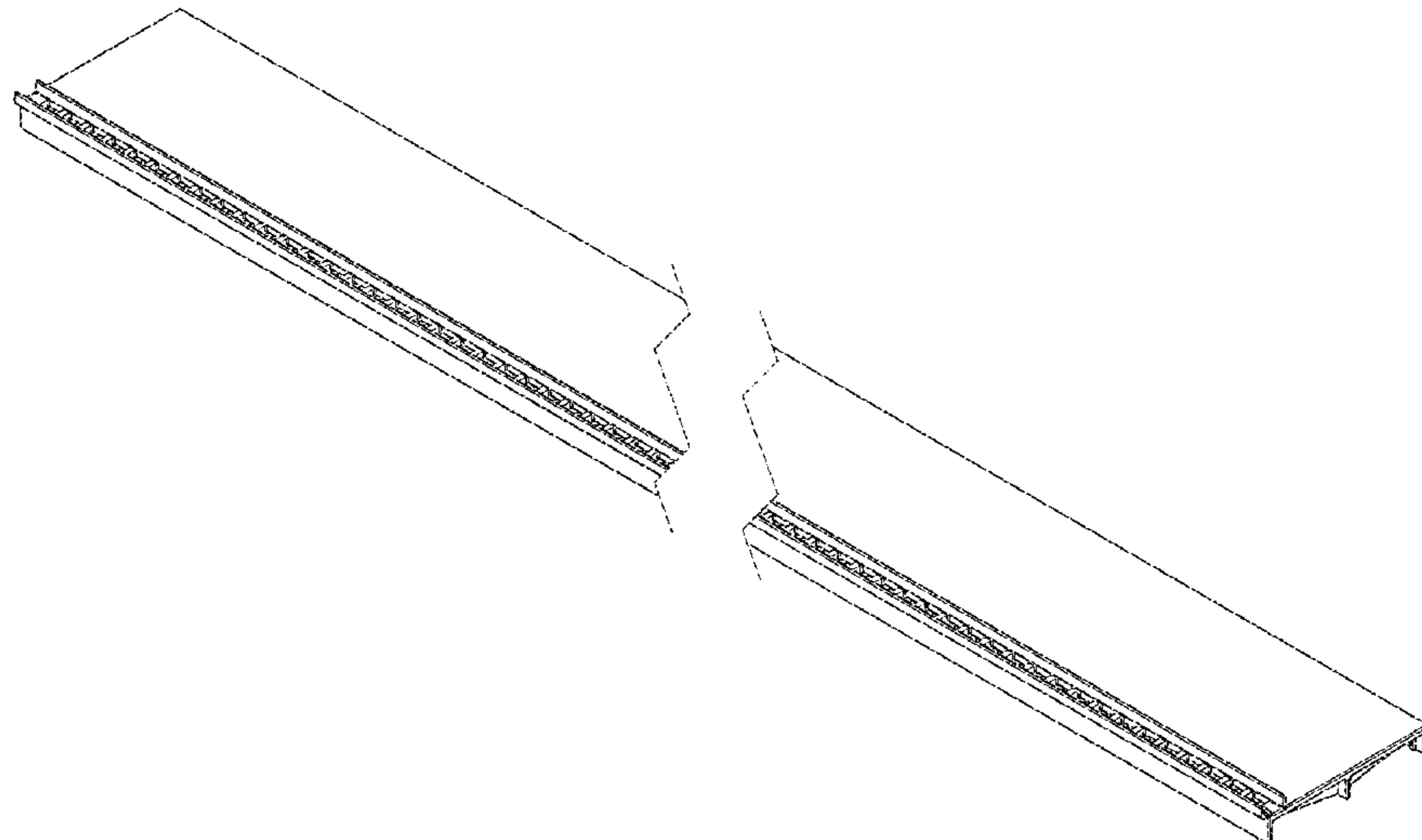
(57) **CLAIM**

The ornamental design for a drain grate, as shown and described.

DESCRIPTION

FIG. 1 is a top perspective view of the drain grate according to the present invention;
FIG. 2 is a bottom perspective view of the drain grate of FIG. 1;
FIG. 3 is a top view of the drain grate of FIG. 1;
FIG. 4 is a front view of the drain grate of FIG. 1;
FIG. 5 is a bottom view of the drain grate of FIG. 1; and, FIG. 6 is a left side view of the drain grate of FIG. 1, where the right side view (not shown) is a mirror of the left side view.
The drain grate is shown with a symbolic break in its length. The appearance of any portion of the article between the break lines forms no part of the claim.

1 Claim, 4 Drawing Sheets



(56)

References Cited

U.S. PATENT DOCUMENTS

2017/0196413 A1* 7/2017 Sander A47K 3/40
2018/0038091 A1* 2/2018 Ismert E03F 5/0401
2020/0284012 A1* 9/2020 Kolarec E03C 1/281

* cited by examiner

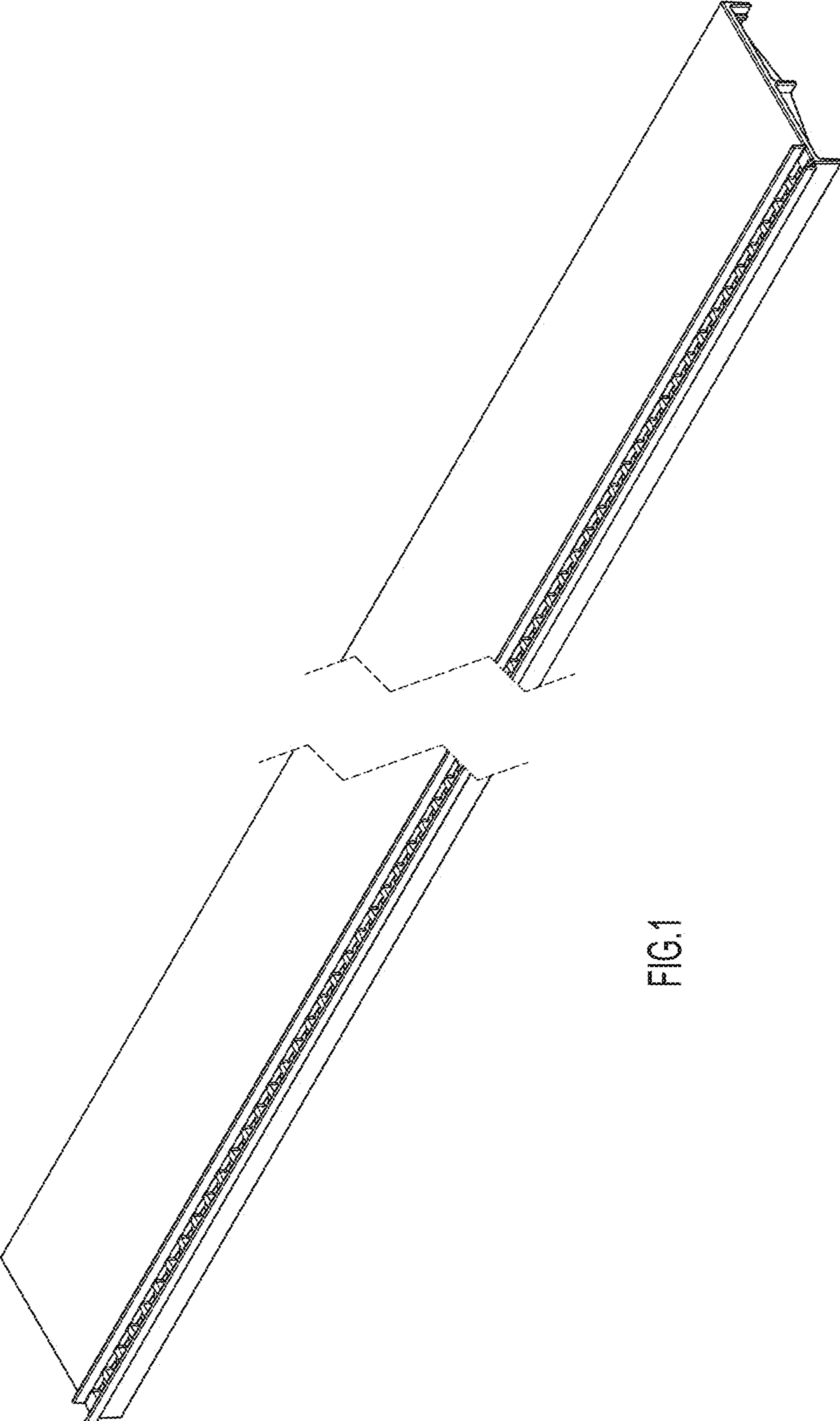


FIG.1

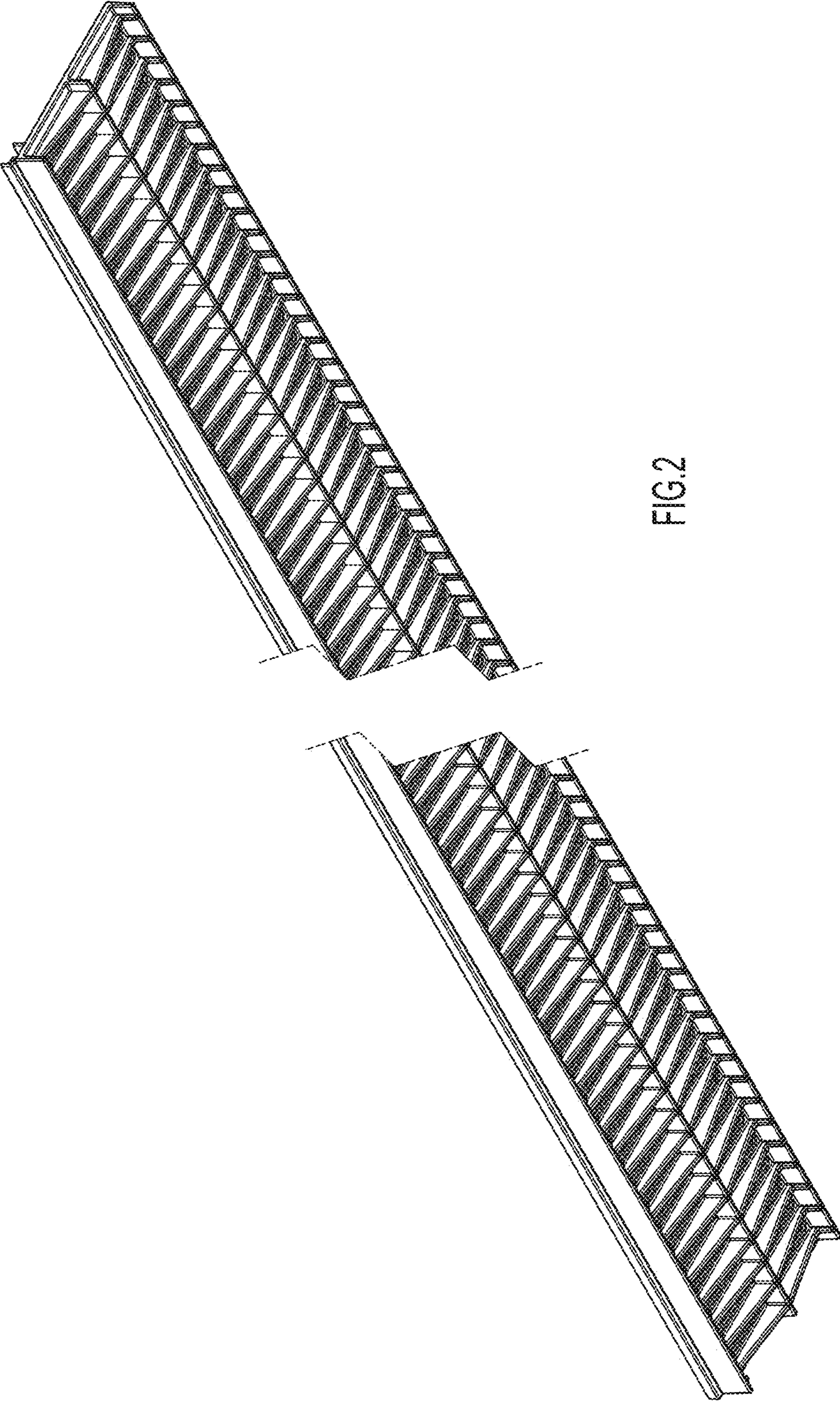


FIG.2

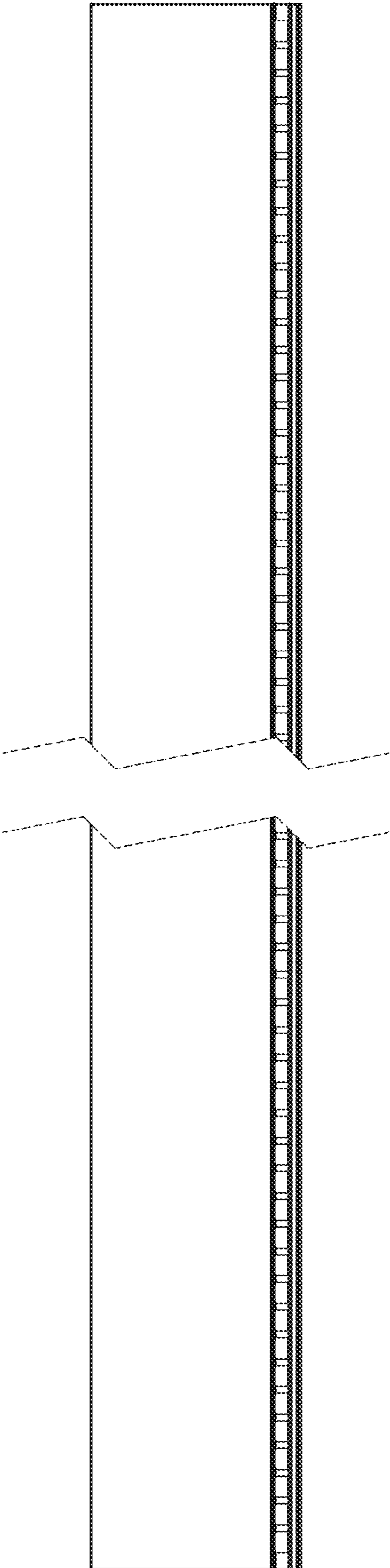


FIG.3



FIG.4

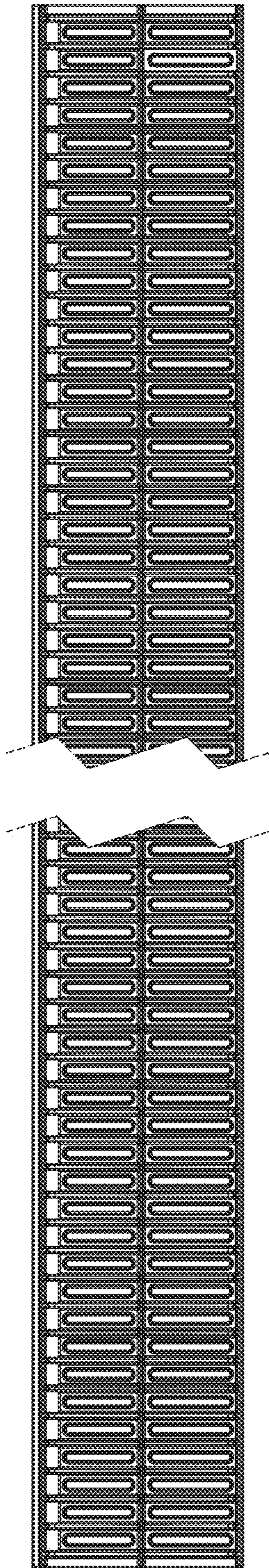


FIG. 5

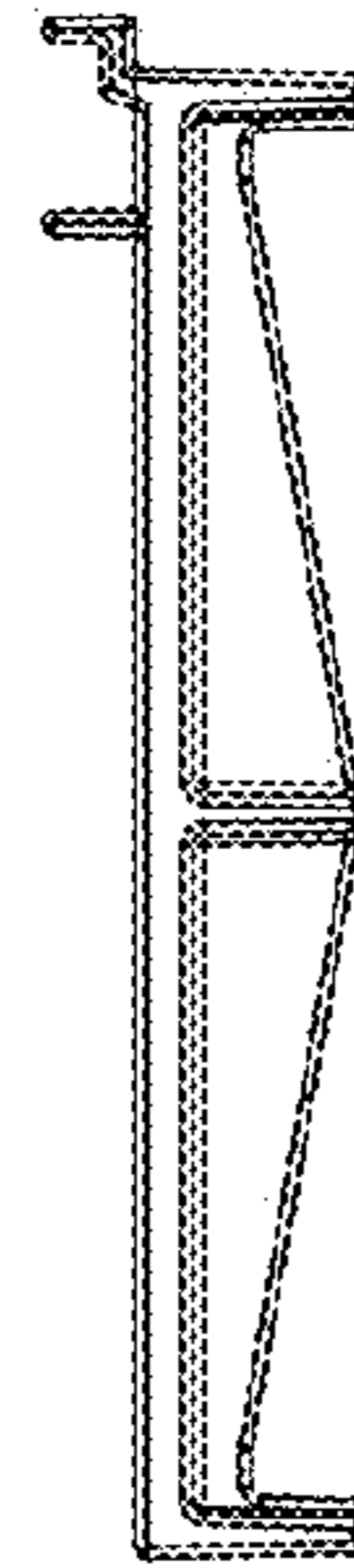


FIG. 6