



US00D950021S

(12) **United States Design Patent**  
**Keillor**

(10) **Patent No.:** **US D950,021 S**

(45) **Date of Patent:** **\*\* Apr. 26, 2022**

(54) **DEVICE FOR MAINTAINING A CONSTANT LEVEL OF LIQUID IN A SINK OR SHOWER**

(71) Applicant: **Mark Stephen Keillor**, Kettering, OH (US)

(72) Inventor: **Mark Stephen Keillor**, Kettering, OH (US)

(\*\*) Term: **15 Years**

(21) Appl. No.: **29/676,512**

(22) Filed: **Jan. 11, 2019**

(51) **LOC (13) Cl.** ..... **23-01**

(52) **U.S. Cl.**  
USPC ..... **D23/261**

(58) **Field of Classification Search**

USPC .... D23/201, 202, 206, 211.1, 223-227, 247, D23/259-261; D30/121, 132  
CPC ..... A01K 7/00; B05B 9/08; B05B 9/0805; B05B 9/0811; B05B 9/0816; B05B 9/0822; E03C 1/244

See application file for complete search history.

(56) **References Cited**

**U.S. PATENT DOCUMENTS**

740,737	A *	10/1903	Blum	.....	E03C 1/244
					4/680
2,321,176	A *	6/1943	Bloch	.....	E03C 1/244
					4/687
2,374,642	A *	5/1945	Bloch	.....	E03C 1/244
					4/687
2,394,094	A *	2/1946	Nichol	.....	E03C 1/244
					4/680
2,560,954	A *	7/1951	Jackson	.....	E03C 1/244
					4/680
3,922,733	A *	12/1975	Lyon	.....	E03C 1/244
					4/680
4,135,260	A *	1/1979	Gresh	.....	E03C 1/244
					4/680

4,370,762 A \* 2/1983 Heil ..... E03C 1/22  
4/654

D307,046 S \* 4/1990 Burgess ..... E03C 1/244  
4/651

9,717,192 B1 \* 8/2017 Danner ..... A01G 31/00  
D873,970 S \* 1/2020 Park ..... E03C 1/244

2014/0259346 A1 \* 9/2014 Ball ..... E03C 1/264  
4/292

(Continued)

*Primary Examiner* — Calvin E Vansant

(57) **CLAIM**

The ornamental design for a device for maintaining a constant level of liquid in a sink or shower, as shown and described.

**DESCRIPTION**

FIG. 1 shows a top view with the cap removed of a device for maintaining a constant level of liquid in a sink or shower illustrating my new design;

FIG. 2 shows a side view thereof;

FIG. 3 shows a back view thereof;

FIG. 4 shows a top view of the removable cap;

FIG. 5 shows a cross-sectional view along the plane 5-5 indicated on FIG. 1;

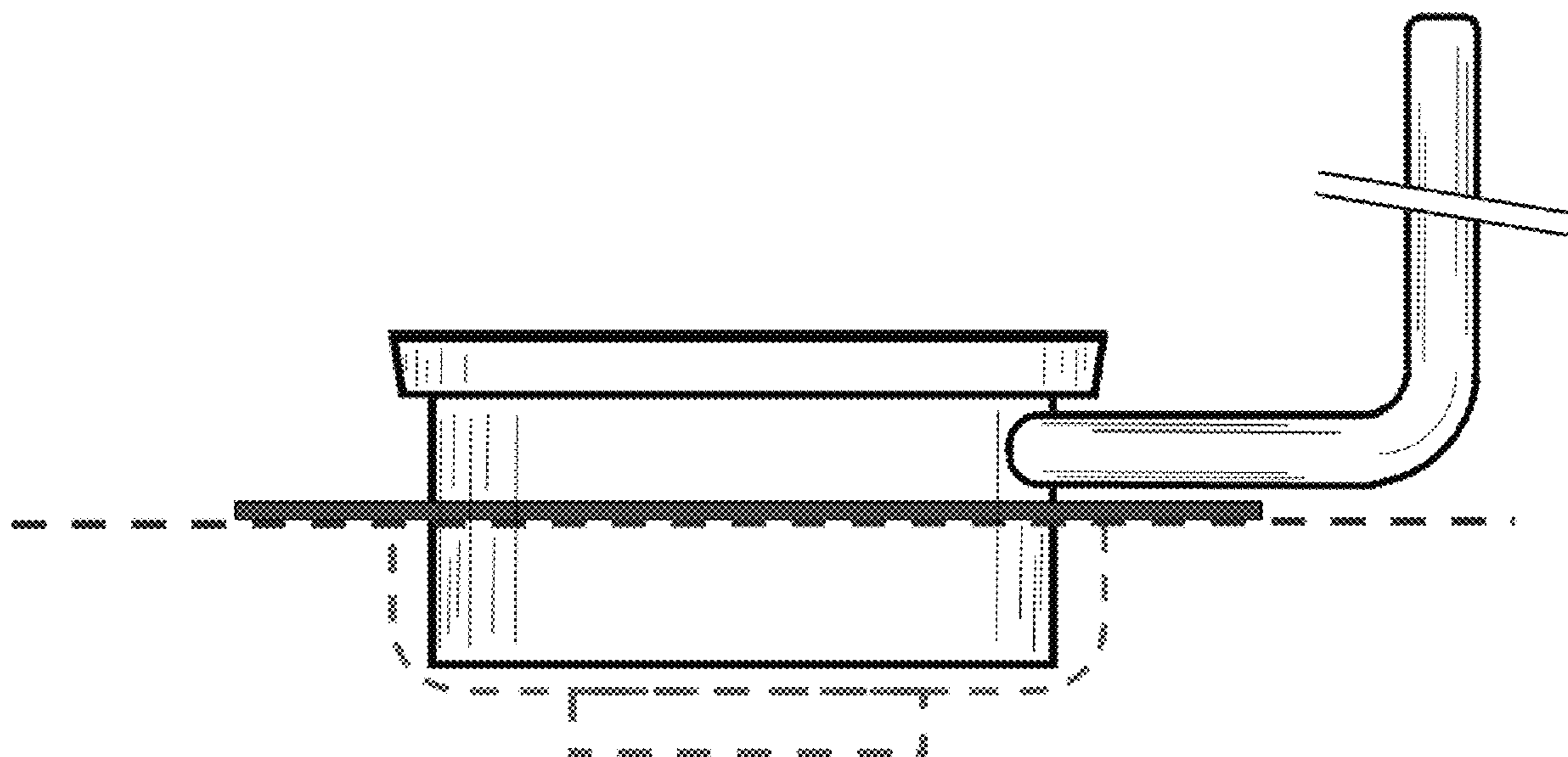
FIG. 6 shows a side view of the removable lid shown in FIG. 4;

FIG. 7 shows a bottom view of a device for maintaining a constant level of liquid in a sink or shower; and,

FIG. 8 shows a view of the device for maintaining a constant level of liquid in a sink or shower in use in a drain. In FIG. 8, the broken lines show environmental subject matter that forms no part of the claimed design.

The device for maintaining a constant level of liquid in a sink or shower is shown with a symbolic break in its length. The appearance of any portion of the article between the break lines forms no part of the claimed design.

**1 Claim, 3 Drawing Sheets**



(56)

**References Cited**

U.S. PATENT DOCUMENTS

2014/0366266 A1 \* 12/2014 Malaguit, Jr. .... E03C 1/244  
4/680

\* cited by examiner

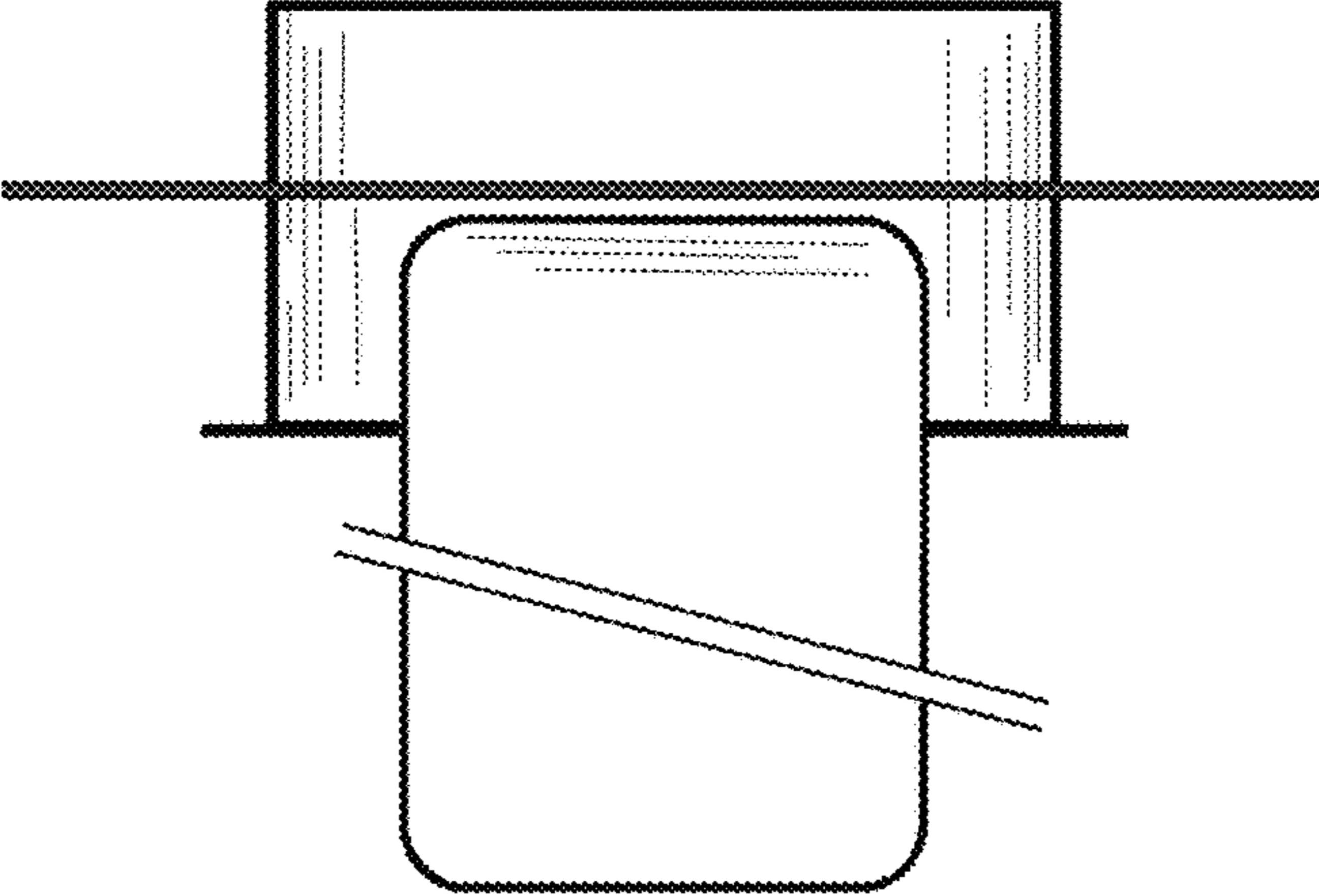


Fig. 3

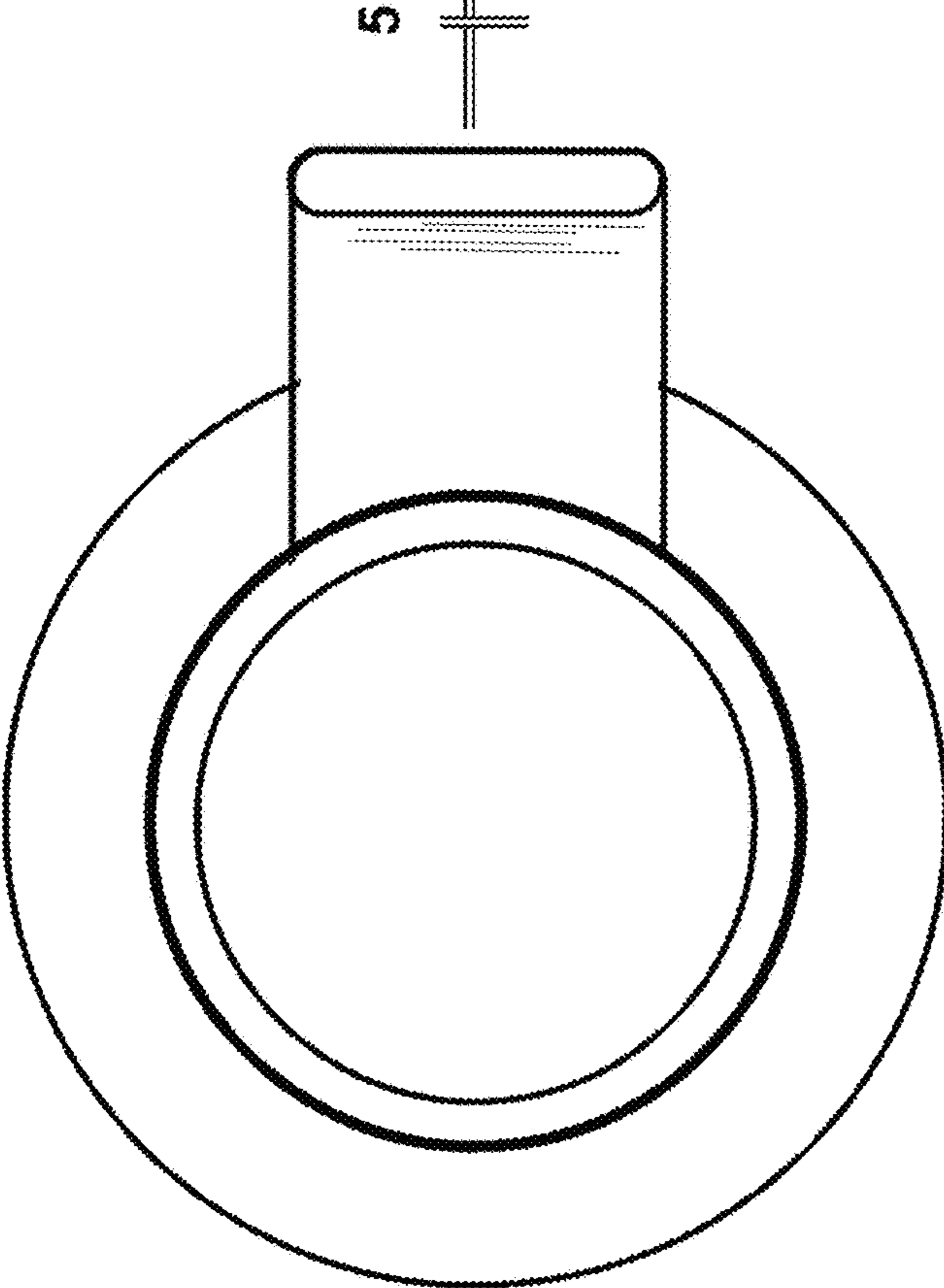


Fig. 1

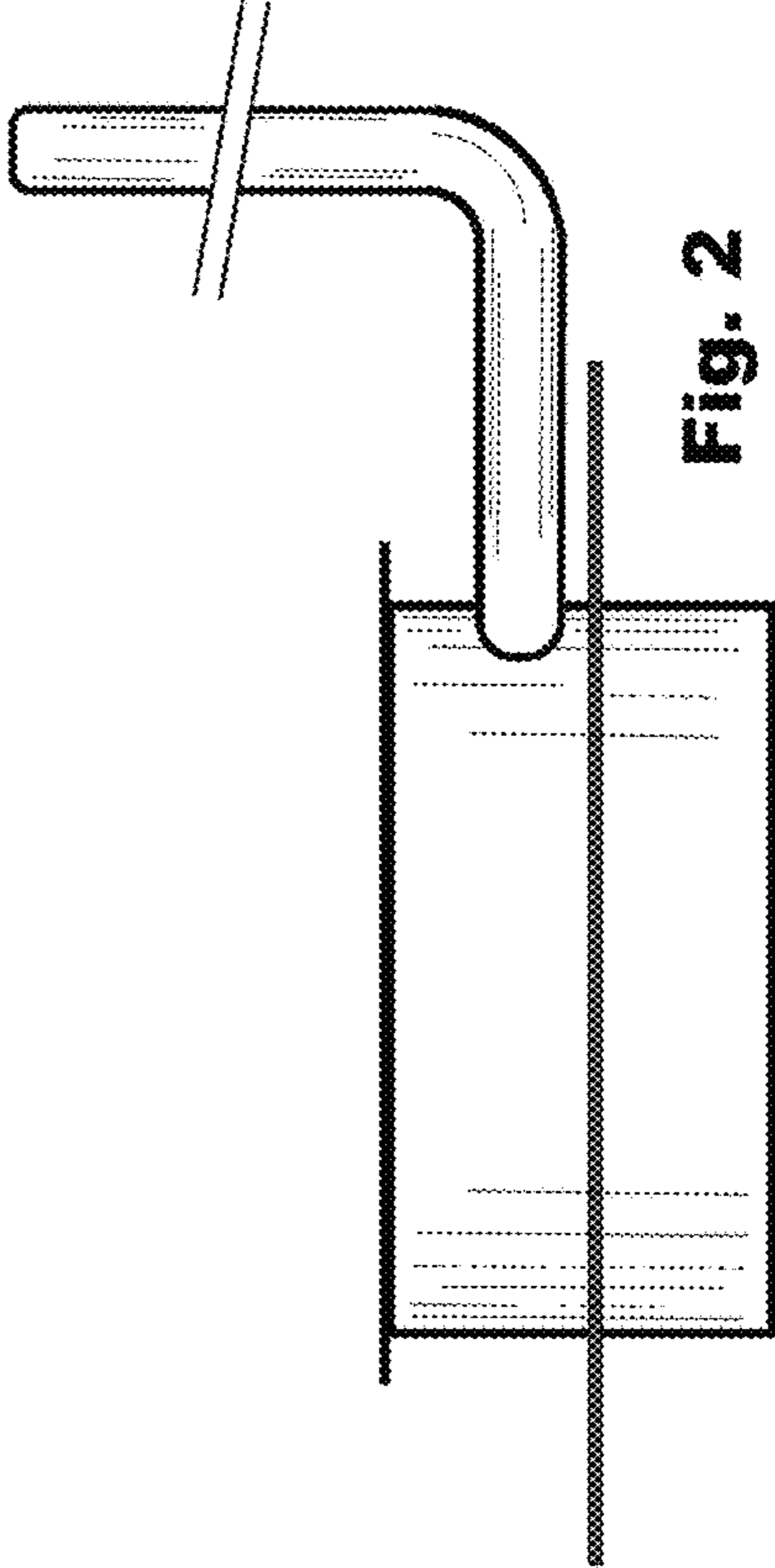
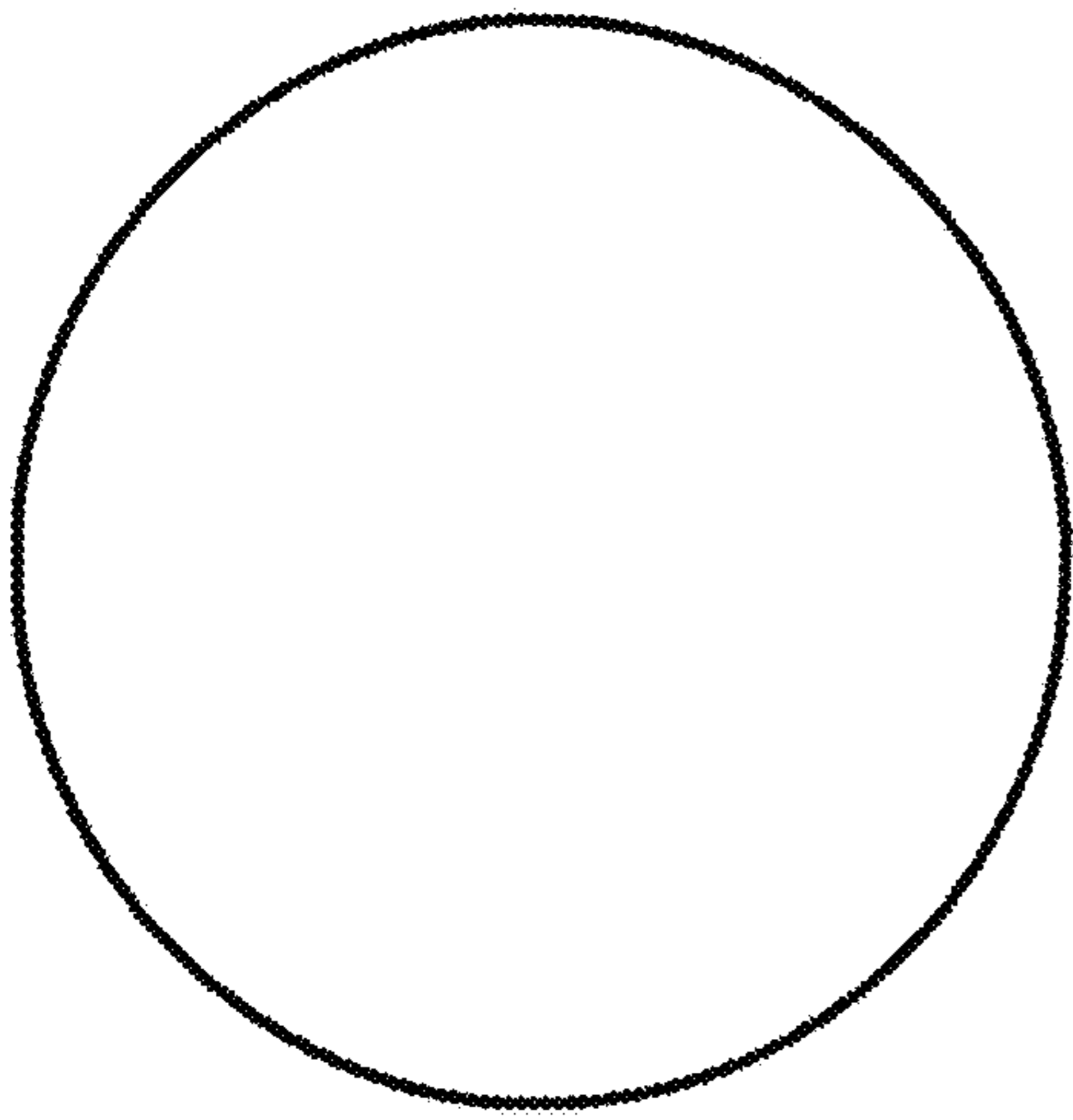
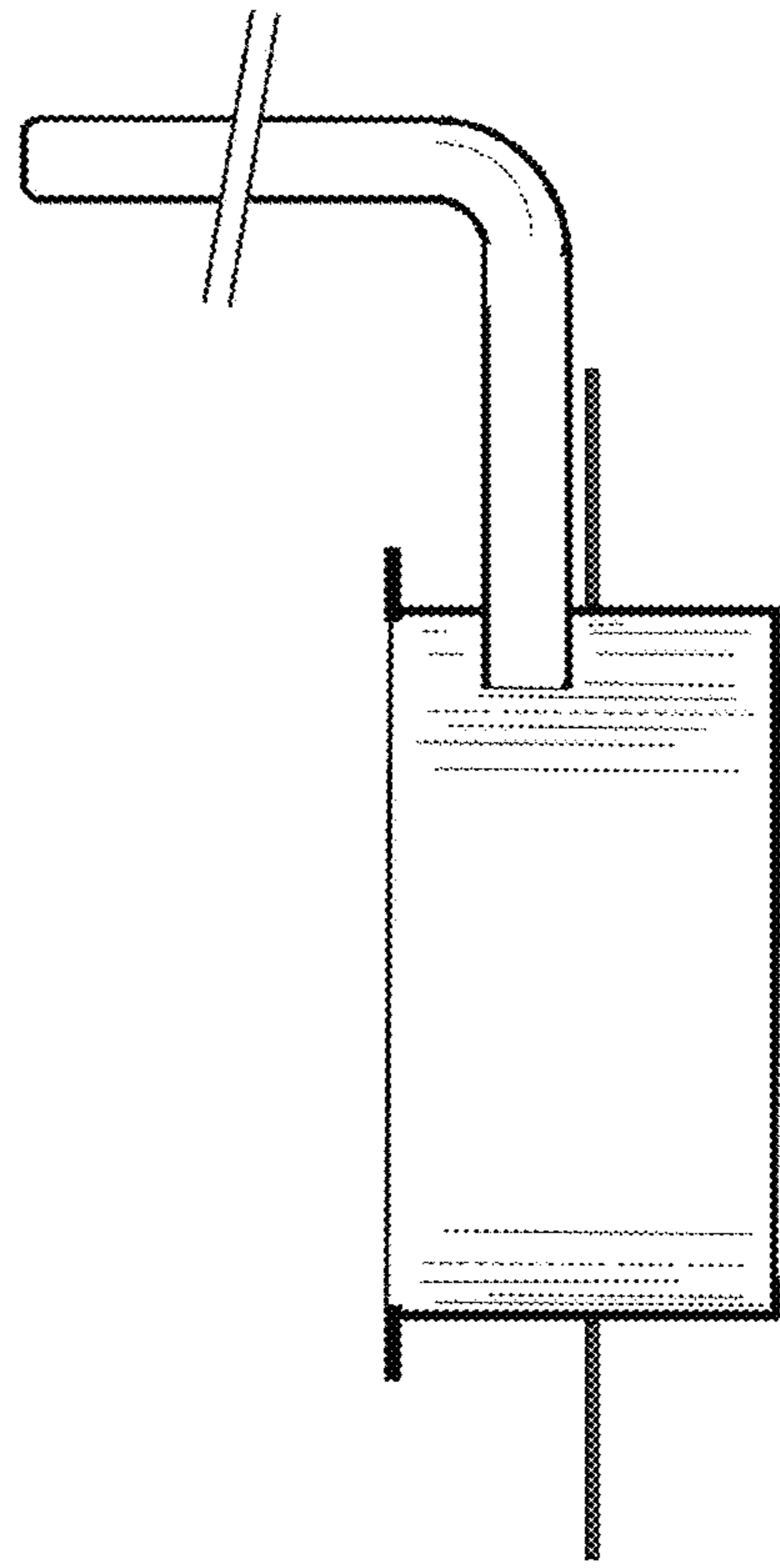


Fig. 2



**Fig. 4**



**Fig. 5**



**Fig. 6**

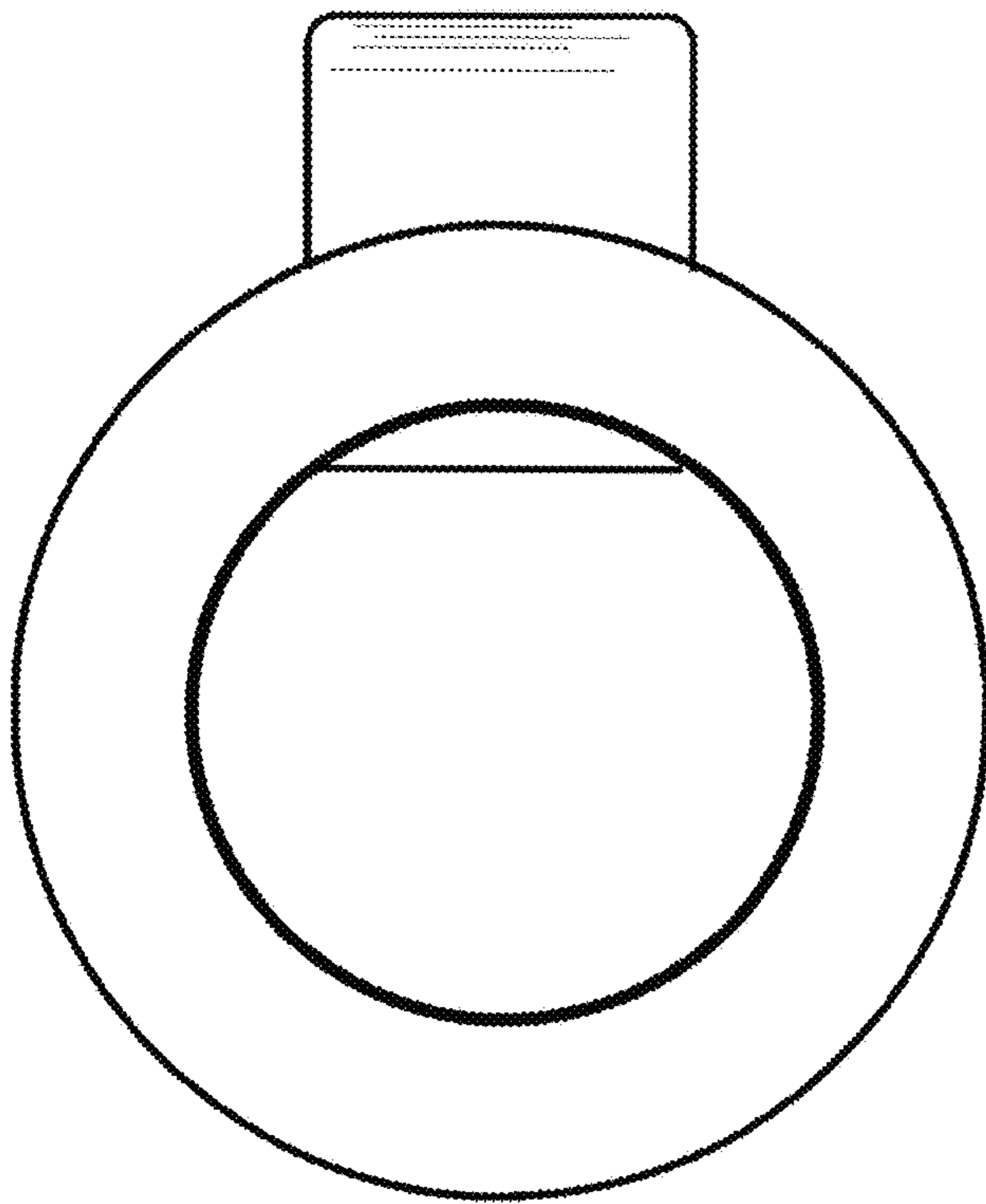


Fig. 7

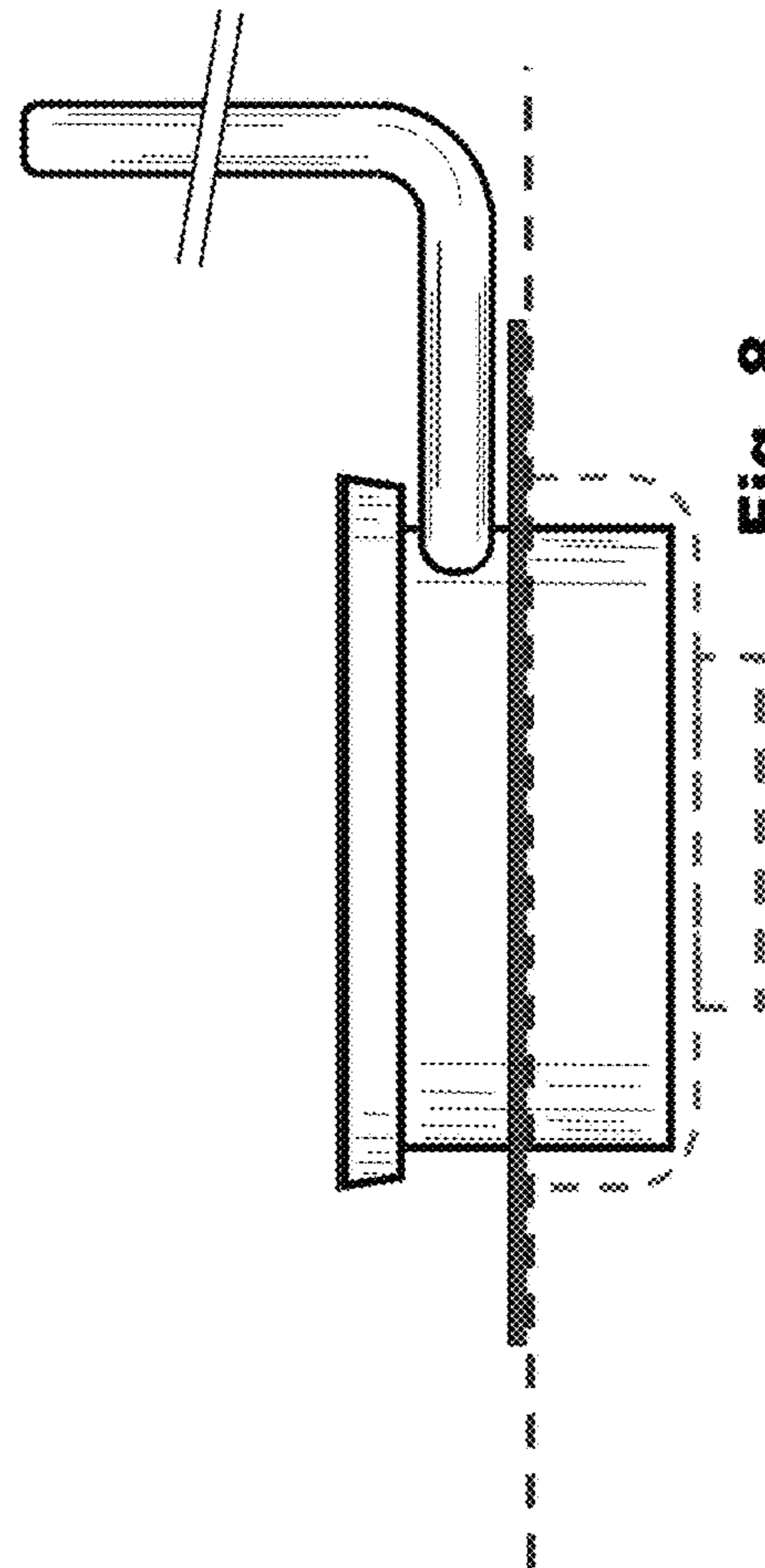


Fig. 8