



US00D950019S

(12) **United States Design Patent**
O'Brien et al.

(10) **Patent No.:** **US D950,019 S**
(45) **Date of Patent:** **** Apr. 26, 2022**

(54) **DISPENSER HOUSING**

(71) Applicant: **AC Avalanche LLC**, Valley View, OH (US)

(72) Inventors: **Stephen William O'Brien**, Fort Worth, TX (US); **Todd Michael Coleman**, The Colony, TX (US)

(73) Assignee: (US) **AC Avalanche LLC**, Valley View, OH

(**) Term: **15 Years**

(21) Appl. No.: **29/733,001**

(22) Filed: **Apr. 29, 2020**

(51) **LOC (13) Cl.** **23-01**

(52) **U.S. Cl.**
USPC **D23/249**

(58) **Field of Classification Search**

USPC D7/387, 391, 392, 392.1, 396.1, 396.2, D7/397, 398, 401.1, 415; D9/503, 504, D9/505, 516, 529, 548, 549, 434, 435, D9/436, 439, 440, 448, 453, 454, 726, D9/695, 696, 707, 708, 712, 447, 723, D9/724, 727; D19/115, 192, 194; D23/213, 226, 249, 255; D24/111, 112, D24/119, 127, 130, 141, 169, 193, 194, D24/196, 197, 199, 222, 224; D27/194
CPC B65D 47/103; B65D 43/0222; B65D 2543/00046; B65D 2543/00092; B65D 25/48; B65D 83/22; B65D 83/48; B65D 83/206; A47G 19/2272; B65B 1/04; B65B 29/06; B05B 11/3059; B05B 11/0027; B05B 11/0032; B05B 11/3004; B05B 11/3015; B05B 11/306; B05B 11/3064; G03B 11/041; F16M 11/08; A61J 1/06; A61J 1/065; A61J 1/2093; A61J 1/201

See application file for complete search history.

(56) **References Cited**

U.S. PATENT DOCUMENTS

6,105,831 A * 8/2000 Finezilber B65D 47/06
222/475
D464,395 S * 10/2002 Huang D23/226

D501,914 S * 2/2005 Chen D23/223
7,260,943 B2 8/2007 Carrubba et al.
D554,234 S * 10/2007 Chih D23/226
D595,575 S * 7/2009 Cichy D9/448
D718,624 S * 12/2014 Hanson D9/448

(Continued)

OTHER PUBLICATIONS

A/C Refrigerant with Smart Chip Dispenser: Site Visited [Mar. 23, 2021]. Available from Internet URL: <https://www.acavalanche.com/ag233/>.*

Primary Examiner — Catherine S Posthauer

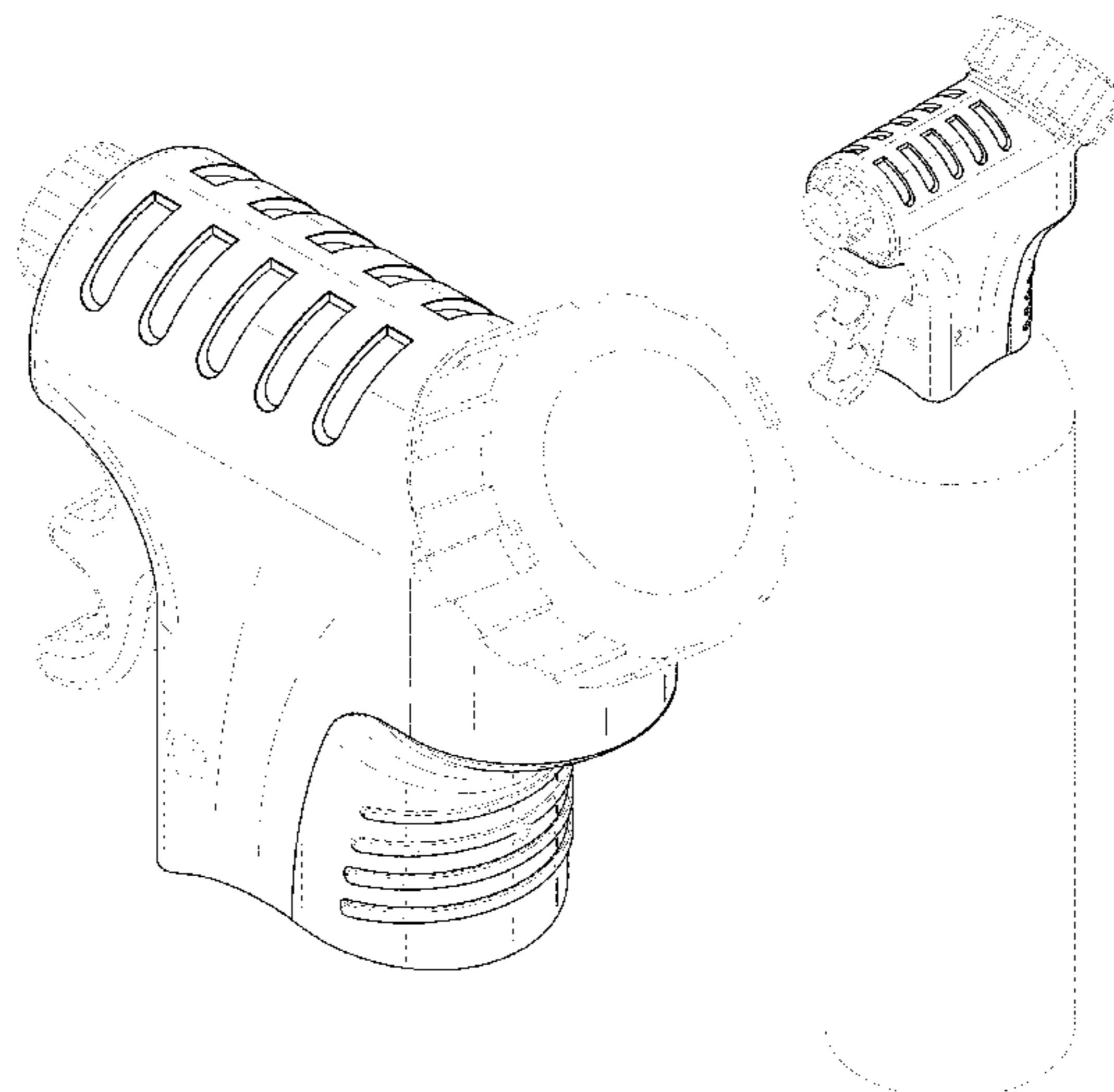
(57) **CLAIM**

The ornamental design for a dispenser housing, as shown and described.

DESCRIPTION

FIG. 1 is a front-left perspective view of a dispenser housing, showing our new design;
FIG. 2 is a front view thereof;
FIG. 3 is a back view thereof;
FIG. 4 is a right side view thereof;
FIG. 5 is a left side view thereof;
FIG. 6 is a top view thereof;
FIG. 7 is a bottom view thereof;
FIG. 8 is a back-left perspective view thereof; and,
FIG. 9 is a back-left perspective view thereof, shown in a position of use with an exemplary canister.
The features shown in broken lines are for the purpose of illustrating both portions of the article as well as exemplary environmental subject matter of a canister. None of the broken lines form part of the claimed design. Additionally, the internal surfaces of the recesses of the article form no part of the claimed design.

1 Claim, 7 Drawing Sheets



(56)

References Cited

U.S. PATENT DOCUMENTS

D787,326 S *	5/2017	Hanson	D9/448
D796,322 S *	9/2017	Hanson	D9/448
D829,099 S *	9/2018	Collinson	D9/448
10,173,492 B2	1/2019	Quest	
D873,149 S *	1/2020	Gooden	D9/685

* cited by examiner

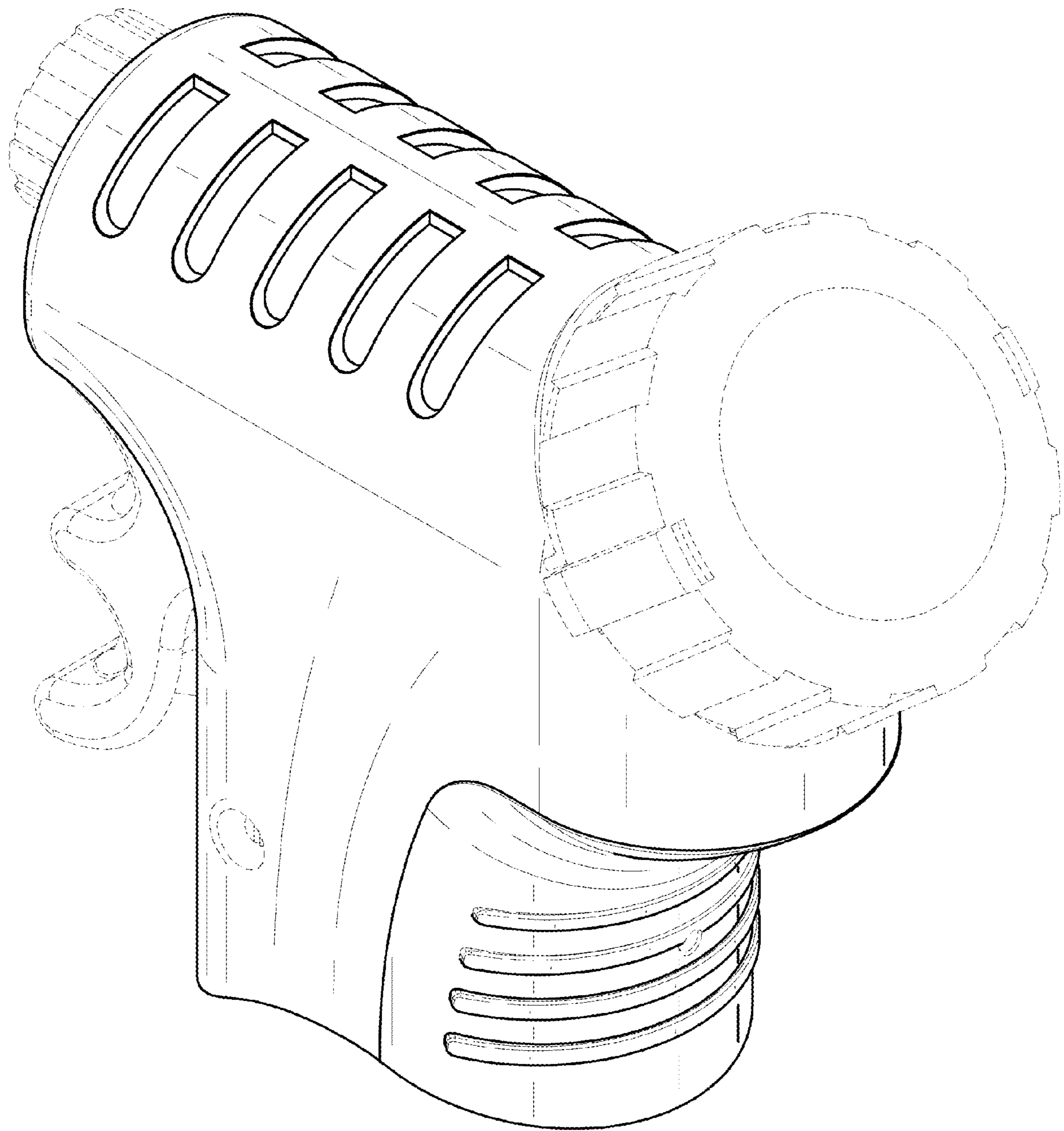


FIG. 1

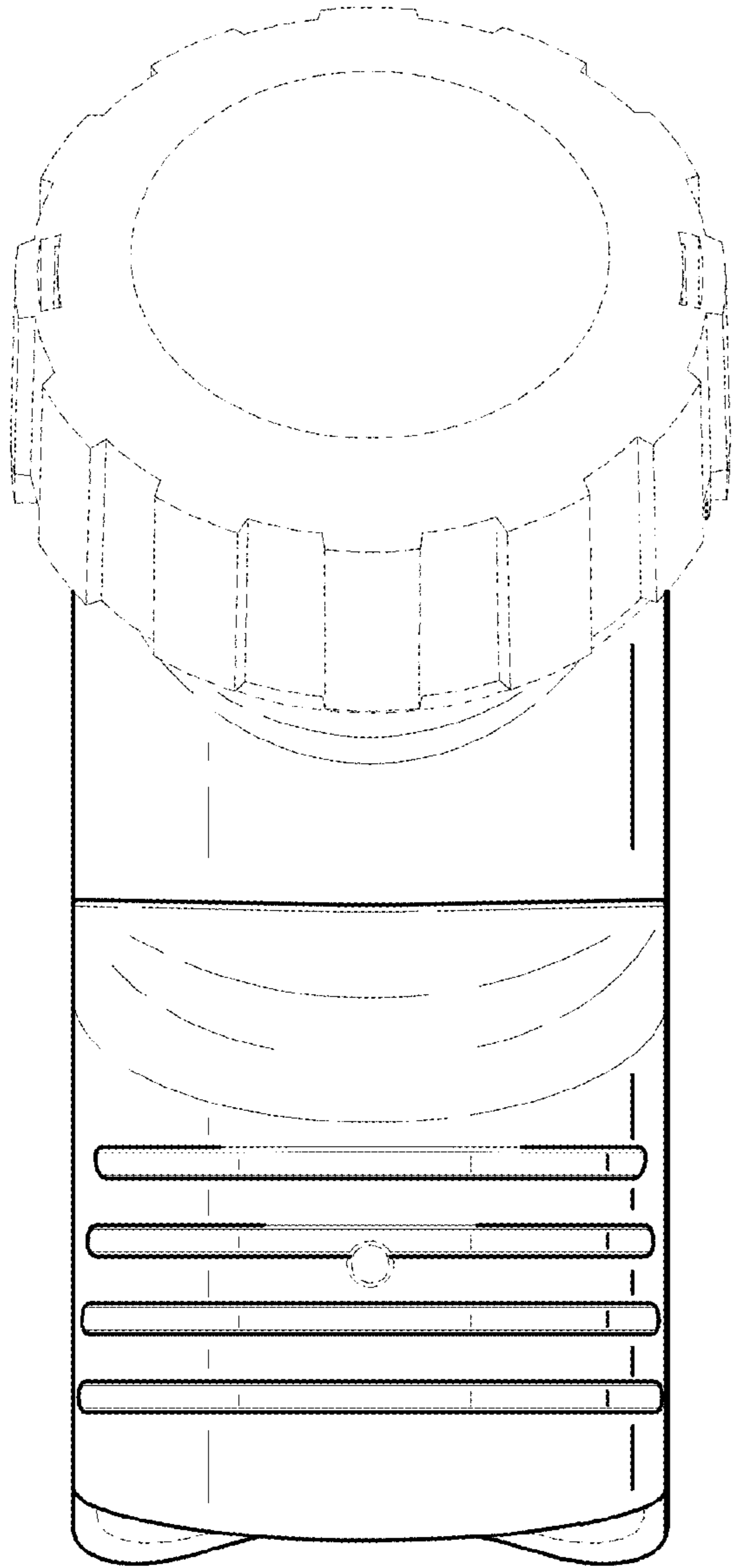


FIG. 2

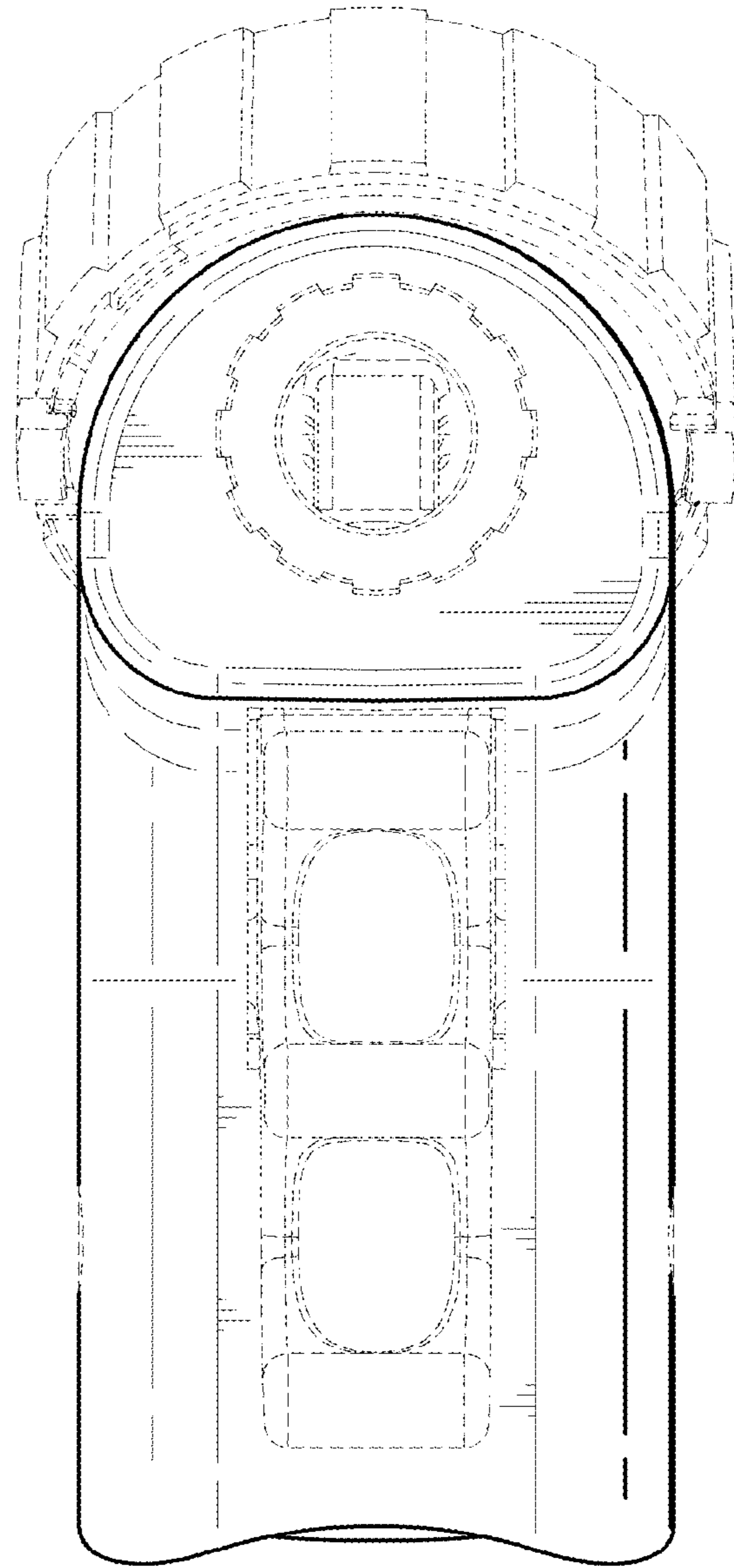


FIG. 3

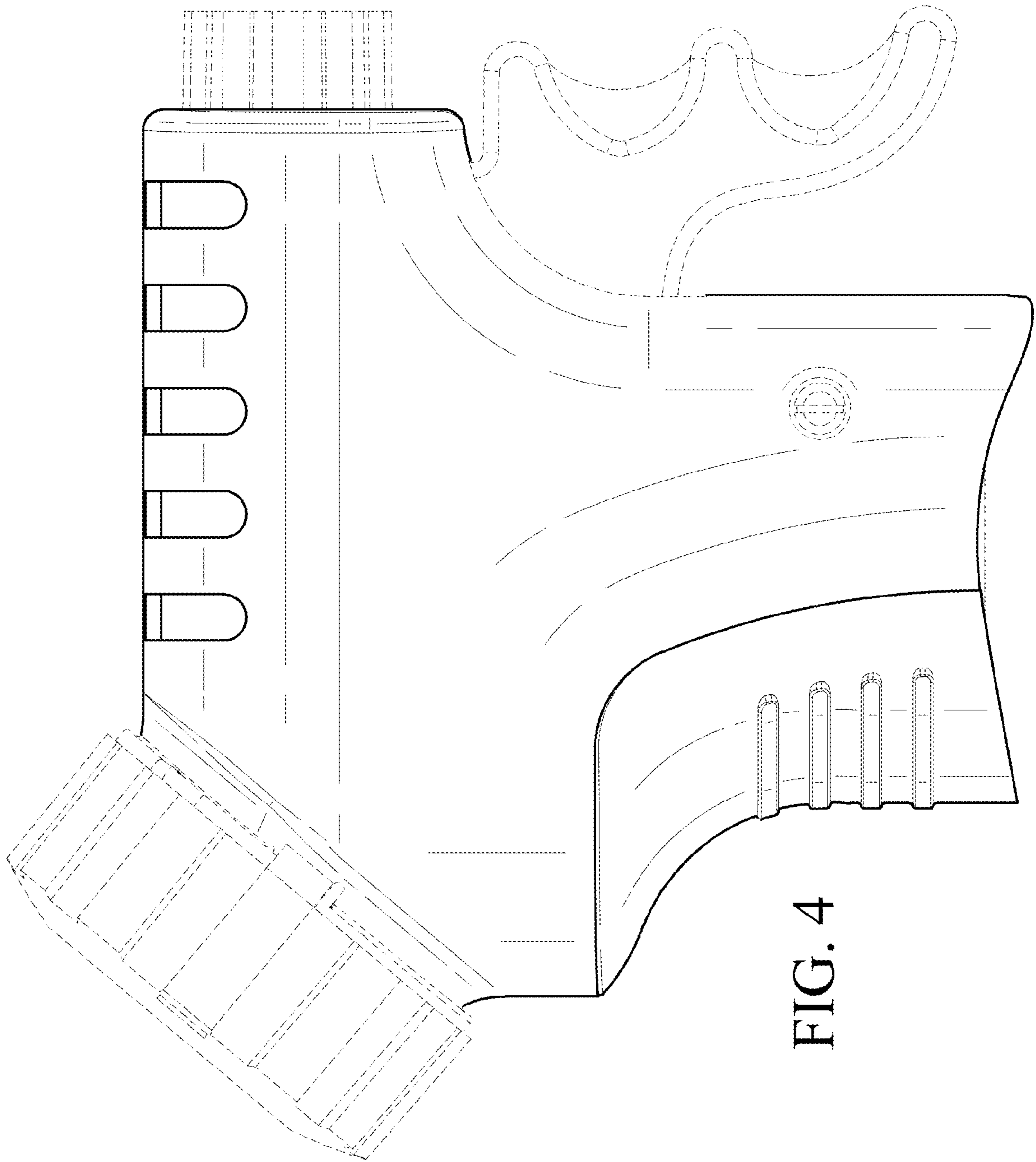


FIG. 4

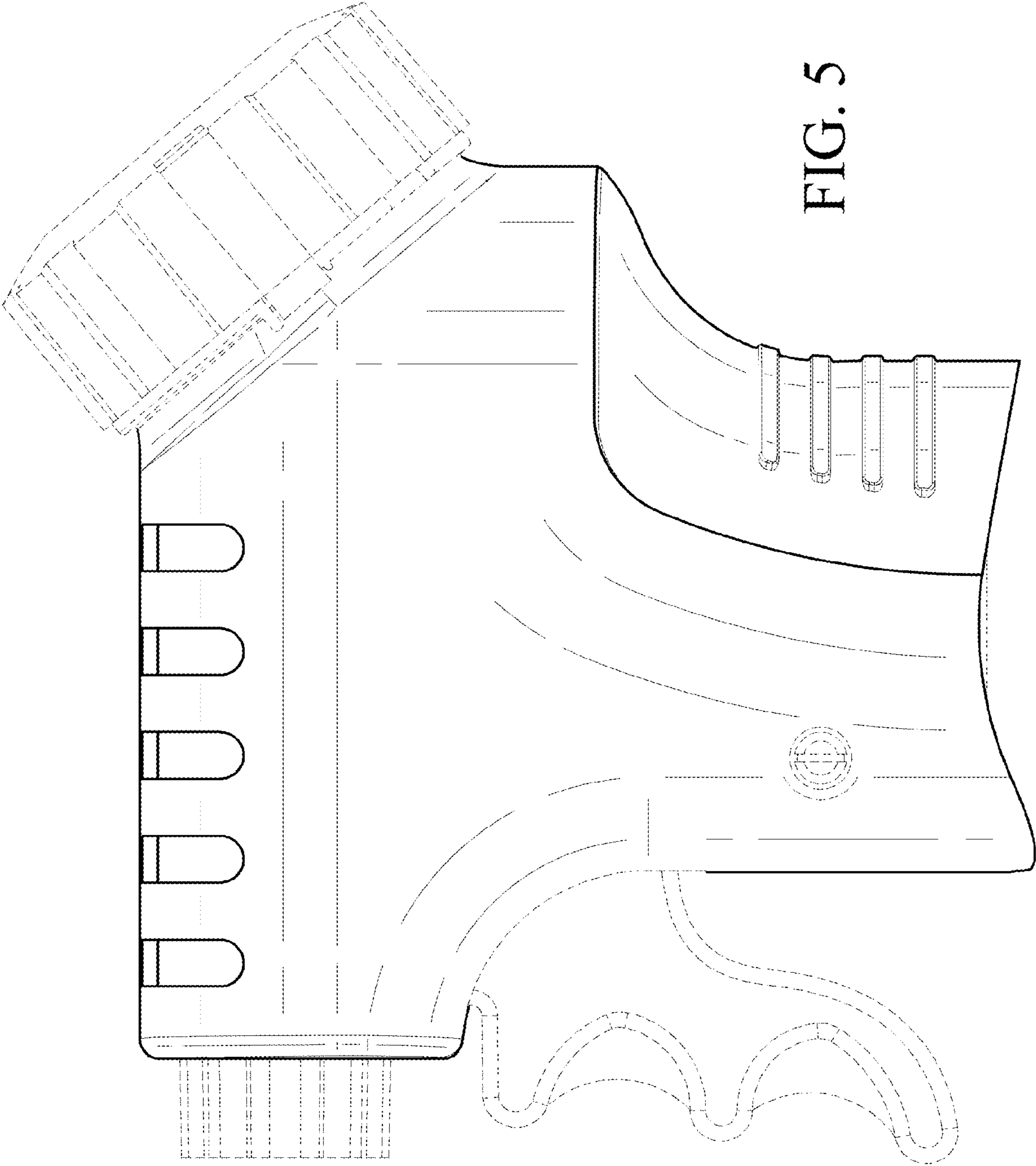


FIG. 5

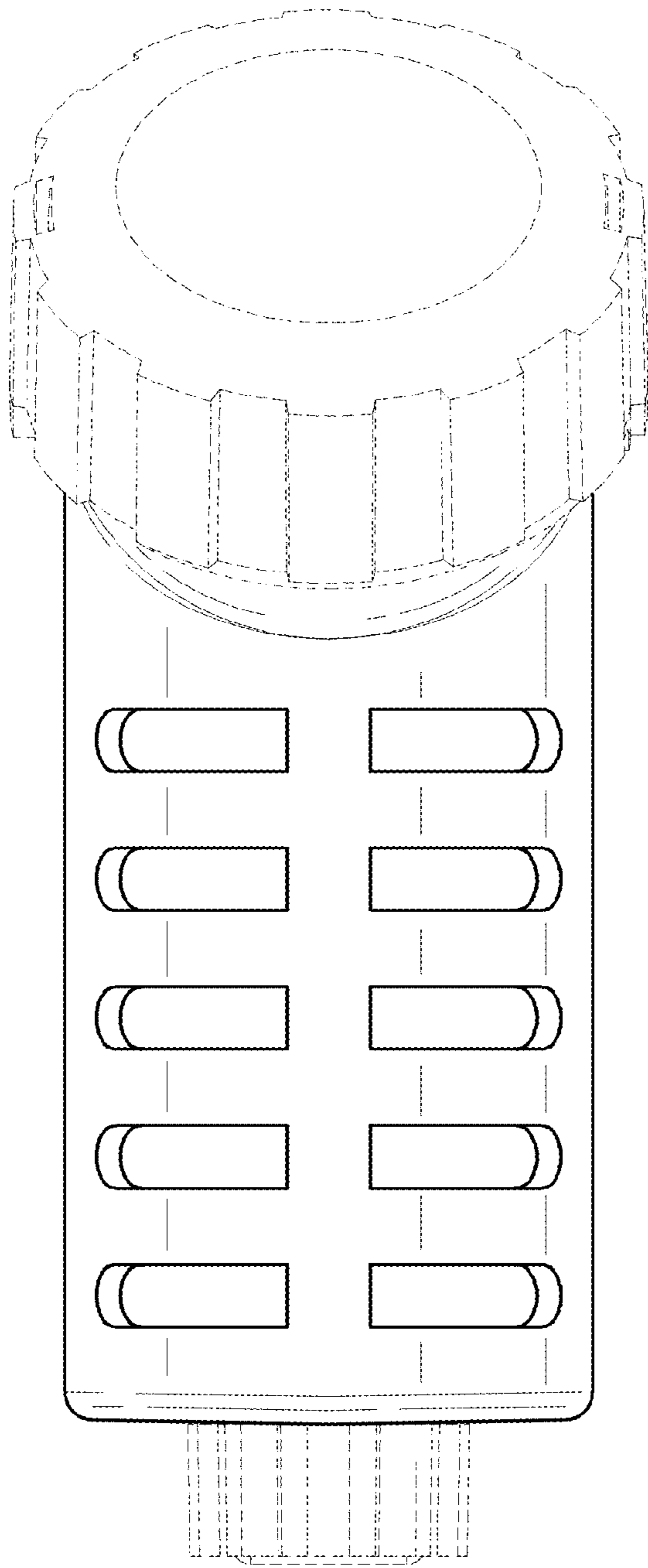


FIG. 6

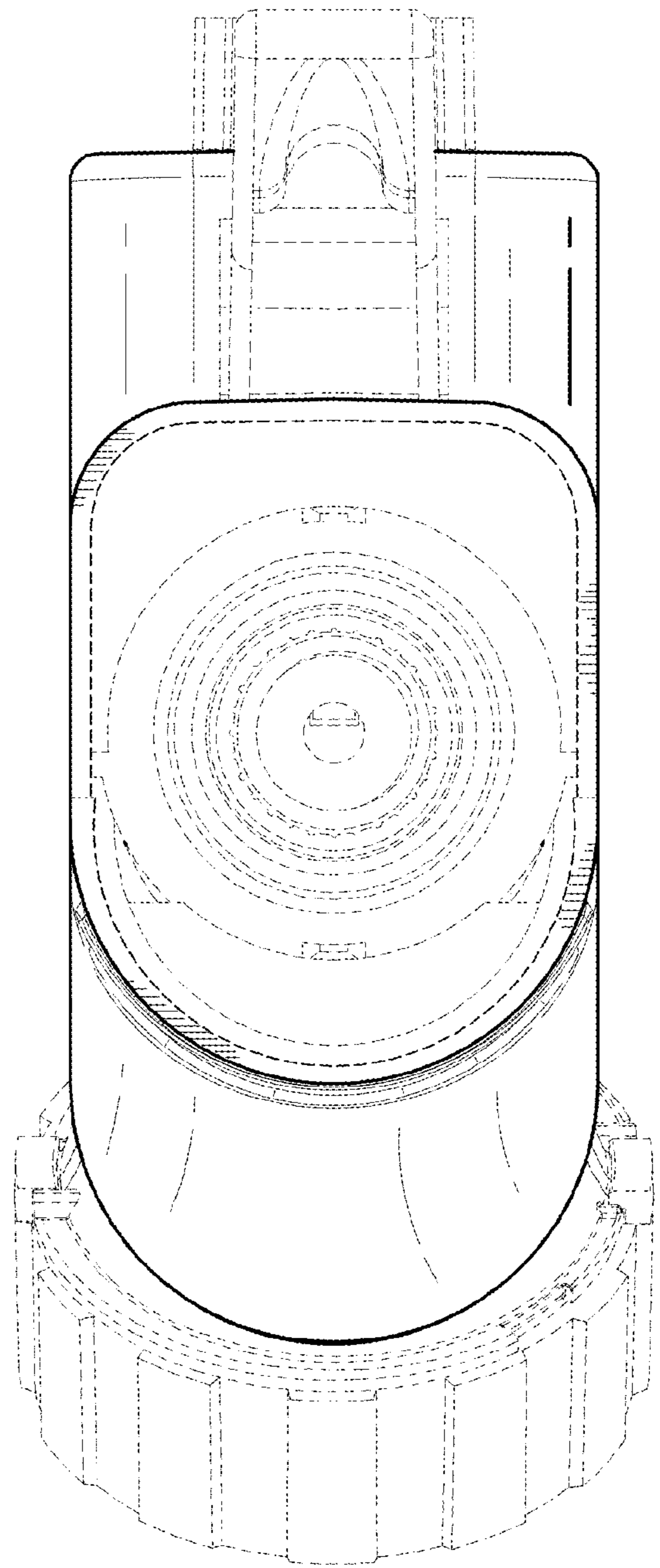


FIG. 7

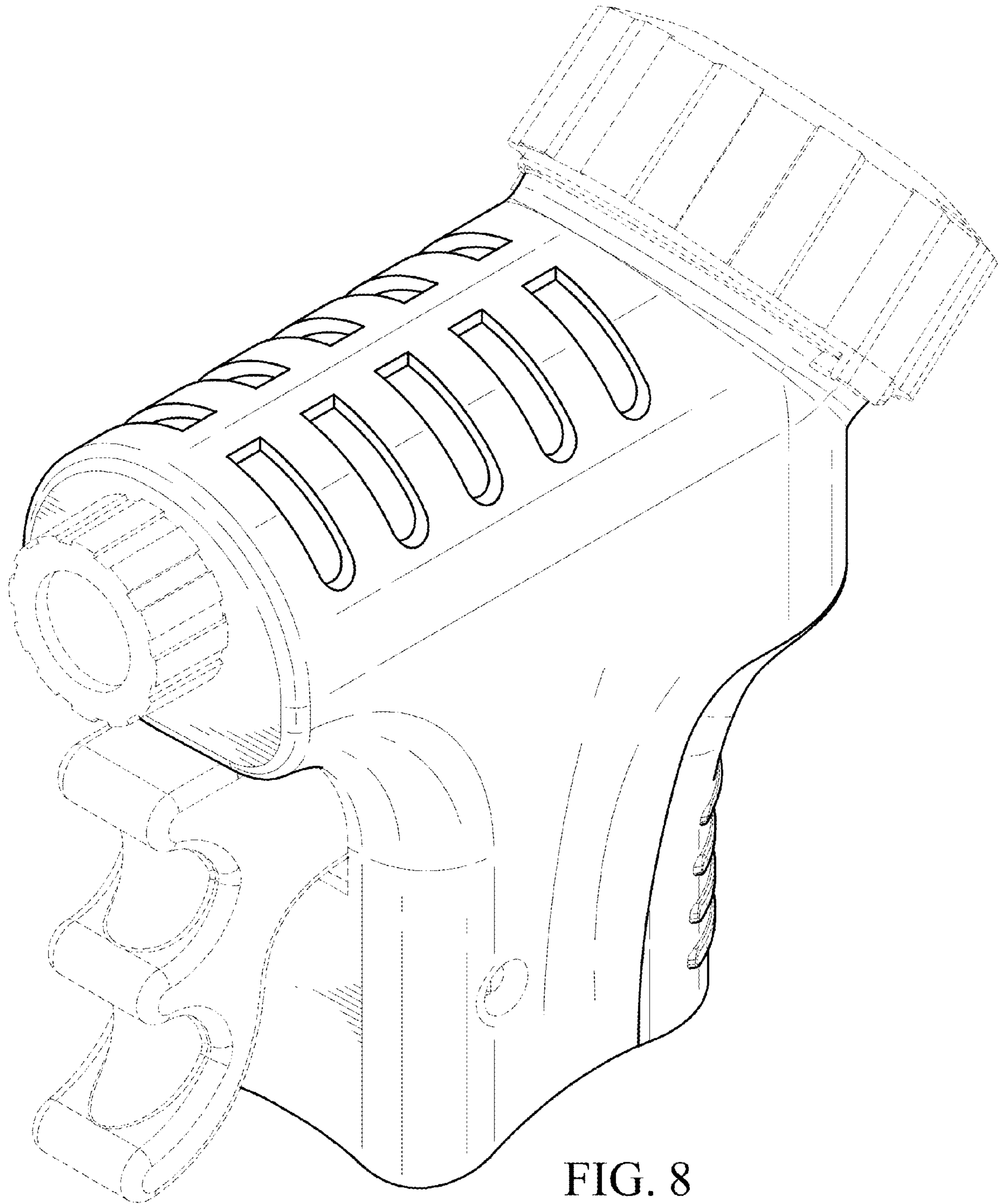


FIG. 8

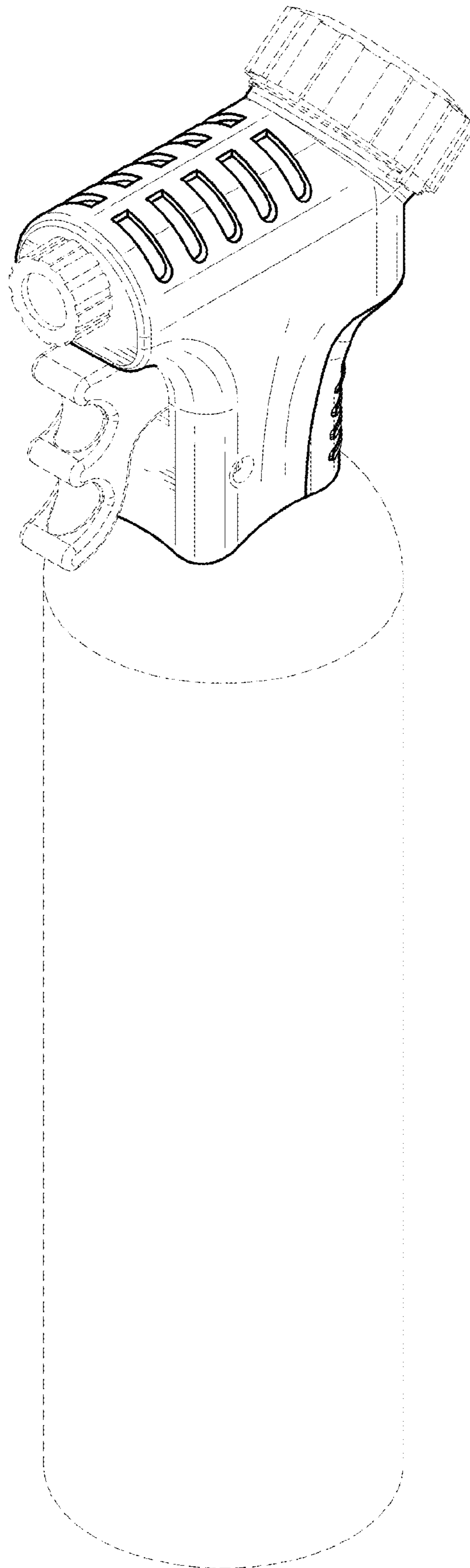


FIG. 9