



US00D950018S

(12) **United States Design Patent** (10) **Patent No.:** **US D950,018 S**  
**Stoler** (45) **Date of Patent:** **\*\* Apr. 26, 2022**

(54) **FAUCET**

FOREIGN PATENT DOCUMENTS

(71) Applicant: **DELTA FAUCET COMPANY,**  
Indianapolis, IN (US)

CN 303267518 \* 1/2015

(72) Inventor: **Benjamin Stoler,** Carmel, IN (US)

OTHER PUBLICATIONS

(73) Assignee: **DELTA FAUCET COMPANY,**  
Indianapolis, IN (US)

Lampard Two Handle Widespread Bathroom Faucet, announced Date unavailable[online], [site visited Feb. 23, 2021]. Available from internet, URL:<<https://www.deltafaucet.com/bathroom/product/35764LF-SPPD.html>> (Year: 2021).\*

(\*\*) Term: **15 Years**

Pfister Ladera 8 in. Widespread 2-Handle Bathroom Faucet, announced Aug. 5, 2017[online], [site visited Feb. 24, 2021]. Available from internet, URL:<[https://www.amazon.com/Pfister-Ladera-Widespread-2-Handle-Bathroom/dp/B01N1MC81J/ref=psdc\\_6808092011\\_t4\\_B01KG50MIE](https://www.amazon.com/Pfister-Ladera-Widespread-2-Handle-Bathroom/dp/B01N1MC81J/ref=psdc_6808092011_t4_B01KG50MIE)> (Year: 2017).\*

(21) Appl. No.: **29/718,691**

(22) Filed: **Dec. 27, 2019**

\* cited by examiner

(51) **LOC (13) Cl.** ..... **23-01**

(52) **U.S. Cl.**  
USPC ..... **D23/242**

(58) **Field of Classification Search**  
USPC ..... D23/238-244, 252, 254-255, 257;  
D8/307-308  
CPC .... F16K 31/602; F16K 31/605; F16K 31/607;  
E03C 1/0412

See application file for complete search history.

*Primary Examiner* — Barbara Fox

*Assistant Examiner* — Jamaal Rasheed

(74) *Attorney, Agent, or Firm* — Nirav D. Parikh; Edgar A. Zarins

(57) **CLAIM**

The ornamental design for a faucet, as shown and described.

**DESCRIPTION**

(56) **References Cited**

U.S. PATENT DOCUMENTS

D285,597 S	*	9/1986	Miller	.....	D23/242
D469,159 S	*	1/2003	Marshall	.....	D23/242
D469,507 S	*	1/2003	Marshall	.....	D23/242
D469,508 S	*	1/2003	Marshall	.....	D23/242
D469,509 S	*	1/2003	Marshall	.....	D23/242
D469,510 S	*	1/2003	Marshall	.....	D23/242
D532,085 S	*	11/2006	Svendsen	.....	D23/241
D606,169 S	*	12/2009	Lammel	.....	D23/242
D680,624 S	*	4/2013	Romero	.....	D23/242
D823,991 S	*	7/2018	Schaubach	.....	D23/242
D904,569 S	*	12/2020	Pan	.....	D23/242

FIG. 1 is a front perspective view of a faucet showing my new design;

FIG. 2 is a rear perspective view thereof;

FIG. 3 is a front elevational view thereof;

FIG. 4 is a left side view thereof;

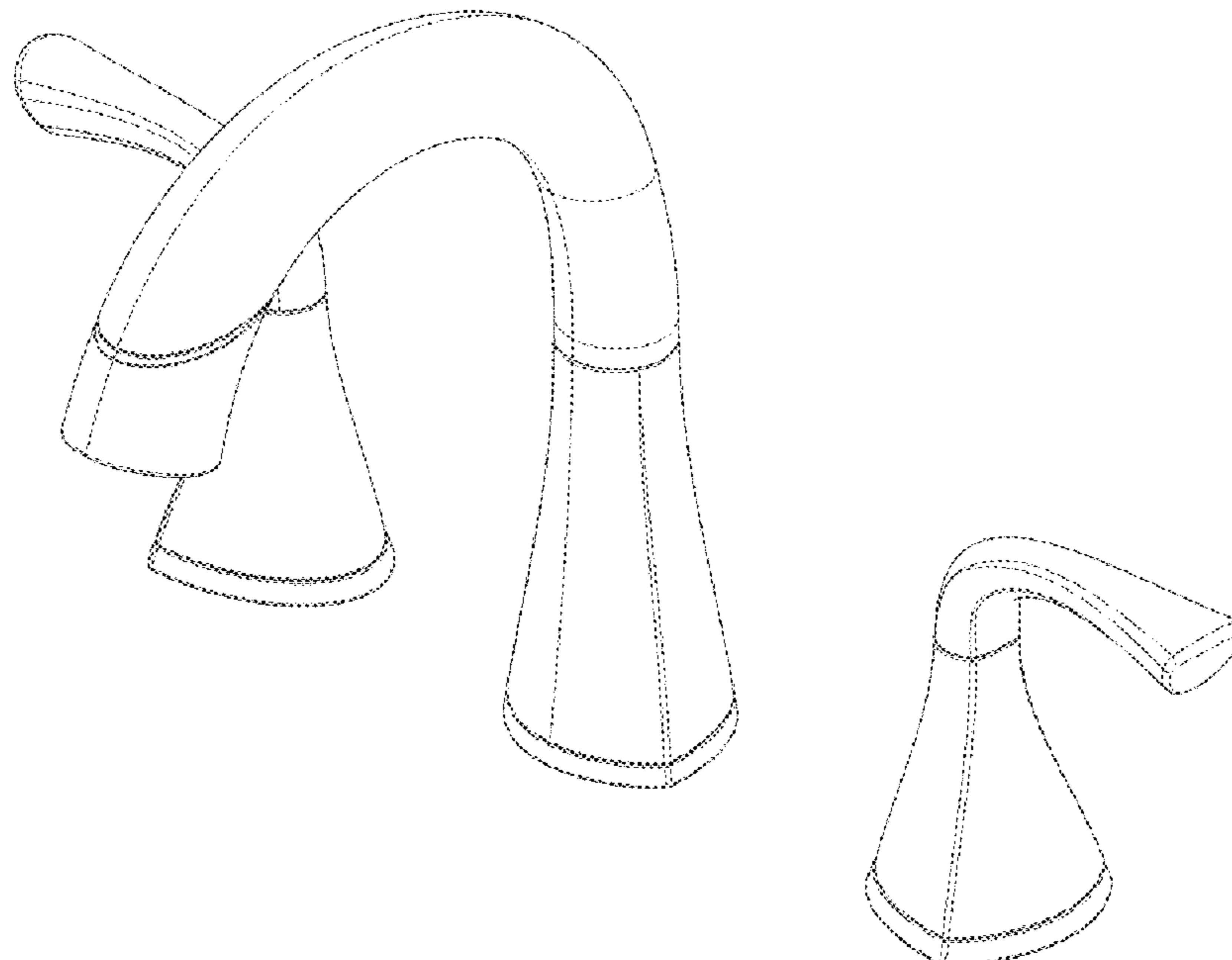
FIG. 5 is a rear view thereof;

FIG. 6 is a right side view thereof; and,

FIG. 7 is a top plan view thereof.

The broken lines shown in the drawings depict portions of the faucet that form no part of the claimed design.

**1 Claim, 4 Drawing Sheets**



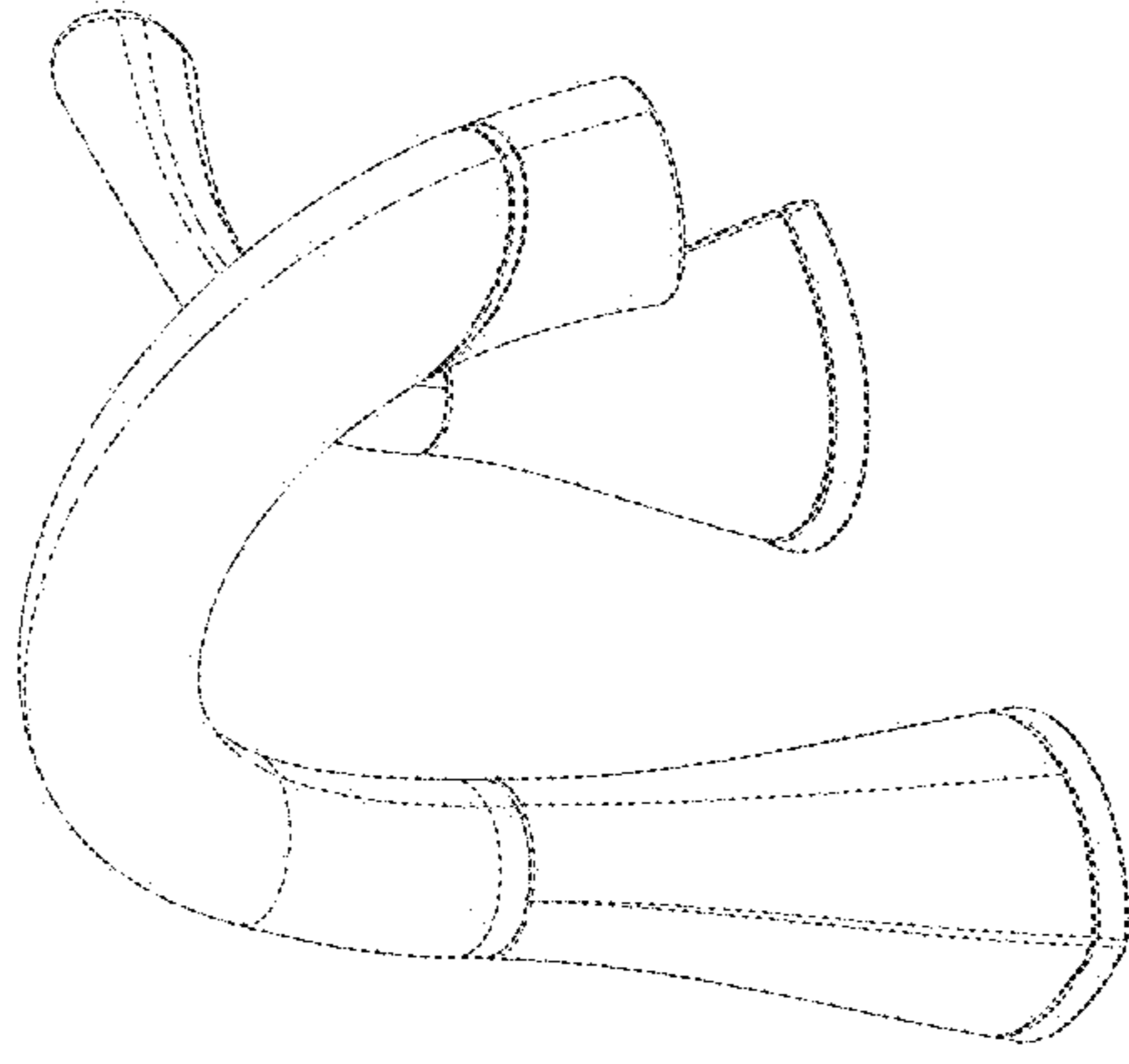


FIG - 2

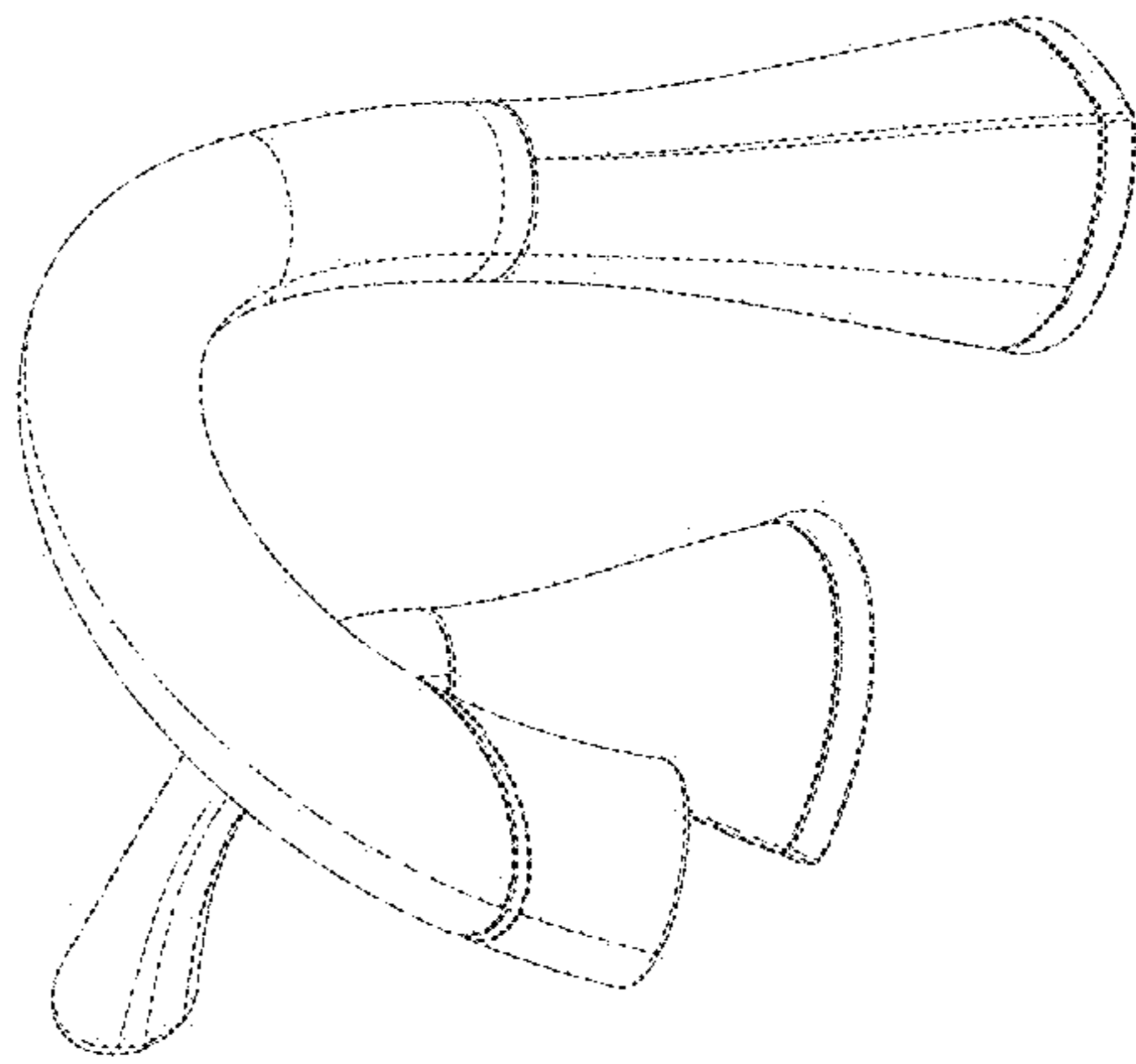
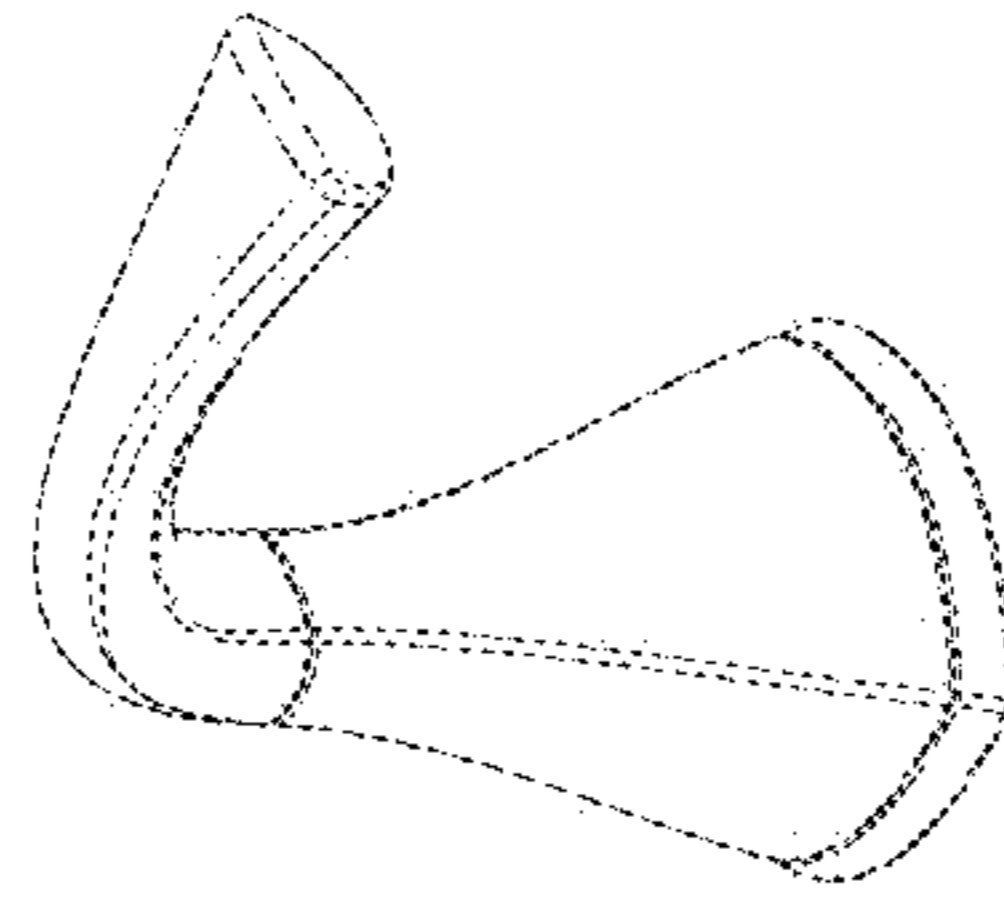
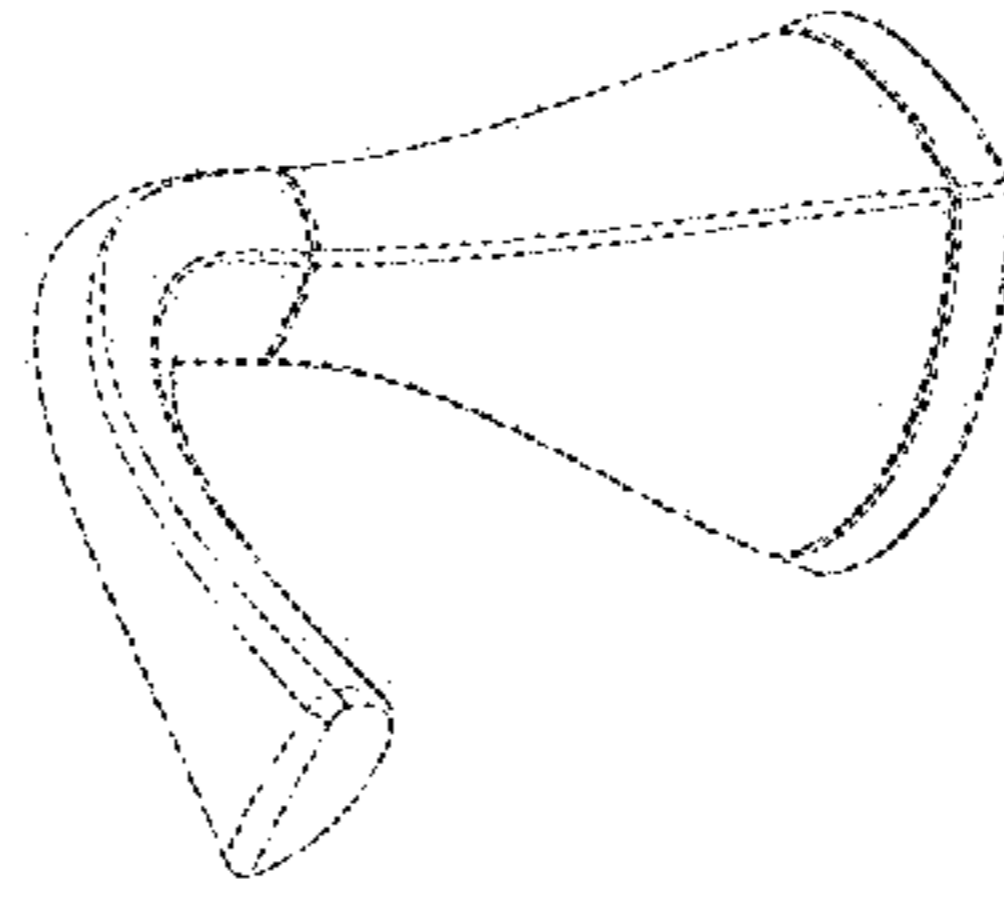


FIG - 1

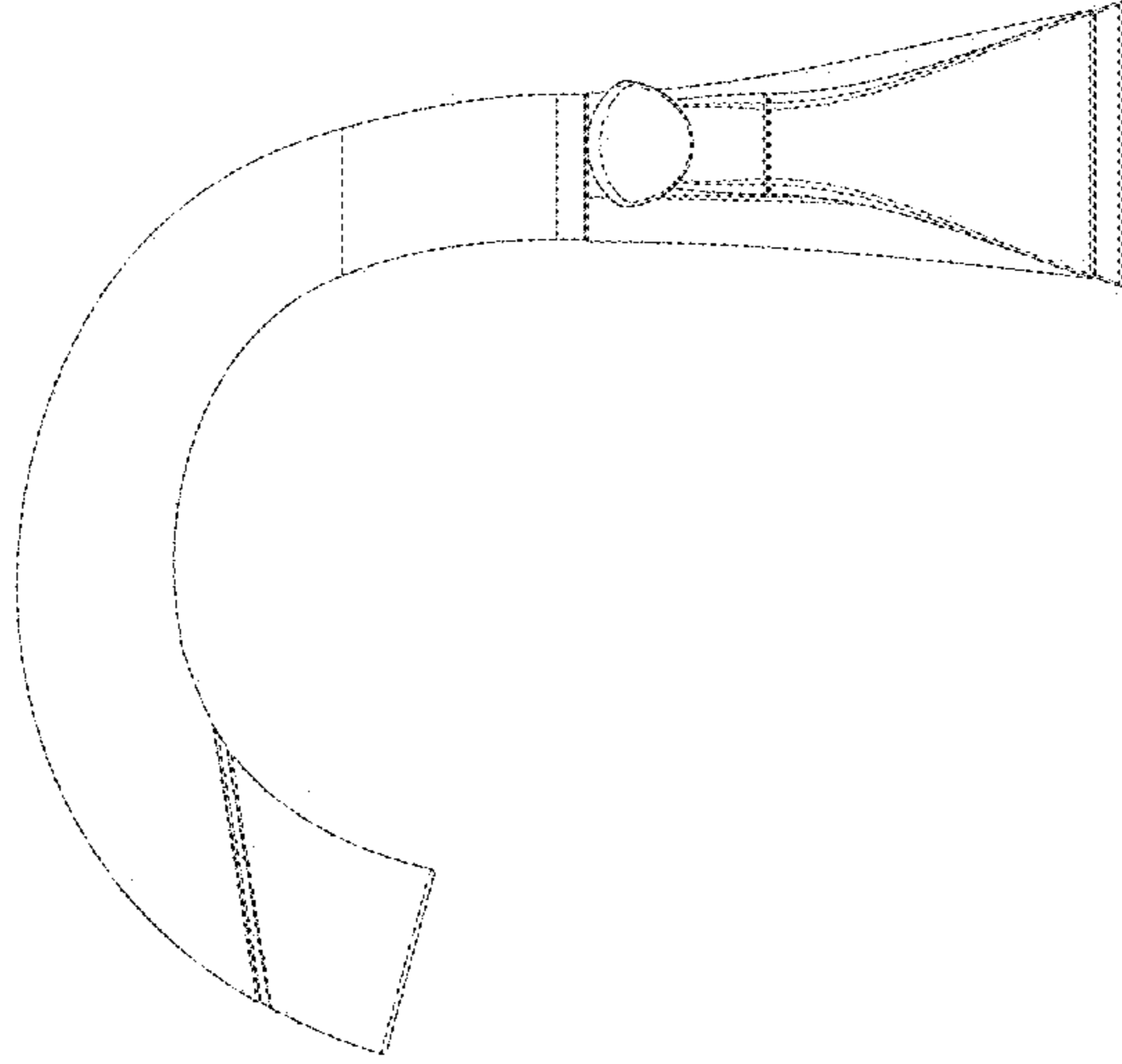


FIG - 4

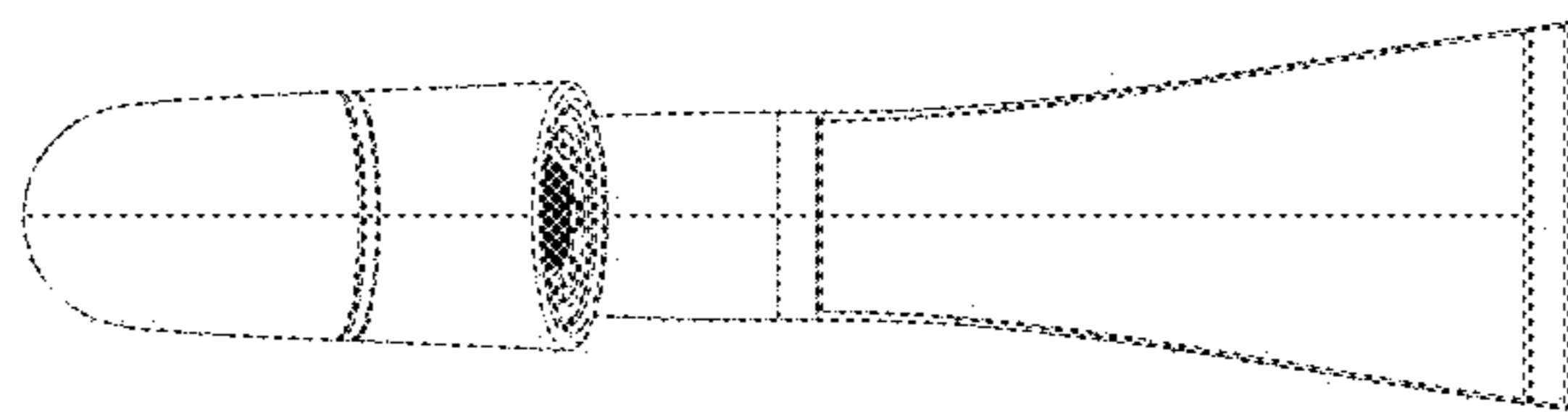
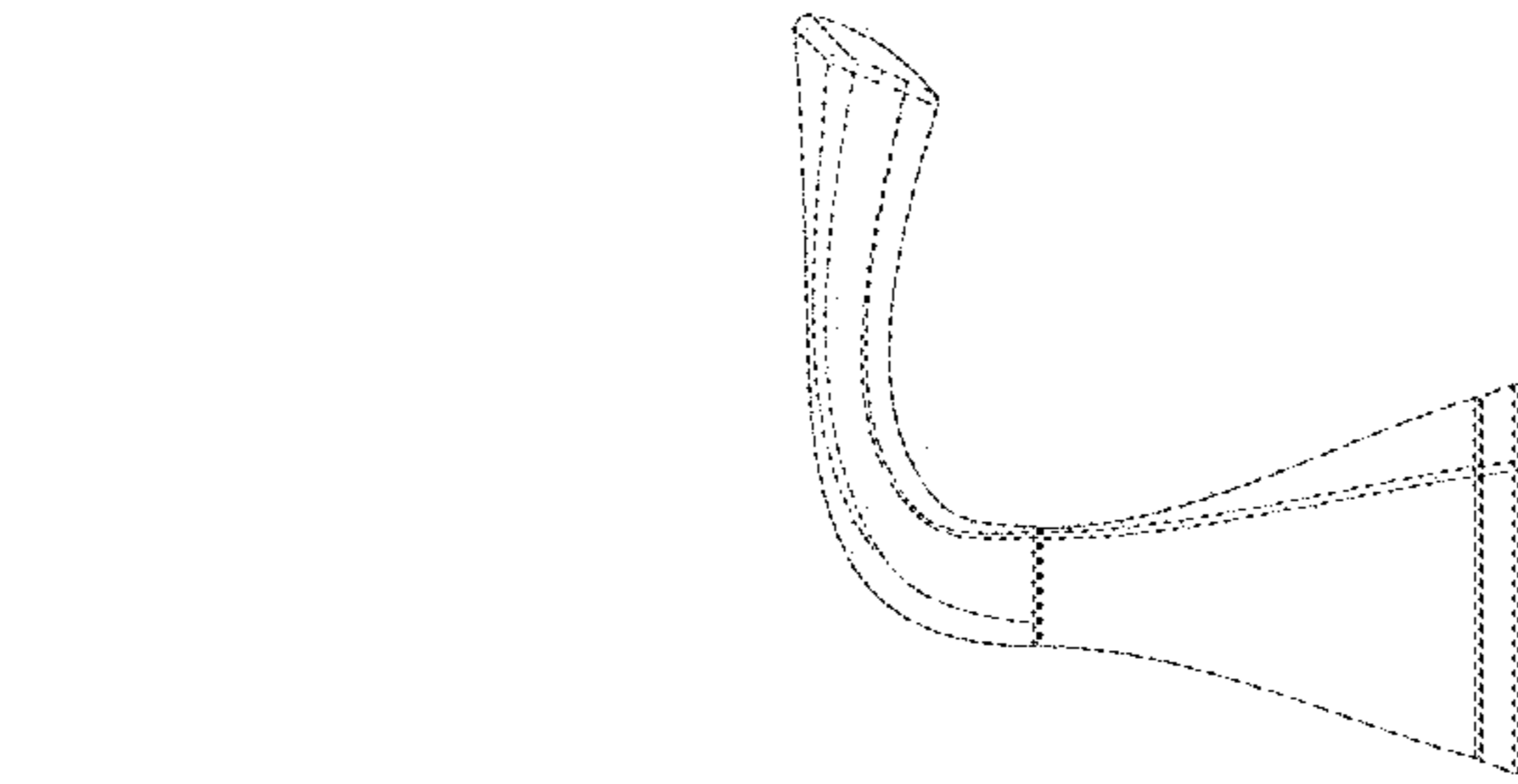
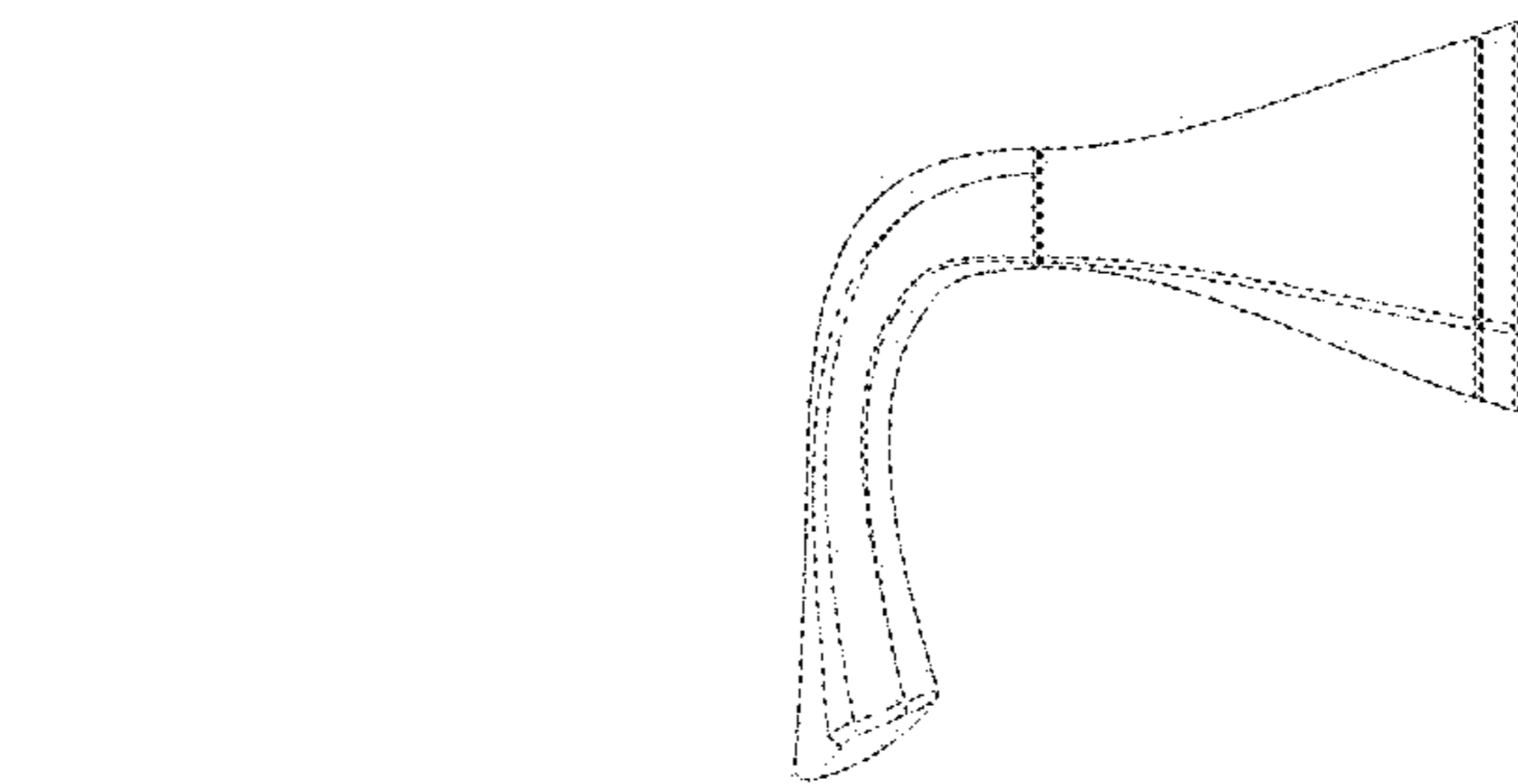


FIG - 3



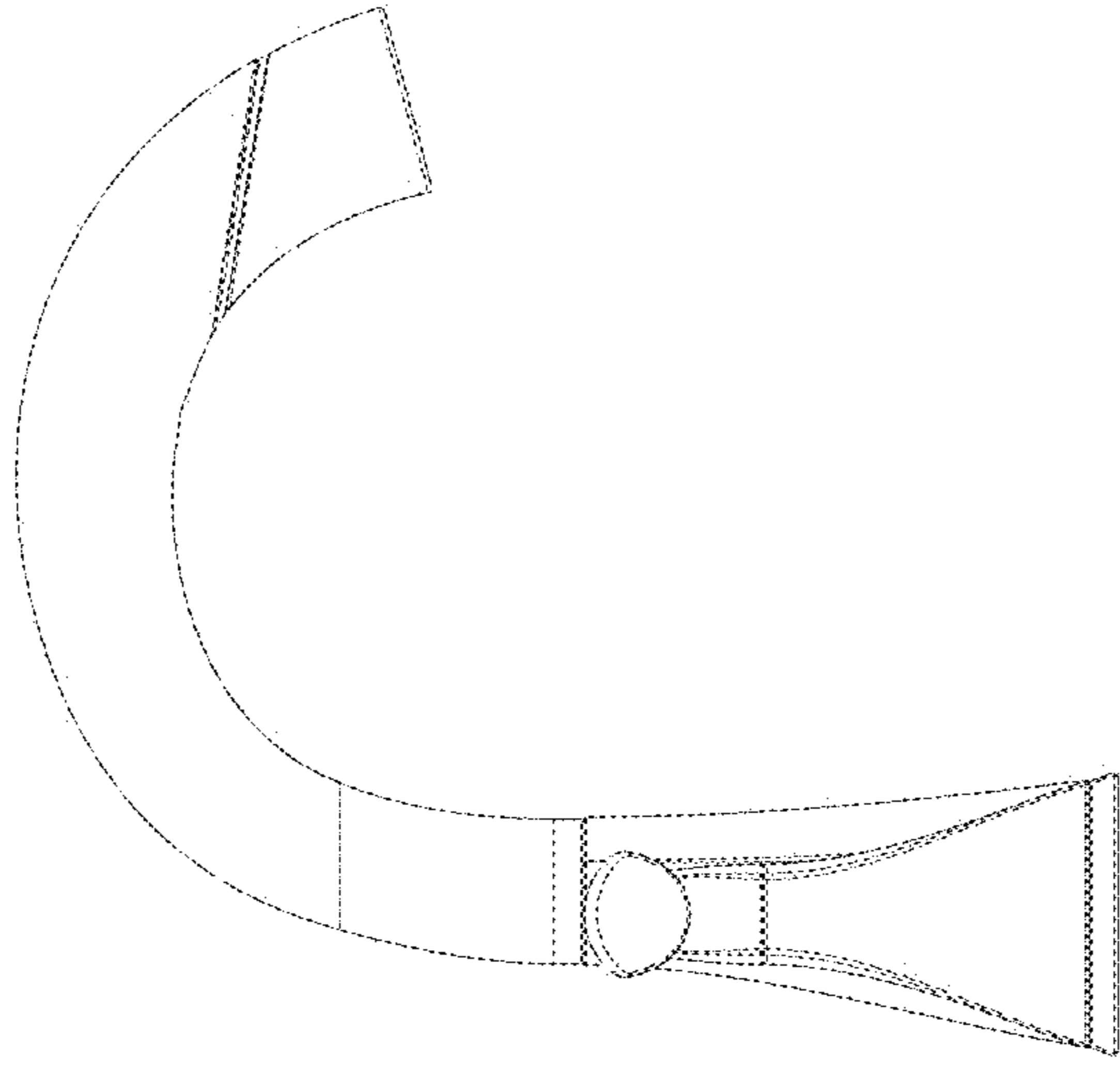


FIG - 6

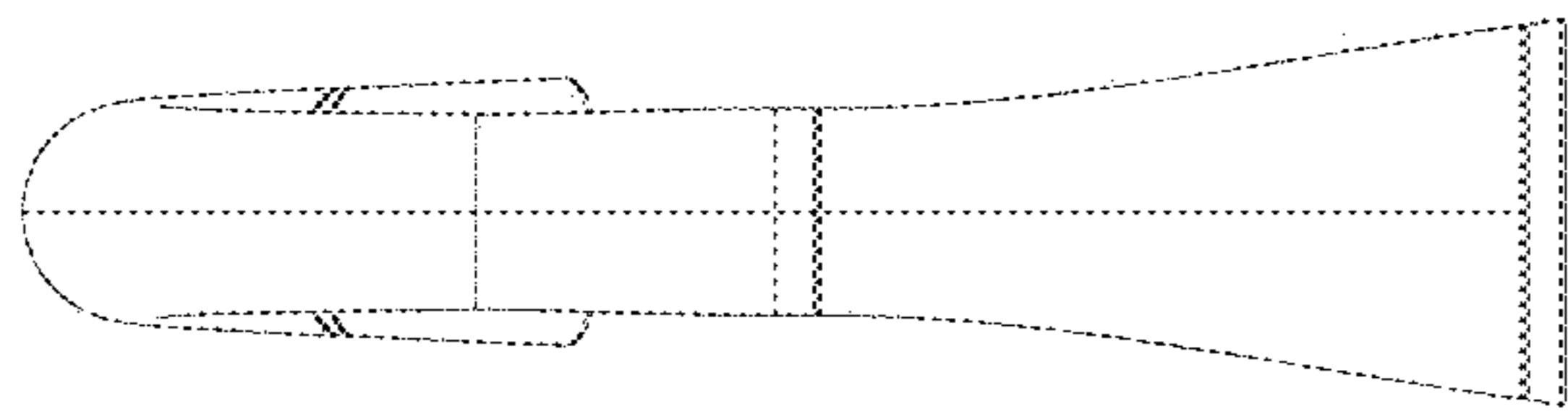
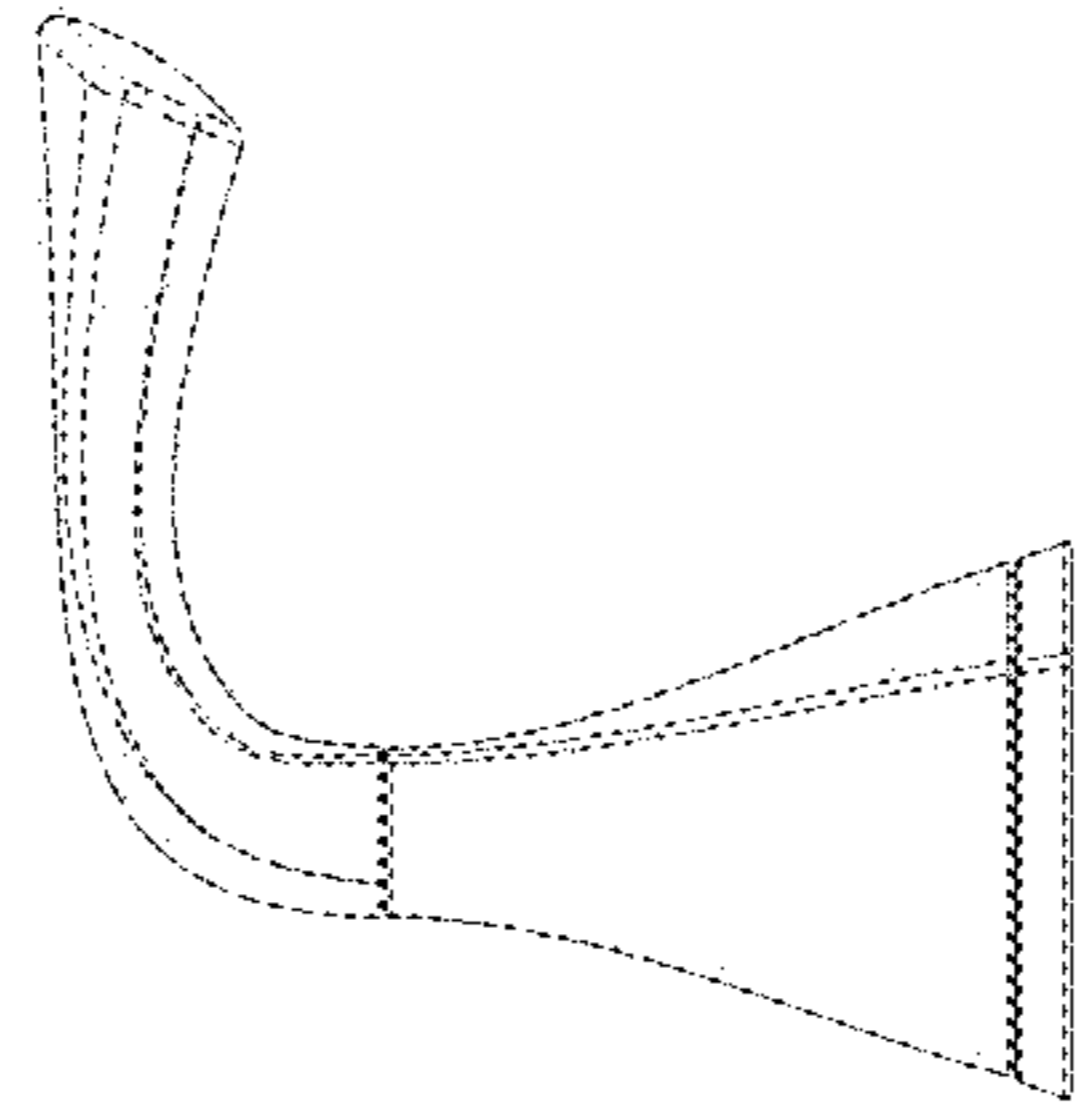
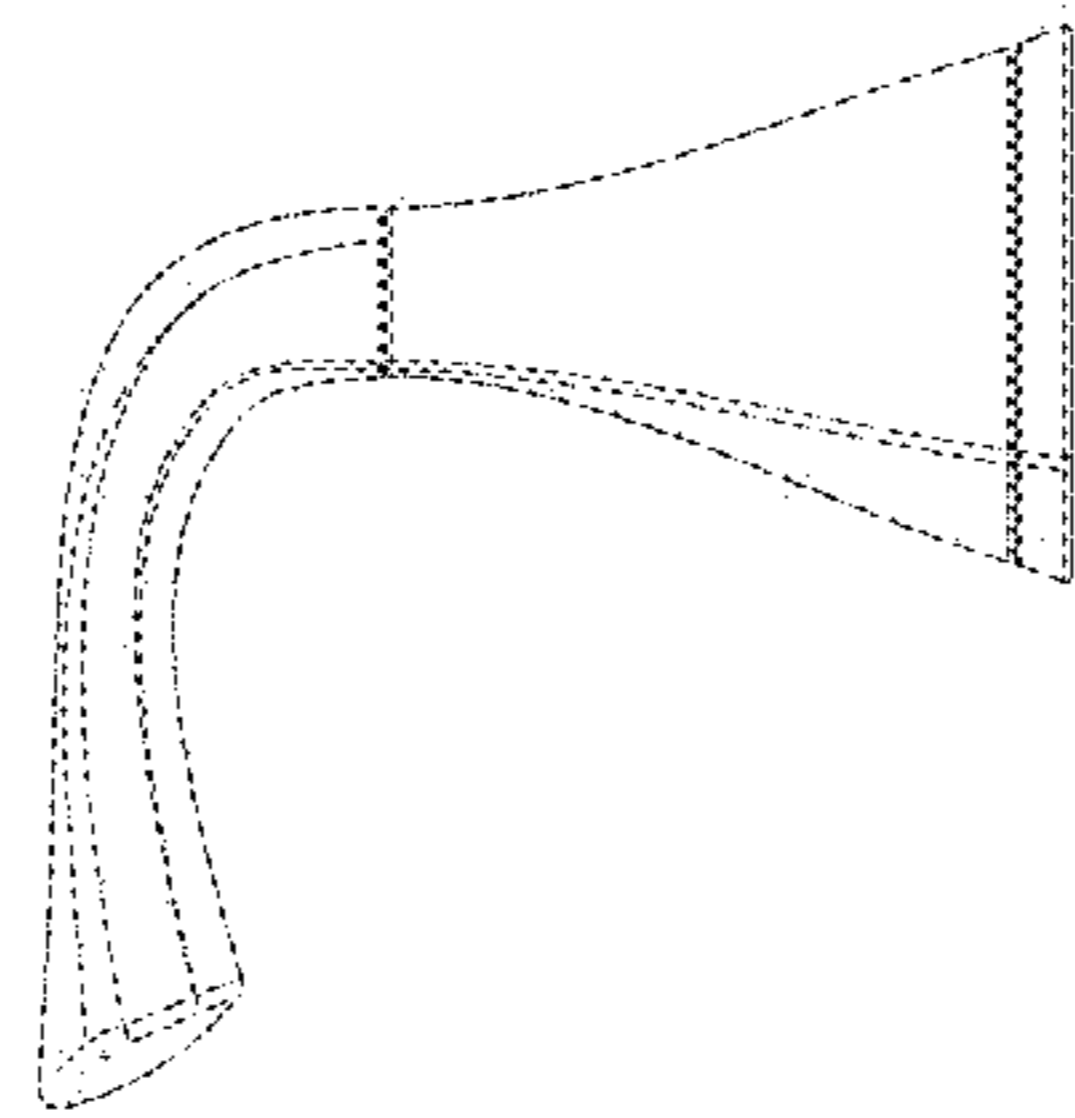


FIG - 5



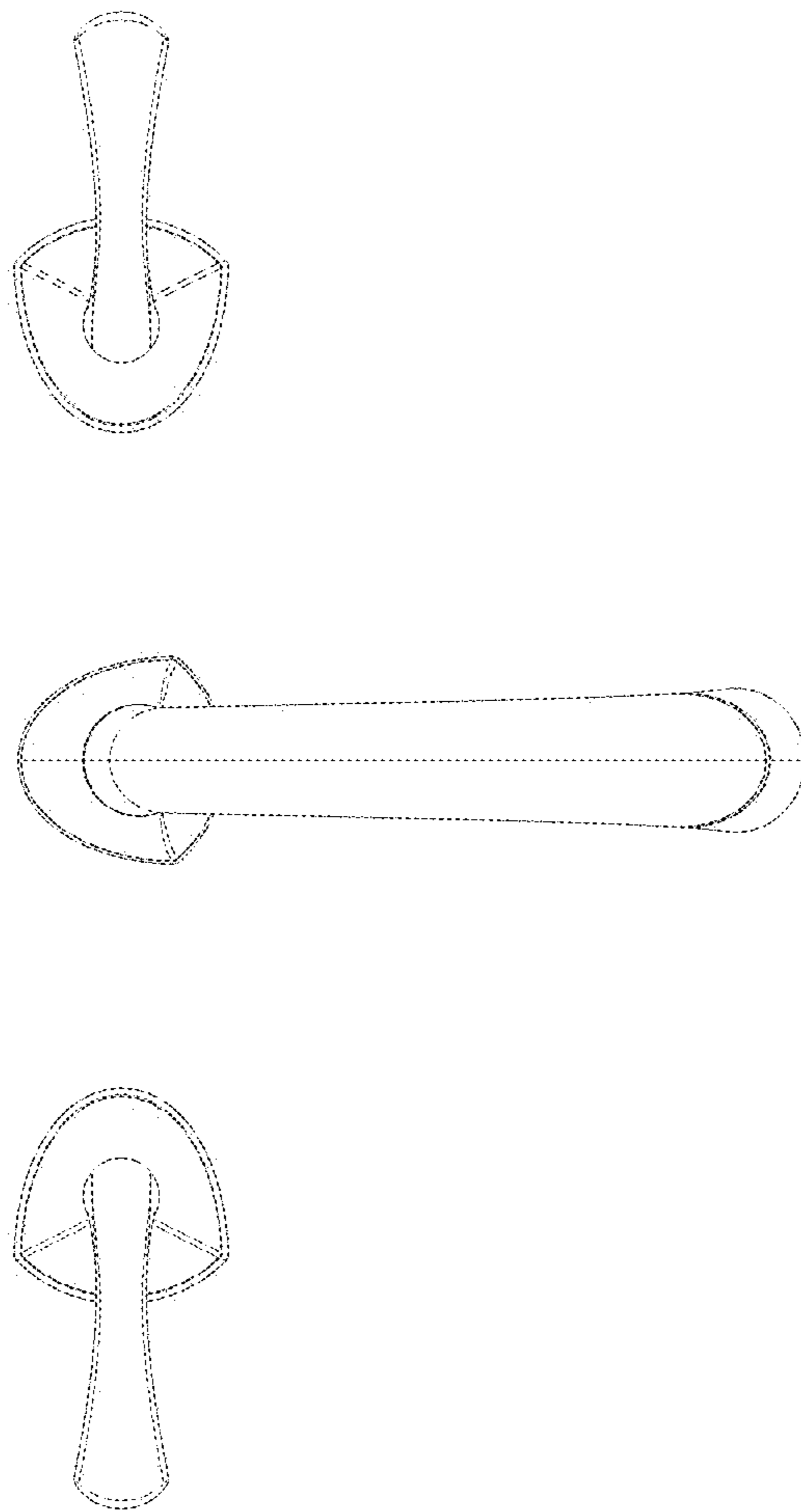


FIG - 7