



US00D950015S

(12) **United States Design Patent** (10) **Patent No.:** **US D950,015 S**
Zhang (45) **Date of Patent:** **** Apr. 26, 2022**

- (54) **STAND PATIO MISTER**
- (71) Applicant: **SHENZHEN YUNYOU TECHNOLOGY CO., LTD.**, Shenzhen (CN)
- (72) Inventor: **Genghui Zhang**, Shenzhen (CN)
- (73) Assignee: **SHENZHEN YUNYOU TECHNOLOGY CO., LTD.**, Shenzhen (CN)
- (**) Term: **15 Years**
- (21) Appl. No.: **29/799,521**
- (22) Filed: **Jul. 15, 2021**
- (51) **LOC (13) Cl.** **23-01**
- (52) **U.S. Cl.**
USPC **D23/214**
- (58) **Field of Classification Search**
USPC D23/213, 214, 215, 221–222, 223, 224, D23/226, 229, 230
CPC A61H 9/0021; A61H 33/00; B05B 1/00; B05B 1/14; B05B 1/185; B05B 1/08; B05B 1/02; B05B 1/26; B05B 12/002; B05B 1/18; B05B 9/01
See application file for complete search history.

(56) **References Cited**

U.S. PATENT DOCUMENTS

| | | | | | | |
|-----------|---|---|---------|-----------|-------|------------------------|
| D378,399 | S | * | 3/1997 | Simonetti | | D23/214 |
| 5,836,516 | A | * | 11/1998 | Van Epps | | B05B 15/625 239/281 |
| D406,184 | S | * | 2/1999 | Aker | | D21/398 |
| D416,073 | S | * | 11/1999 | Louis | | D23/213 |
| D538,393 | S | | 3/2007 | Chung | | |
| D606,622 | S | * | 12/2009 | Sorenson | | D23/214 |
| D666,274 | S | | 8/2012 | Smith | | |
| D727,465 | S | * | 4/2015 | Gladstone | | D23/214 |
| D847,947 | S | * | 5/2019 | Liu | | D23/214 |
| D868,207 | S | * | 11/2019 | Hsieh | | D23/214 |

| | | | | | | |
|----------|---|---|---------|------|-------|---------|
| D927,641 | S | * | 8/2021 | Li | | D23/214 |
| D936,788 | S | * | 11/2021 | Lei | | D23/214 |
| D940,271 | S | * | 1/2022 | Shen | | D23/214 |

OTHER PUBLICATIONS

Eden 94124 Multi Pattern Turbo Gear Drive Sprinkler Plus Misting System, Sep. 6, 2020, amazon.ca, Mar. 3, 2022, URL: <https://www.amazon.ca/Eden-94124EDAMZ-Multi-Pattern-Sprinkler-Coverage/dp/B08HHD81DH/> (Year: 2020).*

Gardena 8143 4,800 Square Foot Turbo Drive Sprinkler, Aug. 7, 2014, amazon.ca, Mar. 3, 2022, URL: https://www.amazon.ca/dp/B002VED470/ref=sbl_dp_x_ca-outdoor-gardening-watering-sprinklers_B08HHD81DH_0 (Year: 2014).*

Orbit 10360 FlexCobra Flexible Three-Nozzle Misting Mister, Nov. 4, 2011, amazon.ca, Mar. 3, 2022, URL: https://www.amazon.ca/Orbit-10360-FlexCobra-Flexible-Three-Nozzle/dp/B0041NGNPG/ref=sr_1_19? (Year: 2011).*

* cited by examiner

Primary Examiner — Keith J Wilson

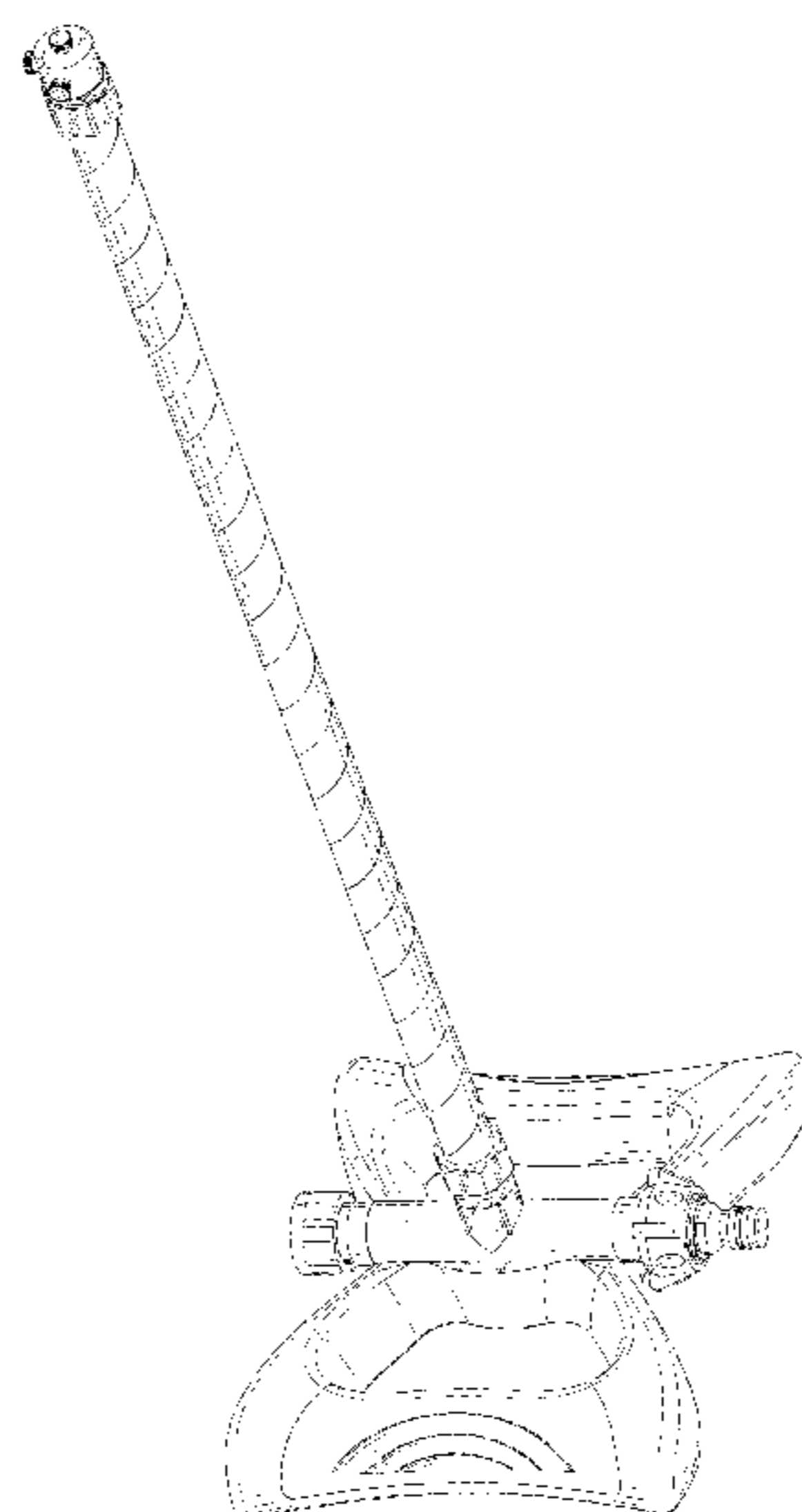
(57) **CLAIM**

The ornamental design for a stand patio mister, as shown and described.

DESCRIPTION

FIG. 1 is a perspective view of a stand patio mister showing my new design;
 FIG. 2 is another perspective view thereof;
 FIG. 3 is a front elevational view thereof;
 FIG. 4 is a rear elevational view thereof;
 FIG. 5 is a left side elevational view thereof;
 FIG. 6 is a right side elevational view thereof;
 FIG. 7 is a top plan view thereof;
 FIG. 8 is a bottom plan view thereof; and,
 FIG. 9 is a perspective view of the stand patio mister where the stand patio mister is in a configuration of use.
 The broken lines in the drawings depict portions of the stand patio mister that form no part of the claimed design.

1 Claim, 9 Drawing Sheets



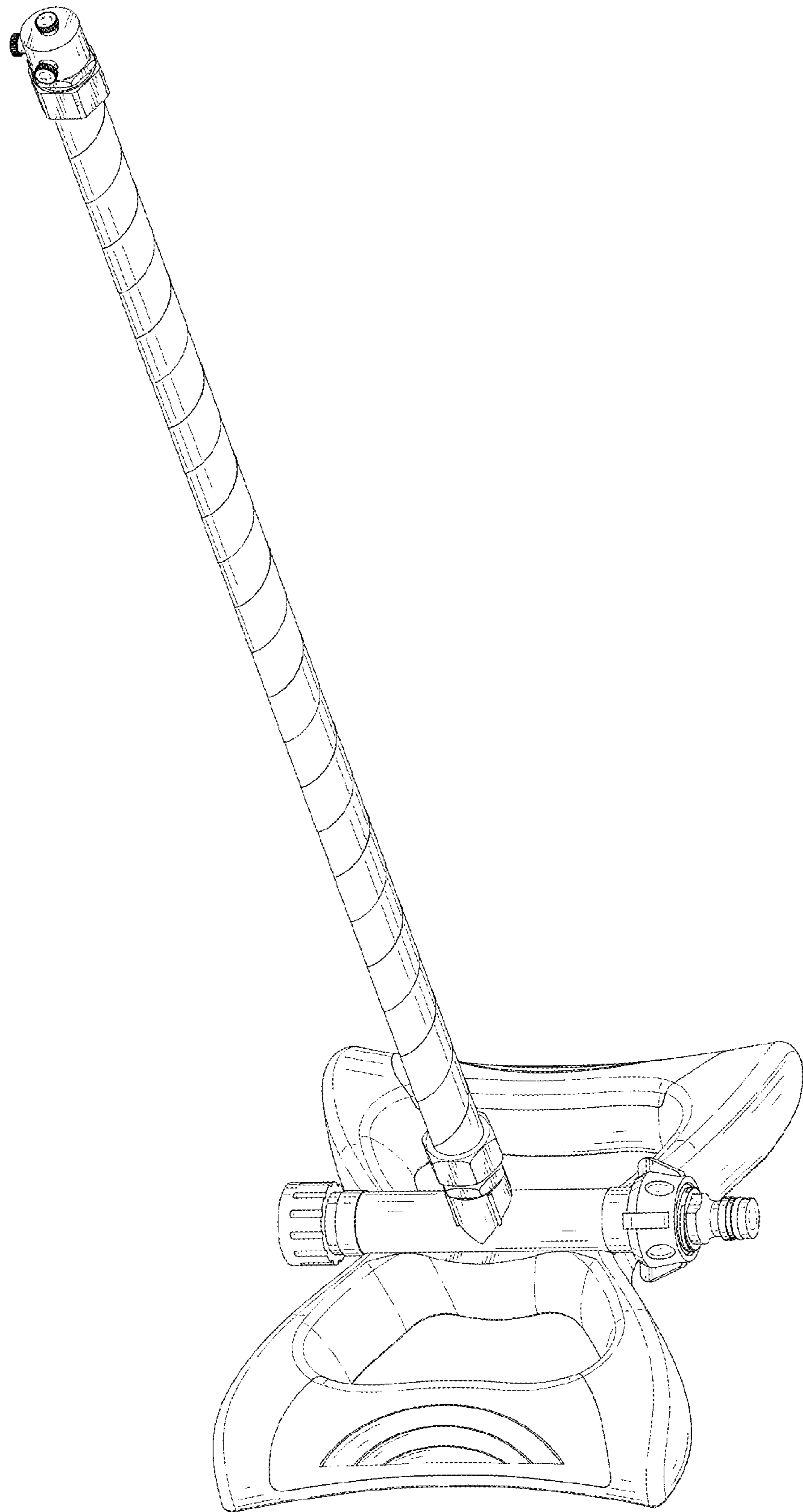


FIG. 1

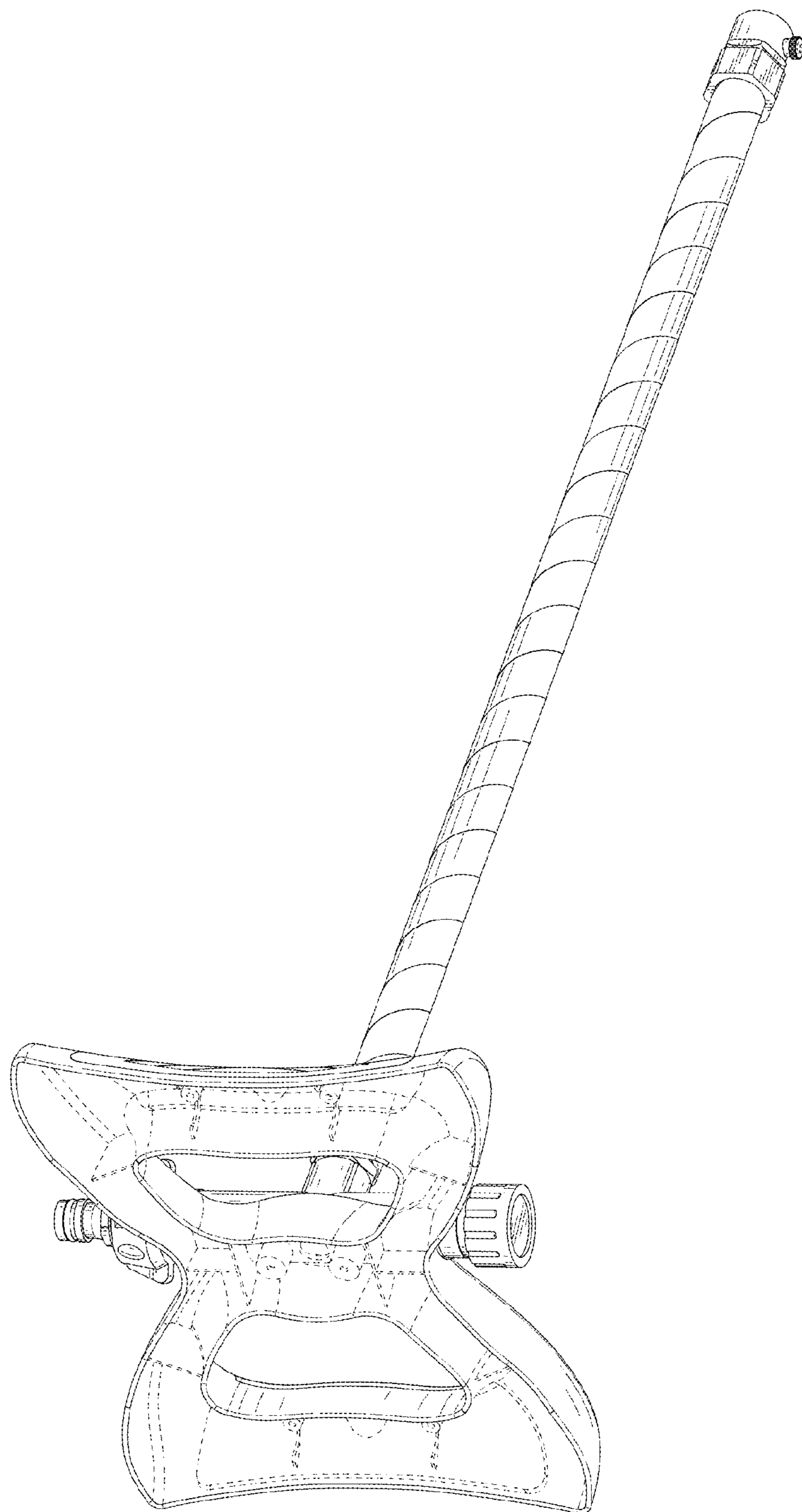


FIG. 2

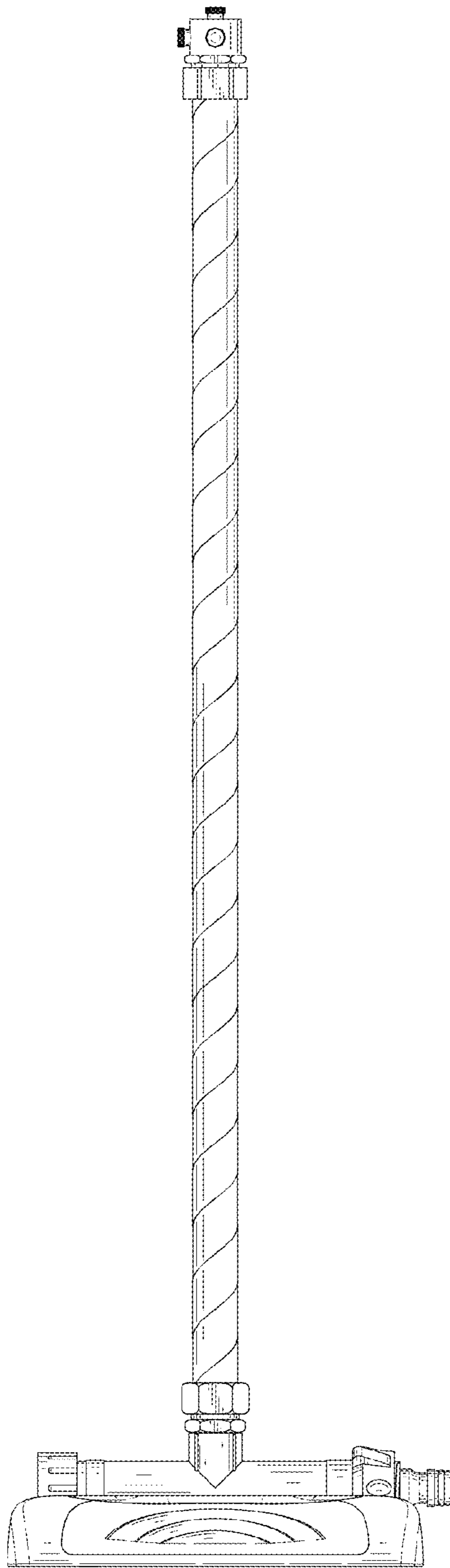


FIG. 3

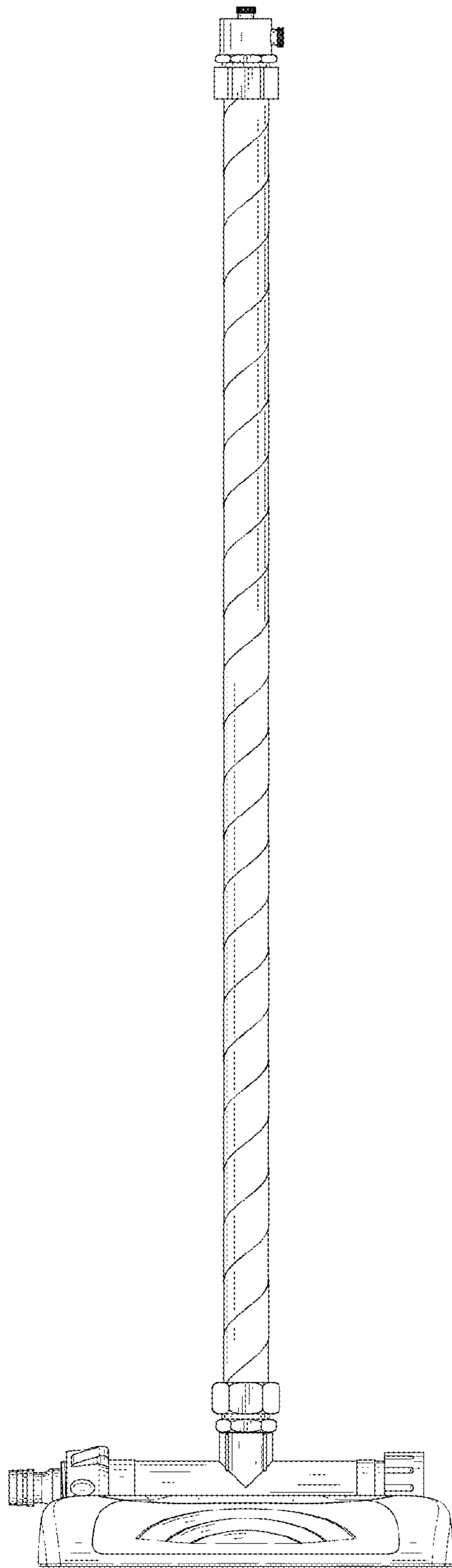


FIG. 4

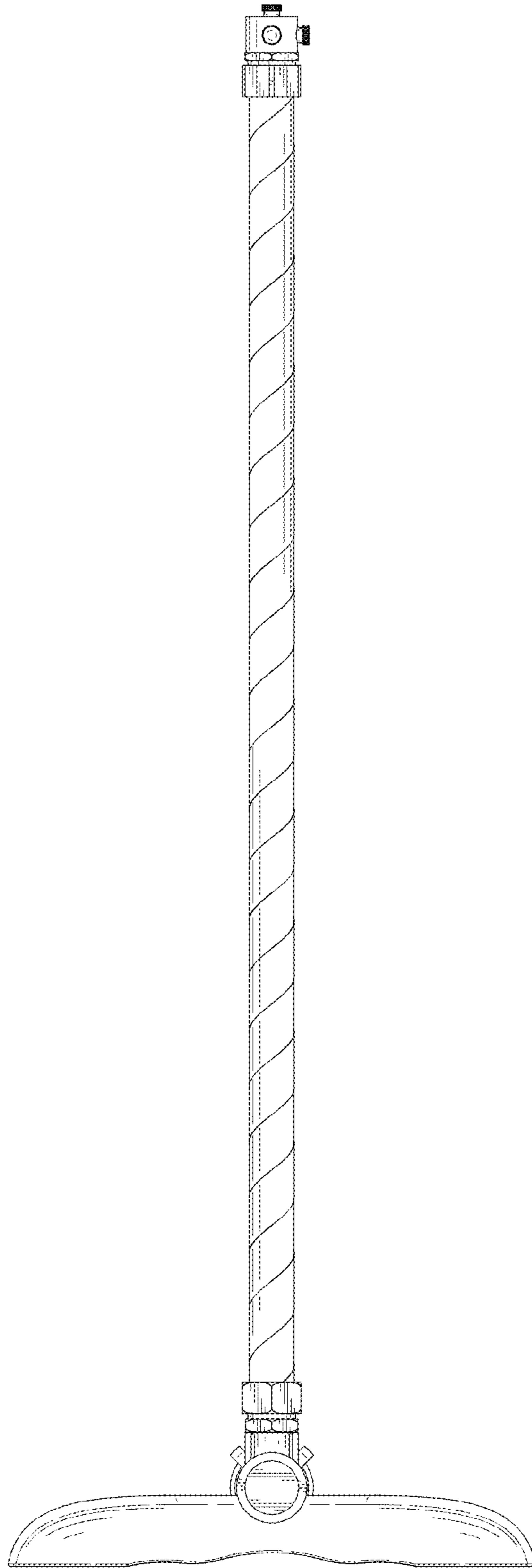


FIG. 5

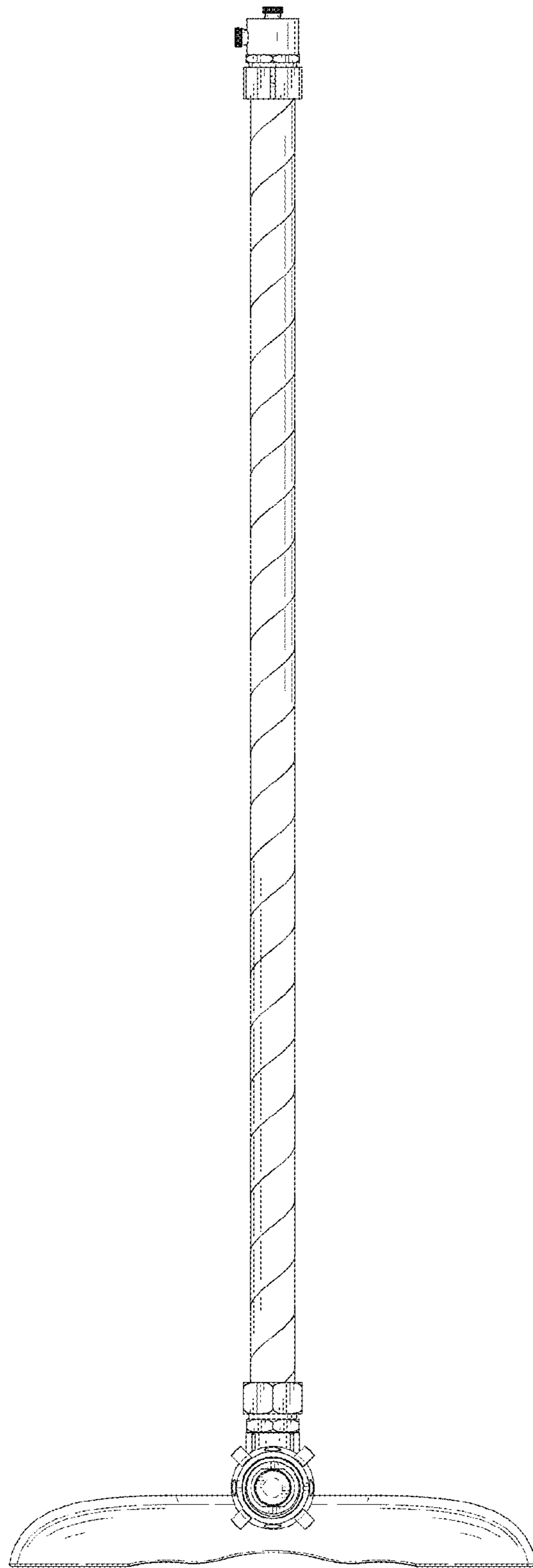


FIG. 6

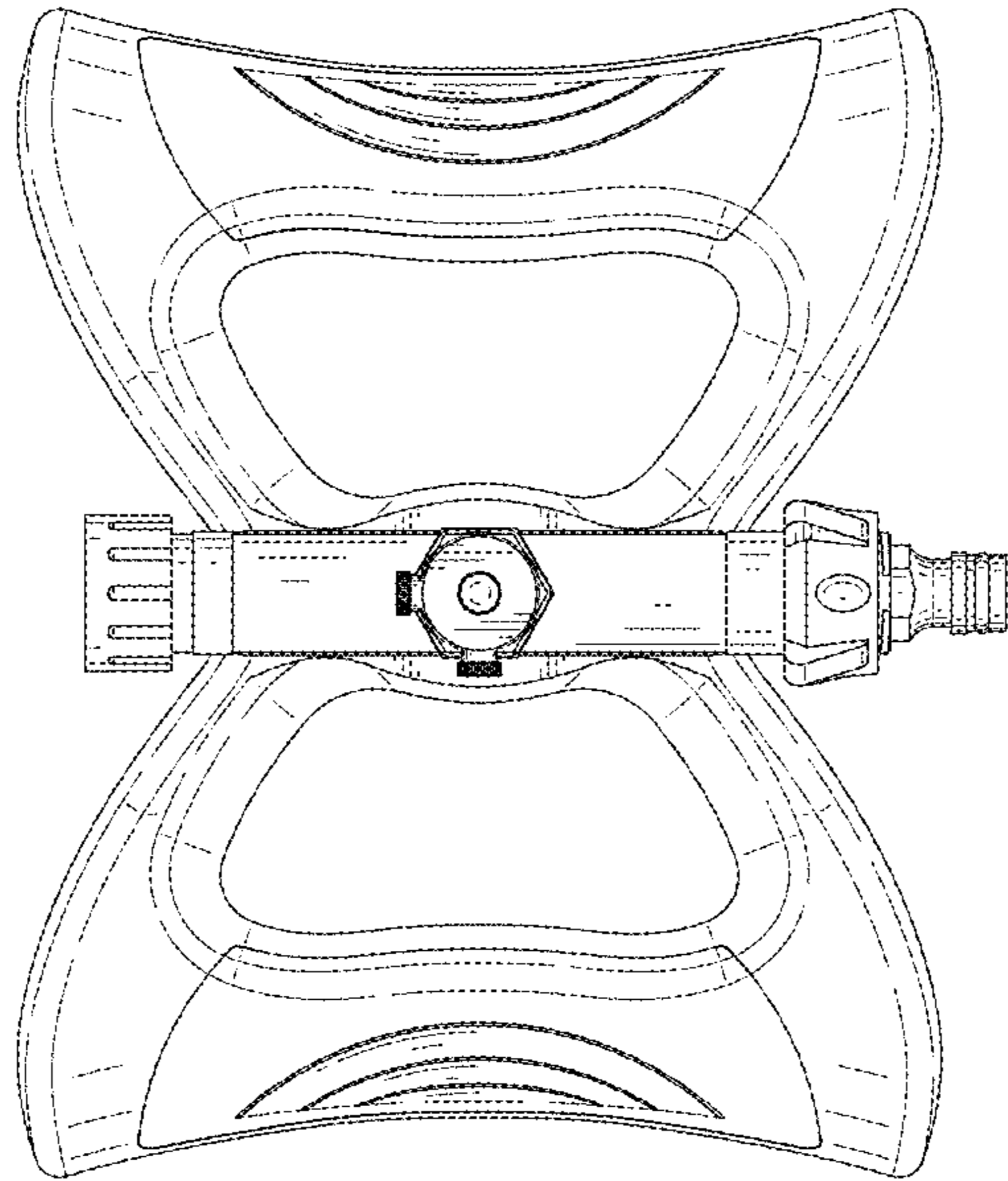


FIG. 7

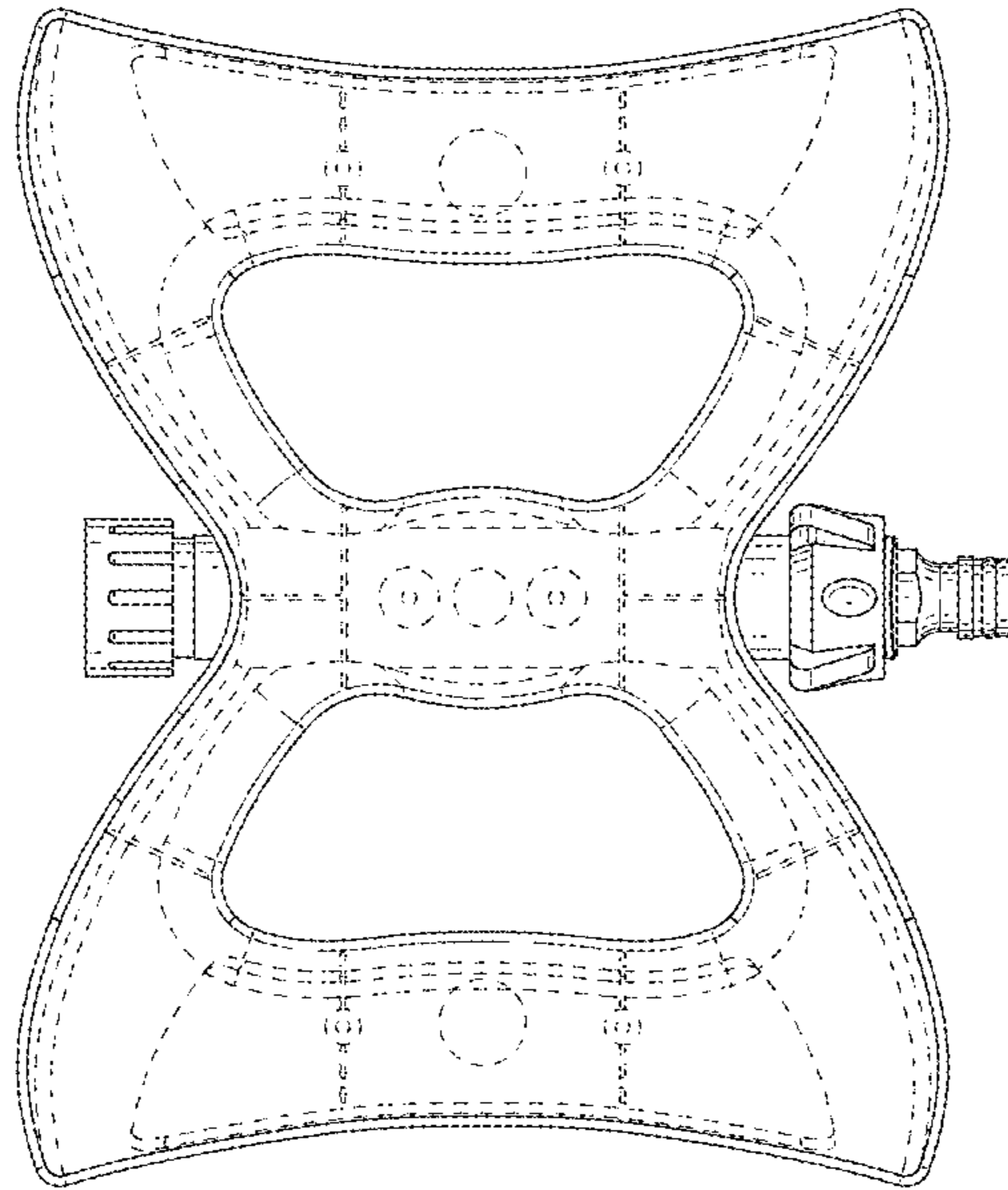


FIG. 8

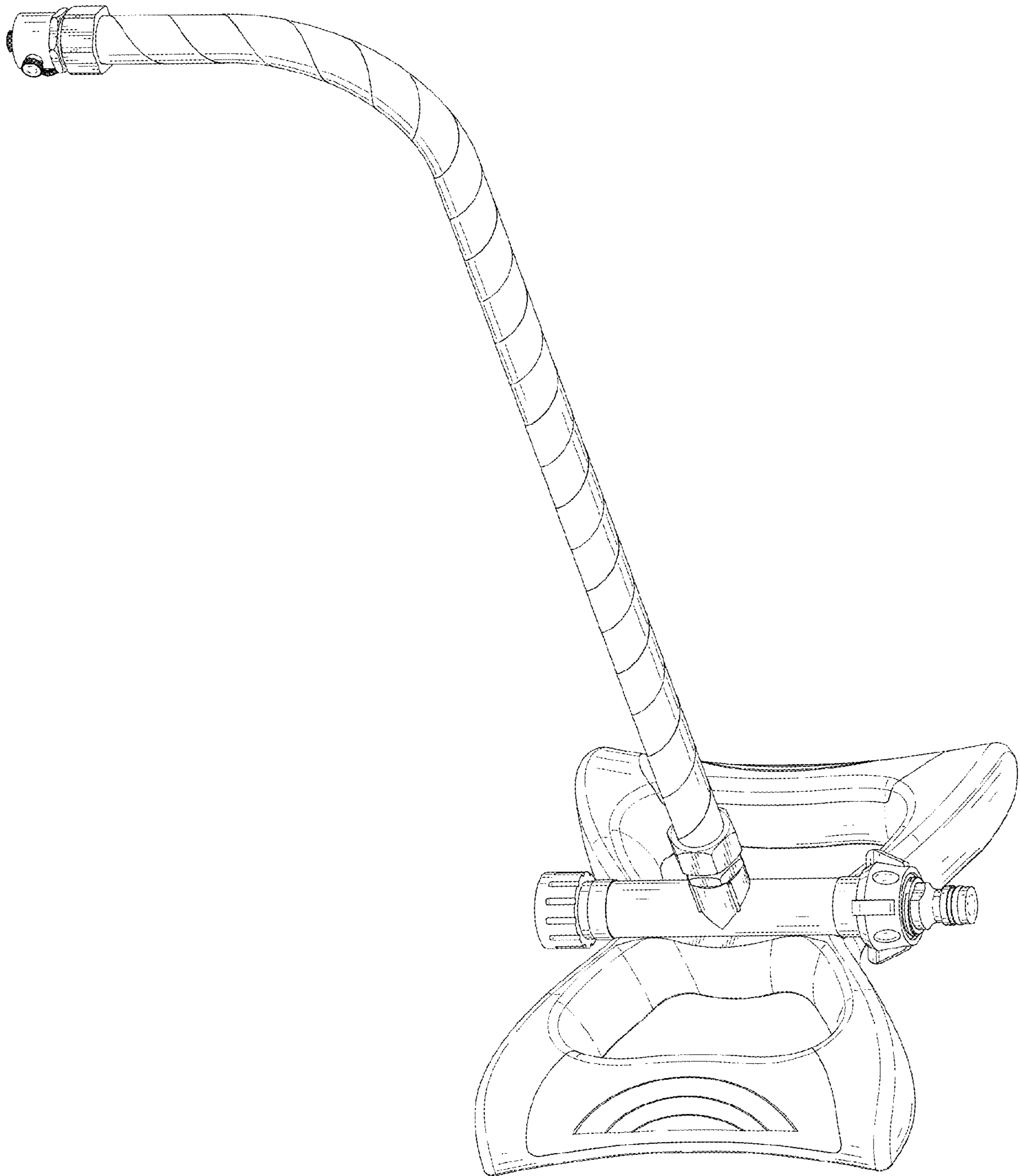


FIG. 9