



US00D950013S

(12) **United States Design Patent** (10) **Patent No.:** **US D950,013 S**
Ravassa et al. (45) **Date of Patent:** **** Apr. 26, 2022**

(54) **SHOWER HEAD**
(71) Applicant: **AS America, Inc.**, Piscataway, NJ (US)
(72) Inventors: **Gabriela Ravassa**, Los Angeles, CA (US); **Greg Reinecker**, Brooklyn, NY (US); **Jean-Jacques L’Henaff**, New Canaan, CT (US)
(73) Assignee: **AS America, Inc.**, Piscataway, NJ (US)
(**) Term: **15 Years**

D713,002 S * 9/2014 McKeone D23/213
D732,614 S * 6/2015 Davies, III D21/680
D737,825 S * 9/2015 Kumar D14/433
D752,476 S * 3/2016 Sapp D11/132
D755,669 S * 5/2016 Greczanik D11/132
D771,205 S * 11/2016 Davies, III D21/680
D777,266 S * 1/2017 Davies, III D21/680
D803,465 S * 11/2017 Livesay D26/104
D811,520 S * 2/2018 Andrew D23/213
D854,636 S * 7/2019 Nelson D21/680
D857,156 S * 8/2019 Hani D23/208

(Continued)

(21) Appl. No.: **29/785,802**
(22) Filed: **May 27, 2021**

Related U.S. Application Data

(63) Continuation of application No. 29/719,819, filed on Jan. 8, 2020, now Pat. No. Des. 923,744.
(51) **LOC (13) Cl.** **23-01**
(52) **U.S. Cl.**
USPC **D23/213**
(58) **Field of Classification Search**
USPC D23/213, 214, 215, 223, 224, 226, 229, D23/230; D1/100, 127; D21/680
CPC A61H 9/0021; A61H 33/00; B05B 1/00; B05B 1/14; B05B 1/185; B05B 1/08; B05B 1/02; B05B 1/26; B05B 12/002; B05B 1/18; B05B 9/01
See application file for complete search history.

(56) **References Cited**

U.S. PATENT DOCUMENTS

D414,895 S * 10/1999 Olson D1/100
D456,561 S * 4/2002 Freeman D28/8.2
D552,210 S * 10/2007 Zhu D23/213
D592,377 S * 5/2009 Lee D1/127
D635,327 S * 4/2011 Hollmann D1/127
D649,738 S * 12/2011 Hollmann D1/106
D693,675 S * 11/2013 Staller D9/430

OTHER PUBLICATIONS

Unfinished Wood Plaque: Octagon, 9x12 inches, Dec. 9, 2017, walmart.com, Jul. 16, 2021.URL: <https://www.walmart.com/ip/Unfinished-Wood-Plaque-Octagon-9-x-12-inches/683313152> (Year: 2017).*

(Continued)

Primary Examiner — Keith J Wilson
(74) *Attorney, Agent, or Firm* — Tyler A. Stevenson; Anna-lisa L. Gallo

(57) **CLAIM**

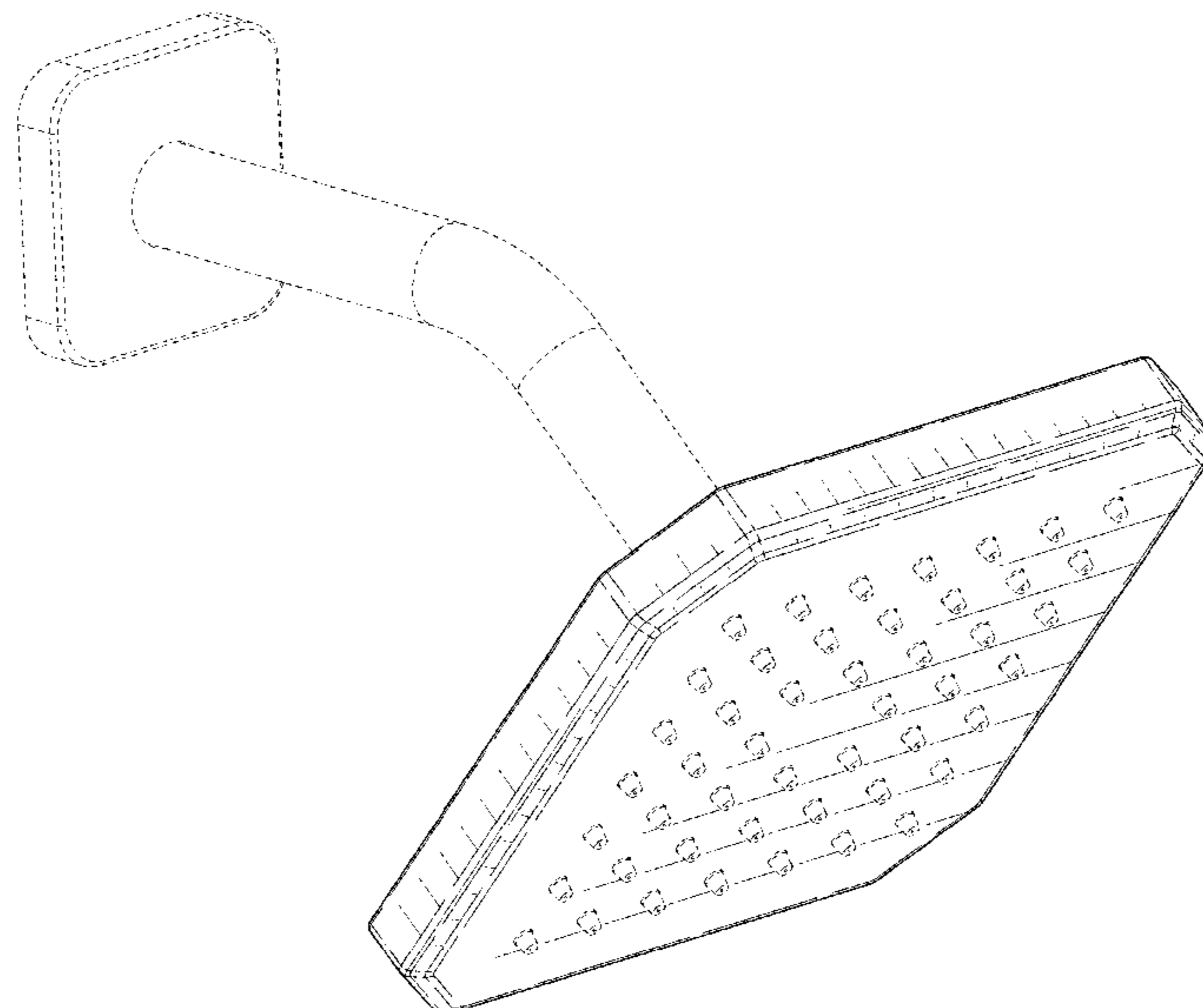
We claim the ornamental design for a shower head, as shown and described.

DESCRIPTION

FIG. 1 is a front, top, left side perspective view of a shower head showing our new design;
FIG. 2 is a front view thereof;
FIG. 3 is a rear side view thereof;
FIG. 4 is a left side view thereof;
FIG. 5 is a right side view thereof;
FIG. 6 is a top view thereof; and,
FIG. 7 is a bottom view thereof.

The broken lines represent portions of the shower head that form no part of the claimed design.

1 Claim, 7 Drawing Sheets



(56)

References Cited

U.S. PATENT DOCUMENTS

D908,188 S	*	1/2021	Seum	D23/213
D915,880 S	*	4/2021	Markoulis	D9/430
D917,021 S	*	4/2021	Jan	D23/260
D923,612 S	*	6/2021	Stevenson	D14/230
D923,744 S	*	6/2021	Ravassa	D23/213
D927,638 S	*	8/2021	Cocks	D23/213
D936,787 S	*	11/2021	Morgan	D23/213

OTHER PUBLICATIONS

Walnut Hollow Clipped Corner Pine 11×14 Wood Plaque, Dec. 12, 2007, amazon.com, Jul. 16, 2021, URL: <https://www.amazon.com/Walnut-Hollow-11-Inch-14-Inch-Clipped/dp/B00114TIHA> (Year: 2007).*

Wood Plaque—Clipped Corner Rectangle—7"×9", May 9, 2018, Amazon.com, Jul. 16, 2021, URL: <https://www.munrocrafts.com/Wood-Plaque-Clipped-Corner-Rectangle-7-x-9-p/wood-plaque-clpdrect-7x9.htm> (Year: 2018).*

Kohler K-24805-G-BN Parallel Showerhead, Jun. 18, 2020, Amazon.com, Jul. 16, 2021, URL: <https://www.amazon.com/Kohler-K-24805-G-BN-Parallel-Showerhead-Vibrant/dp/B08BGPTWBZ> (Year: 2020).*

Lazy K Silicone Placemats—Octagon with Raised Edges, Jun. 19, 2019, amazon.ca, Dec. 8, 2021, URL: <https://www.amazon.ca/Lazy-Silicone-Placemats-Waterproof-Heat-Resistant/dp/B07SVNMBRJ> (Year: 2019).*

Crown Awards 2.5" Octagon Appreciation Acrylic Paperweight Award, Jul. 30, 2020, amazon.com, Dec. 8, 2021, URL: <https://www.amazon.com/Crown-Awards-Appreciation-Paperweight-Engraving/dp/B08DZ5DLC4> (Year: 2020).*

* cited by examiner

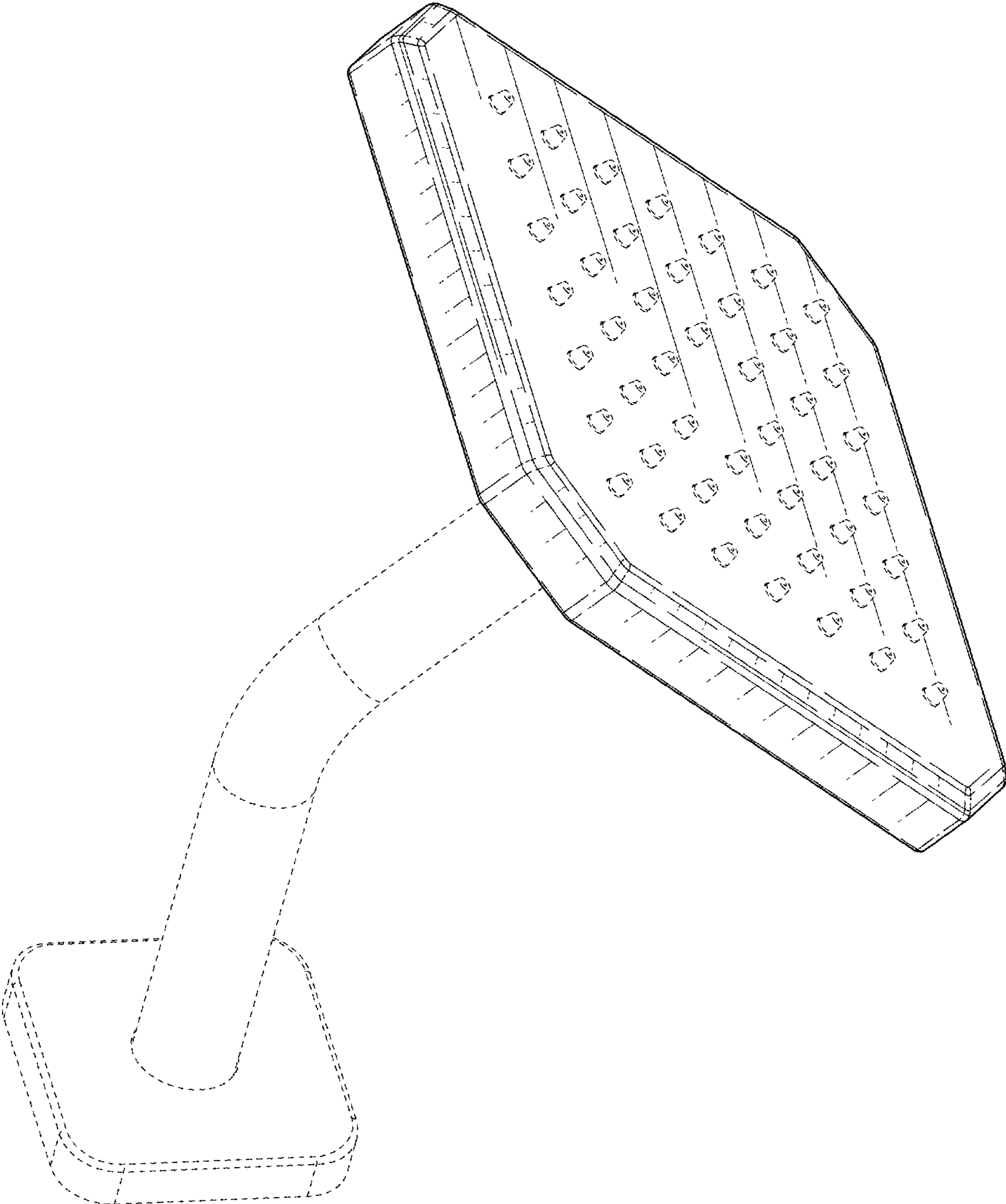


FIG. 1

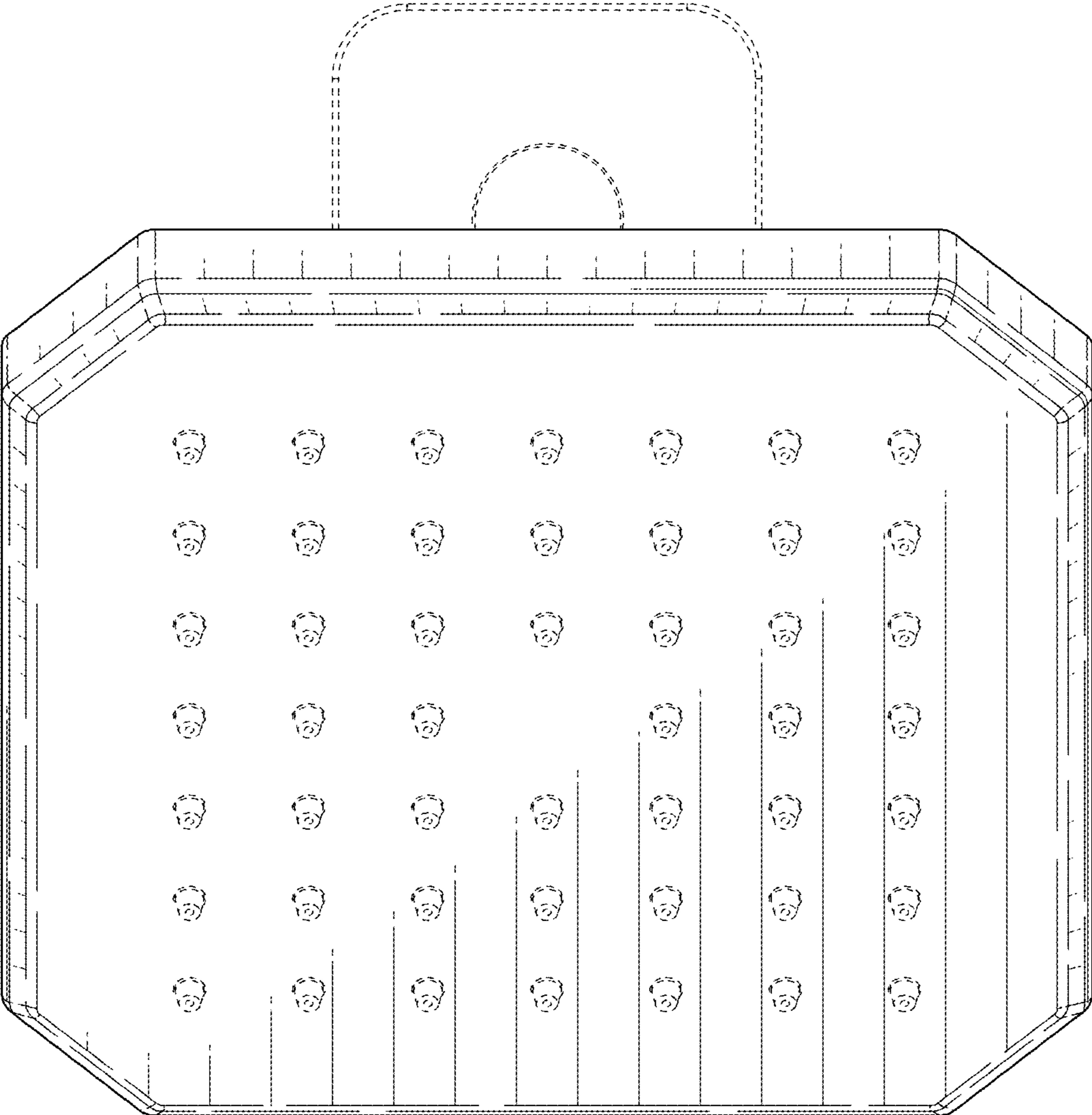


FIG. 2

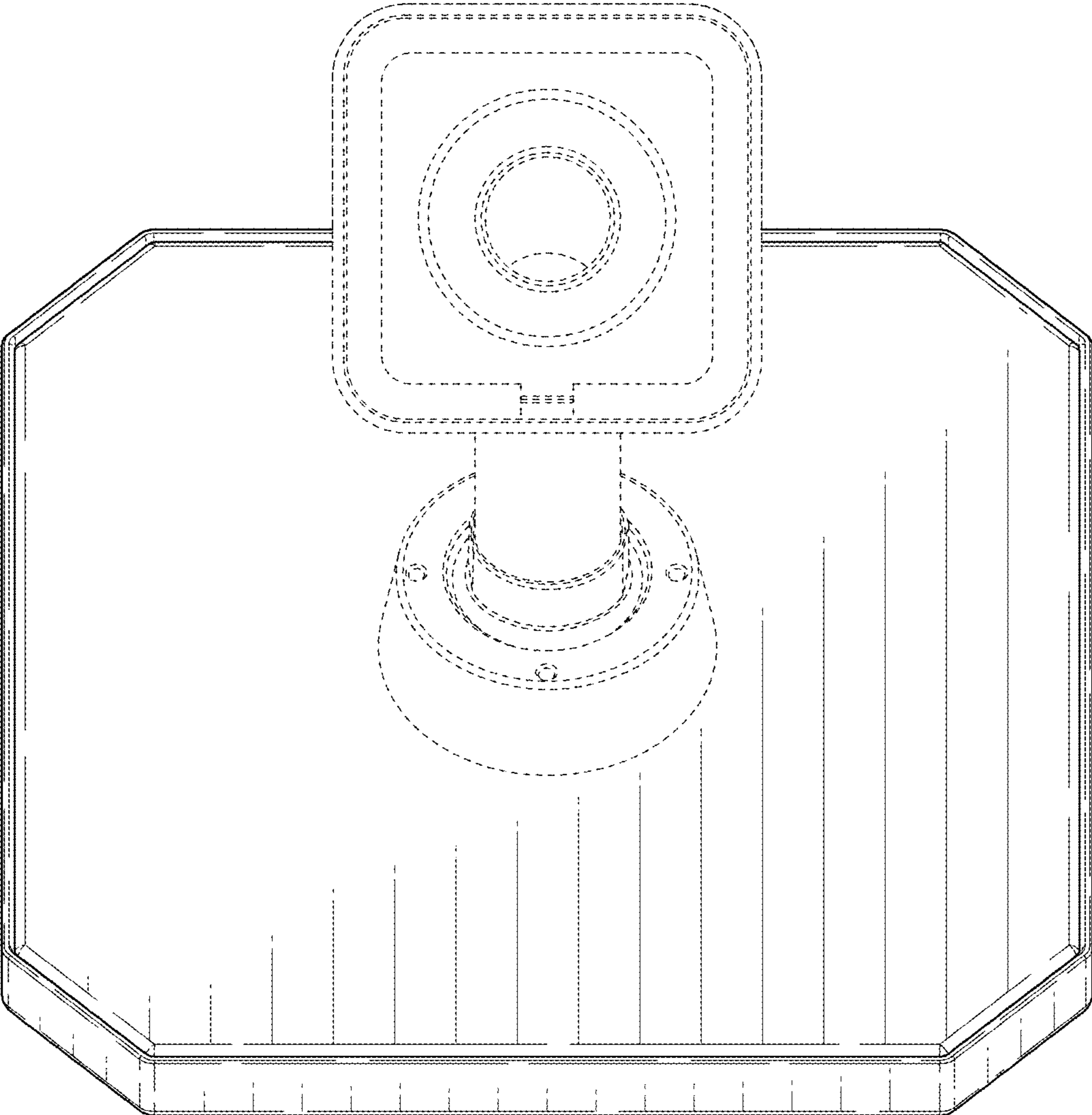


FIG. 3

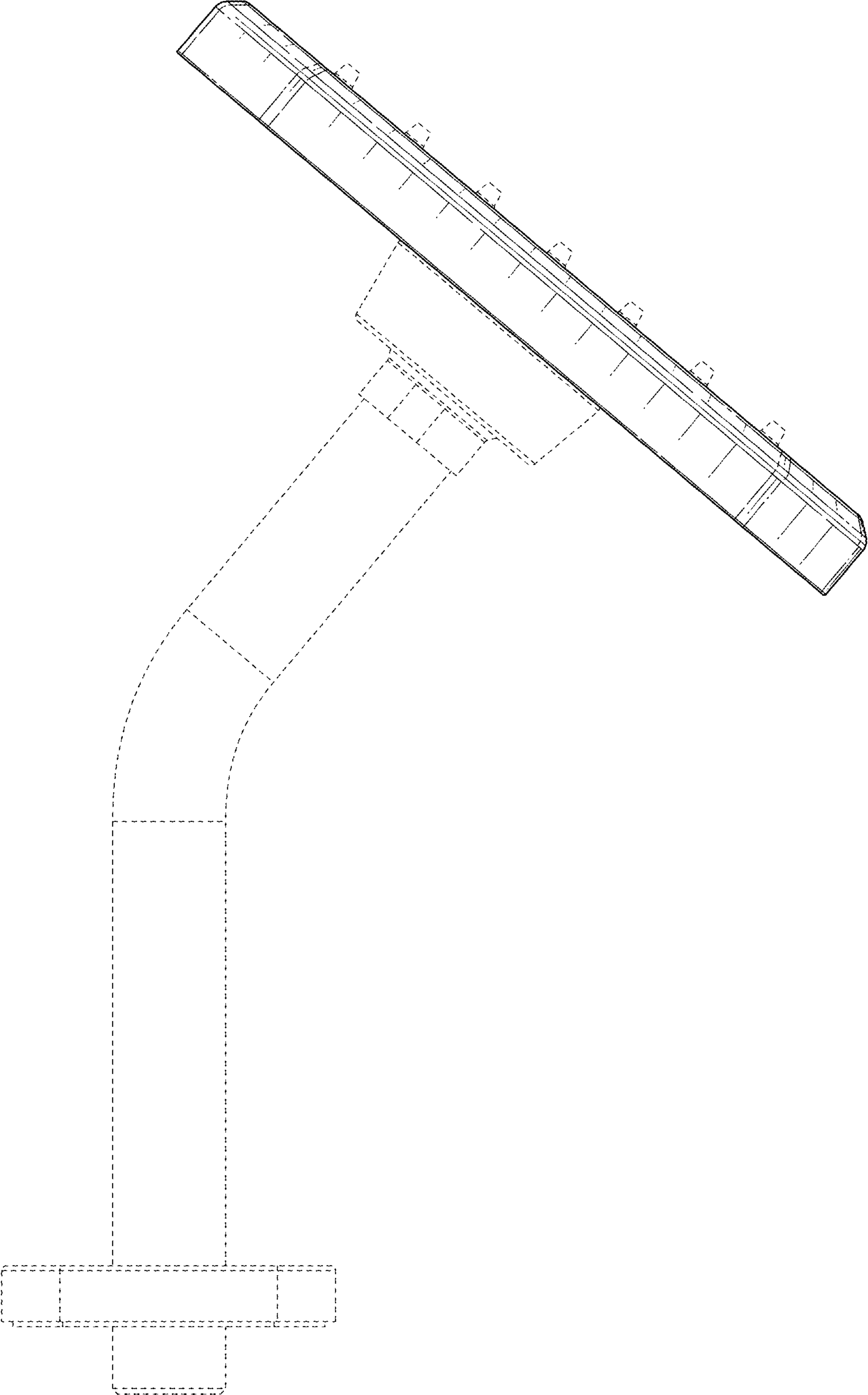


FIG. 4

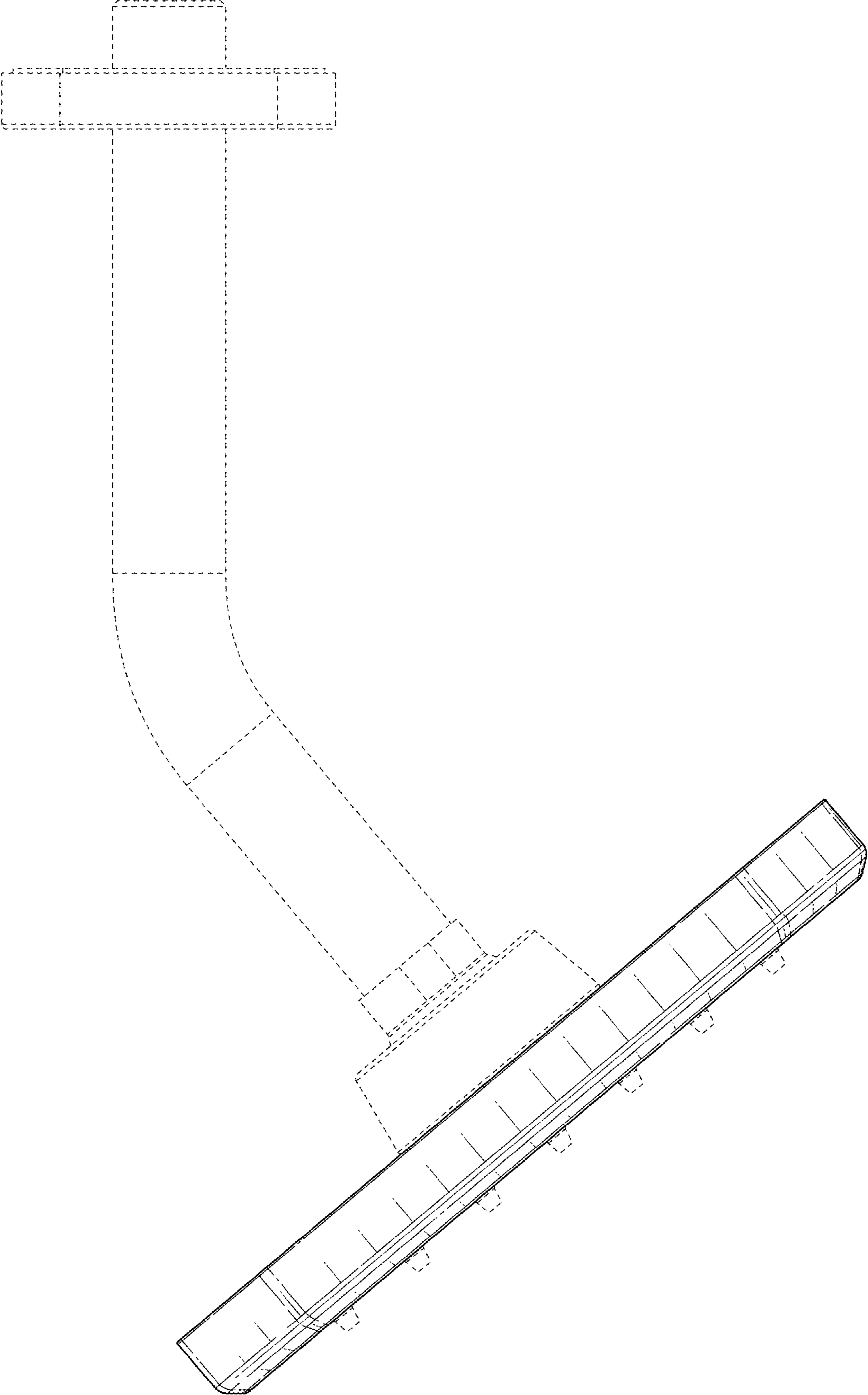


FIG. 5

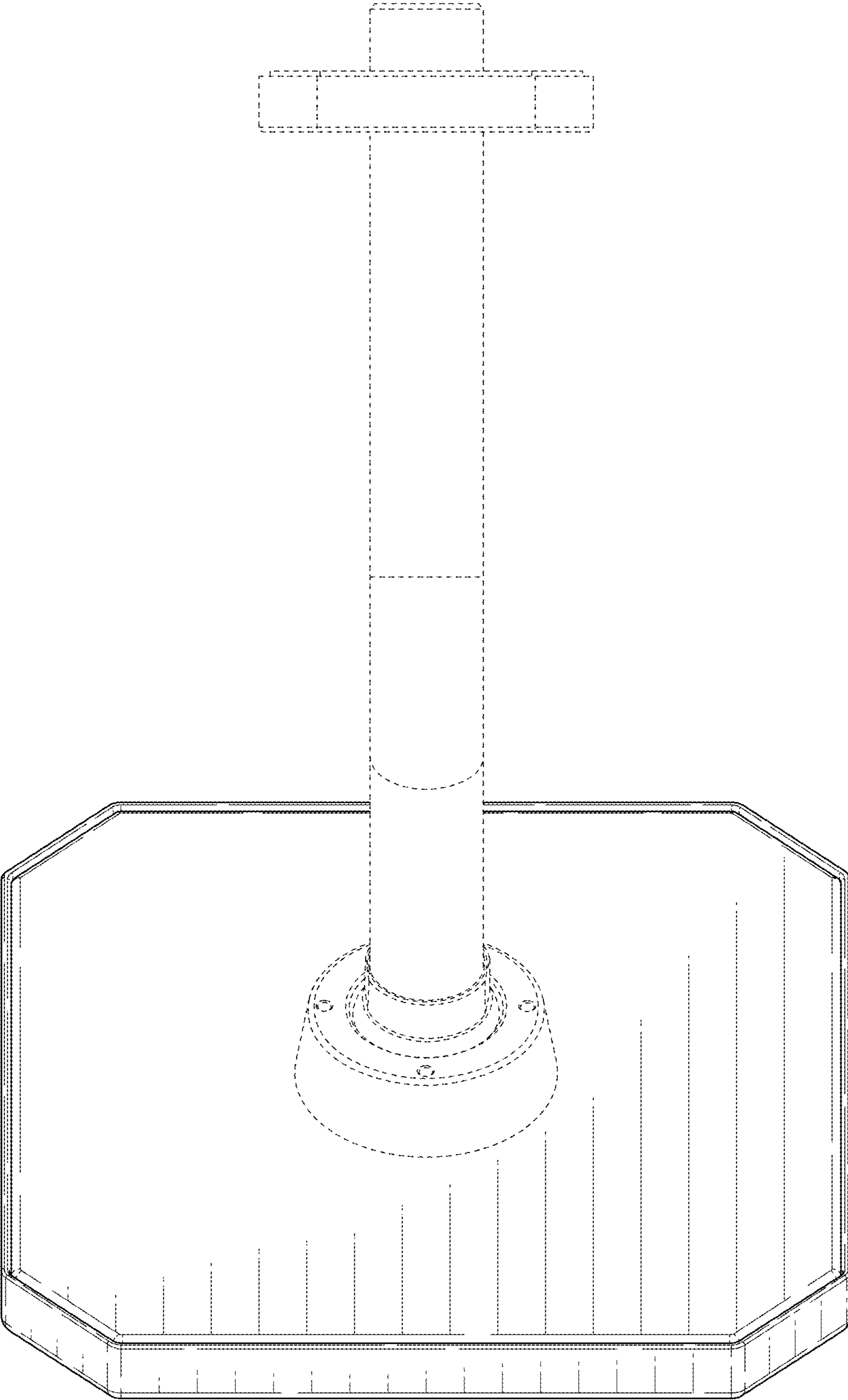


FIG. 6

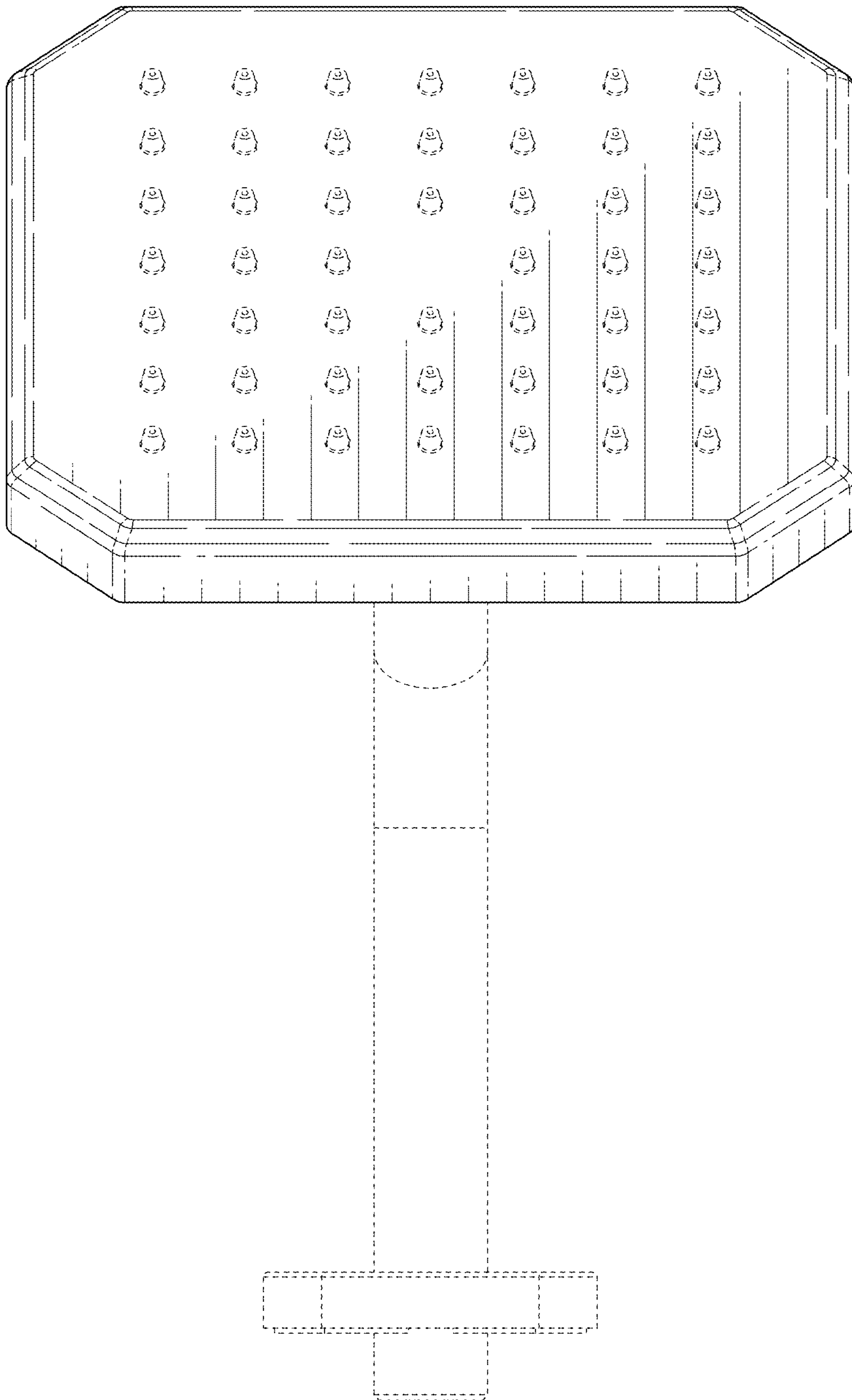


FIG. 7