

US00D950012S

(12) **United States Design Patent** (10) **Patent No.:** **US D950,012 S**  
**Reed** (45) **Date of Patent:** **\*\* Apr. 26, 2022**

(54) **FUEL INJECTOR NOZZLE**  
(71) Applicant: **Dynomite Diesel Products**, Hayden, ID (US)  
(72) Inventor: **Leonard Allan Reed**, Hayden, ID (US)  
(73) Assignee: **Dynomite Diesel Products**, Hayden, ID (US)  
(\*\*) Term: **15 Years**

*Primary Examiner* — Jack Reickel  
*Assistant Examiner* — Keith J Wilson  
(74) *Attorney, Agent, or Firm* — Lee & Hayes, P.C.

(21) Appl. No.: **29/760,463**  
(22) Filed: **Dec. 1, 2020**  
(51) **LOC (13) Cl.** ..... **23-01**  
(52) **U.S. Cl.**  
USPC ..... **D23/213**  
(58) **Field of Classification Search**  
USPC ..... D23/213, 214, 215, 223, 224, 226, 229,  
D23/230

(57) **CLAIM**  
The ornamental design for a fuel injector nozzle, as shown and described.

(Continued)

**DESCRIPTION**

(56) **References Cited**  
U.S. PATENT DOCUMENTS  
5,769,327 A \* 6/1998 Kure ..... A62C 31/02  
239/543  
7,878,419 B2 \* 2/2011 Waddelow ..... A62C 31/05  
239/104

FIG. 1 is a top perspective view of a first embodiment of a fuel injector nozzle;  
FIG. 2 is a front view thereof;  
FIG. 3 is a back view thereof;  
FIG. 4 is a left-side view thereof;  
FIG. 5 is a right-side view thereof;  
FIG. 6 is a top view thereof;  
FIG. 7 is a bottom view thereof;  
FIG. 8 is a cross-sectional view thereof taken along line 8-8 shown in FIG. 1;  
FIG. 9 is a cross-sectional view thereof taken along line 9-9 shown in FIG. 1;  
FIG. 10 is a top perspective view of a second embodiment of a fuel injector nozzle;  
FIG. 11 is a front view thereof;  
FIG. 12 is a back view thereof;  
FIG. 13 is a left-side view thereof;  
FIG. 14 is a right-side view thereof;  
FIG. 15 is a top view thereof;  
FIG. 16 is a bottom view thereof;  
FIG. 17 is a cross-sectional view thereof taken along line 17-17 shown in FIG. 10; and,  
FIG. 18 is an enlarged view thereof.

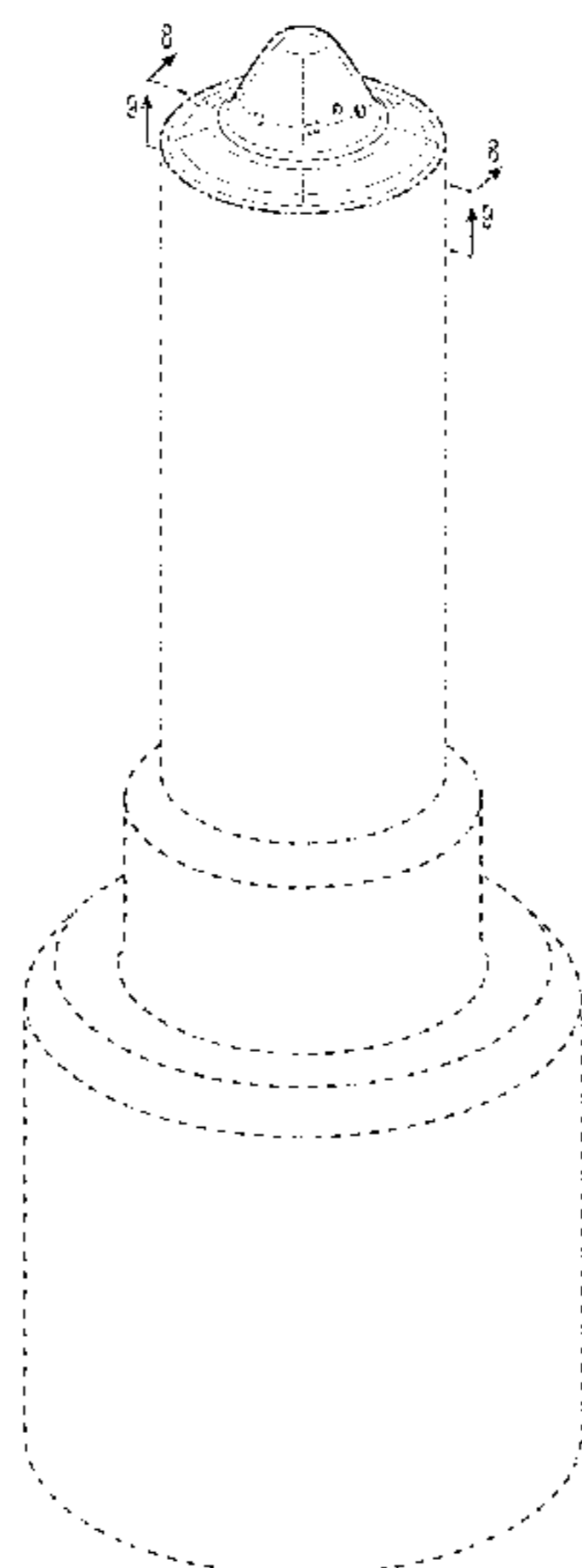
FOREIGN PATENT DOCUMENTS  
JP 2019215125 A \* 12/2019 ..... F23D 14/22  
WO WO-2016160010 A1 \* 10/2016 ..... F23D 14/58

The dashed broken lines depict portions of the fuel injector nozzle that form no part of the claimed design. The dot-dashed broken lines represent boundaries of the claimed fuel injector nozzle and form no part of the claimed design.

OTHER PUBLICATIONS  
4pcs Fuel Injector Nozzles, Jan. 23, 2019, amazon.com, Dec. 1, 2021, URL: <https://www.amazon.com/Injector-Nozzles-Keenso-DSLA150P764-0433175176/dp/B07N1Q4XJB> (Year: 2019).\*

(Continued)

**1 Claim, 18 Drawing Sheets**



(58) **Field of Classification Search**

CPC ..... A61H 9/0021; A61H 33/00; B05B 1/00;  
B05B 1/14; B05B 1/185; B05B 1/08;  
B05B 1/02; B05B 1/26; B05B 12/002;  
B05B 1/18; B05B 9/01

See application file for complete search history.

(56) **References Cited**

U.S. PATENT DOCUMENTS

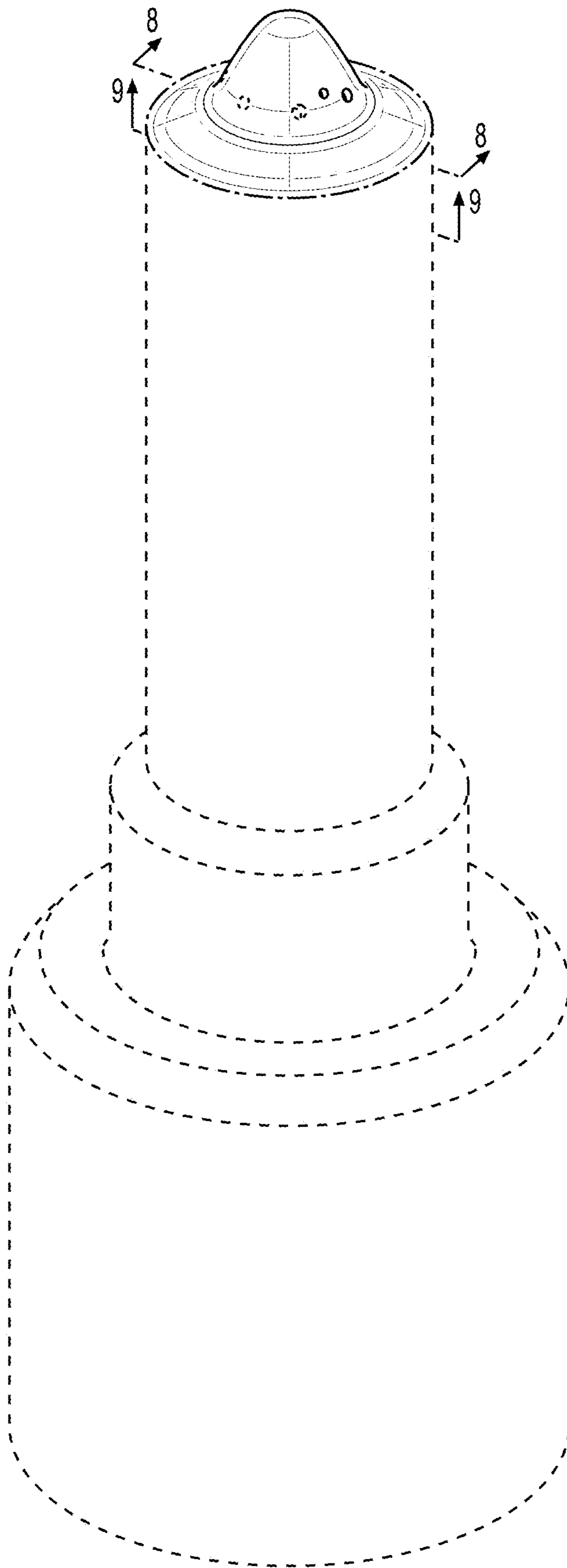
D734,427 S \* 7/2015 Bygbjerg ..... D23/213  
9,429,065 B2 8/2016 Zoeller et al.  
D872,828 S \* 1/2020 Bloom ..... D23/213  
D872,829 S \* 1/2020 Bloom ..... D23/213  
D900,961 S \* 11/2020 Wright ..... D23/213  
D903,051 S \* 11/2020 Bygbjerg ..... D23/226  
D931,409 S \* 9/2021 Stanca ..... D23/213  
11,136,954 B2 10/2021 Hosaka et al.  
2018/0363912 A1\* 12/2018 Graham ..... F23R 3/36  
2019/0234362 A1 8/2019 Salazar et al.  
2020/0088402 A1\* 3/2020 Kendrick ..... F23D 14/62  
2020/0333002 A1\* 10/2020 Chukrallah ..... F23R 3/28

OTHER PUBLICATIONS

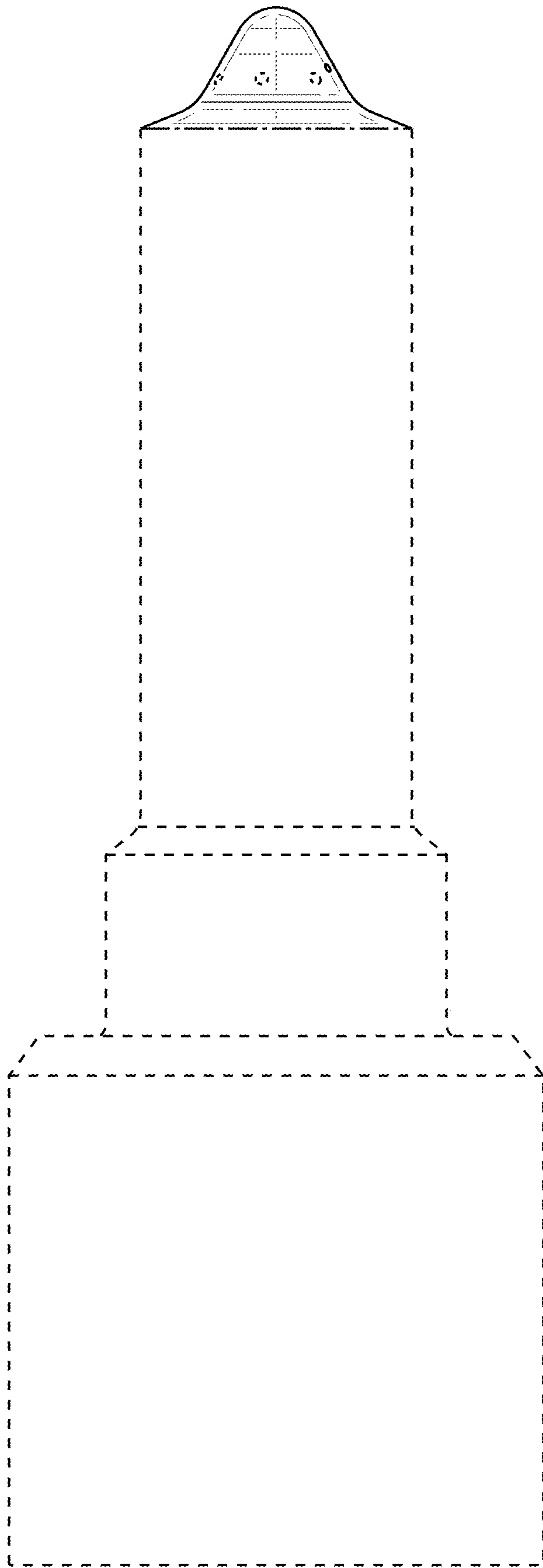
Dynomite Diesel DDP ISB75 Fuel Injector Set, Apr. 16, 2016,  
amazon.com, Dec. 1, 2021, URL: <https://www.amazon.com/Dynomite-Diesel-DDP-ISB75-Injector/dp/B01ECXSHOQ> (Year: 2016).\*

Office Action for U.S. Appl. No. 17/108,900, dated Dec. 29, 2021,  
Reed, "Fuel Injector Nozzle", 13 Pages.

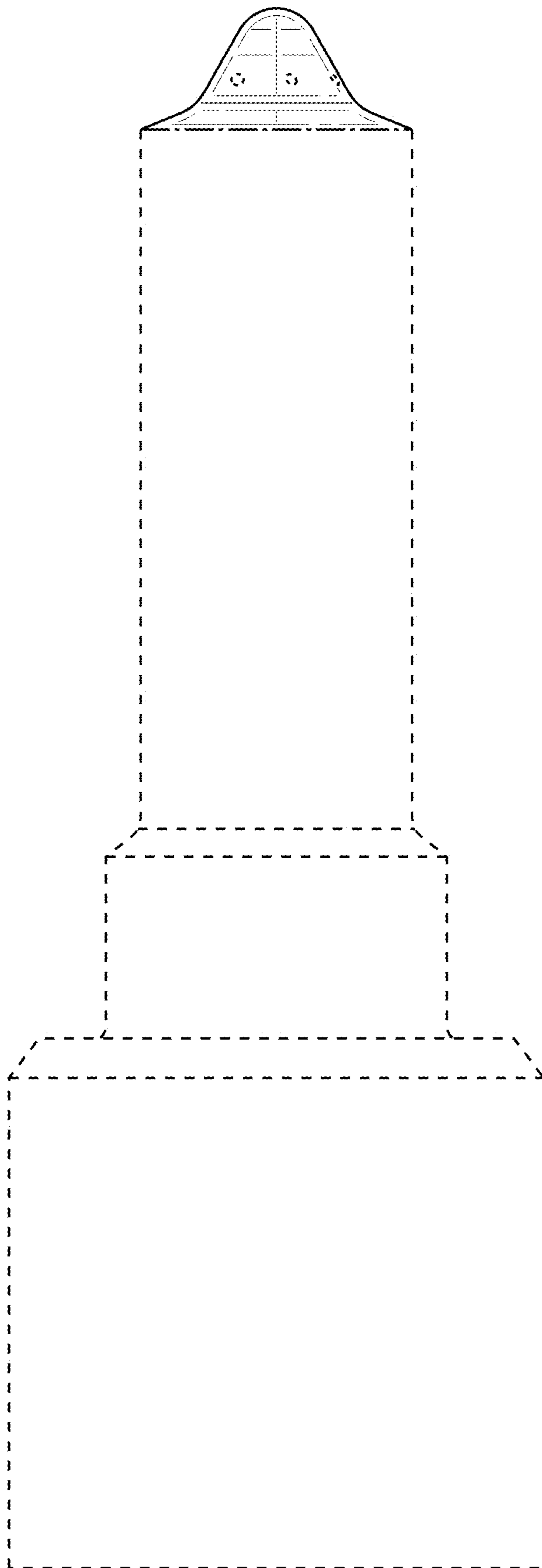
\* cited by examiner



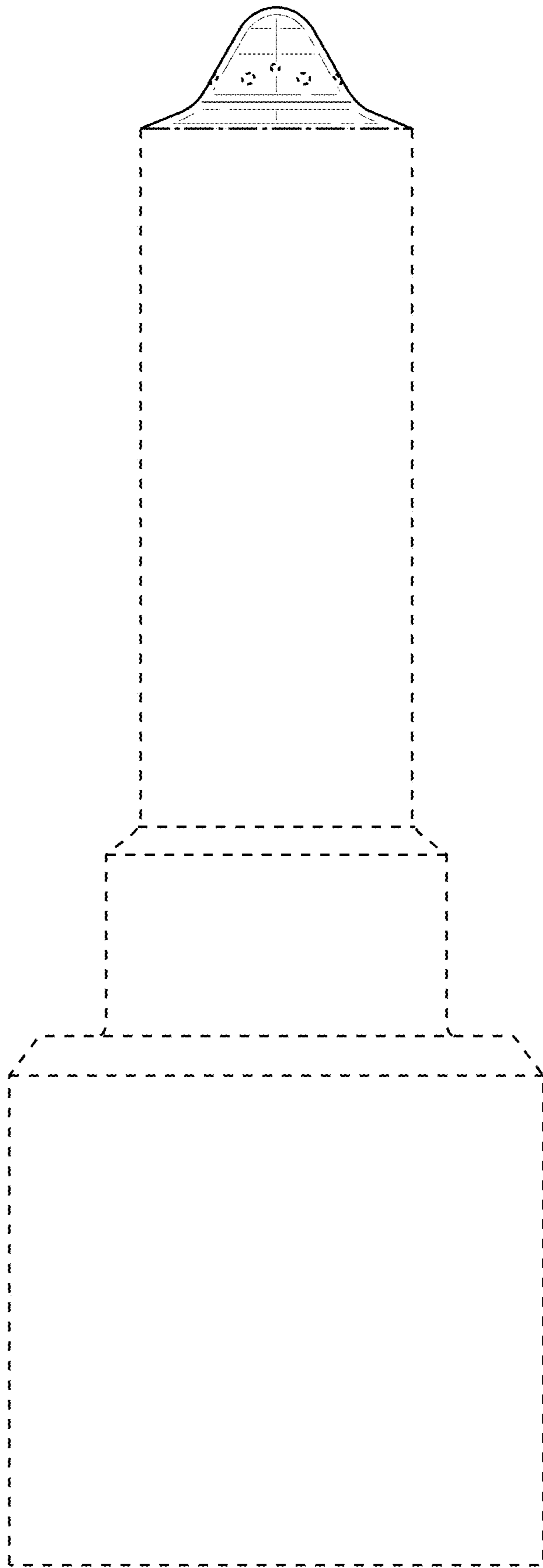
**FIG. 1**



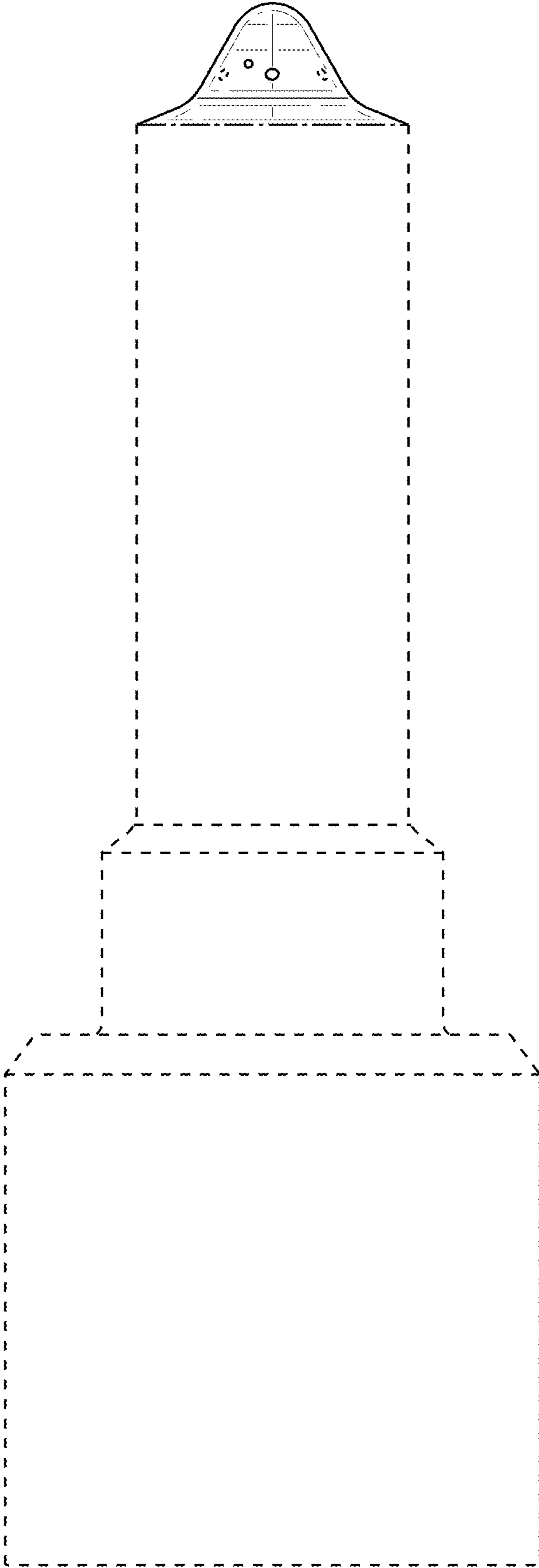
**FIG. 2**



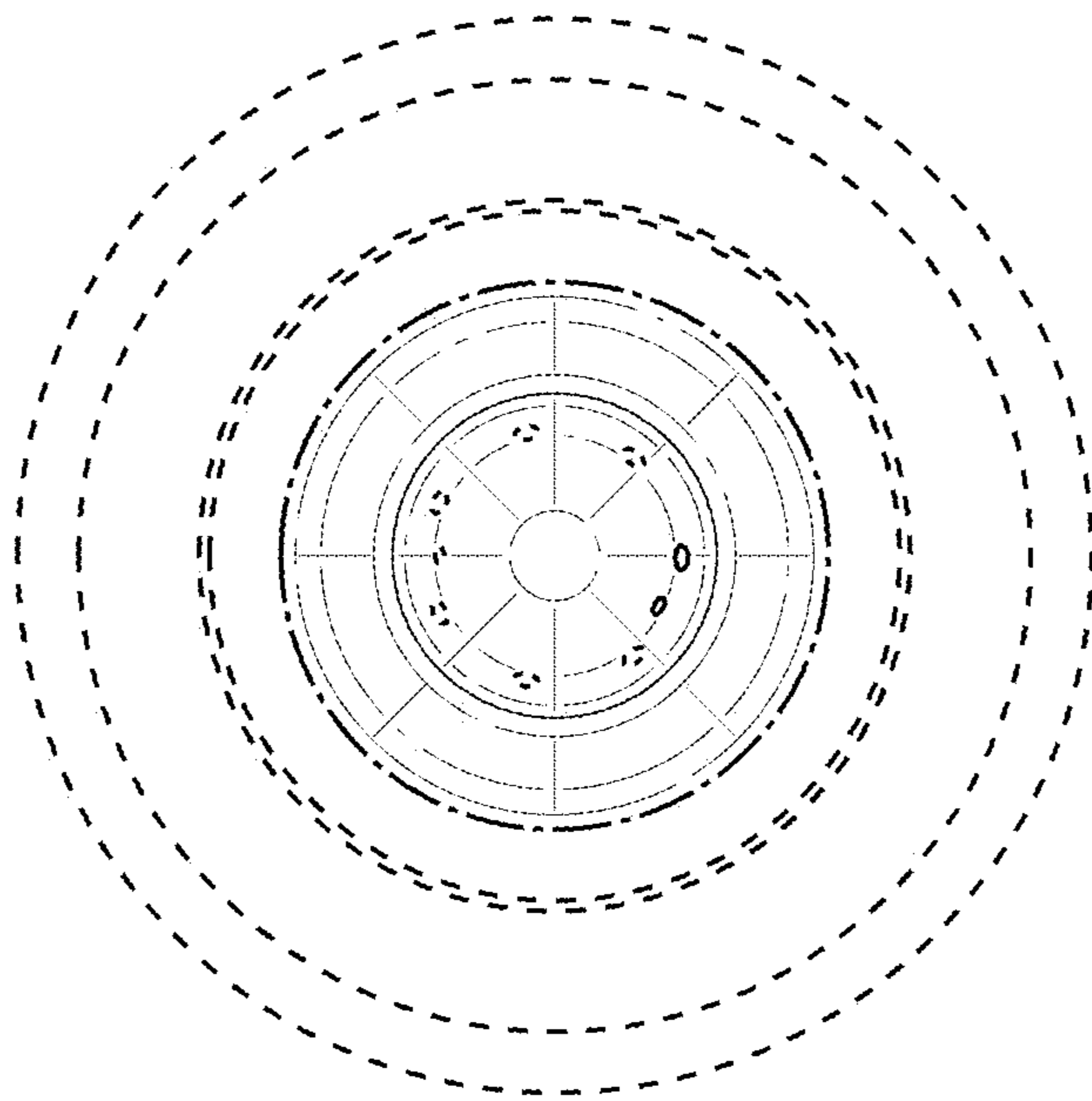
**FIG. 3**



**FIG. 4**

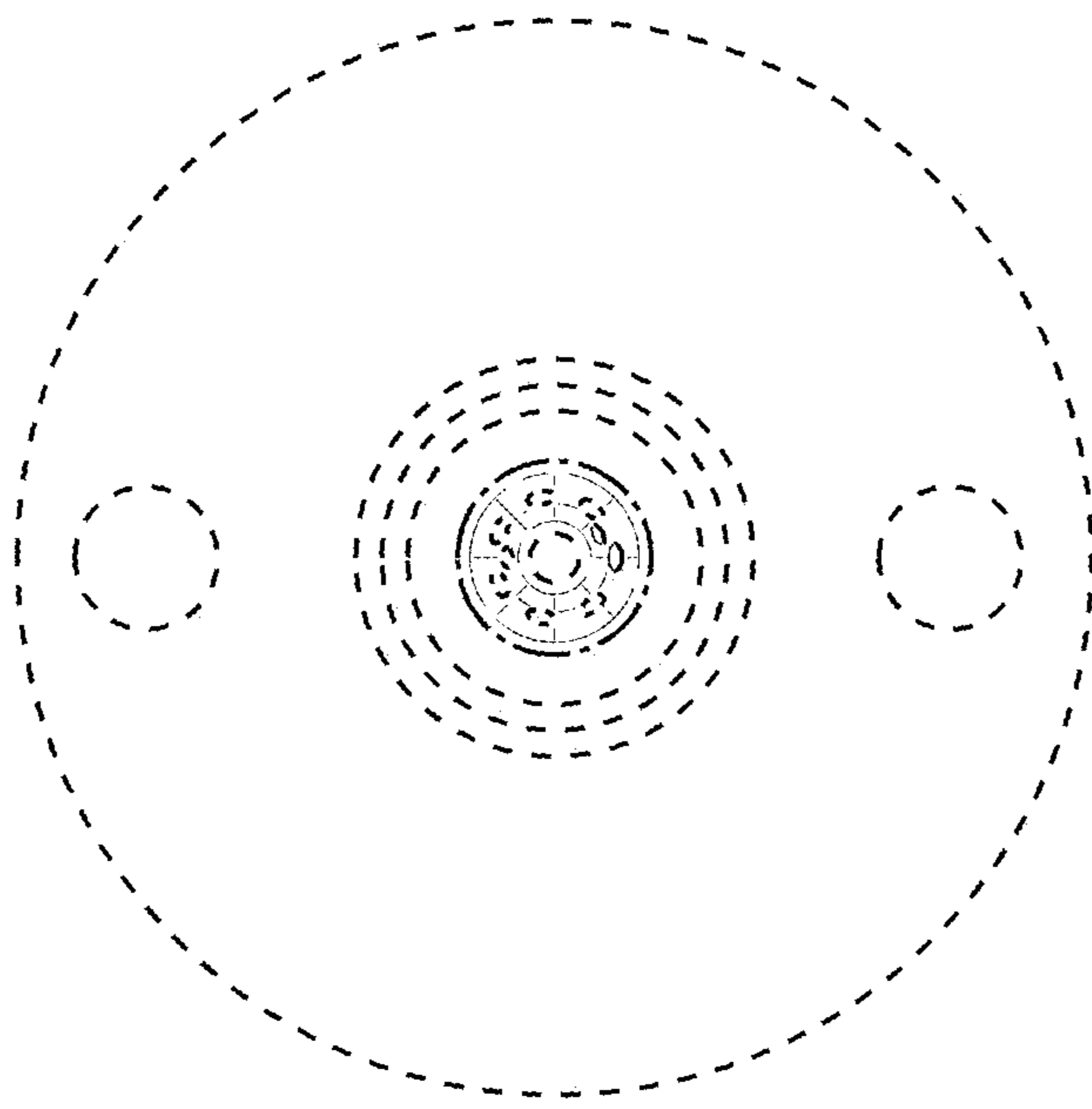


**FIG. 5**

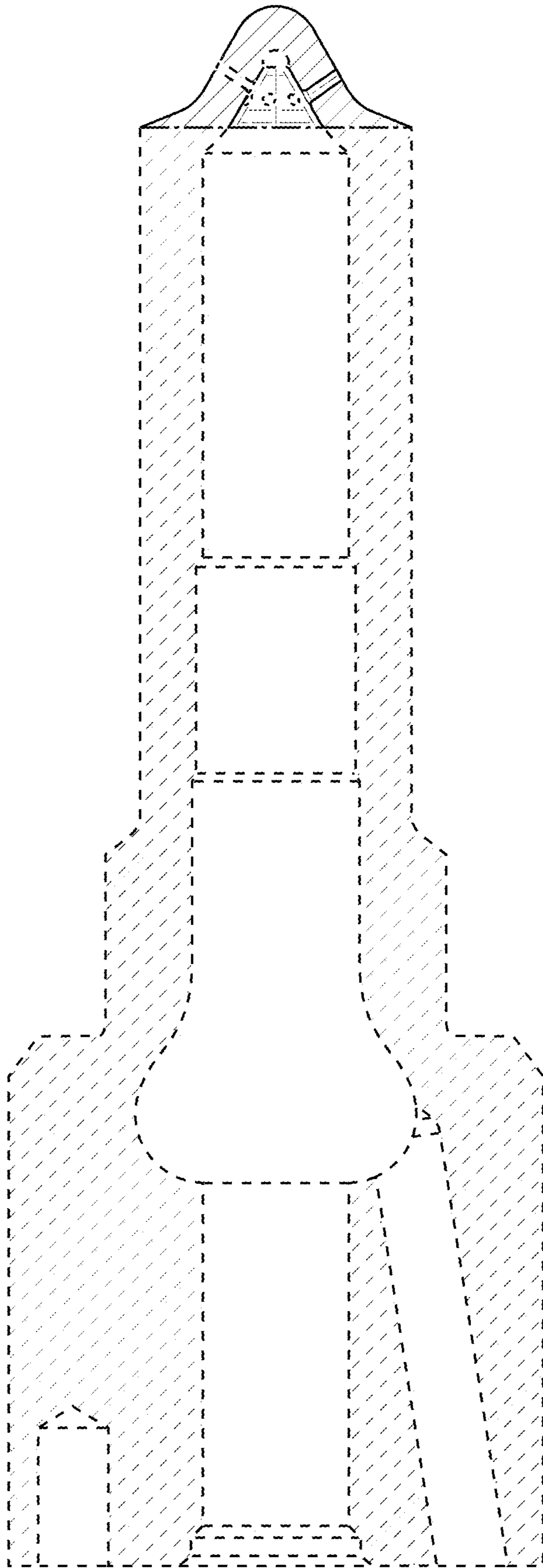


**FIG. 6**

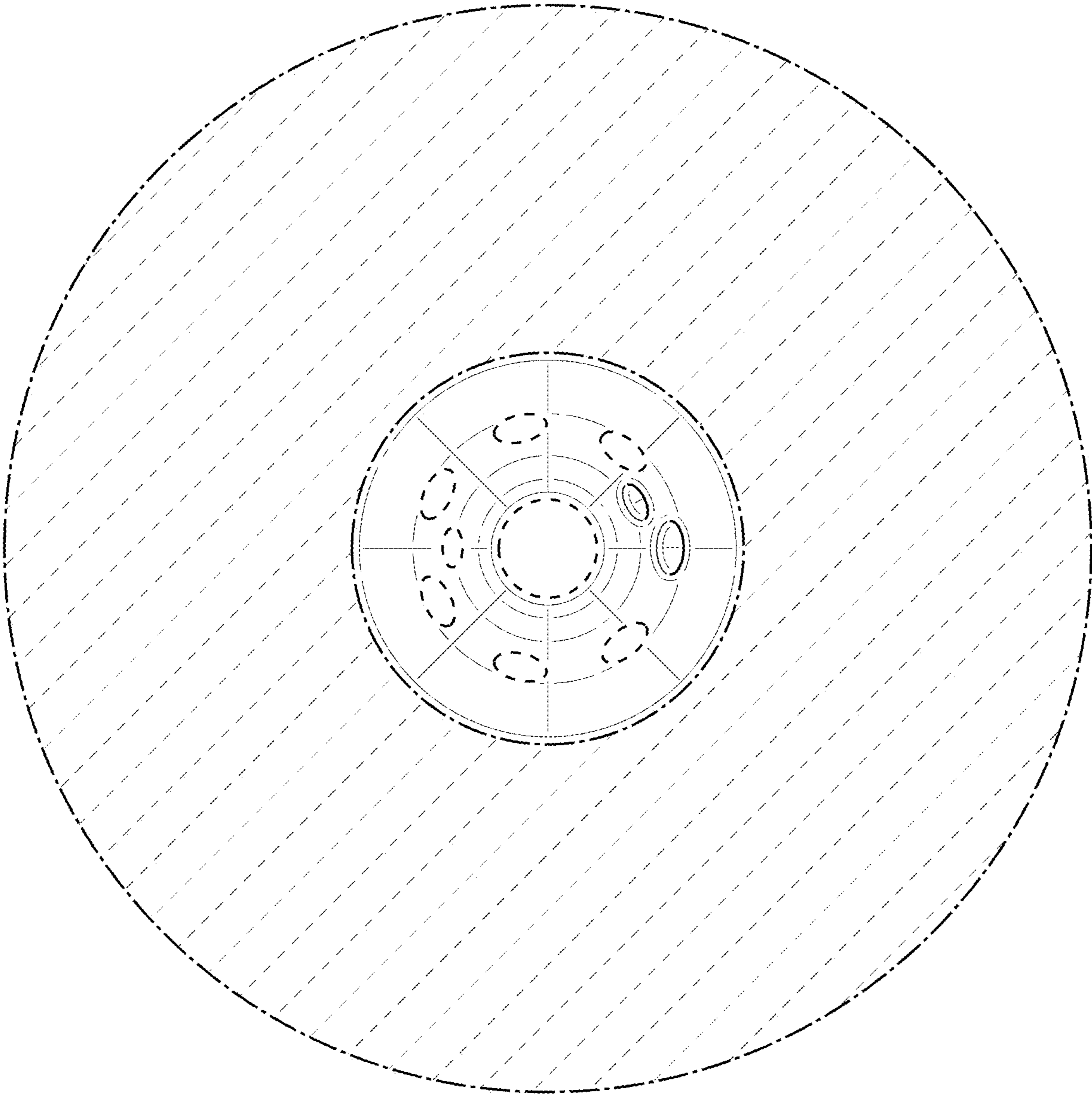




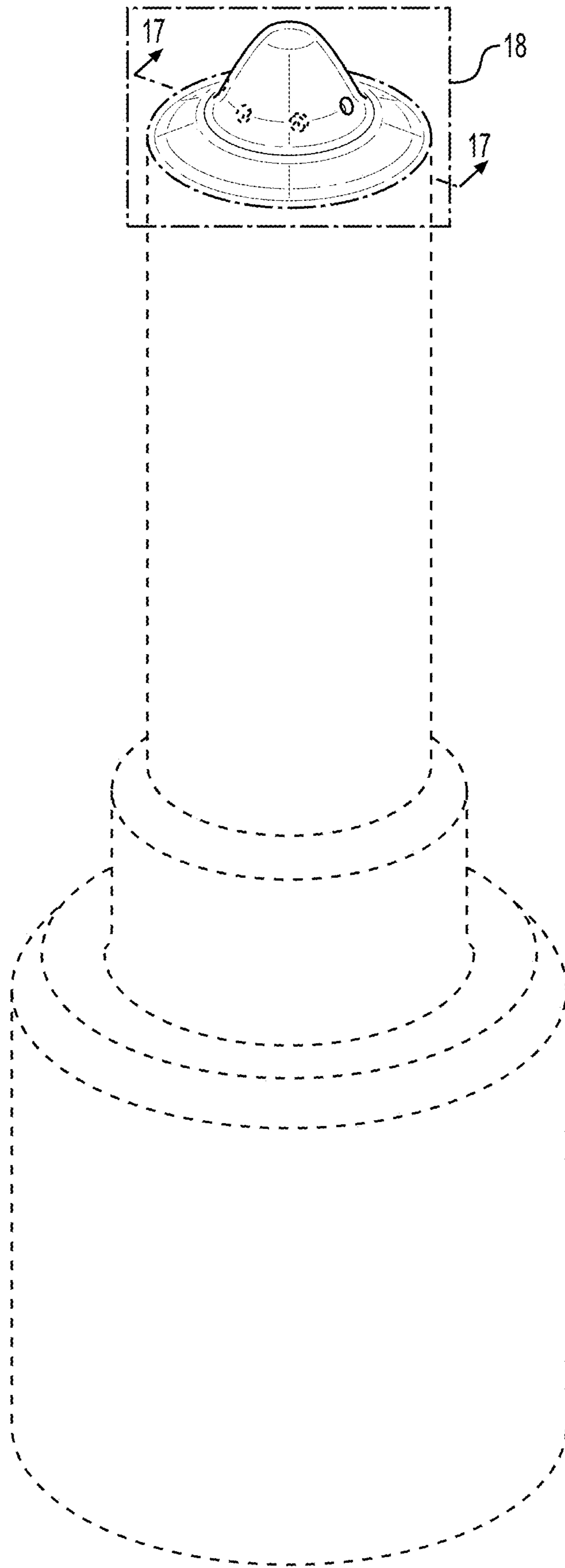
**FIG. 7**



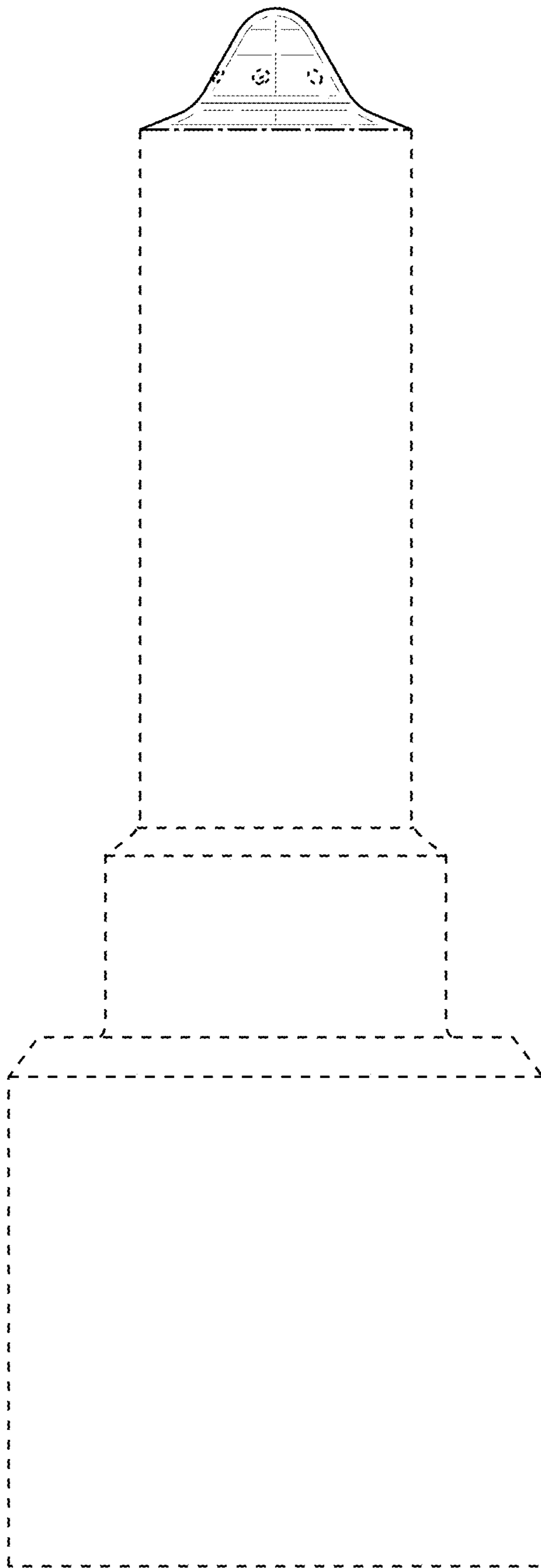
**FIG. 8**



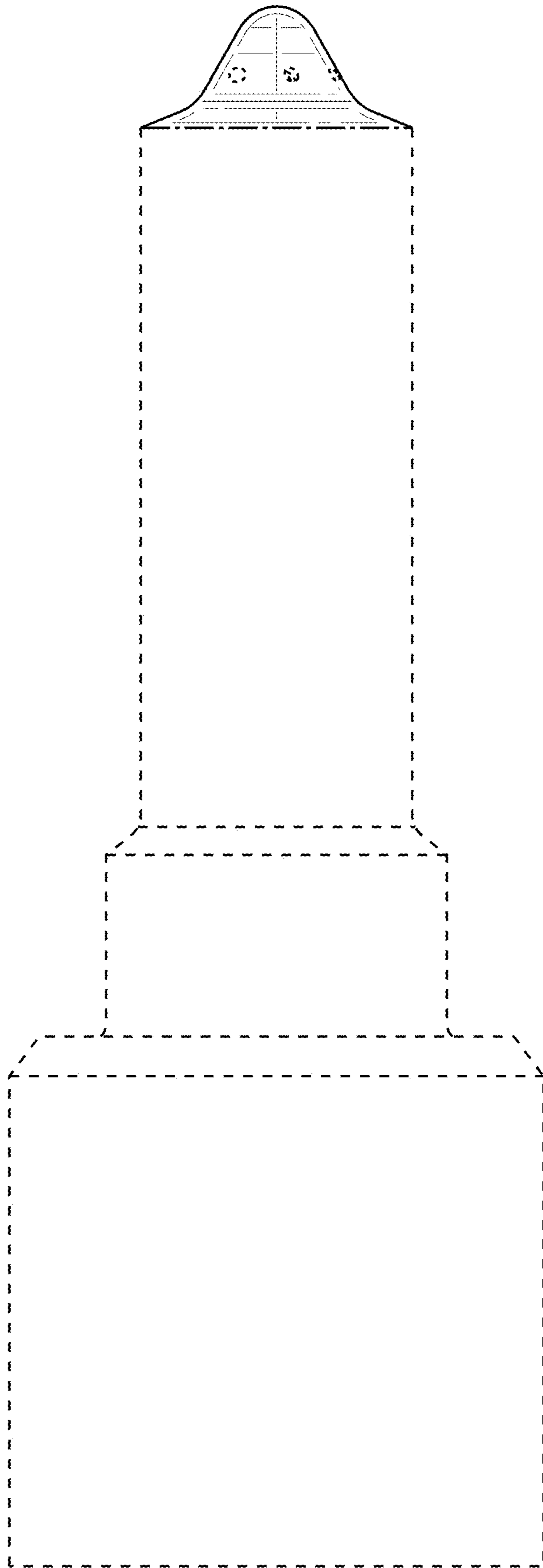
**FIG. 9**



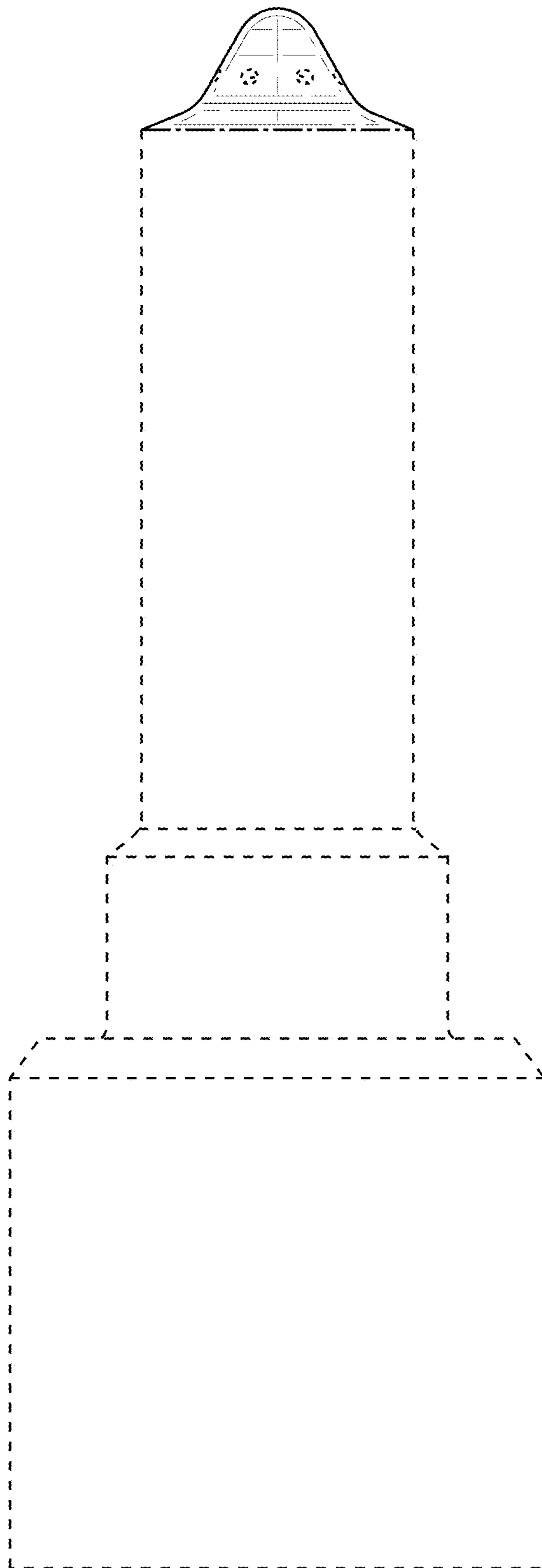
**FIG. 10**



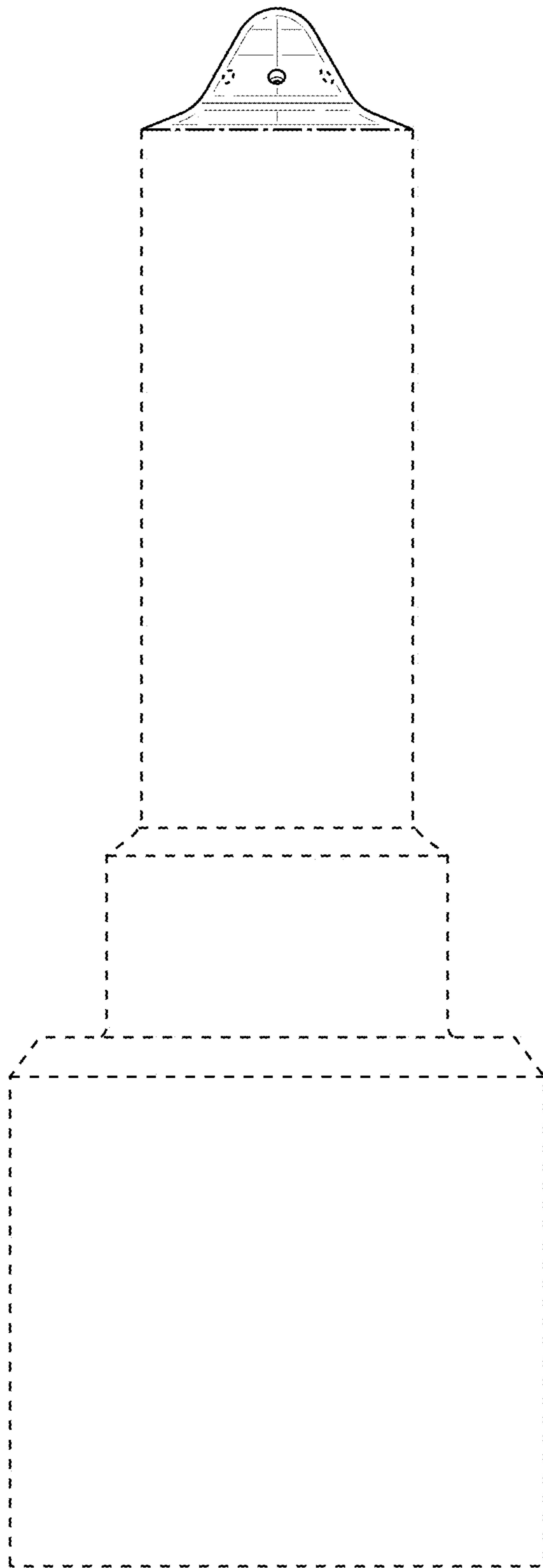
**FIG. 11**



**FIG. 12**

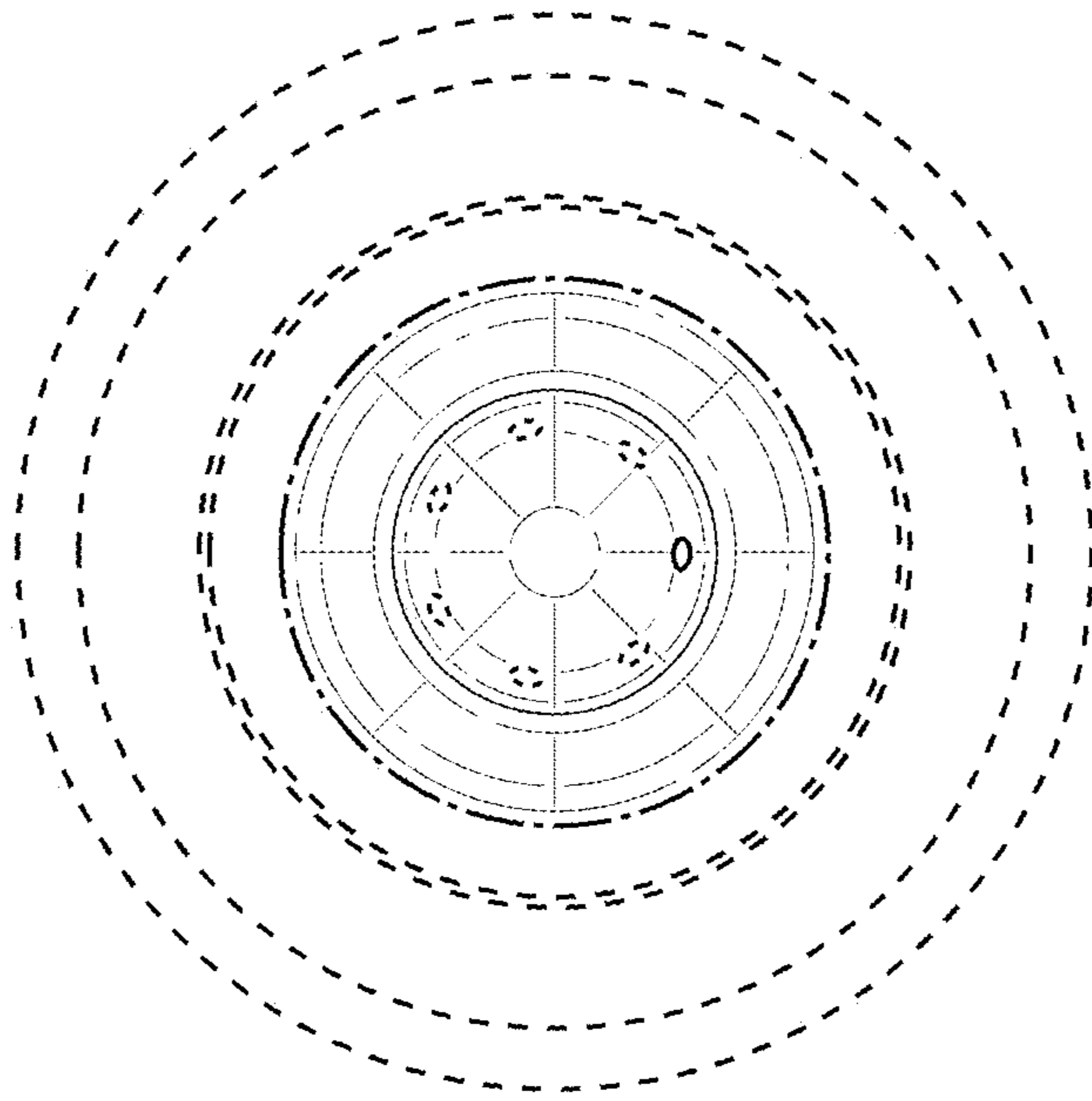


**FIG. 13**

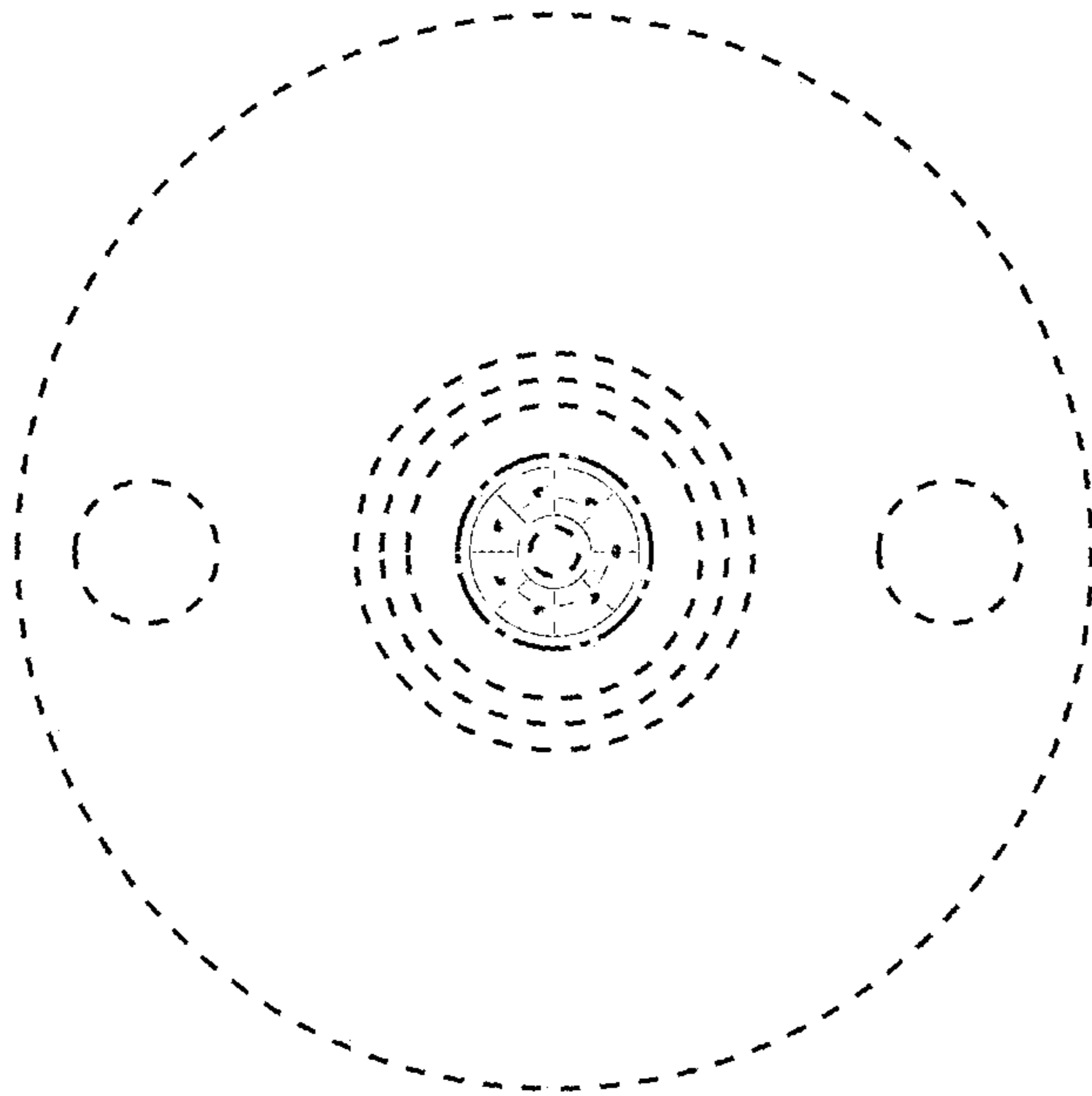


**FIG. 14**

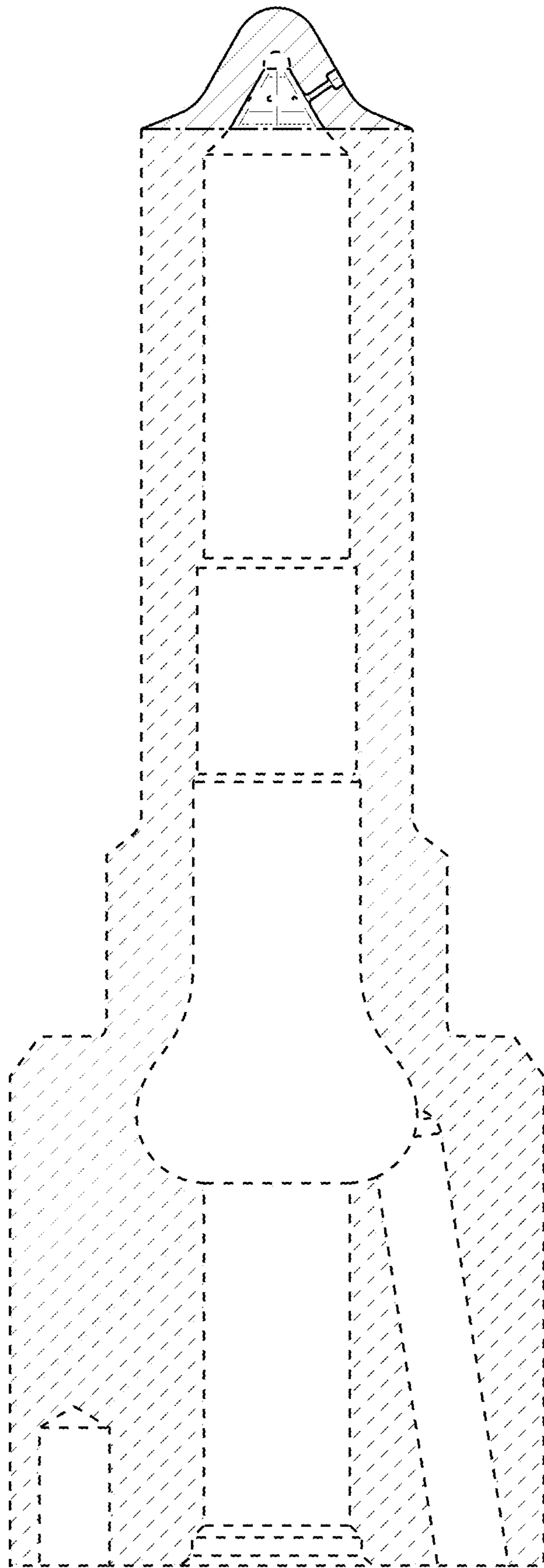




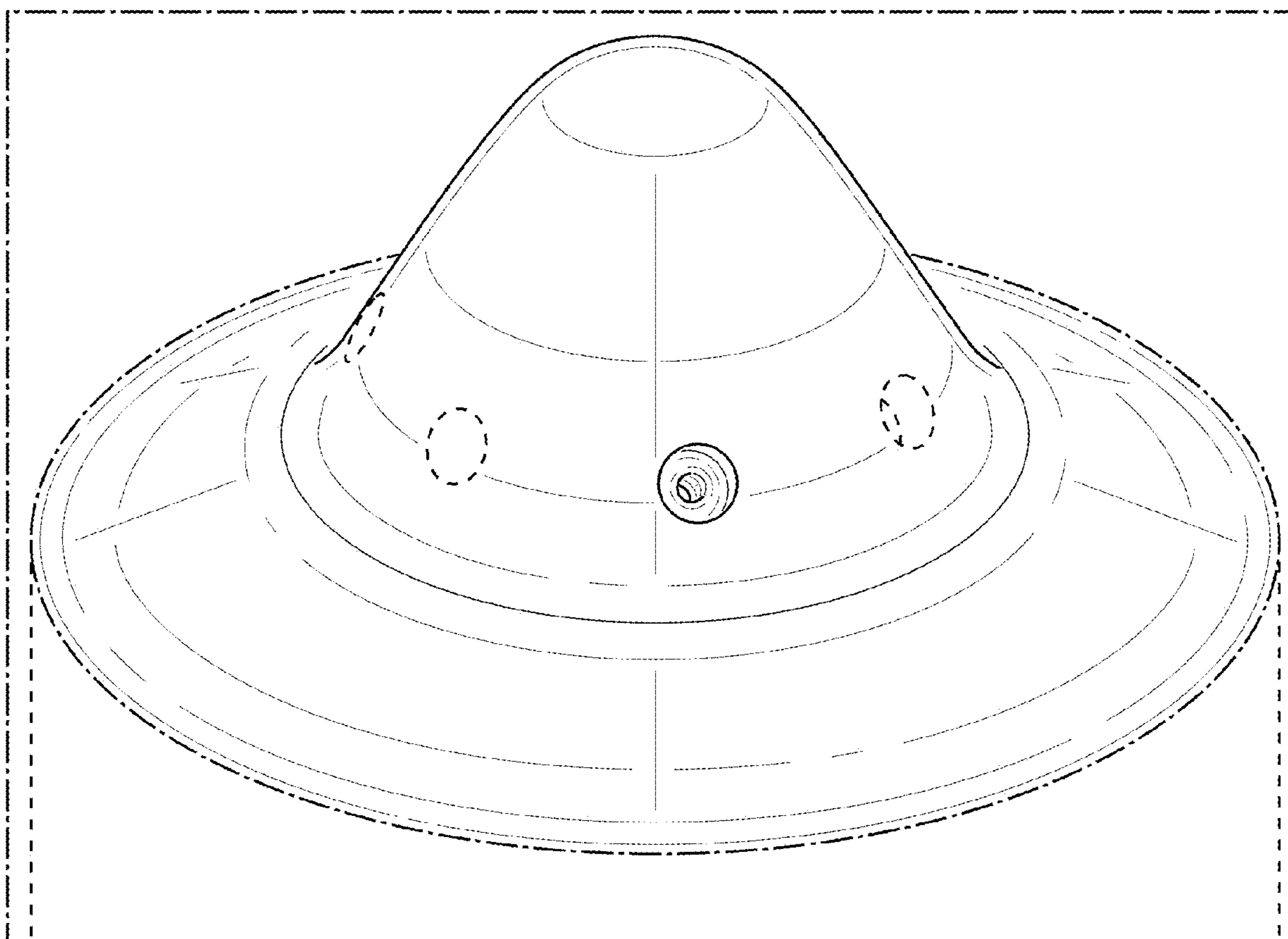
**FIG. 15**



**FIG. 16**



**FIG. 17**



**FIG. 18**