

US00D950009S

(12) **United States Design Patent**
McMahon et al.

(10) **Patent No.:** **US D950,009 S**
(45) **Date of Patent:** **** Apr. 26, 2022**

(54) MEMBRANE FILTRATION MODULE	6,048,456 A *	4/2000	Palmer	B01D 24/001 210/282
(71) Applicant: ROHM AND HAAS ELECTRONIC MATERIALS SINGAPORE PTE. LTD, Singapore (SG)	D462,699 S	9/2002	Johnson et al.	
	D478,913 S	8/2003	Johnson et al.	
	D561,300 S *	2/2008	Baba	D23/209
	D654,558 S *	2/2012	Zeng	D23/208
	D729,899 S	5/2015	Biltoft et al.	
(72) Inventors: Robert James McMahon, Leichhardt (AU); Tomasz Swiatek, Baulkham Hills (AU); Teo Hao Ying, Quakers Hill (AU)	D764,017 S	8/2016	McMahon et al.	
	D764,018 S	8/2016	Biltoft et al.	
	D767,713 S *	9/2016	Biltoft	D23/209
	D792,942 S *	7/2017	Adey	B01D 21/267 D23/209
	D793,523 S *	8/2017	Adey	F24D 19/0092 D23/209
(73) Assignee: ROHM AND HAAS ELECTRONIC MATERIALS SINGAPORE PTE. LTD, Singapore (SG)	D795,390 S *	8/2017	Huda	B01D 29/96 D23/209
	D878,516 S *	3/2020	Pathan	D23/209
(**) Term: 15 Years	2005/0155165 A1 *	7/2005	Tsai	B01D 35/26 15/1.7

(Continued)

(21) Appl. No.: **29/677,895**

Primary Examiner — Calvin E Vansant

(22) Filed: **Jan. 24, 2019**

(74) *Attorney, Agent, or Firm* — Kenneth Crimaldi

(51) **LOC (13) Cl.** **23-01**

(52) **U.S. Cl.**
USPC **D23/209**

(58) **Field of Classification Search**
USPC D23/207, 209, 200, 2, 205, 210, 259,
D23/260, 261; D7/700
CPC B01D 35/14; B01D 35/30; B01D 35/0276;
B01D 35/027; B01D 29/085; B01D
2201/29; B01D 2201/30; B01D 2201/291;
B01D 2201/295; B01D 2201/296; B01D
2201/298; B01D 2201/301; B01D
2201/306; B01D 2201/309; C02F 1/002
See application file for complete search history.

(57) **CLAIM**

We claim the ornamental design for a membrane filtration module, as shown and described.

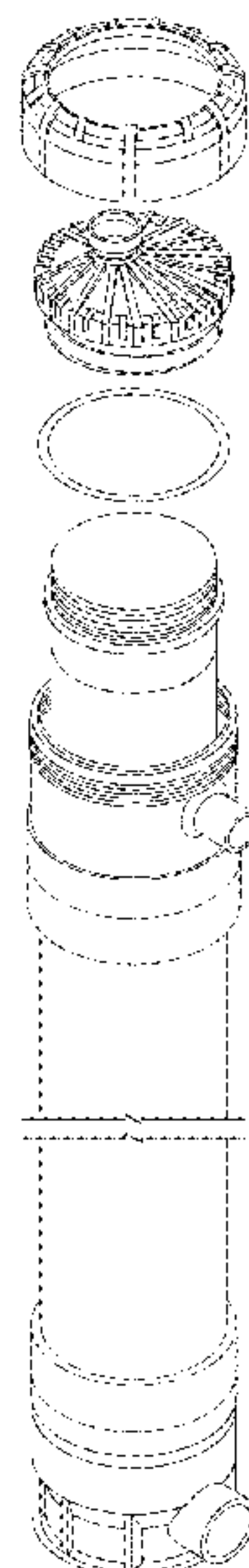
DESCRIPTION

FIG. 1 is a partial exploded isometric view;
FIG. 2 is a side elevation view;
FIG. 3 is a front elevation view;
FIG. 4 is a plan view from the top; and,
FIG. 5 is a plan view from the bottom.
The membrane filtration module is shown with a symbolic break in its length. The appearance of any portion of the article between the break lines forms no part of the claimed design. The dot-dash lines shown in FIGS. 3-5 indicate a boundary and form no part of the claimed design. The dash-dash lines in FIGS. 1-5 indicate portions of the article that form no part of the claimed design.

(56) **References Cited**
U.S. PATENT DOCUMENTS

D331,619 S	12/1992	Biltoft et al.
D334,614 S	4/1993	Biltoft et al.
D335,526 S	5/1993	Biltoft et al.

1 Claim, 5 Drawing Sheets



(56)

References Cited

U.S. PATENT DOCUMENTS

2015/0151220 A1* 6/2015 Adey B01D 21/0009
210/512.1
2017/0043354 A1* 2/2017 Adey F24D 19/0092
2020/0078716 A1* 3/2020 Volker B01D 35/306

* cited by examiner

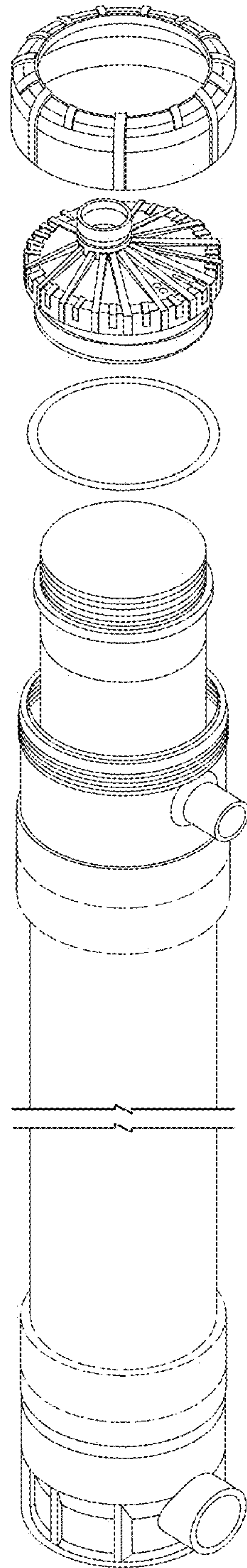


FIG. 1

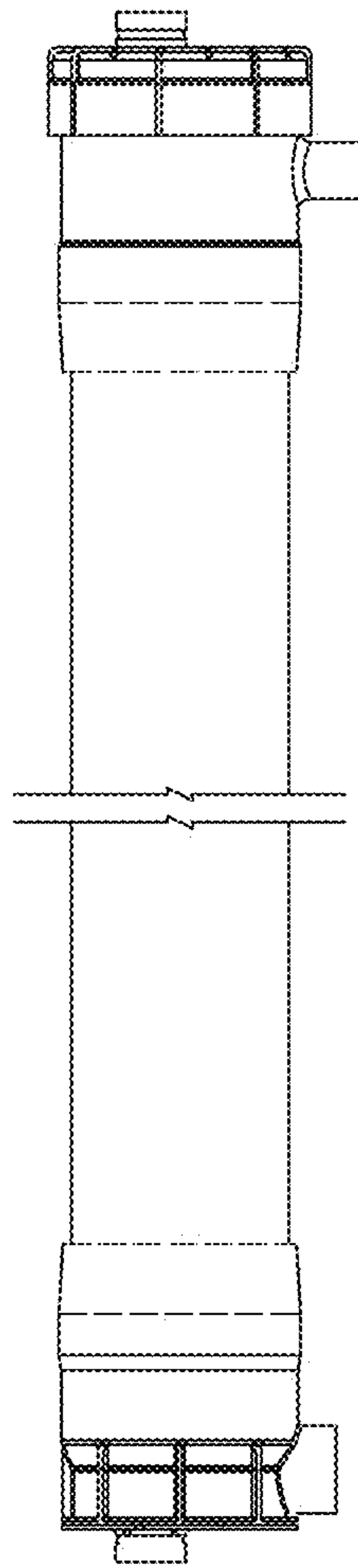


FIG. 2

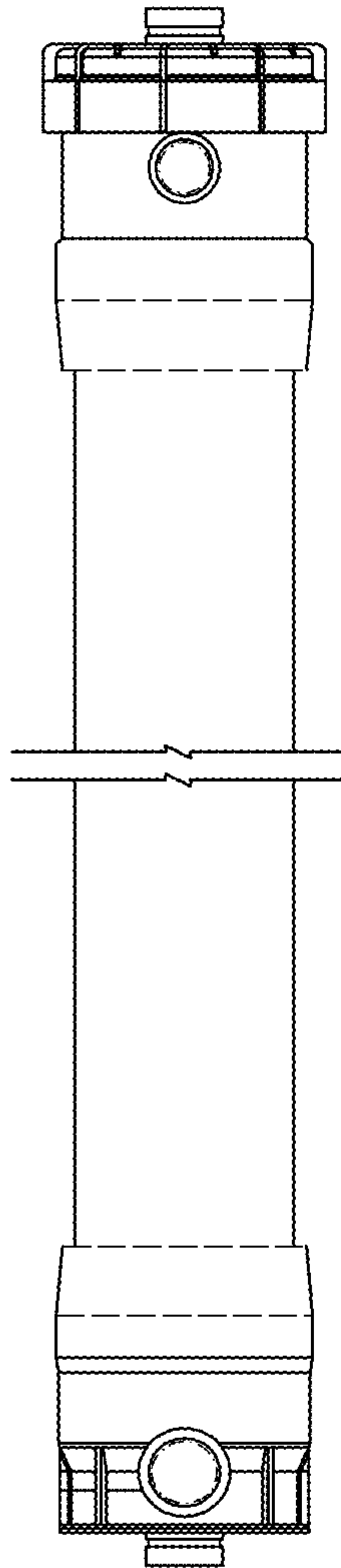


FIG. 3

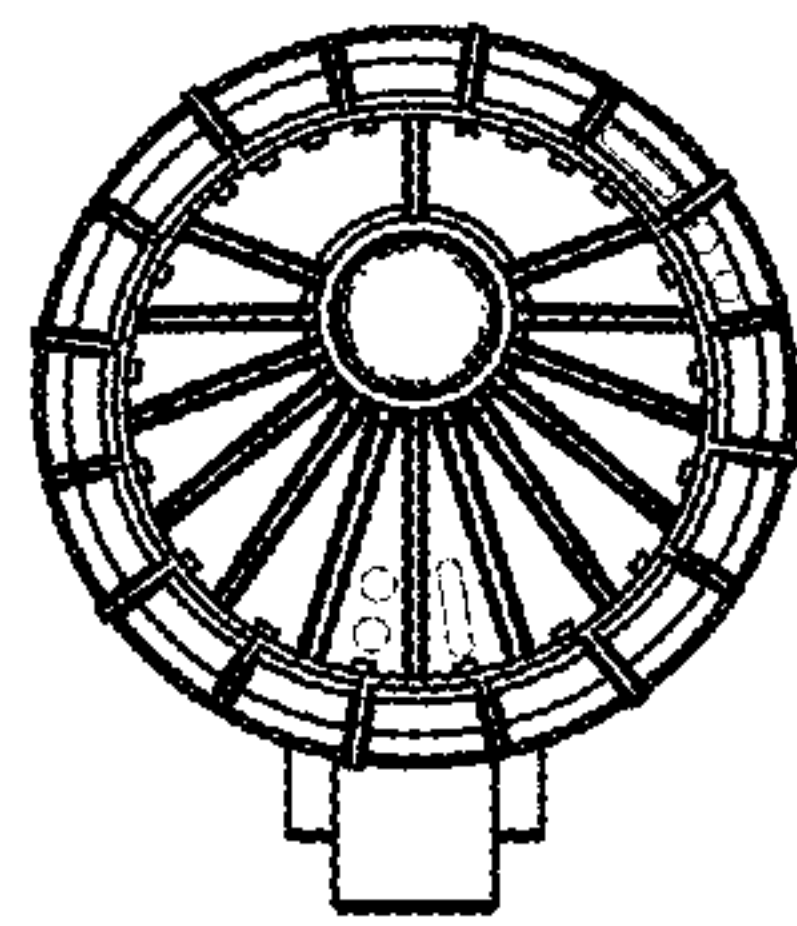


FIG. 4

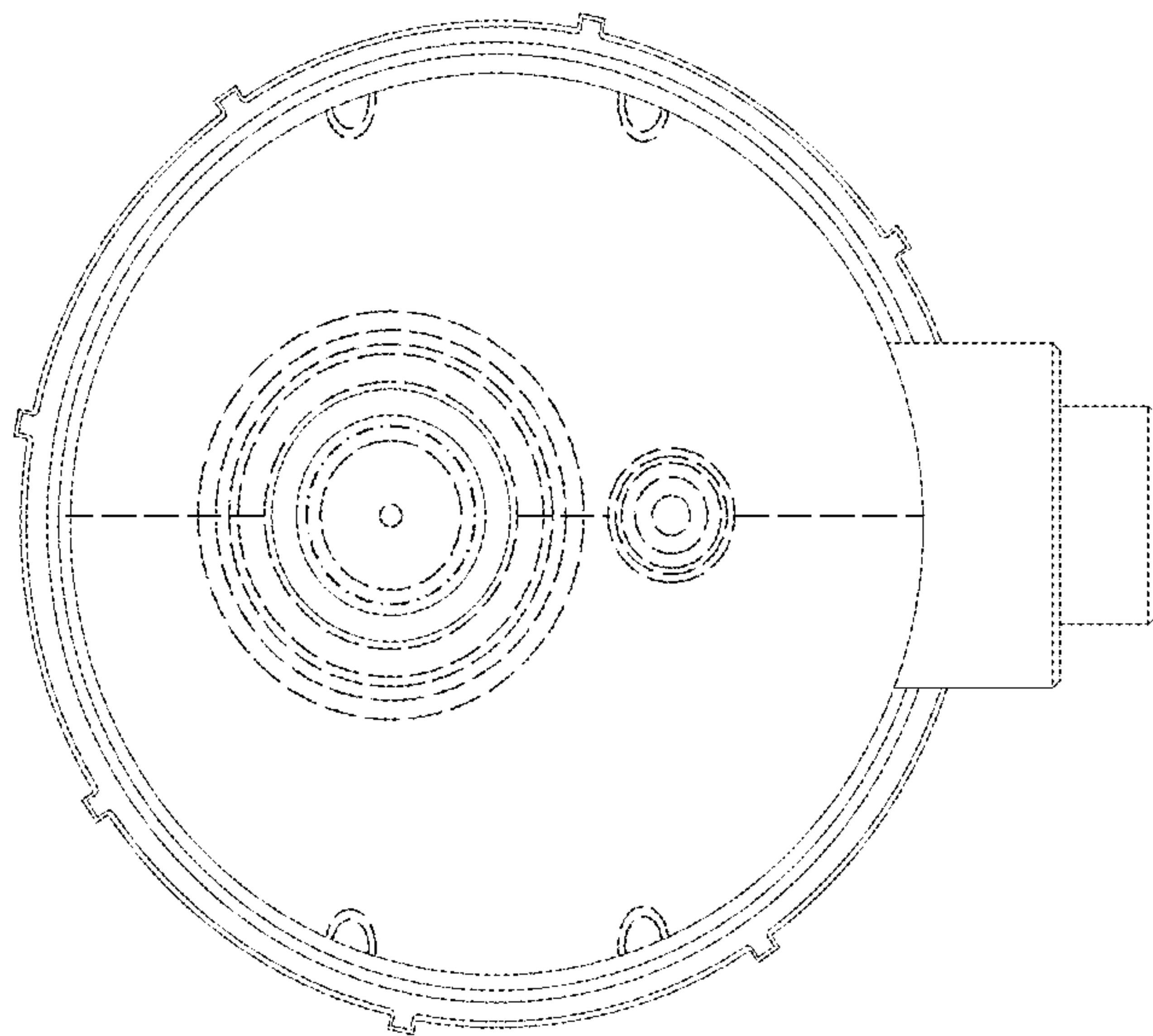


FIG. 5