



US00D950008S

(12) **United States Design Patent** (10) **Patent No.:** **US D950,008 S**  
**Grover et al.** (45) **Date of Patent:** **\*\* Apr. 26, 2022**

(54) **CARTRIDGE**  
(71) Applicant: **AS America, Inc.**, Piscataway, NJ (US)  
(72) Inventors: **David Grover**, Stockton, NJ (US);  
**Corey Petersen**, Bordentown, NJ (US);  
**Ki Bok Song**, Plainview, NY (US)  
(73) Assignee: **AS America, Inc.**, Piscataway, NJ (US)  
(\*\*) Term: **15 Years**

D450,106 S \* 11/2001 Herr ..... D23/261  
D612,914 S \* 3/2010 Morad ..... D23/261  
D717,594 S \* 11/2014 Taketani ..... D7/400  
D781,401 S \* 3/2017 Yan ..... D23/261  
10,124,281 B2 \* 11/2018 Heilman ..... B01D 35/153  
D914,838 S \* 3/2021 Grover ..... E03D 9/031  
D23/209  
10,974,248 B2 \* 4/2021 Demia ..... B01L 3/563  
2015/0345123 A1 \* 12/2015 Grover ..... E03D 9/031  
4/226.1

(21) Appl. No.: **29/771,663**  
(22) Filed: **Feb. 24, 2021**

\* cited by examiner  
*Primary Examiner* — Calvin E Vansant  
(74) *Attorney, Agent, or Firm* — Tyler A. Stevenson;  
Anna-lisa L. Gallo

**Related U.S. Application Data**

(60) Division of application No. 29/661,476, filed on Aug. 28, 2018, now Pat. No. Des. 914,838, which is a continuation of application No. 15/415,502, filed on Jan. 25, 2017, now Pat. No. 10,465,366, which is a continuation-in-part of application No. 14/723,003, filed on May 27, 2015, now Pat. No. 10,294,643.

(57) **CLAIM**

The ornamental design for a cartridge, as shown and described.

(51) **LOC (13) Cl.** ..... **23-01**  
(52) **U.S. Cl.**  
USPC ..... **D23/208**

**DESCRIPTION**

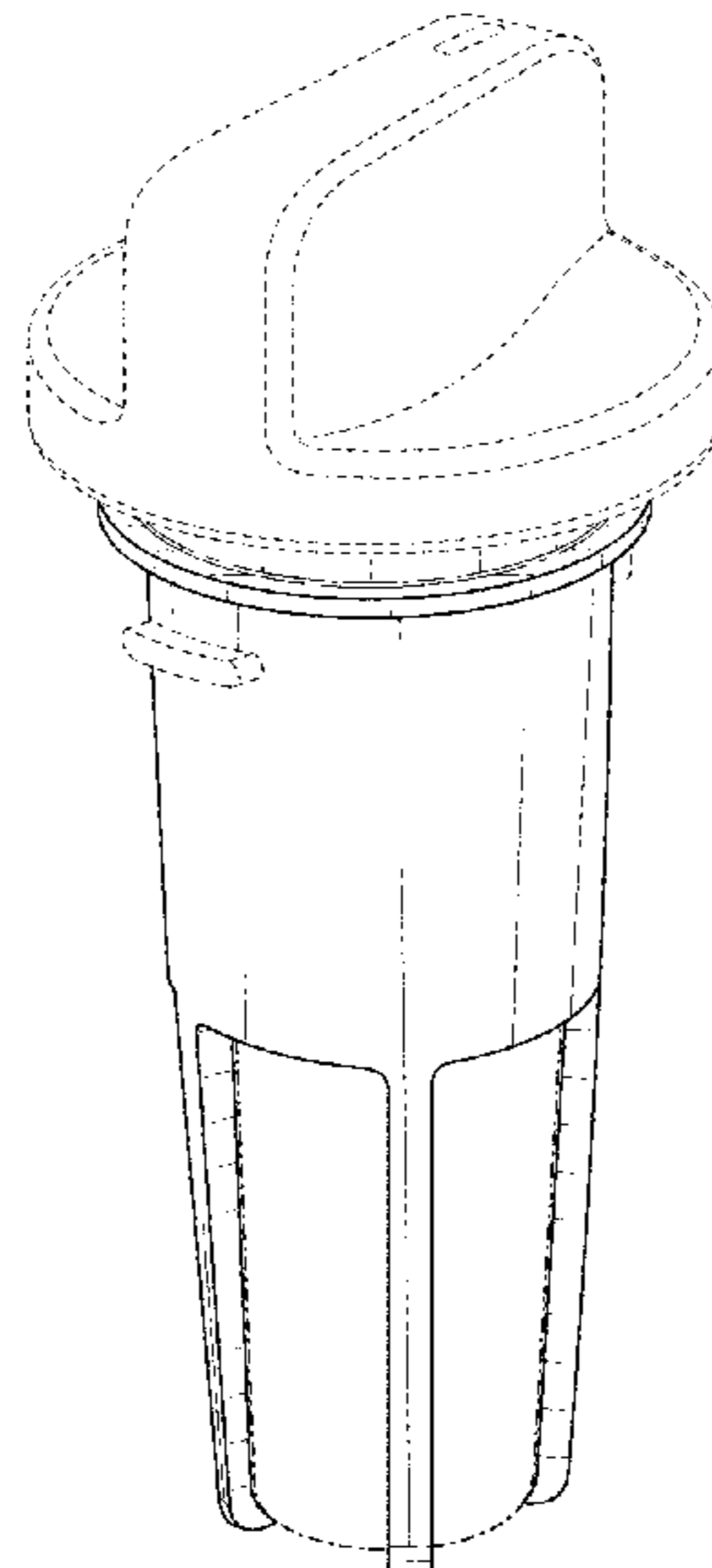
(58) **Field of Classification Search**  
USPC ..... D23/202, 205, 207, 208, 209, 259, 260,  
D23/261, 262  
CPC ..... B01D 2201/29; B01D 2201/30; B01D  
2201/301; B01D 2201/302; B01D  
2201/306; B01D 2201/309; B01D 35/30;  
C02F 1/002; C02F 1/003  
See application file for complete search history.

FIG. 1 is a perspective view of a cartridge, showing our new design;  
FIG. 2 is a front view of the cartridge of FIG. 1;  
FIG. 3 is a rear view of the cartridge of FIG. 1;  
FIG. 4 is a left view of the cartridge of FIG. 1;  
FIG. 5 is a right view of the cartridge of FIG. 1;  
FIG. 6 is a top view of the cartridge of FIG. 1; and,  
FIG. 7 is a bottom view of the cartridge of FIG. 1.  
Dashed broken lines depict portions of the cartridge that form no part of the claimed design; dot-dash broken lines represent the boundary of the claimed design and form no part thereof.

(56) **References Cited**  
U.S. PATENT DOCUMENTS

D187,205 S \* 2/1960 Laughlin ..... B01D 35/153  
D23/261  
4,882,055 A \* 11/1989 Stamstad ..... B01D 29/111  
210/483

**1 Claim, 4 Drawing Sheets**



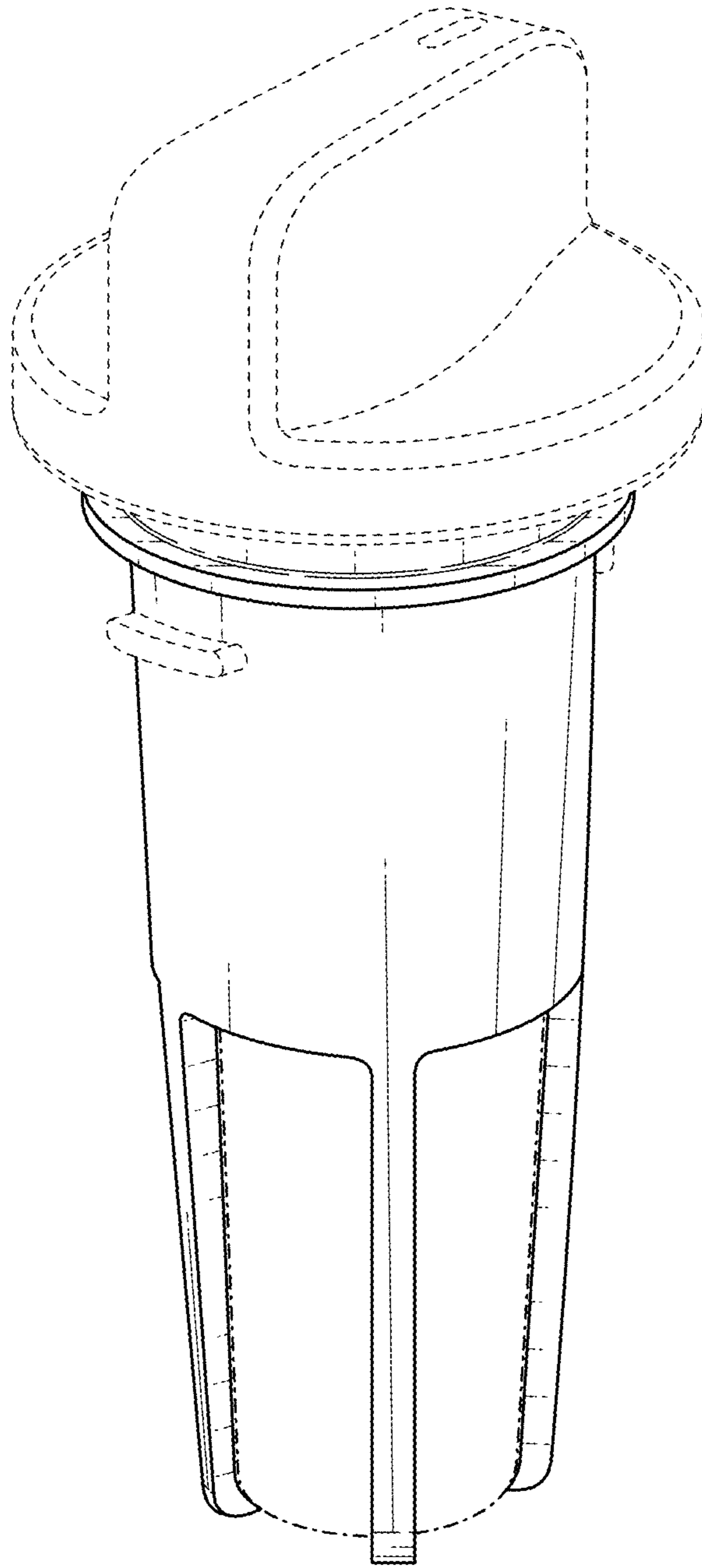


FIG. 1

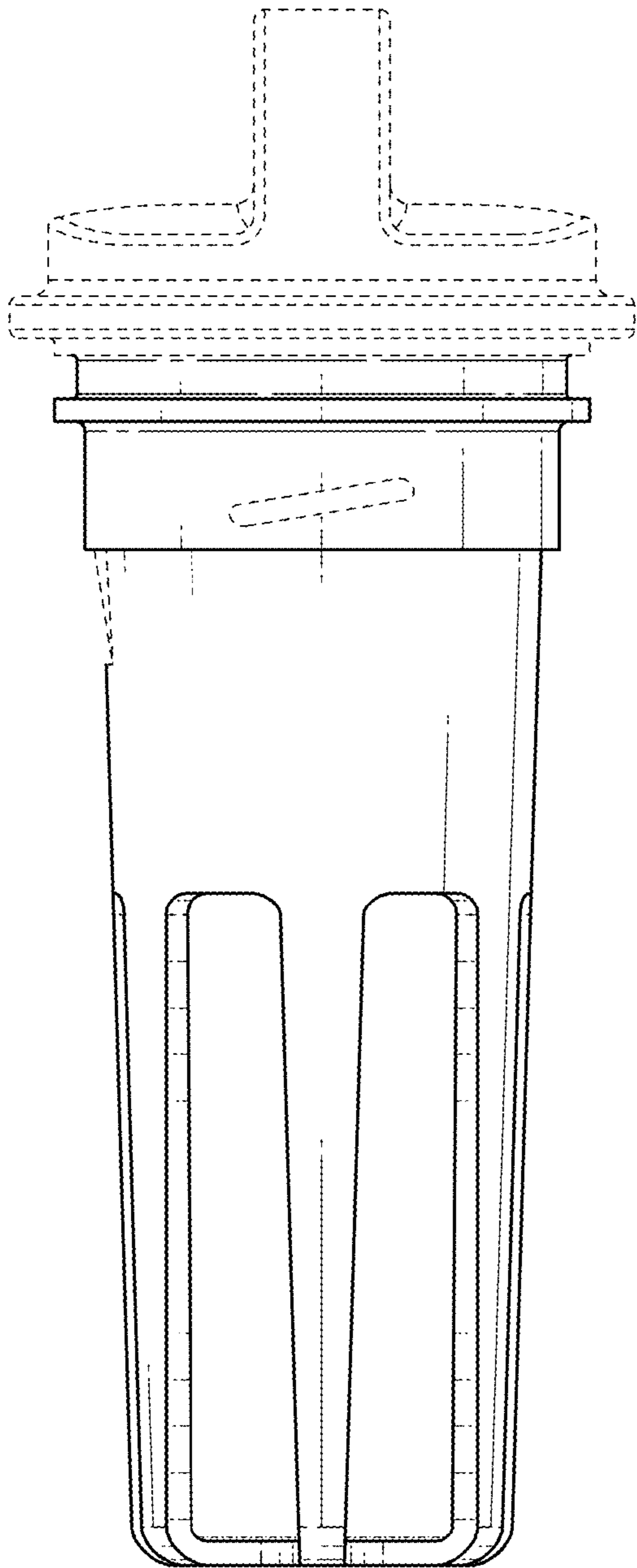


FIG. 2

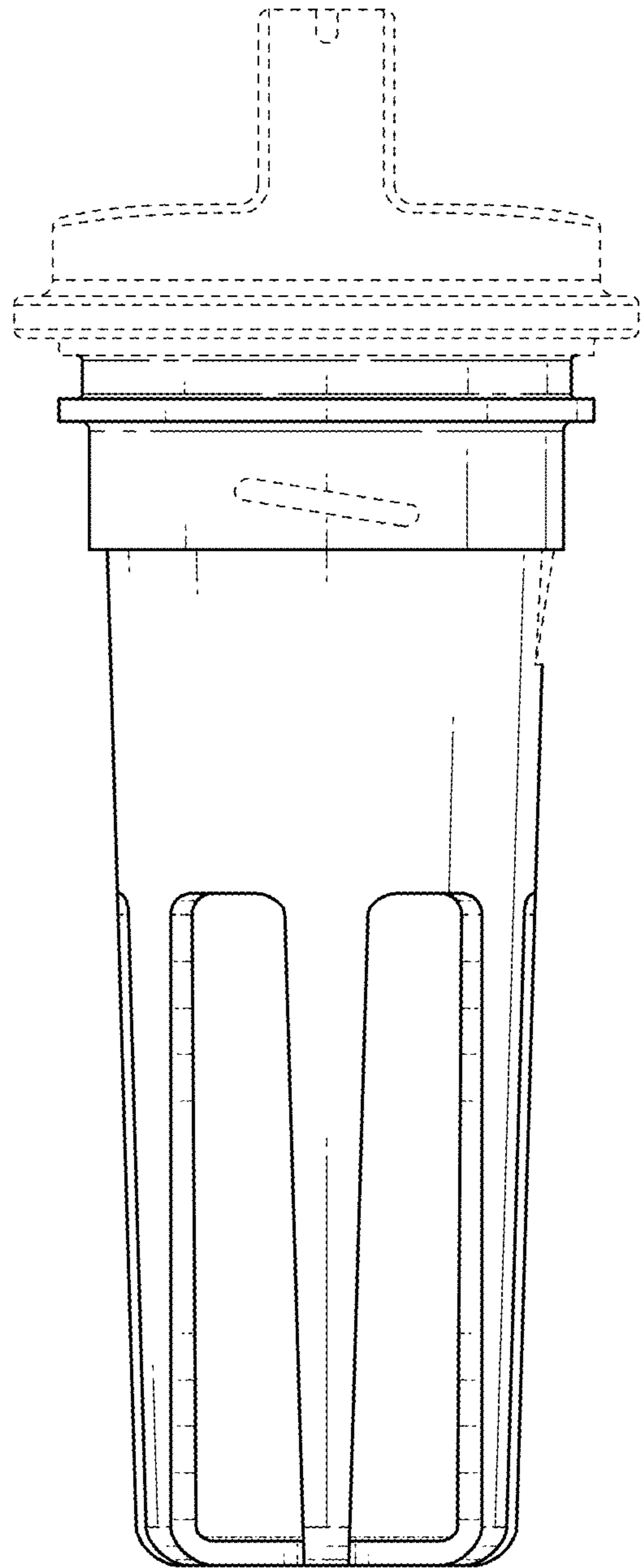


FIG. 3

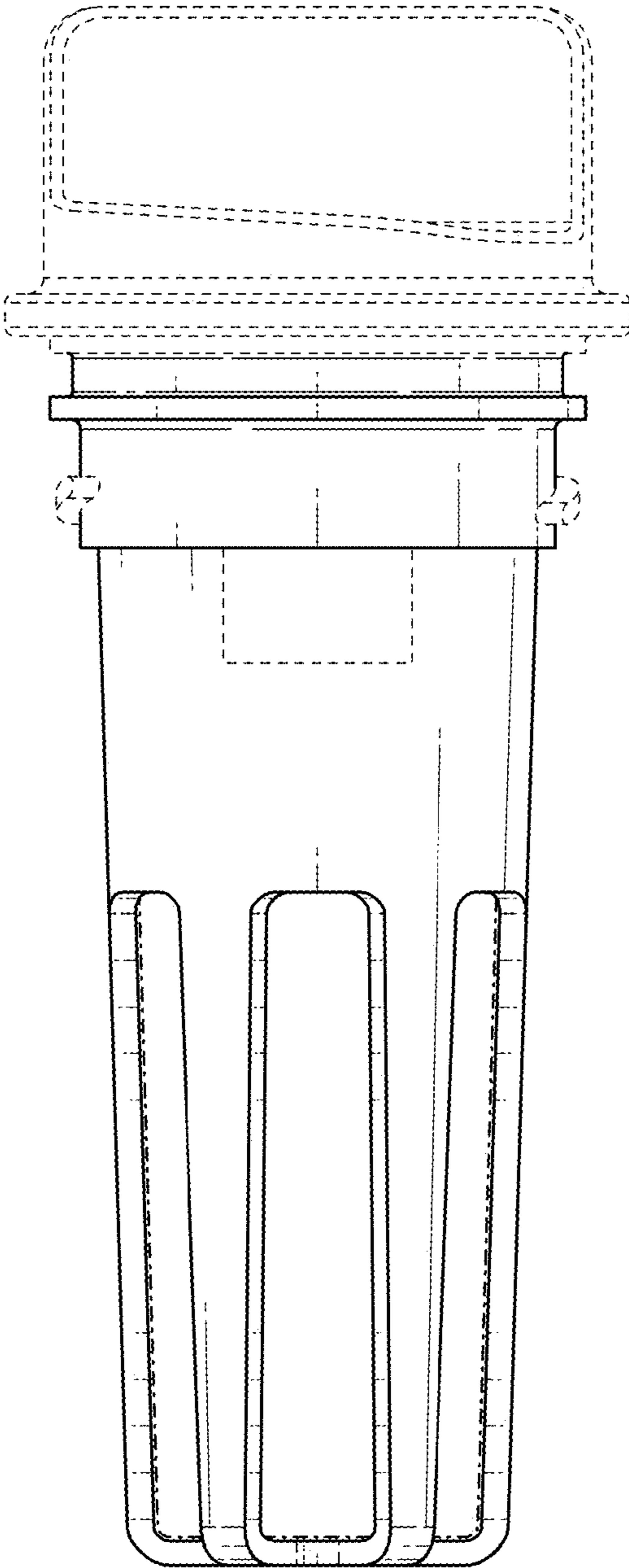


FIG. 4

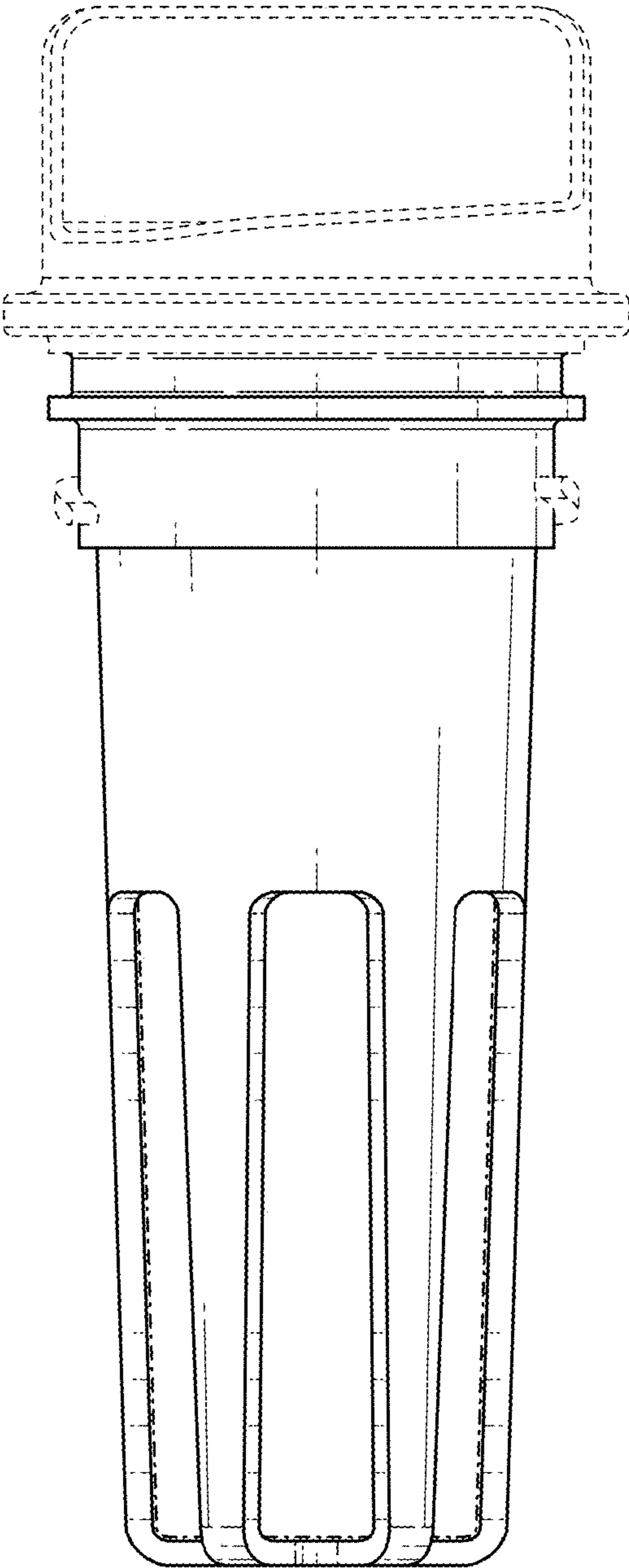


FIG. 5

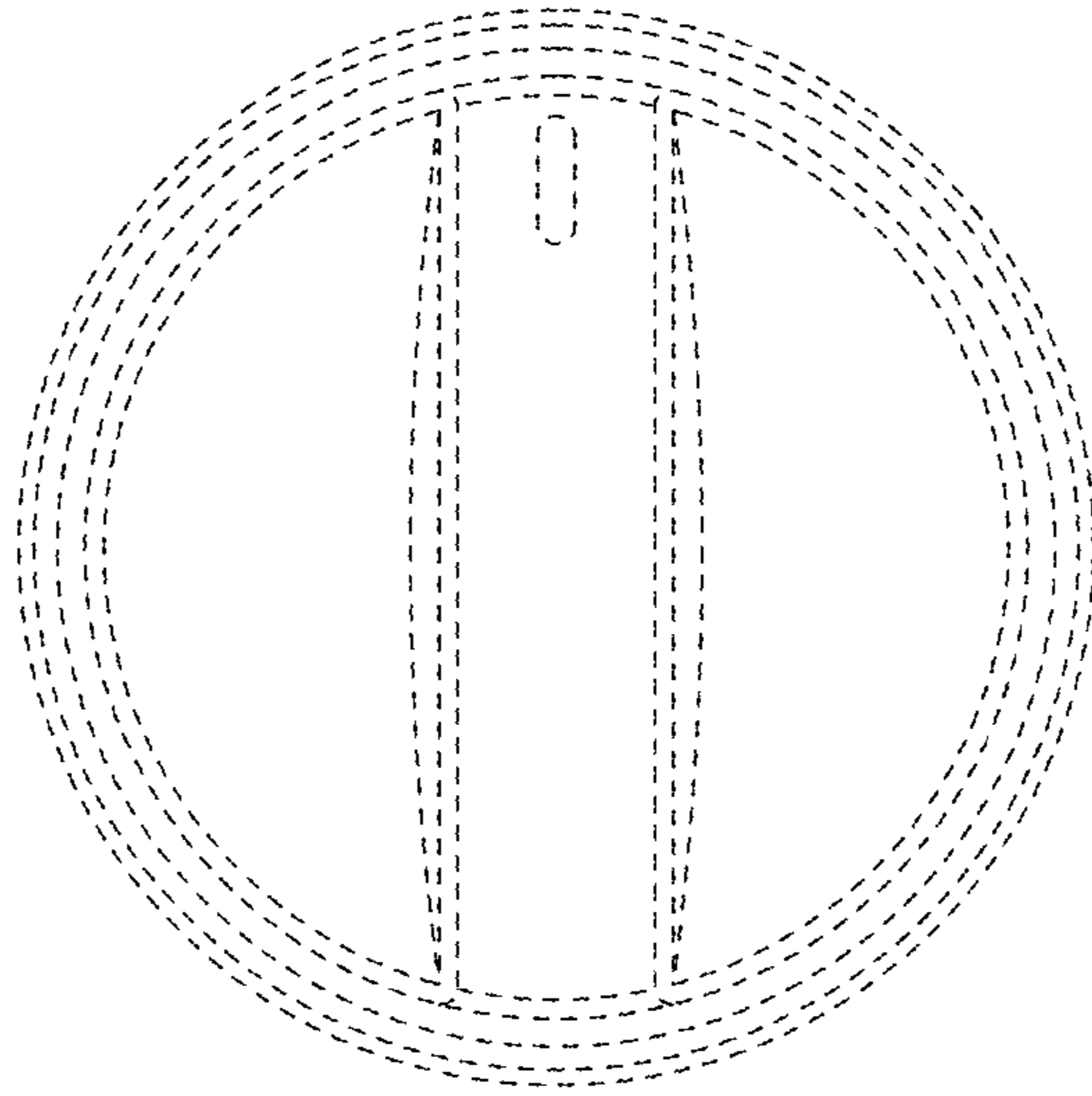


FIG. 6

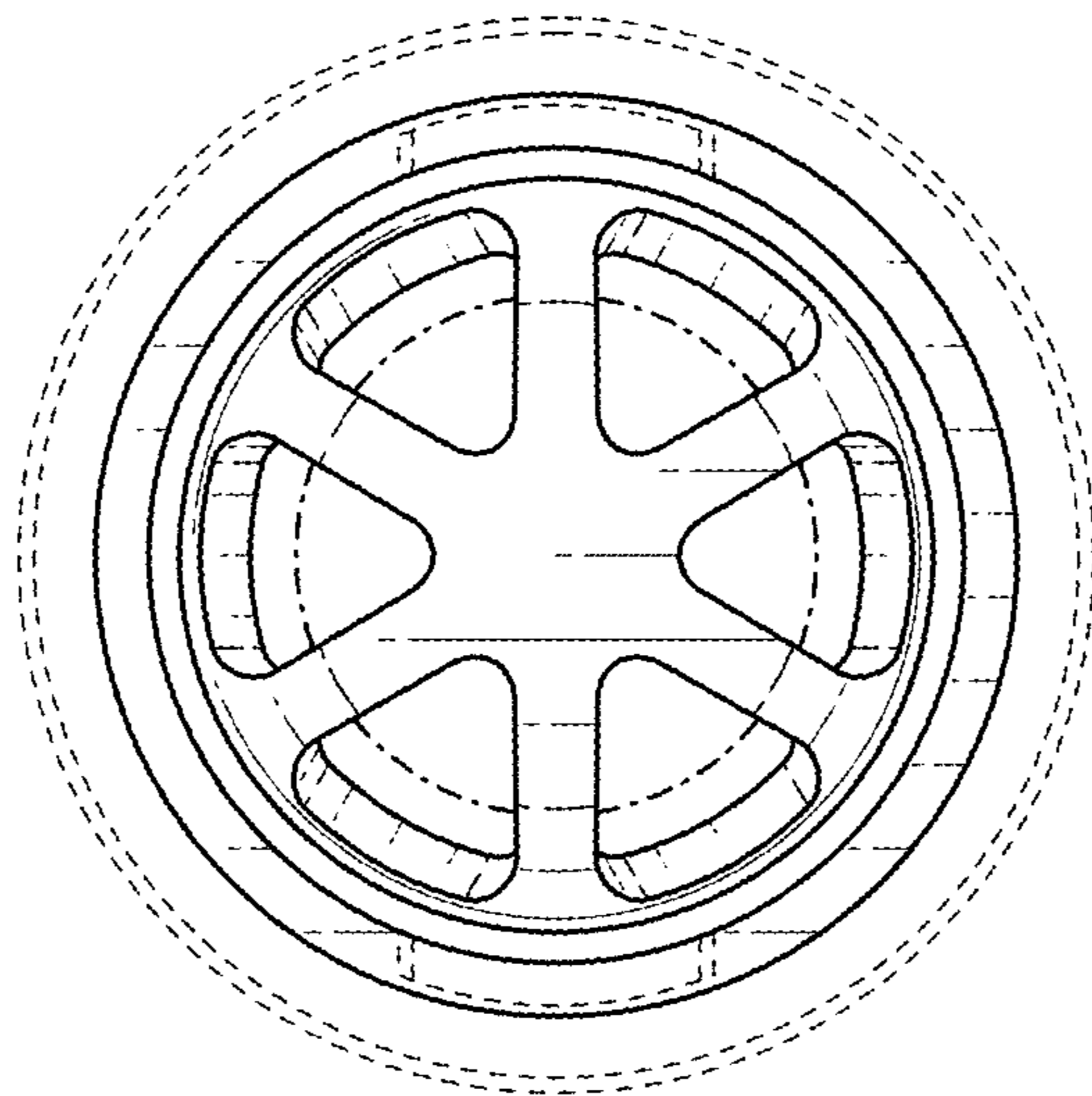


FIG. 7