



US00D950006S

(12) **United States Design Patent**  
**Guy et al.**

(10) **Patent No.:** **US D950,006 S**

(45) **Date of Patent:** **\*\* Apr. 26, 2022**

(54) **DISPENSING CARTRIDGE HOLDER**

(71) Applicant: **King Technology Inc.**, Hopkins, MN (US)

(72) Inventors: **David Guy**, Maple Grove, MN (US);  
**Jeffrey D Johnson**, Edina, MN (US);  
**Paul Freeberg**, St. Paul, MN (US);  
**Terry Goeman**, Minnetonka, MN (US);  
**Lyle Enderson**, Maple Grove, MN (US);  
**Darrin M Swagel**, Minnetonka, MN (US);  
**Eric Barton**, Eden Prairie, MN (US)

(73) Assignee: **KING TECHNOLOGY INC.**, Hopkins, MN (US)

(\*\*) Term: **15 Years**

(21) Appl. No.: **29/651,795**

(22) Filed: **Mar. 15, 2019**

(51) **LOC (13) Cl.** ..... **23-01**

(52) **U.S. Cl.**  
USPC ..... **D23/208**

(58) **Field of Classification Search**  
USPC ..... D23/200, 202, 207-210; D6/512, 542,  
D6/52, 53; D7/306-308, 600.1; D8/1,  
D8/391, 448, 7; D9/439, 454  
CPC ..... B01D 5/006; B01D 35/30; B01D 35/306;  
B09C 2101/00  
See application file for complete search history.

(56) **References Cited**

U.S. PATENT DOCUMENTS

D195,138 S \* 4/1963 Brown ..... B01D 29/21  
D32/73  
D218,015 S \* 7/1970 Symington ..... D8/354  
D326,927 S \* 6/1992 Catalina ..... D26/138  
D352,219 S \* 11/1994 Chow ..... D8/71

D476,569 S \* 7/2003 Simkins ..... D9/455  
D544,273 S \* 6/2007 Greggs ..... D6/553  
D561,872 S \* 2/2008 Milner ..... D23/208  
D564,064 S \* 3/2008 Milner ..... D23/208  
D774,754 S \* 12/2016 Moreau ..... D3/228  
D793,764 S \* 8/2017 Libman ..... D6/553  
D830,149 S \* 10/2018 Pippus ..... D8/71  
D879,261 S \* 3/2020 Nicolia ..... D23/265  
2020/0282348 A1 \* 9/2020 Guy ..... B01D 29/21

\* cited by examiner

*Primary Examiner* — Calvin E Vansant

(74) *Attorney, Agent, or Firm* — Johnson & Phung LLC

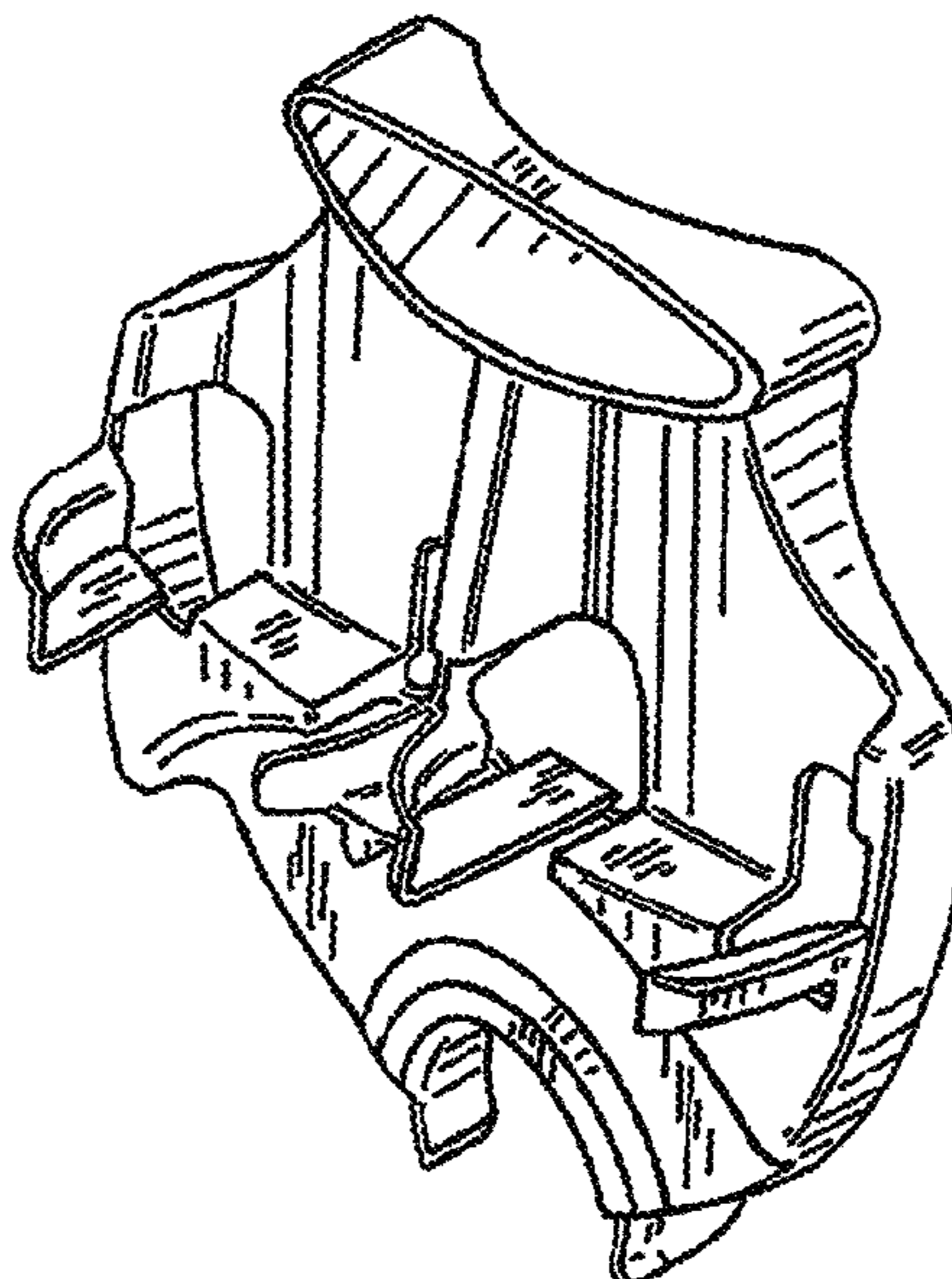
(57) **CLAIM**

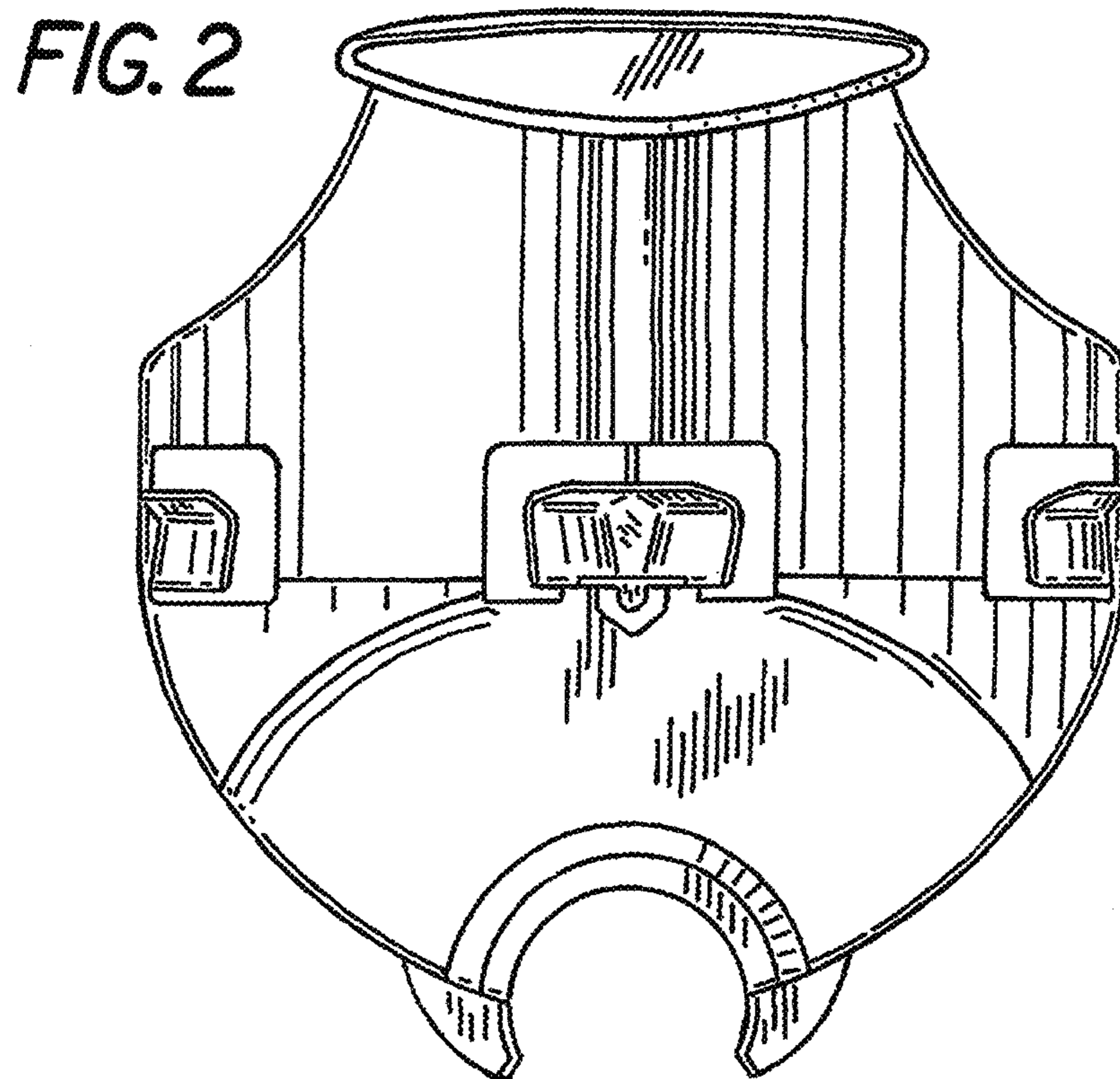
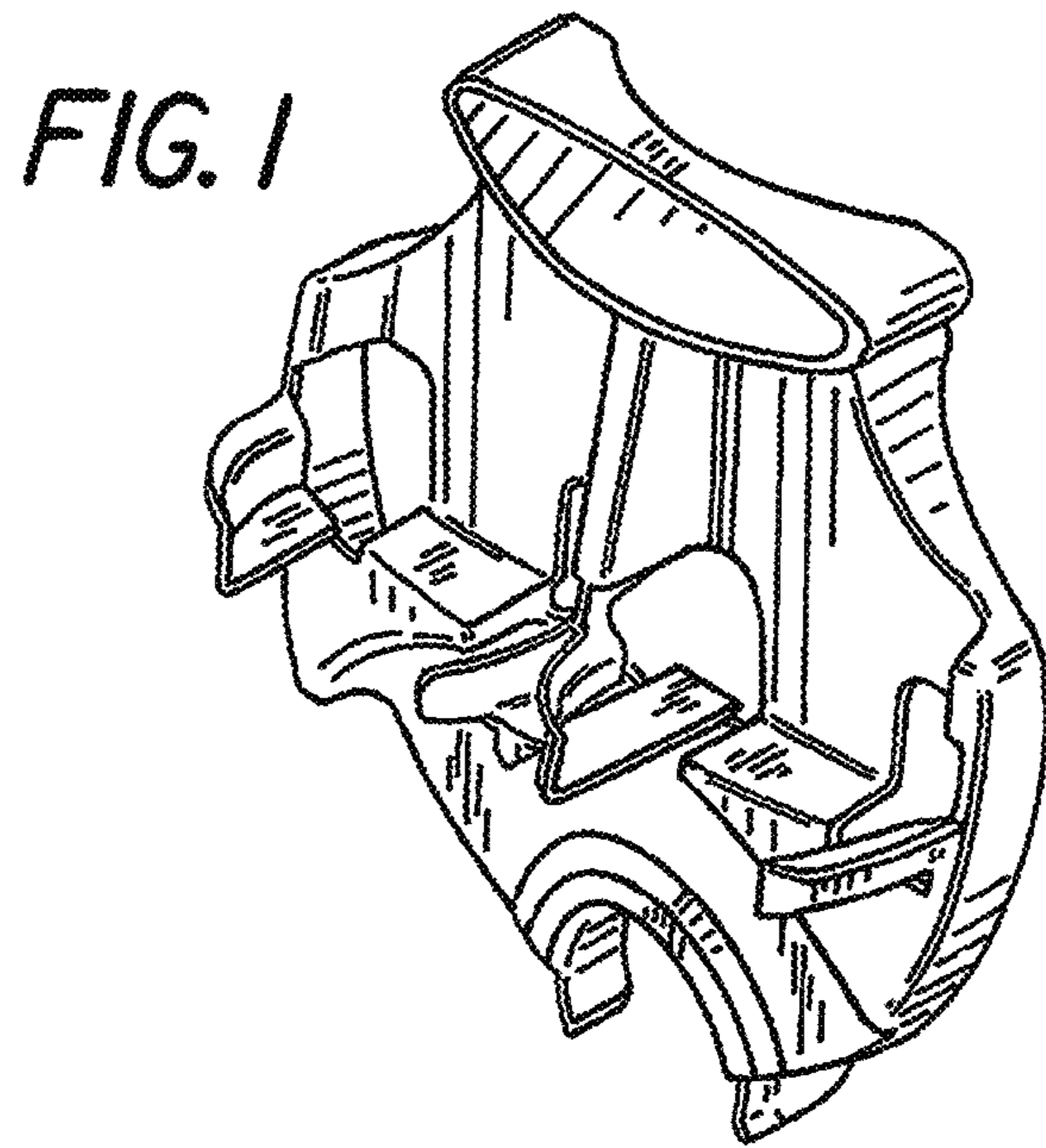
The ornamental design for a dispensing cartridge holder, as shown and described.

**DESCRIPTION**

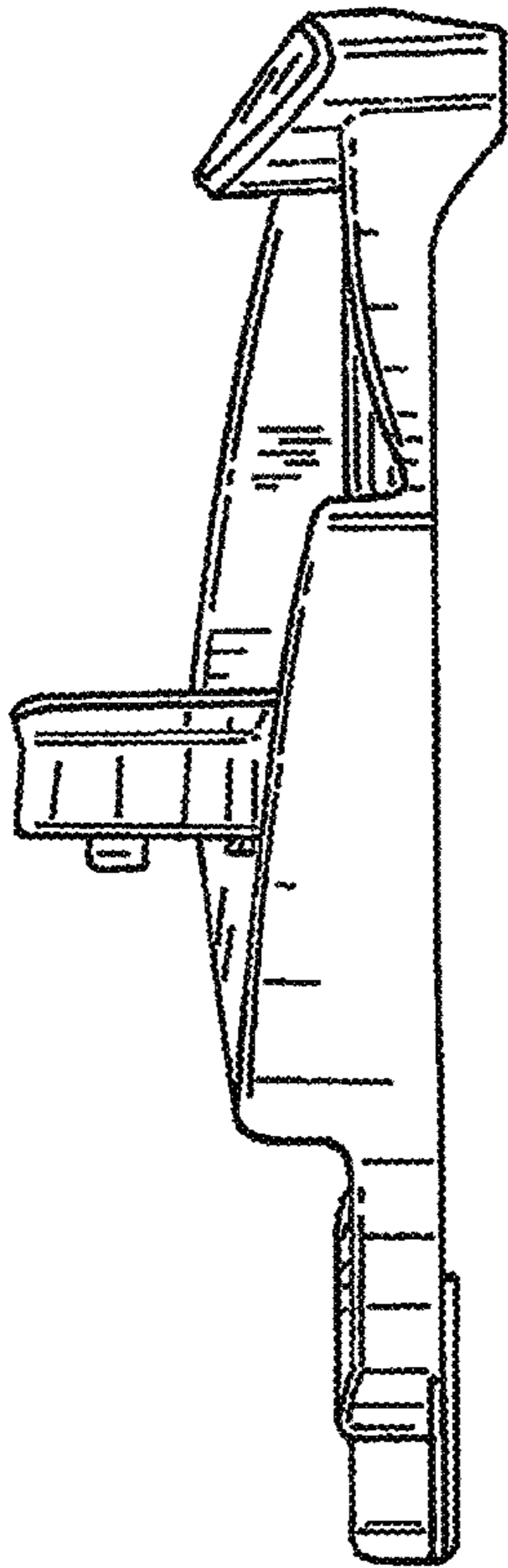
FIG. 1 is a front perspective view of a dispensing cartridge holder showing our new design;  
FIG. 2 is front side elevation thereof;  
FIG. 3 is a left side elevation thereof;  
FIG. 4 is a backside elevation view thereof  
FIG. 5 is a right side elevation thereof;  
FIG. 6 is top plan view thereof; and,  
FIG. 7 is a bottom plan view thereof.

**1 Claim, 3 Drawing Sheets**

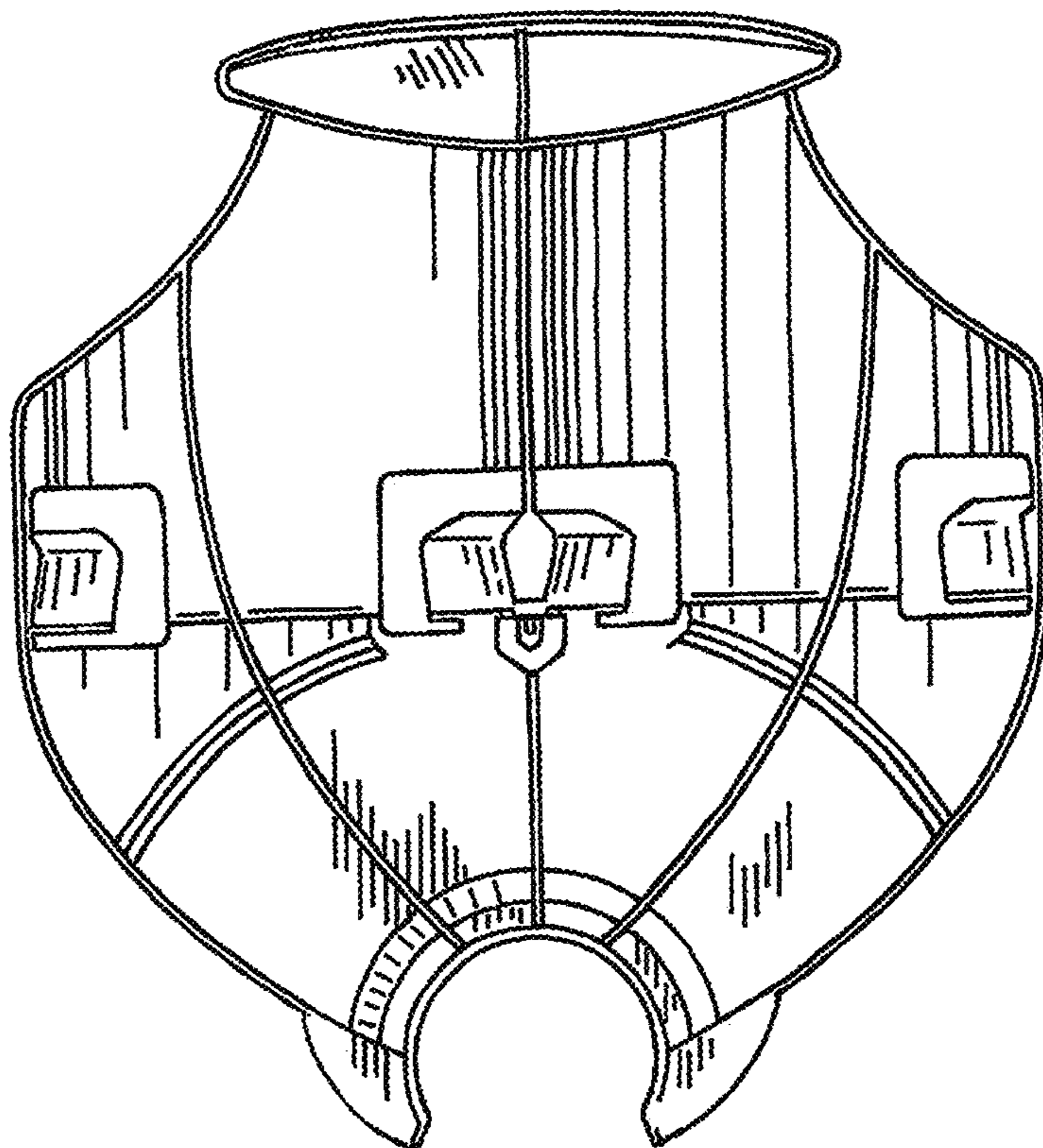




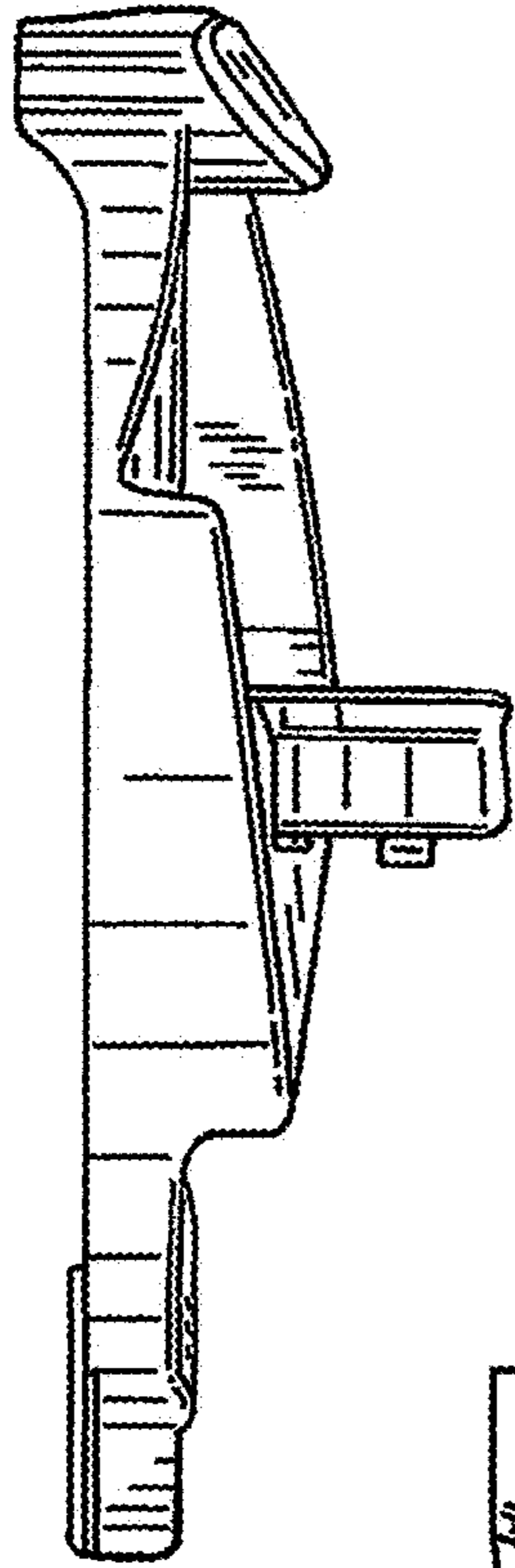
*FIG. 3*



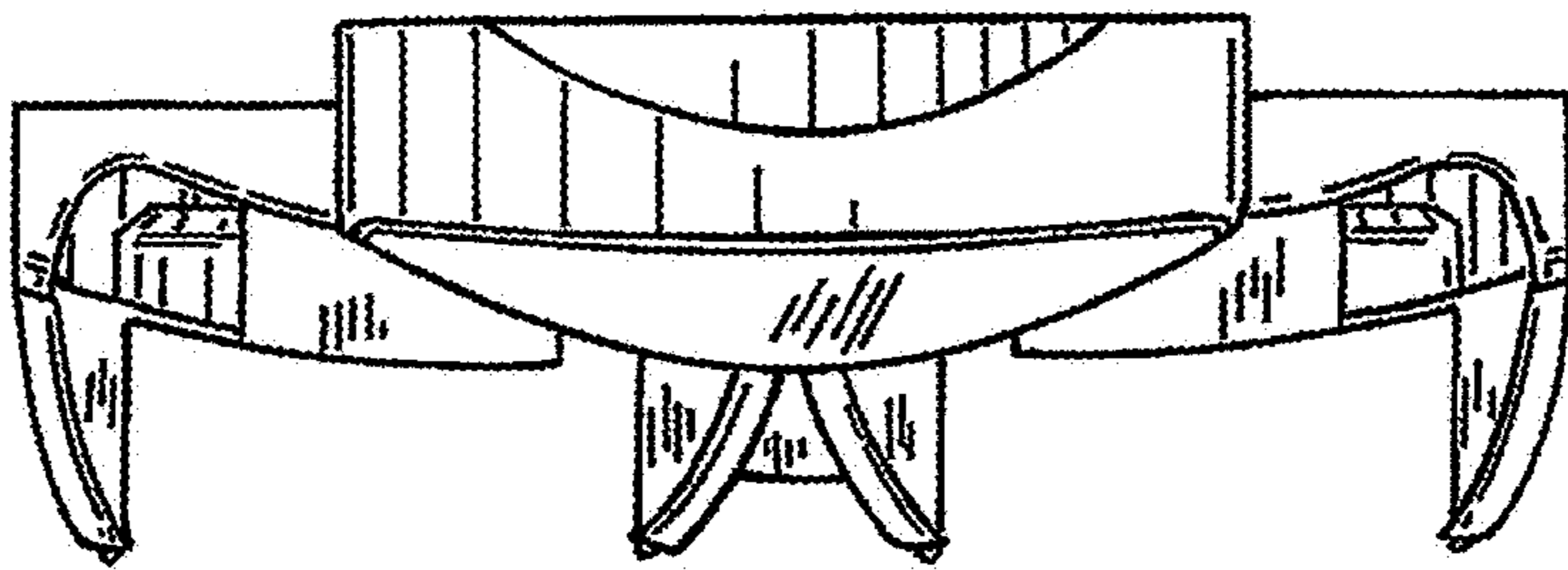
*FIG. 4*



*FIG. 5*



*FIG. 6*



*FIG. 7*

