



US00D950004S

(12) **United States Design Patent** (10) **Patent No.:** **US D950,004 S**  
**Liu** (45) **Date of Patent:** **\*\* Apr. 26, 2022**

(54) **FISHING LINE COUNTER**

(71) Applicant: **Rapala VMC Oyj**, Helsinki (FI)

(72) Inventor: **Meng Da Liu**, Edina, MN (US)

(73) Assignee: **Rapala VMC Oyj**, Helsinki (FI)

(\*\*) Term: **15 Years**

(21) Appl. No.: **29/736,852**

(22) Filed: **Jun. 3, 2020**

(51) **LOC (13) Cl.** ..... **22-05**

(52) **U.S. Cl.**  
USPC ..... **D22/134**

(58) **Field of Classification Search**  
USPC .... D22/134, 137-139, 149, 199; D3/18, 25,  
D3/905; D15/72, 78  
CPC .... A01K 89/003; A01K 89/033; B65H 54/04;  
B65H 54/106; Y10S 242/902  
See application file for complete search history.

2FNWU1DUTMCKL&keywords=rapala+fishing+line+counter&qid=1640637768&sprefix=rapala+fishing+line+counter%2Caps%2C50&sr=8-2 (Year: 2021).\*

Dr. Fish Digital Fisihing Line Counter . . . [https://www.amazon.com/Dr-Fish-Digital-Fishing-Trolling-Adjustable/dp/B084MHM6QF/ref=sr\\_1\\_7?crd=2FNWU1DUTMCKL&keywords=rapala+fishing+line+counter&qid=1640637768&sprefix=rapala+fishing+line+counter%2Caps%2C50&sr=8-7](https://www.amazon.com/Dr-Fish-Digital-Fishing-Trolling-Adjustable/dp/B084MHM6QF/ref=sr_1_7?crd=2FNWU1DUTMCKL&keywords=rapala+fishing+line+counter&qid=1640637768&sprefix=rapala+fishing+line+counter%2Caps%2C50&sr=8-7) (Year: 2020).\*

Fishing Line Counter . . . [https://www.amazon.com/VIVIMIX-Fishing-Counter-Portable-Finderdepth/dp/B07PF8V786/ref=sr\\_1\\_6?crd=2FNWU1DUTMCKL&keywords=rapala+fishing+line+counter&qid=1640637768&sprefix=rapala+fishing+line+counter%2Caps%2C50&sr=8-6](https://www.amazon.com/VIVIMIX-Fishing-Counter-Portable-Finderdepth/dp/B07PF8V786/ref=sr_1_6?crd=2FNWU1DUTMCKL&keywords=rapala+fishing+line+counter&qid=1640637768&sprefix=rapala+fishing+line+counter%2Caps%2C50&sr=8-6) (Year: 2019).\*

\* cited by examiner

*Primary Examiner* — Catherine R Oliver-Garcia  
(74) *Attorney, Agent, or Firm* — Dority & Manning, P.A.

(57) **CLAIM**

The ornamental design for a fishing line counter, as shown and described.

(56) **References Cited**

U.S. PATENT DOCUMENTS

2,980,354	A *	4/1961	Mason	.....	D06B 23/042 D3/24
4,948,059	A *	8/1990	Lewitt	.....	A01K 89/003 242/129.6
D356,096	S *	3/1995	Barros	.....	D15/72
5,551,645	A *	9/1996	Torvund	.....	B65H 59/04 242/395
D587,337	S *	2/2009	Loftis	.....	D22/134
D846,005	S *	4/2019	Kita	.....	D15/72

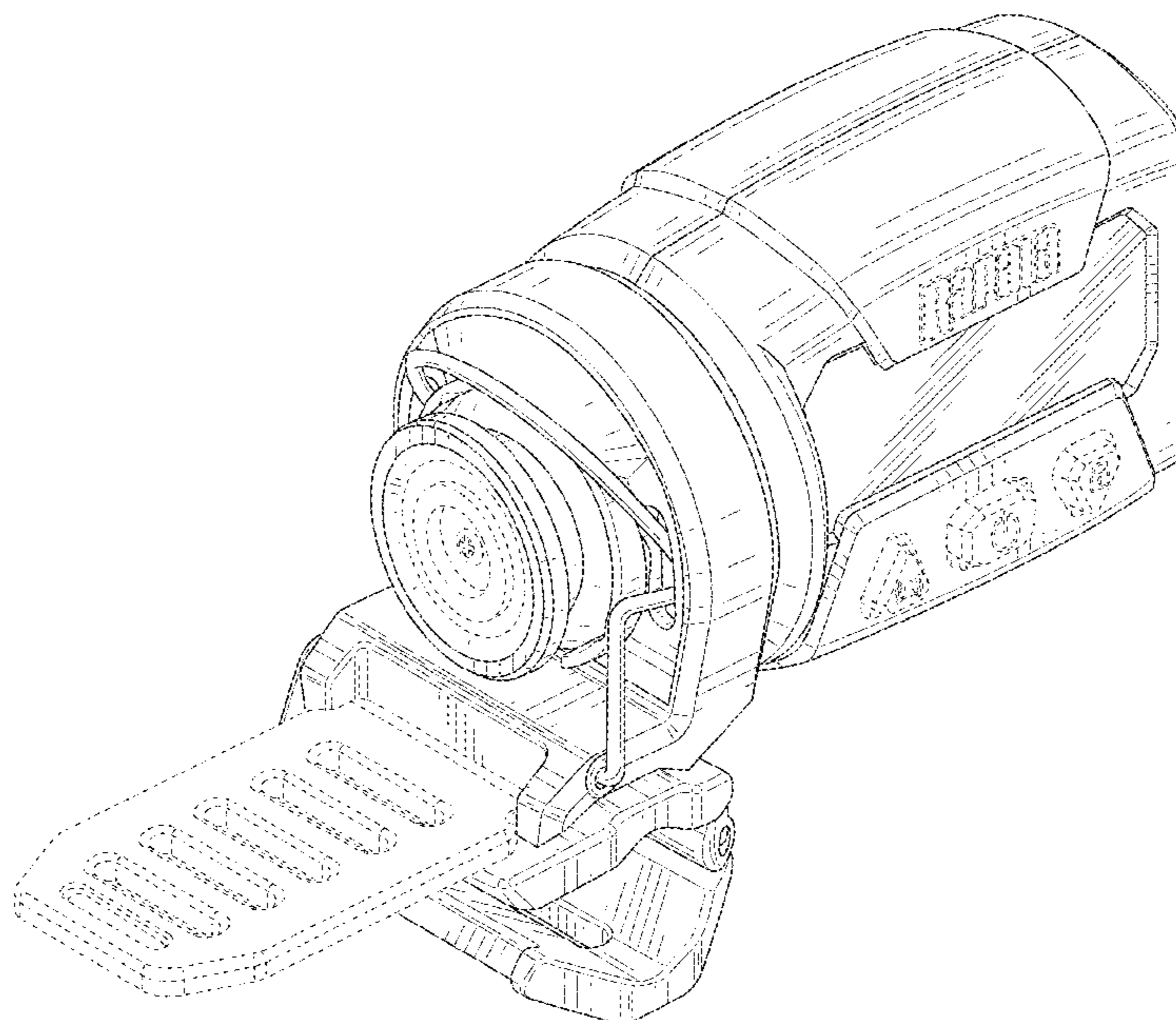
OTHER PUBLICATIONS

Digital Line Counter . . . [https://www.amazon.com/Rapala-RDLC-Digital-Line-Counter/dp/B08SHN3V8Y/ref=sr\\_1\\_2?crd=](https://www.amazon.com/Rapala-RDLC-Digital-Line-Counter/dp/B08SHN3V8Y/ref=sr_1_2?crd=)

**DESCRIPTION**

FIG. 1 is a perspective view of the fishing line counter; FIG. 2 is a front view of the fishing line counter of FIG. 1; FIG. 3 is rear view of the fishing line counter of FIG. 1; FIG. 4 is a first side view of the fishing line counter of FIG. 1; FIG. 5 is a second side view of the fishing line counter of FIG. 1; FIG. 6 is a top view of the fishing line counter of FIG. 1; and, FIG. 7 is a bottom view of fishing line counter of FIG. 1. The broken lines shown in the Figures represent portions of the fishing line counter that form no part of the claimed design.

**1 Claim, 7 Drawing Sheets**



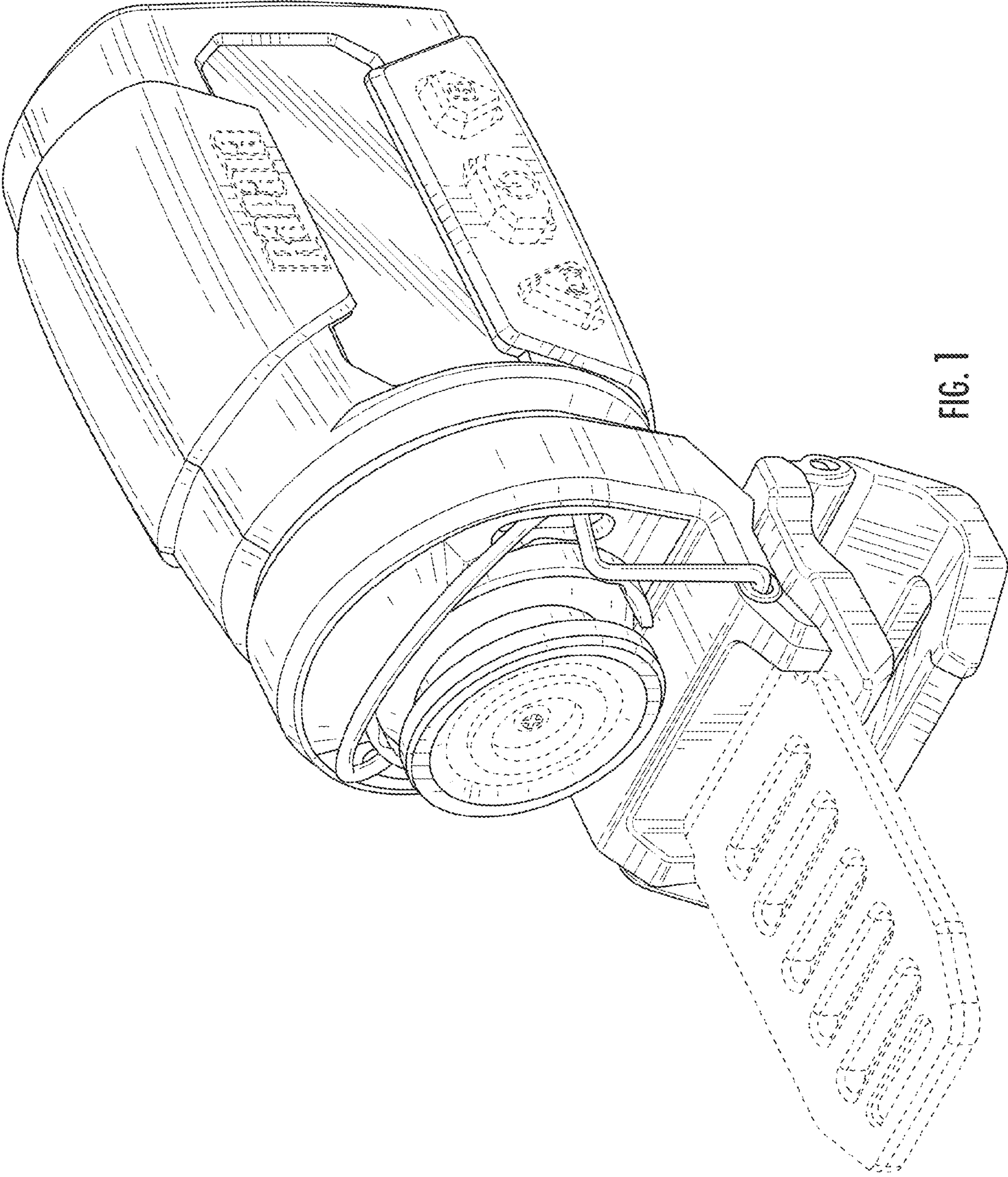


FIG. 1

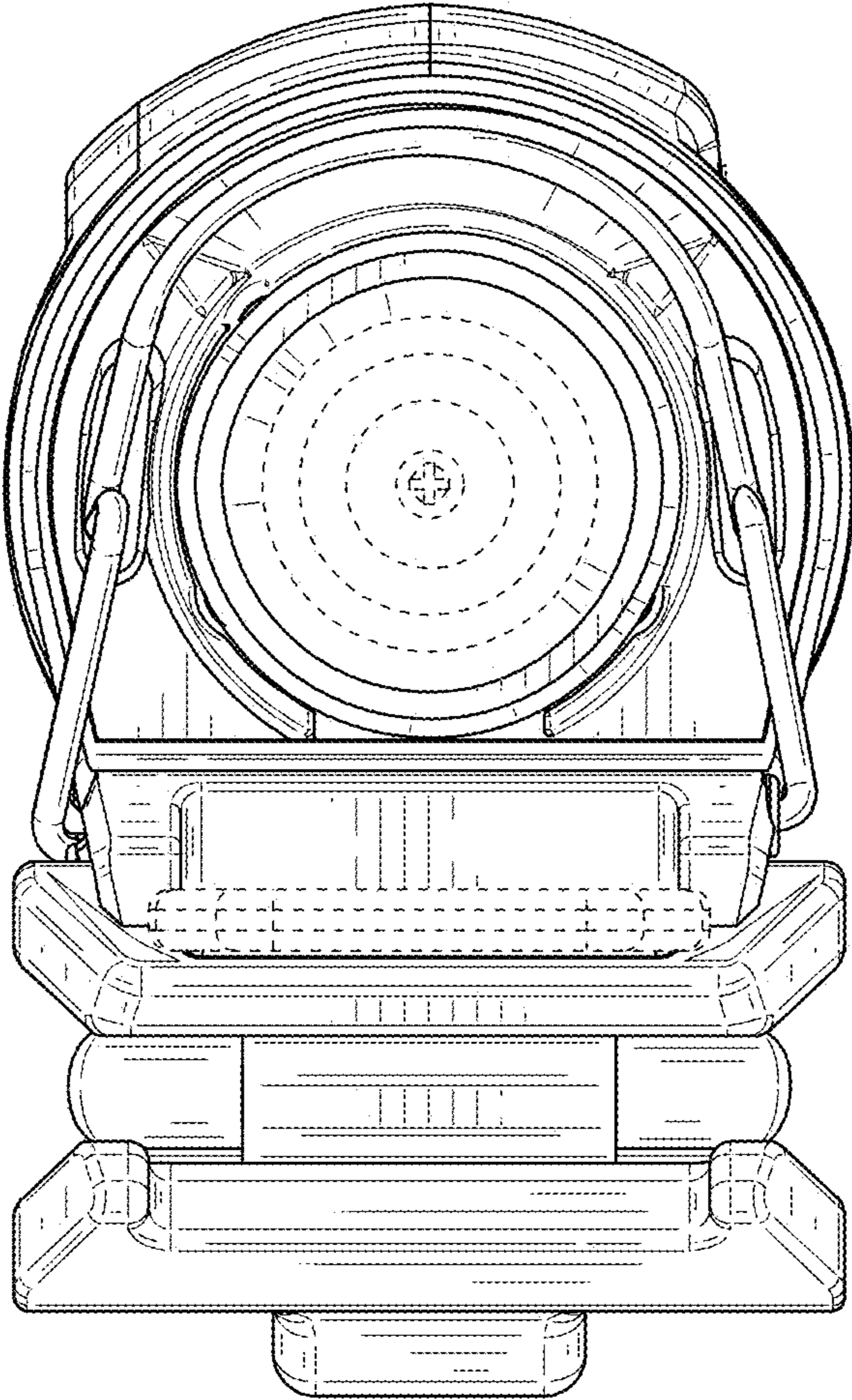


FIG. 2

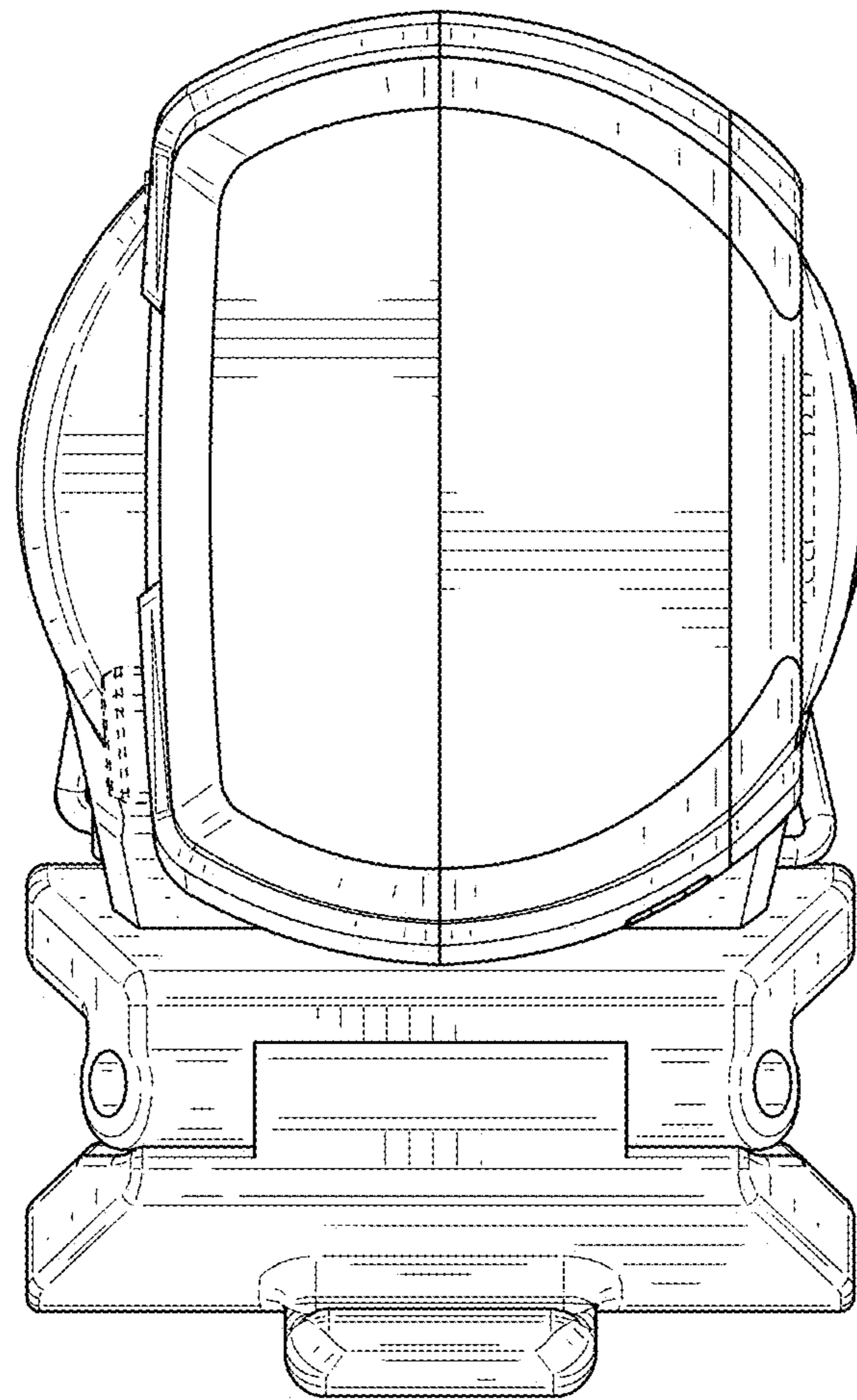


FIG. 3

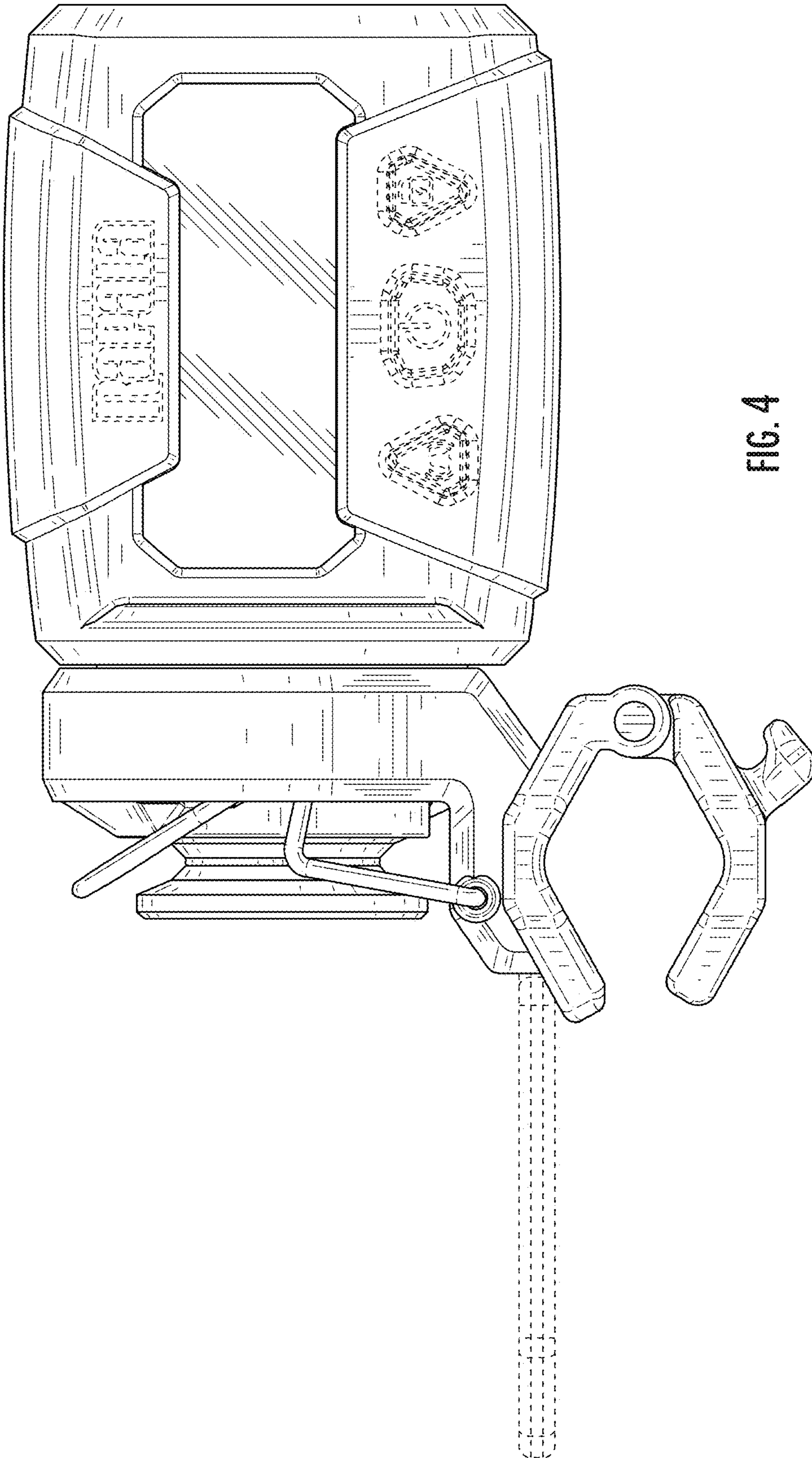


FIG. 4

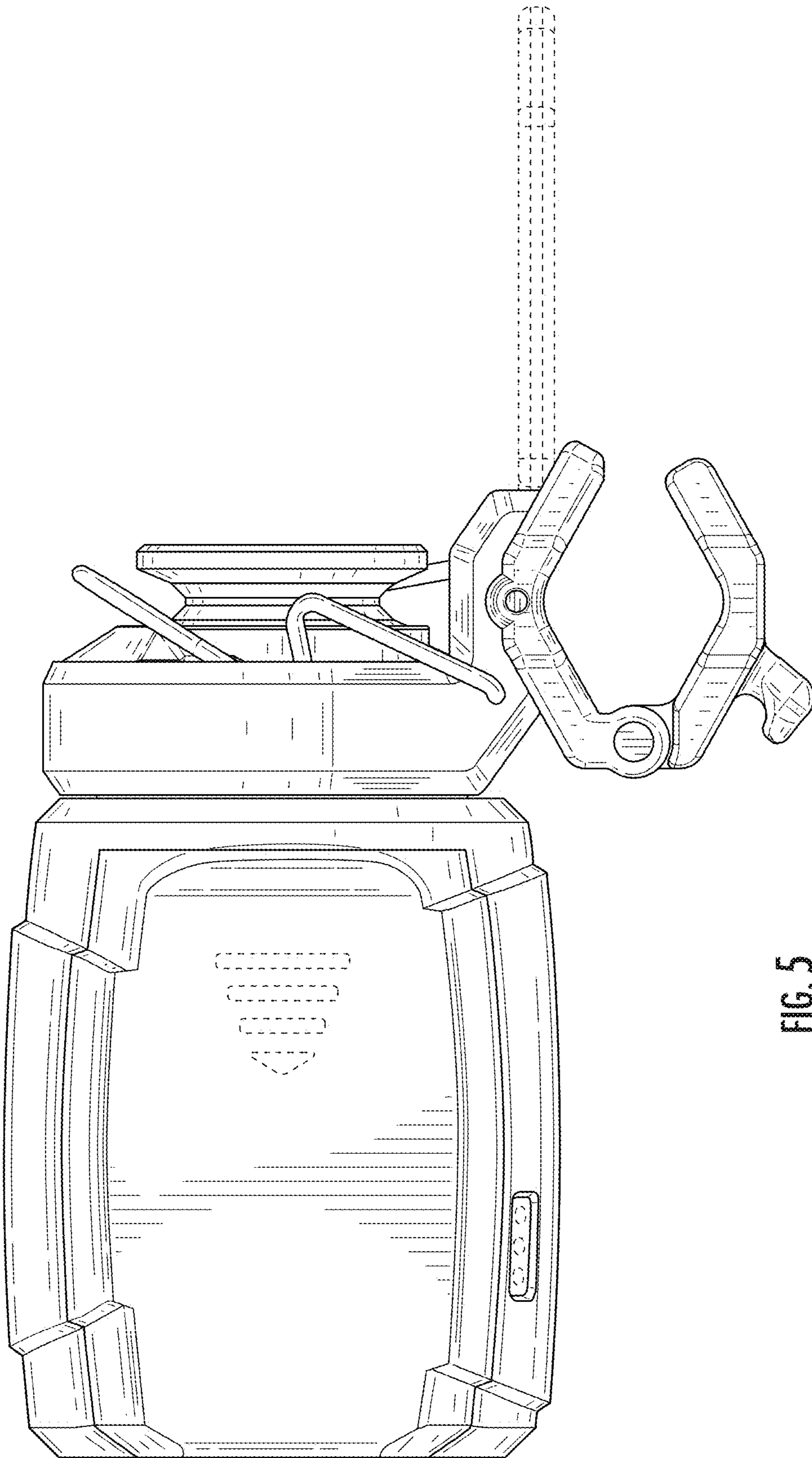


FIG. 5

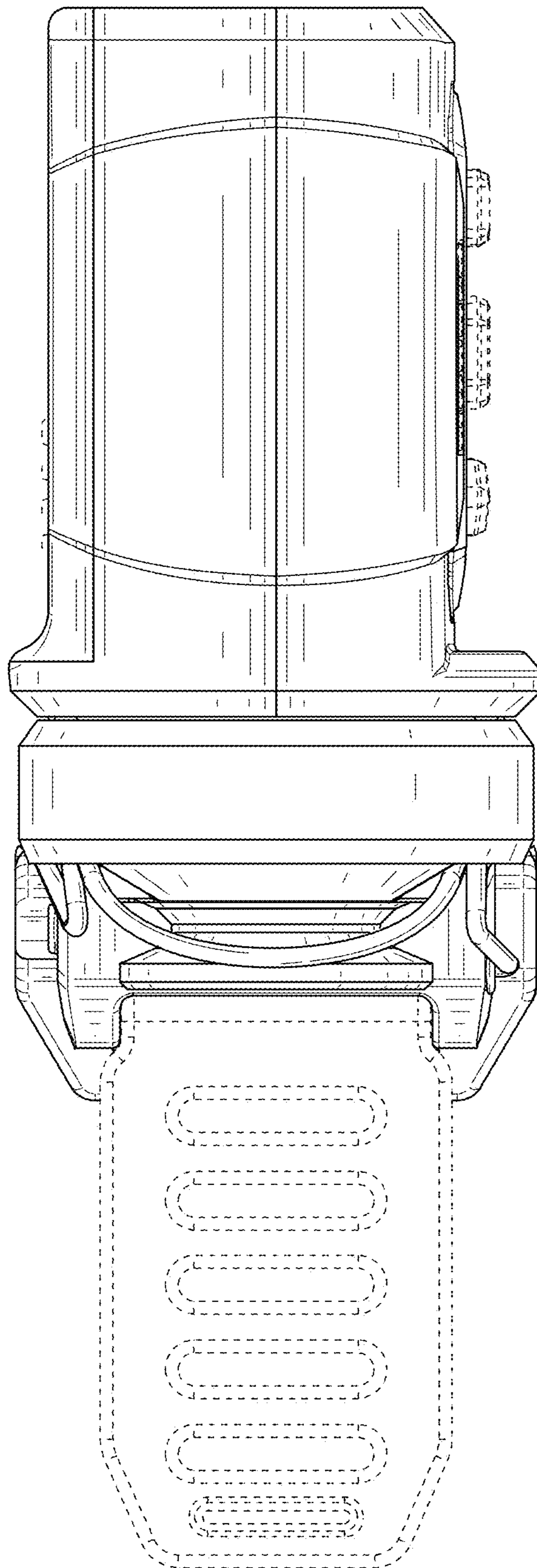


FIG. 6

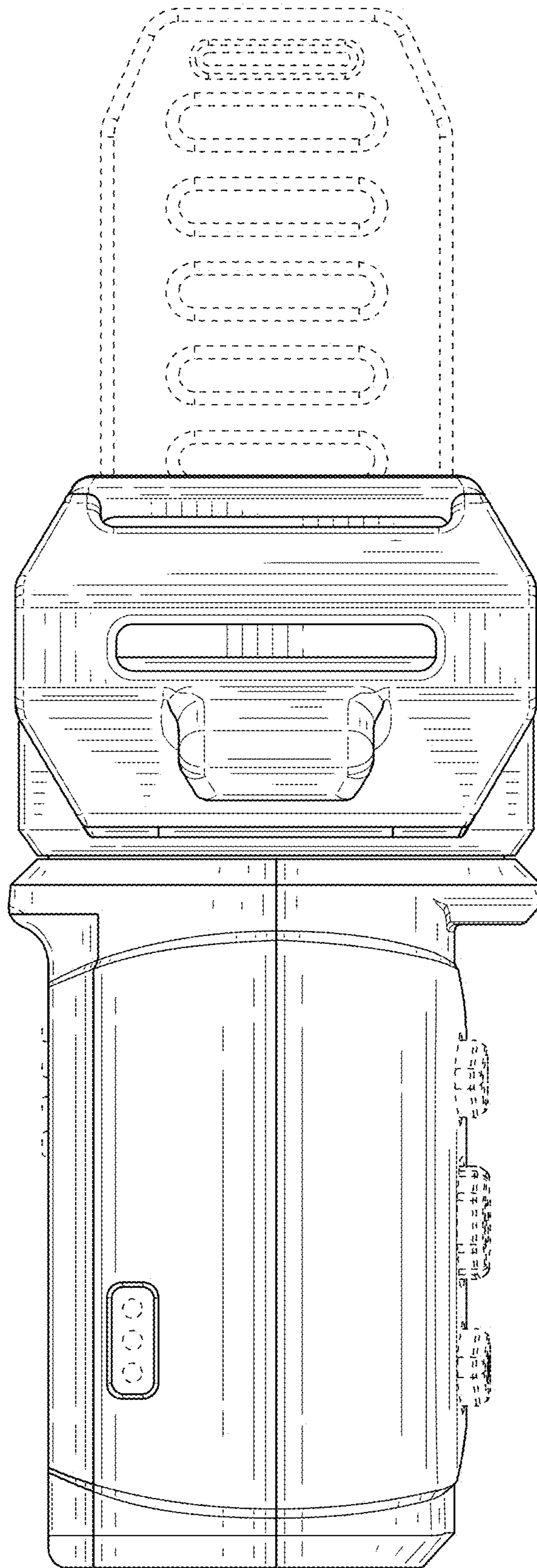


FIG. 7