



US00D950003S

(12) **United States Design Patent**
Zhong

(10) **Patent No.:** **US D950,003 S**
(45) **Date of Patent:** **** Apr. 26, 2022**

(54) **ELECTRIC MOSQUITO SWATTER**

OTHER PUBLICATIONS

(71) Applicant: **FOGTAIL SERVICES INC**, Temple City, CA (US)

(72) Inventor: **Jianyong Zhong**, Temple City, CA (US)

(73) Assignee: **FOGTAIL SERVICES INC**, Temple, CA (US)

(**) Term: **15 Years**

(21) Appl. No.: **29/799,703**

(22) Filed: **Jul. 15, 2021**

(51) **LOC (13) Cl.** **22-06**

(52) **U.S. Cl.**
USPC **D22/123**

(58) **Field of Classification Search**
USPC D22/123-124, 122; D21/729, 799.1
CPC A01M 23/32; A01M 29/00; A01M 29/34;
A01M 3/02; A01M 3/025

See application file for complete search history.

(56) **References Cited**

U.S. PATENT DOCUMENTS

D99,141 S *	3/1936	Shafter	D22/124
D516,159 S *	2/2006	Himberger	D22/124
D518,867 S *	4/2006	Dow	D22/124
D918,333 S	5/2021	Qiu		
D925,692 S *	7/2021	Huang	D22/124
2010/0088947 A1 *	4/2010	Mars	A01M 3/025
				43/132.1
2010/0162615 A1 *	7/2010	Keralla	A01M 3/025
				43/112
2016/0309695 A1 *	10/2016	Dayan	A01M 3/025
2017/0071185 A1 *	3/2017	Janowski	A01M 3/025

FOREIGN PATENT DOCUMENTS

DE 202020106251 U1 * 12/2020 A01M 3/02

https://www.amazon.com/Electric-Swatter-Rechargeable-Mosquito-Charging/dp/B09NVRXNT6/ref=sr_1_1?crd=1EHBOI9MKDBPT&keywords=bug+zapper+racket%2C+electric+fly+swatter+racket%2C+3000+volt+rechargeable+fly+zapper+mosquito+killer+usb+charging+cable+for+indoor+and+outdoor&qid=1646240664&sprefix=bug+zapper+racket%2C+electric+fly+swatter+racket%2C+3000+volt+rechargeable+fly+zapper+mosquito+killer+usb+charging+cable+for+indoor+and+outdoor%2Caps%2C46&sr=8-1 (Year: 2021).*

* cited by examiner

Primary Examiner — Catherine R Oliver-Garcia

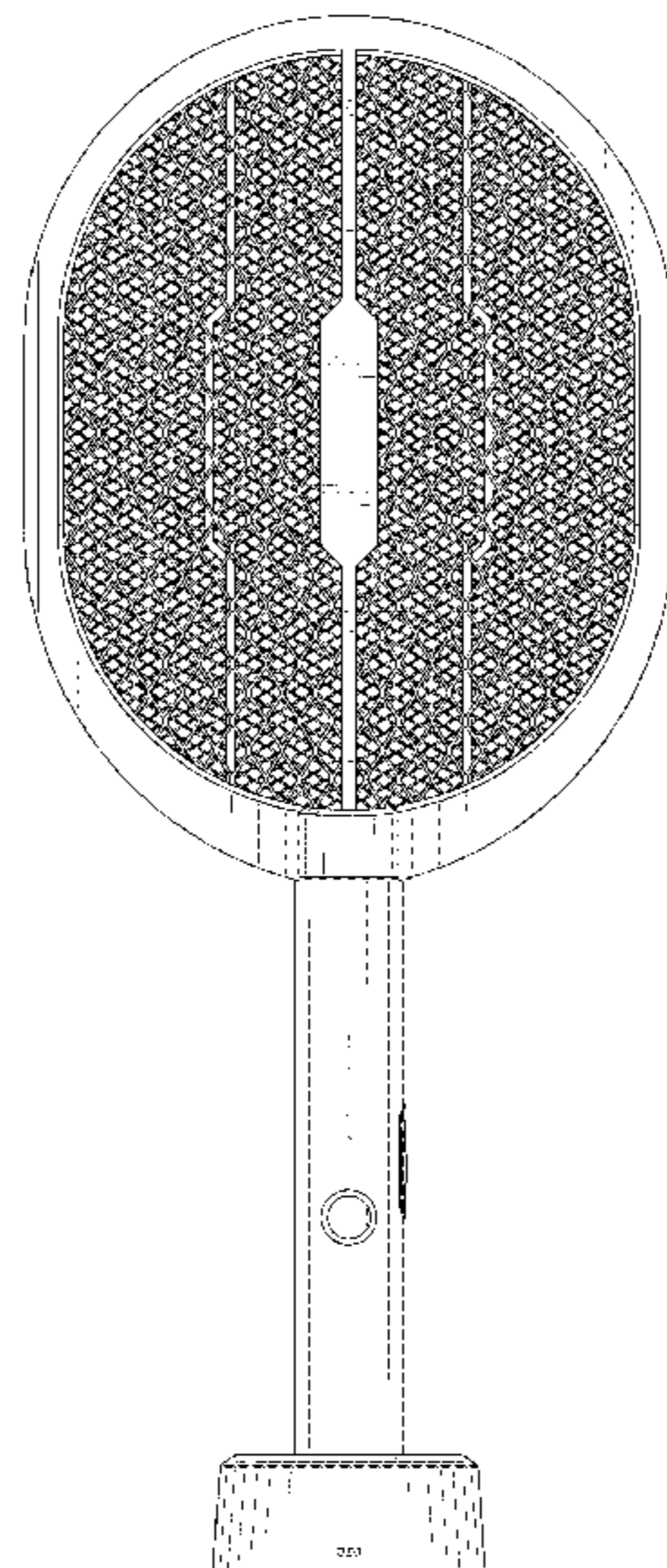
(57) **CLAIM**

The ornamental design for an electric mosquito swatter, as shown and described.

DESCRIPTION

FIG. 1 is a perspective view of an electric mosquito swatter showing my new design;
FIG. 2 is another perspective view thereof;
FIG. 3 is a front elevational view thereof;
FIG. 4 is a rear elevational view thereof;
FIG. 5 is a left side elevational view thereof;
FIG. 6 is a right side elevational view thereof;
FIG. 7 is a top plan view thereof;
FIG. 8 is a bottom plan view thereof;
FIG. 9 is an enlarged view of portion 9 shown in FIG. 1; and, FIG. 10 is an enlarged view of portion 10 shown in FIG. 1. The dash-dash broken lines in the drawings depict portions of the electric mosquito swatter that form no part of the claimed design. The dot-dash broken lines represent boundaries of the enlarged portion and form no part of the claimed design.

1 Claim, 10 Drawing Sheets



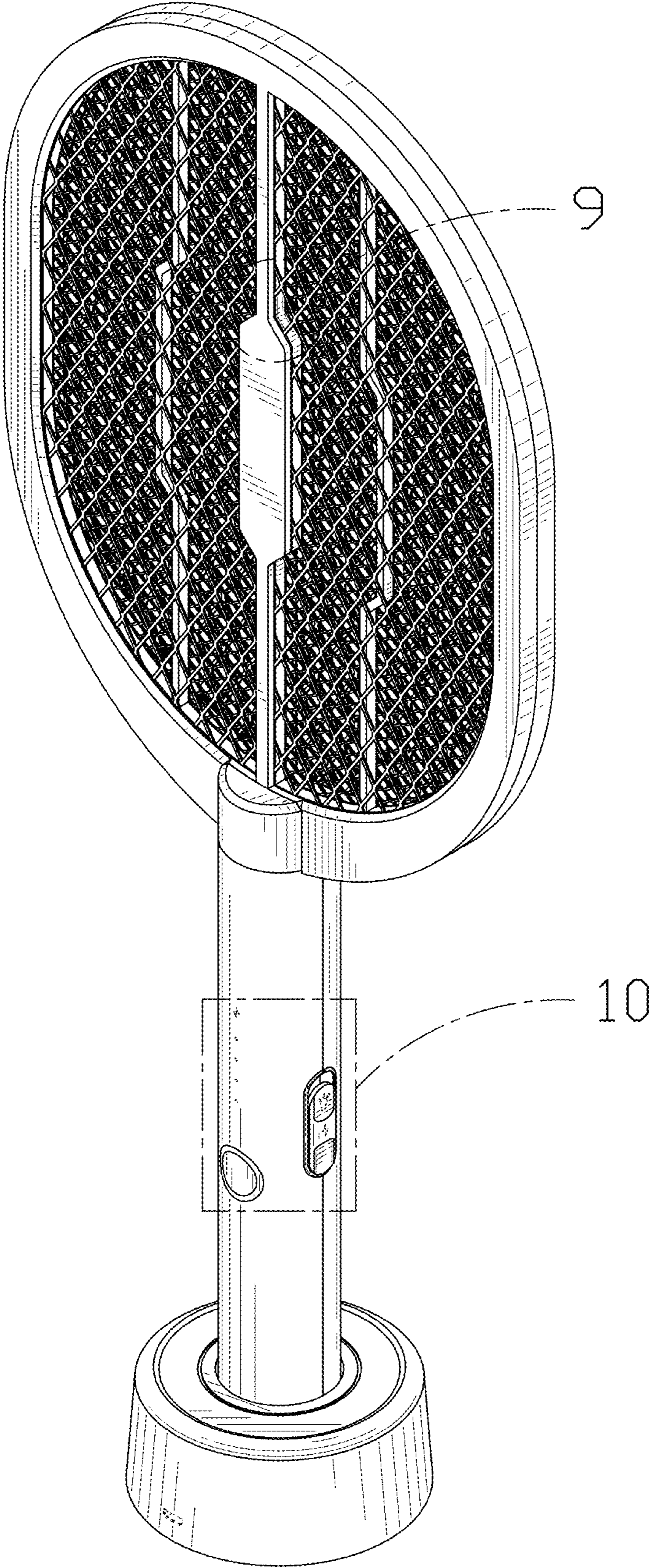


FIG. 1

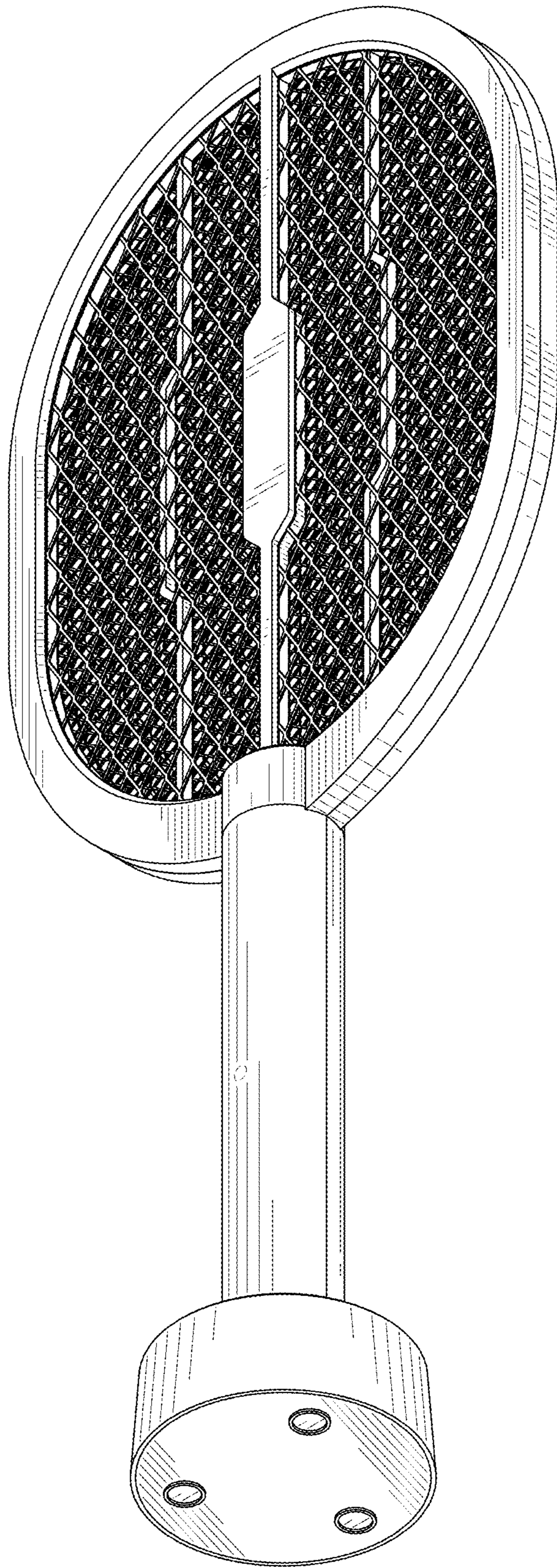


FIG. 2

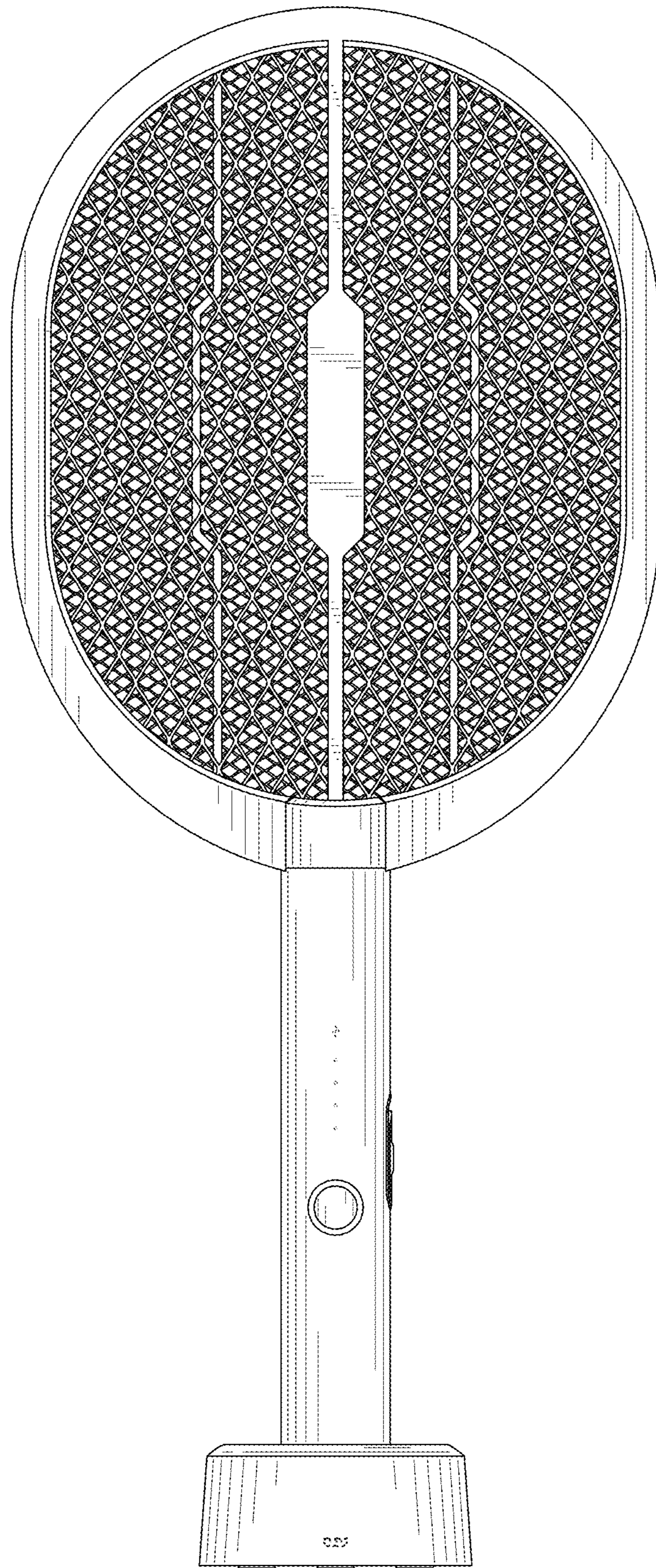


FIG. 3

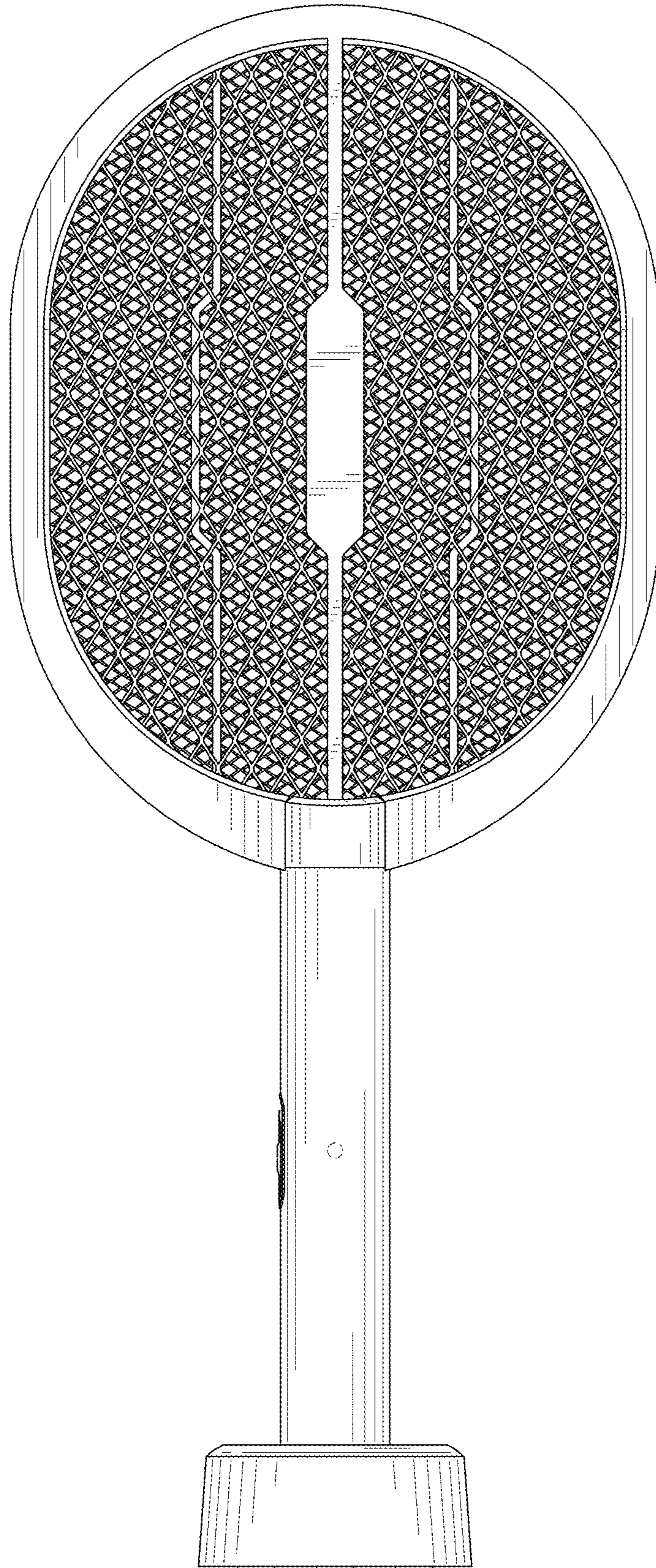


FIG. 4

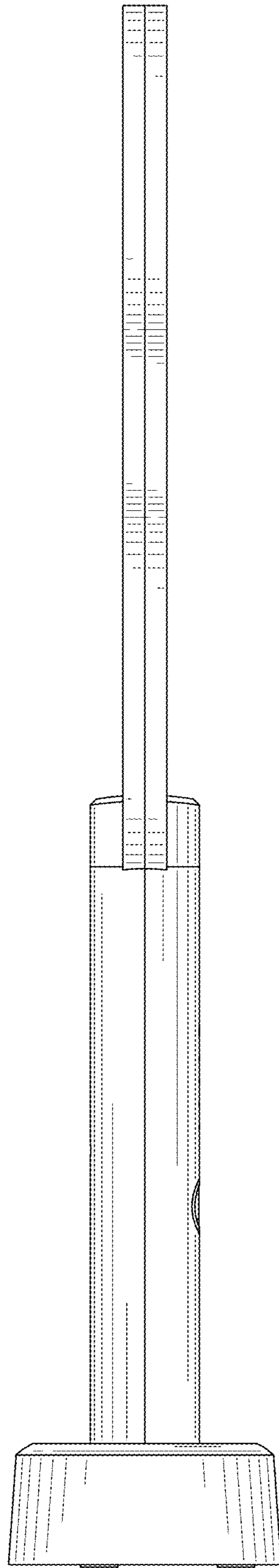


FIG. 5

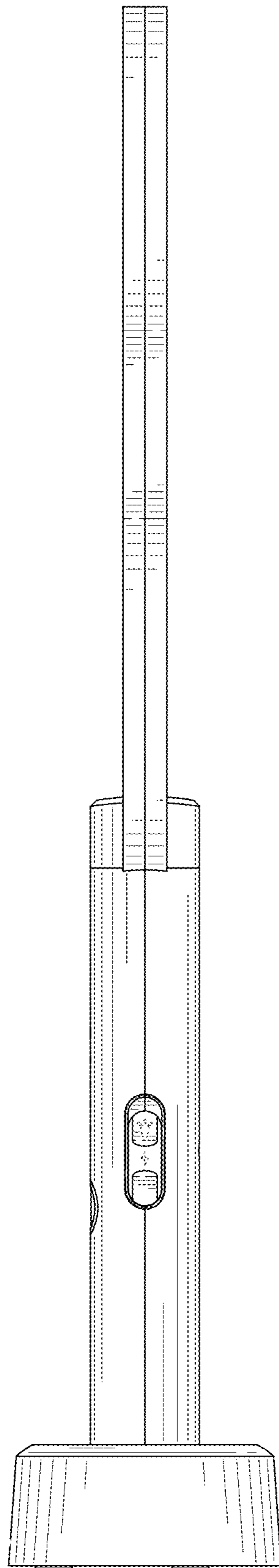


FIG. 6

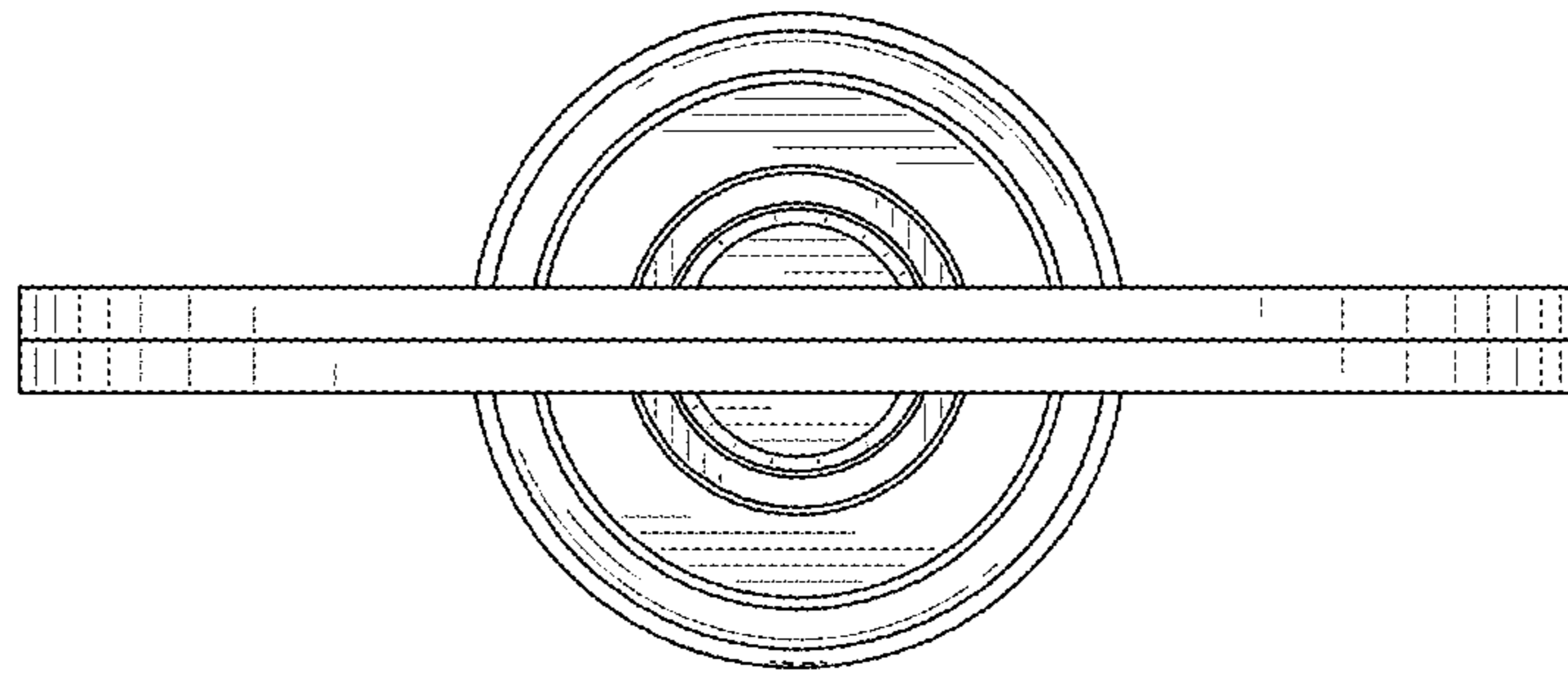


FIG. 7

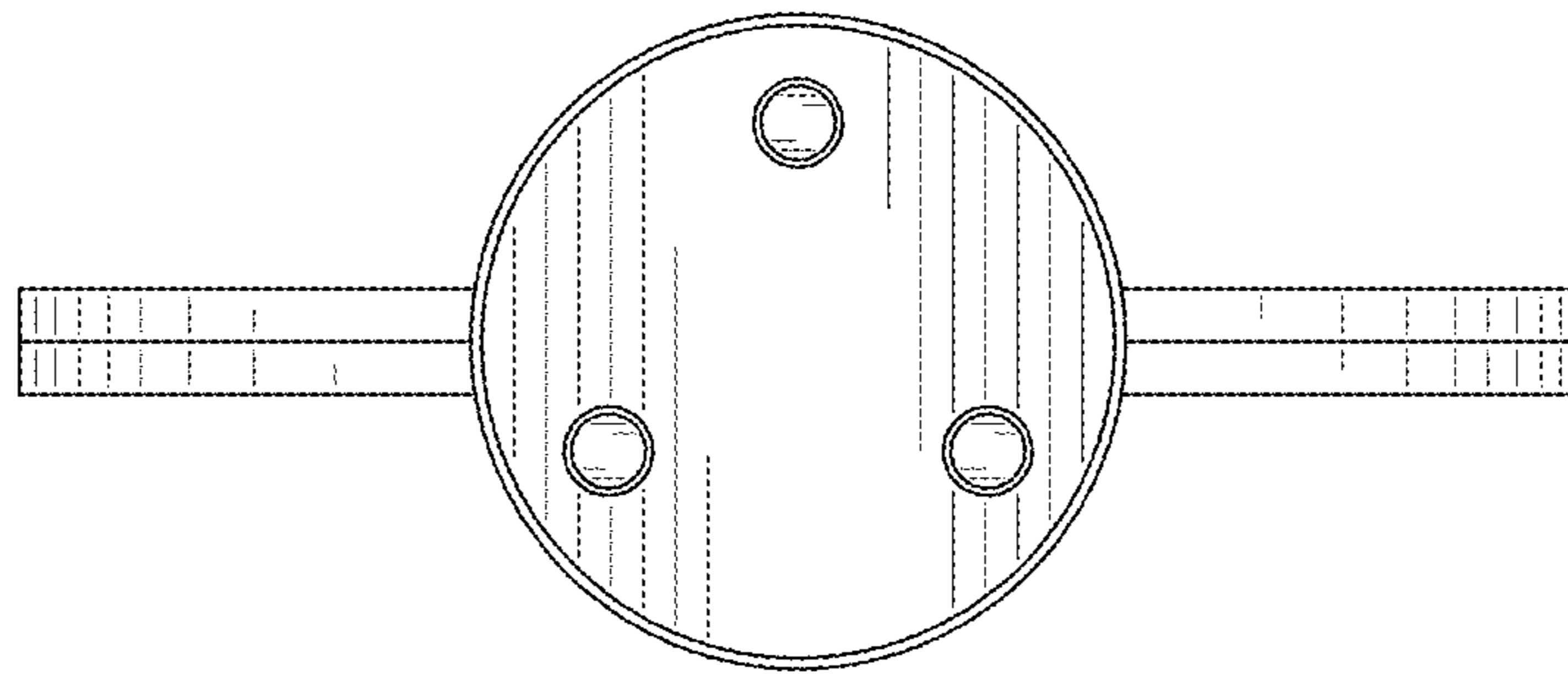


FIG. 8

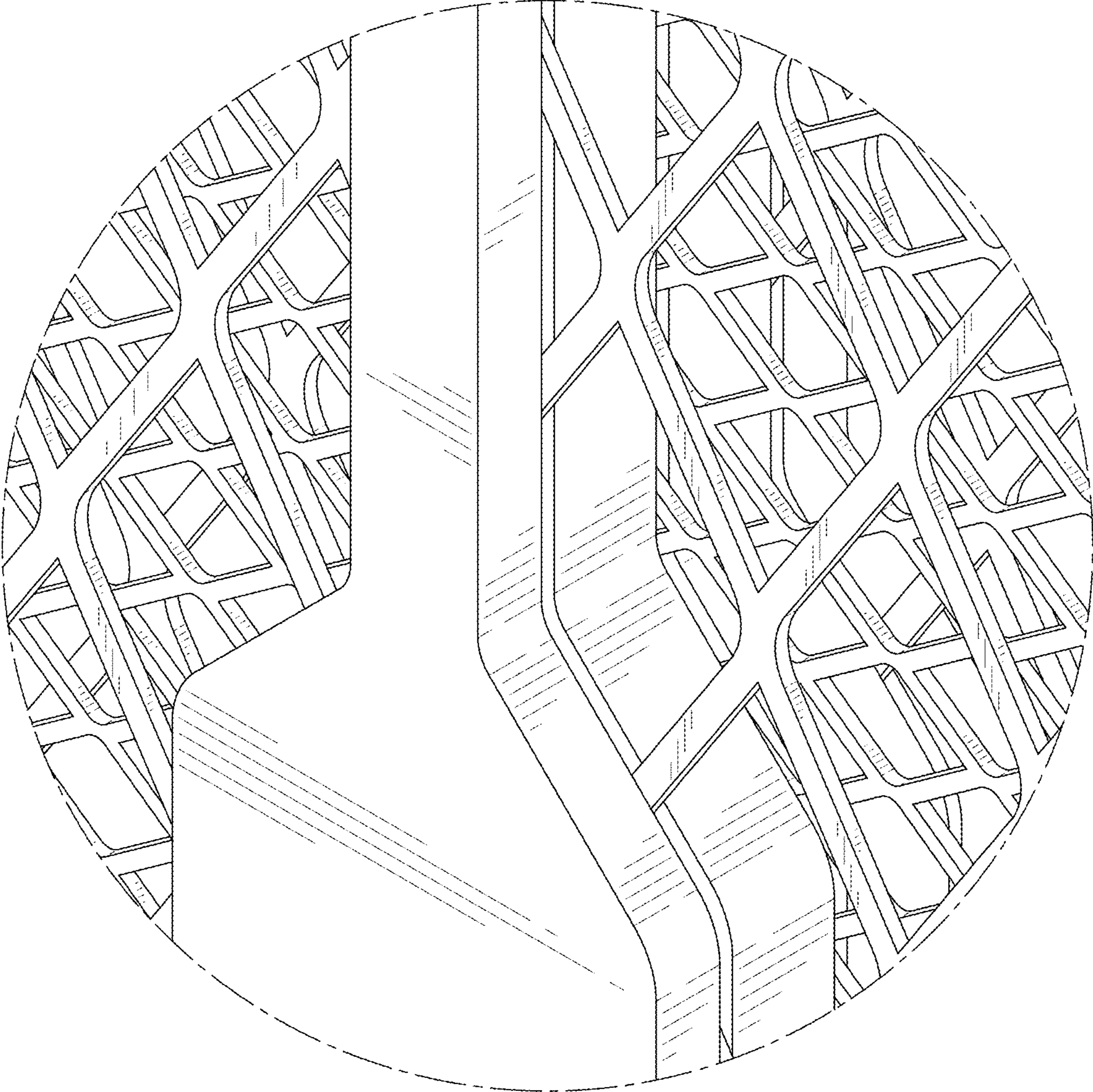


FIG. 9

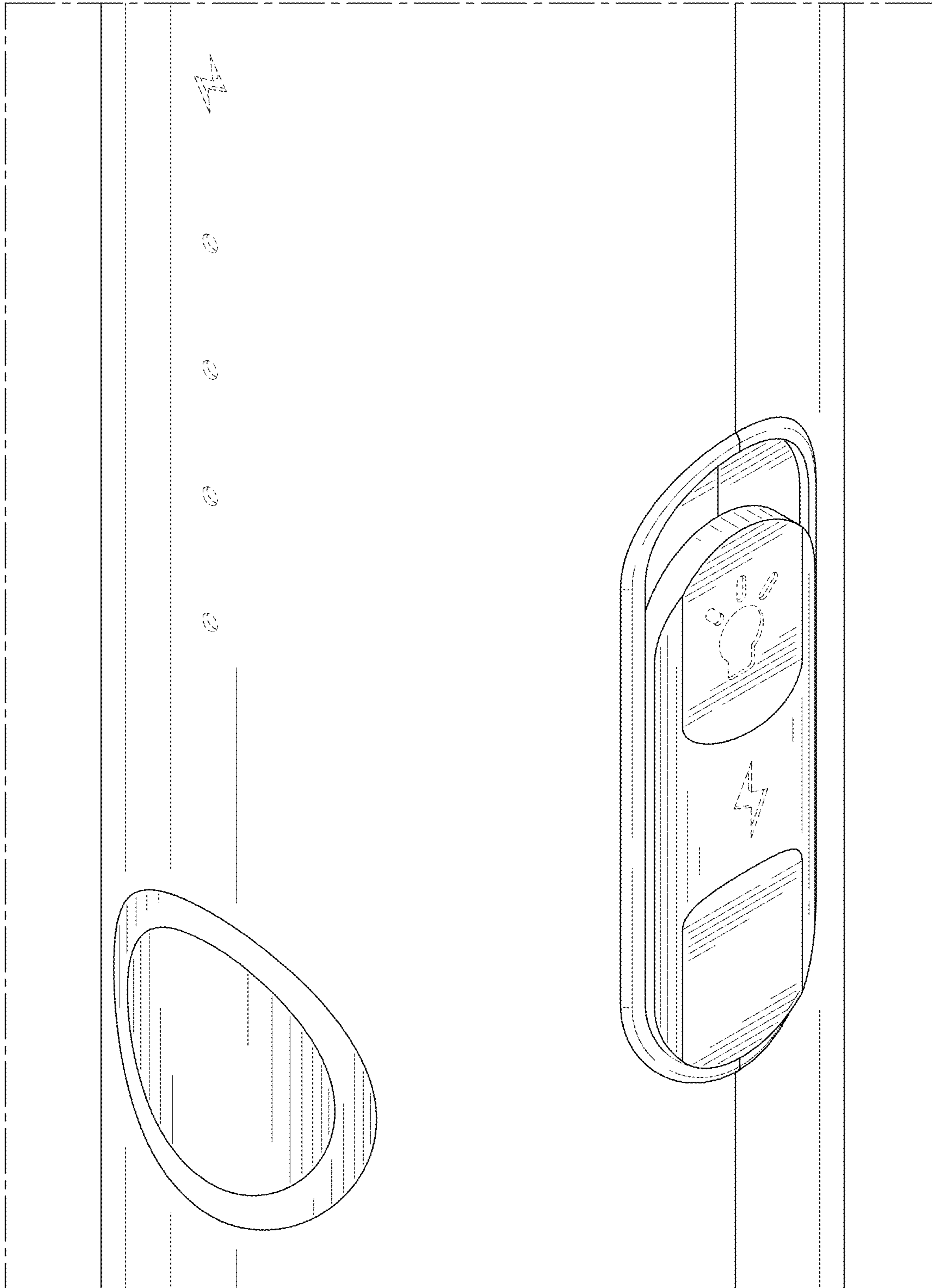


FIG. 10