



US00D949999S

(12) **United States Design Patent**
Zhu

(10) **Patent No.:** **US D949,999 S**

(45) **Date of Patent:** **** Apr. 26, 2022**

(54) **WATER DECK CHAIR**

(71) Applicant: **Keke Zhu**, Shangqiu (CN)

(72) Inventor: **Keke Zhu**, Shangqiu (CN)

(**) Term: **15 Years**

(21) Appl. No.: **29/782,678**

(22) Filed: **May 7, 2021**

(51) **LOC (13) Cl.** **21-02**

(52) **U.S. Cl.**
USPC **D21/803**

(58) **Field of Classification Search**
USPC D21/801, 803, 808, 809; D6/595, 596,
D6/597, 598, 601

CPC B63B 32/20; B63B 32/22; B63B 32/51;
B63B 32/54; B63B 35/58; B63B 35/607;
B63B 35/613; B63B 35/62

See application file for complete search history.

(56) **References Cited**

U.S. PATENT DOCUMENTS

D370,956 S * 6/1996 Pery D21/809
6,280,271 B1 * 8/2001 Peterson B63B 34/52
441/40

D636,452 S * 4/2011 Majors D21/803
D636,831 S 4/2011 Mikula
D740,386 S * 10/2015 Herter D21/803
D891,558 S 7/2020 Zhang et al.
2004/0049848 A1 * 3/2004 Boyd B63B 29/04
5/120
2007/0254541 A1 * 11/2007 Sorby B63B 34/52
441/66

* cited by examiner

Primary Examiner — Zenia I Bennett

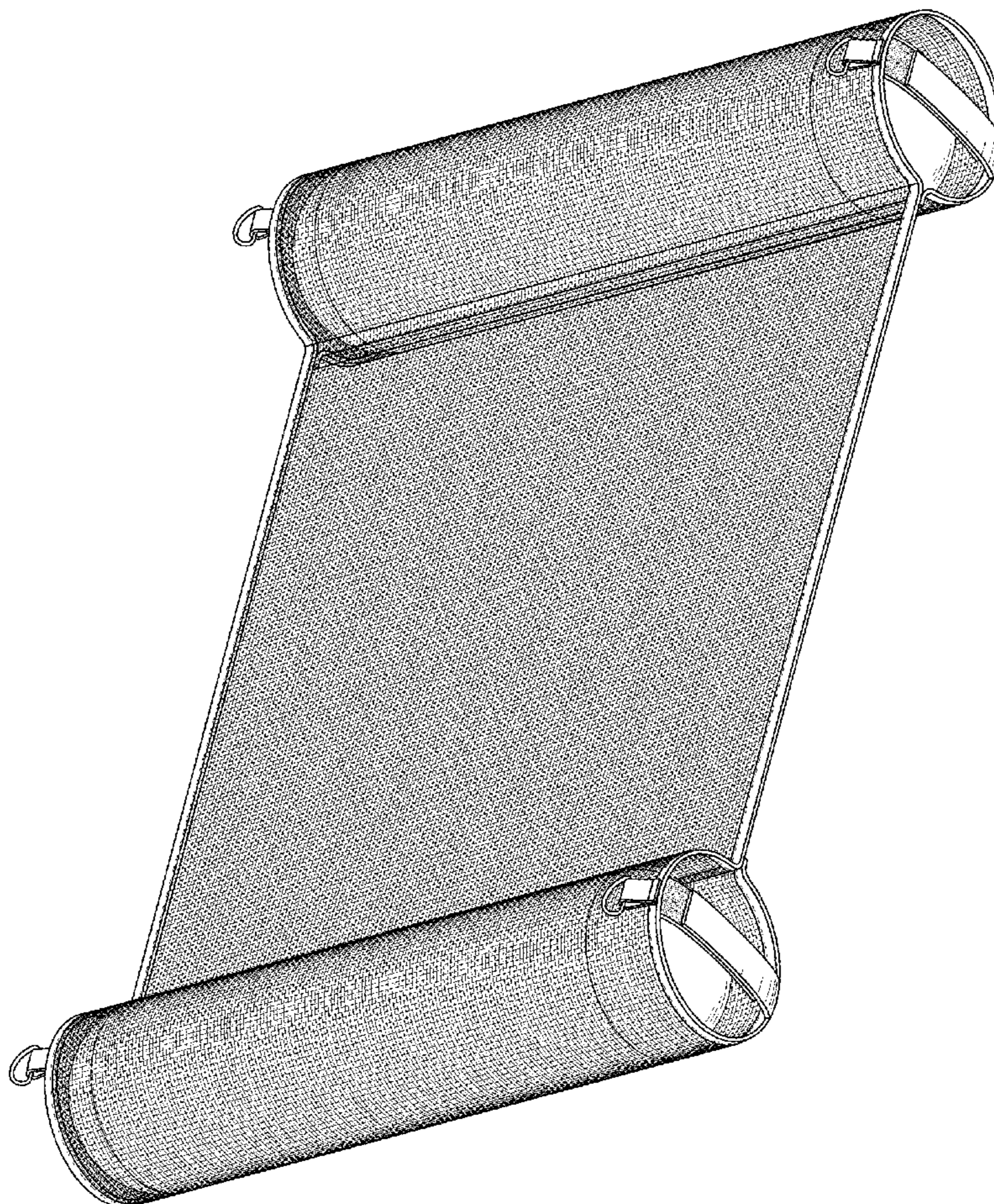
(57) **CLAIM**

The ornamental design for a water deck chair, as shown and described.

DESCRIPTION

FIG. 1 is a perspective view of a water deck chair showing my new design;
FIG. 2 is a front view thereof;
FIG. 3 is a rear view thereof;
FIG. 4 is a left side view thereof;
FIG. 5 is a right side view thereof;
FIG. 6 is a top plan view thereof; and,
FIG. 7 is a bottom plan view thereof.
The broken lines are representing stitching of the water deck chair and the broken lines form no part of the claimed design.

1 Claim, 7 Drawing Sheets



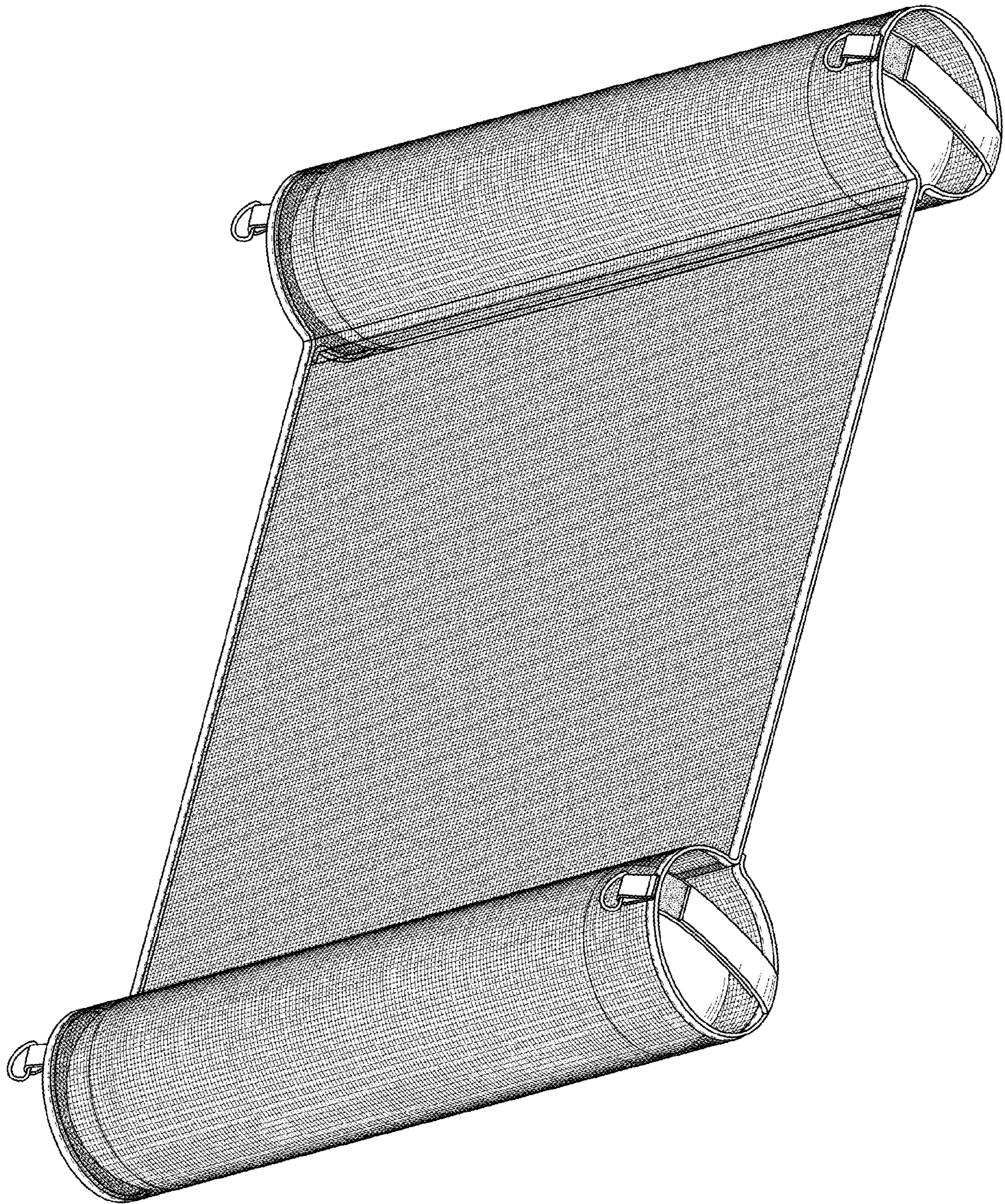


FIG. 1

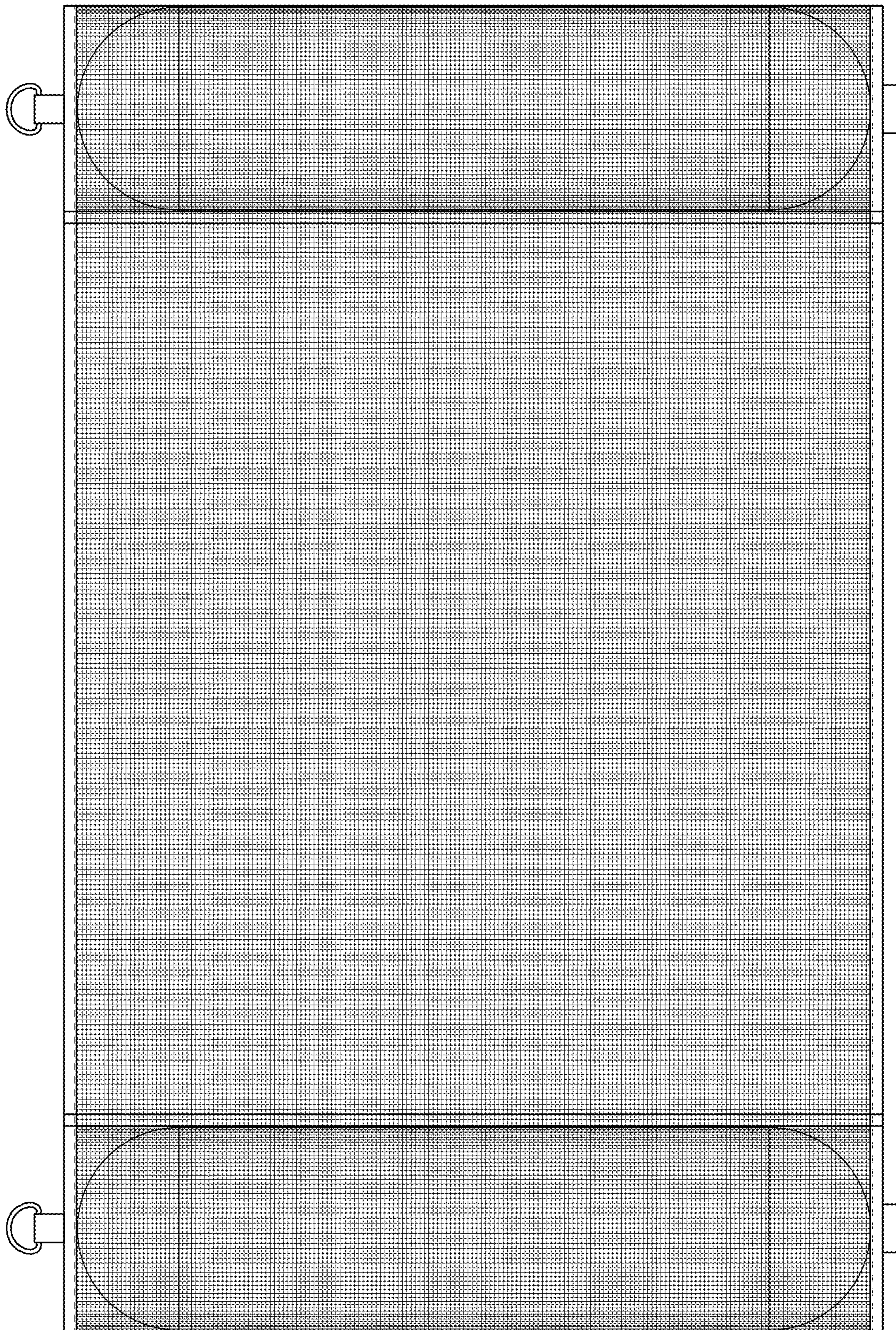


FIG. 2

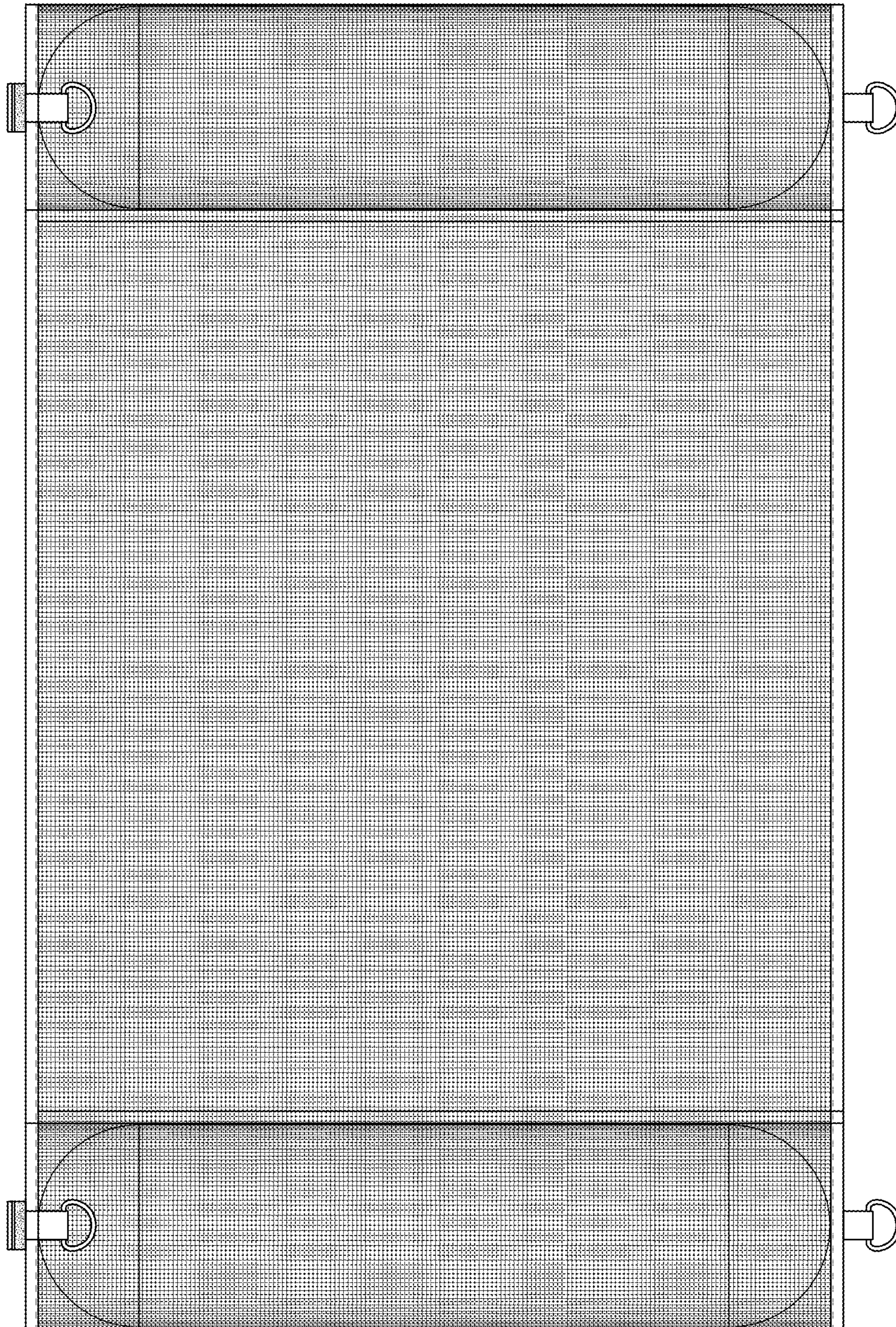


FIG. 3

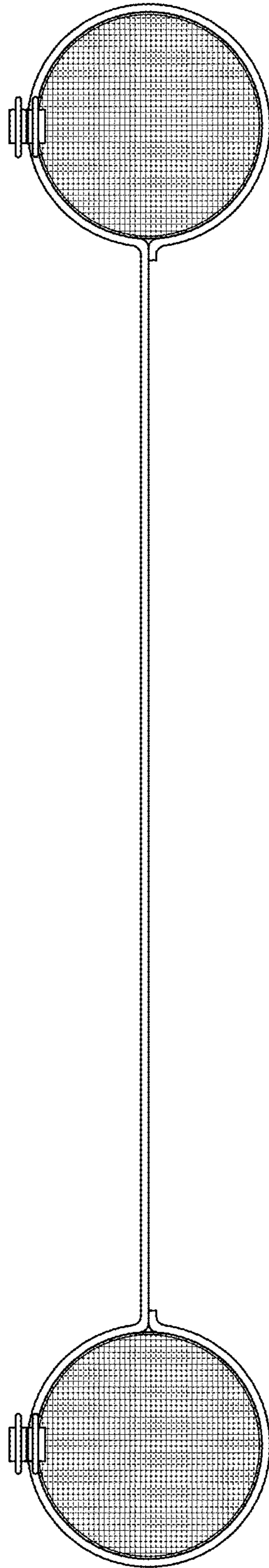


FIG. 4

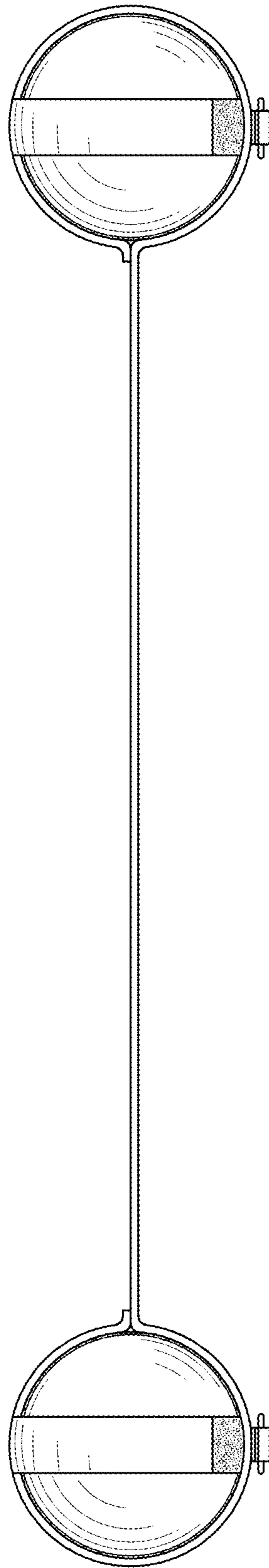


FIG. 5

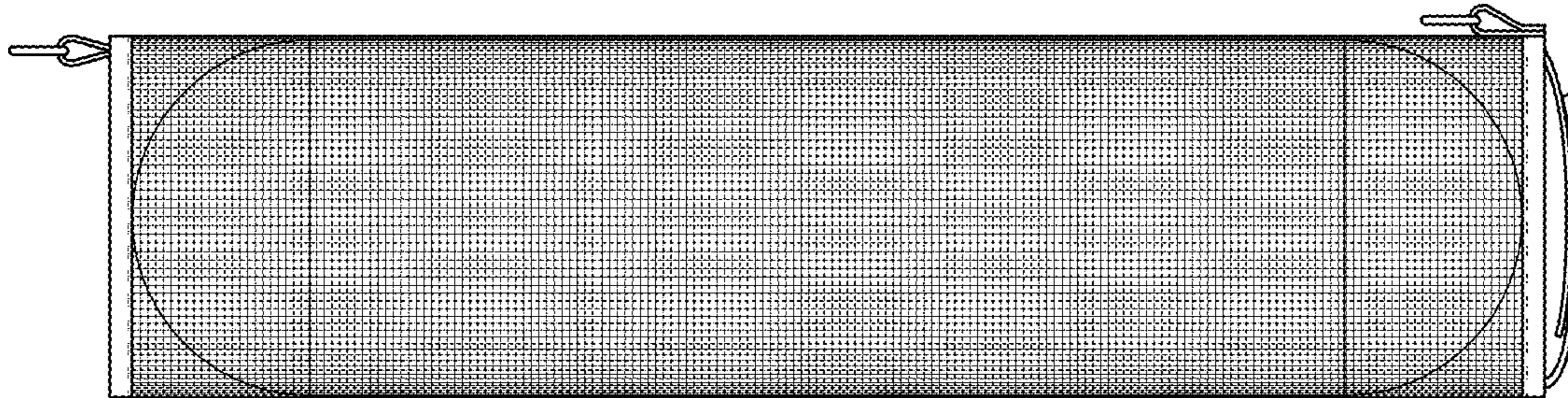


FIG. 6

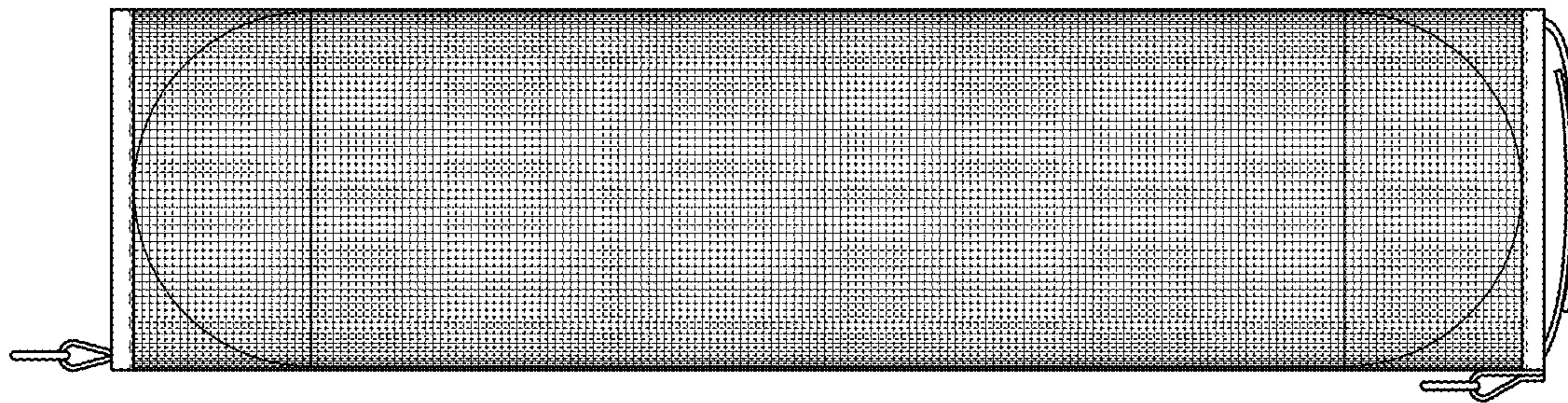


FIG. 7