



US00D949998S

(12) **United States Design Patent**  
**Wang**

(10) **Patent No.:** **US D949,998 S**

(45) **Date of Patent:** **\*\* Apr. 26, 2022**

- (54) **GOLF SWING PLATE**
- (71) Applicant: **Qingdao Billisagolf Co., Ltd., Qingdao (CN)**
- (72) Inventor: **Shengpeng Wang, Jiaozhou (CN)**
- (\*\*) Term: **15 Years**
- (21) Appl. No.: **29/786,002**
- (22) Filed: **May 28, 2021**
- (51) **LOC (13) Cl.** ..... **21-02**
- (52) **U.S. Cl.**  
USPC ..... **D21/791**
- (58) **Field of Classification Search**  
USPC ..... D21/789-792  
CPC . A63B 69/36; A63B 69/3605; A63B 69/3623;  
A63B 69/3608; A63B 69/3658; A63B  
69/3661; A63B 69/3667; A63B 69/3691;  
A63B 69/3629; A63B 2214/00; A63B  
2225/11; A63B 69/3676-3682  
See application file for complete search history.

- D555,221 S \* 11/2007 Munshi ..... D21/791
- D574,916 S \* 8/2008 Ford ..... D21/791
- D614,253 S 4/2010 Hadley
- D636,042 S 4/2011 Campitelli
- 7,980,958 B1 \* 7/2011 Ford ..... A63B 69/3621  
473/266
- D674,453 S 1/2013 DeLisio
- D728,718 S \* 5/2015 McDonald ..... D21/789
- D760,855 S \* 7/2016 Enter ..... D21/791
- D820,372 S \* 6/2018 Johnson ..... A63B 69/3661  
D21/792
- D828,472 S \* 9/2018 Alcantara ..... D21/792
- D860,366 S 9/2019 Bailey et al.
- D895,044 S \* 9/2020 Zhang ..... D21/791
- D905,186 S \* 12/2020 Meredith ..... D21/780

\* cited by examiner

*Primary Examiner* — Mitchell I. Siegel

(74) *Attorney, Agent, or Firm* — Rumit Ranjit Kanakia

(57) **CLAIM**

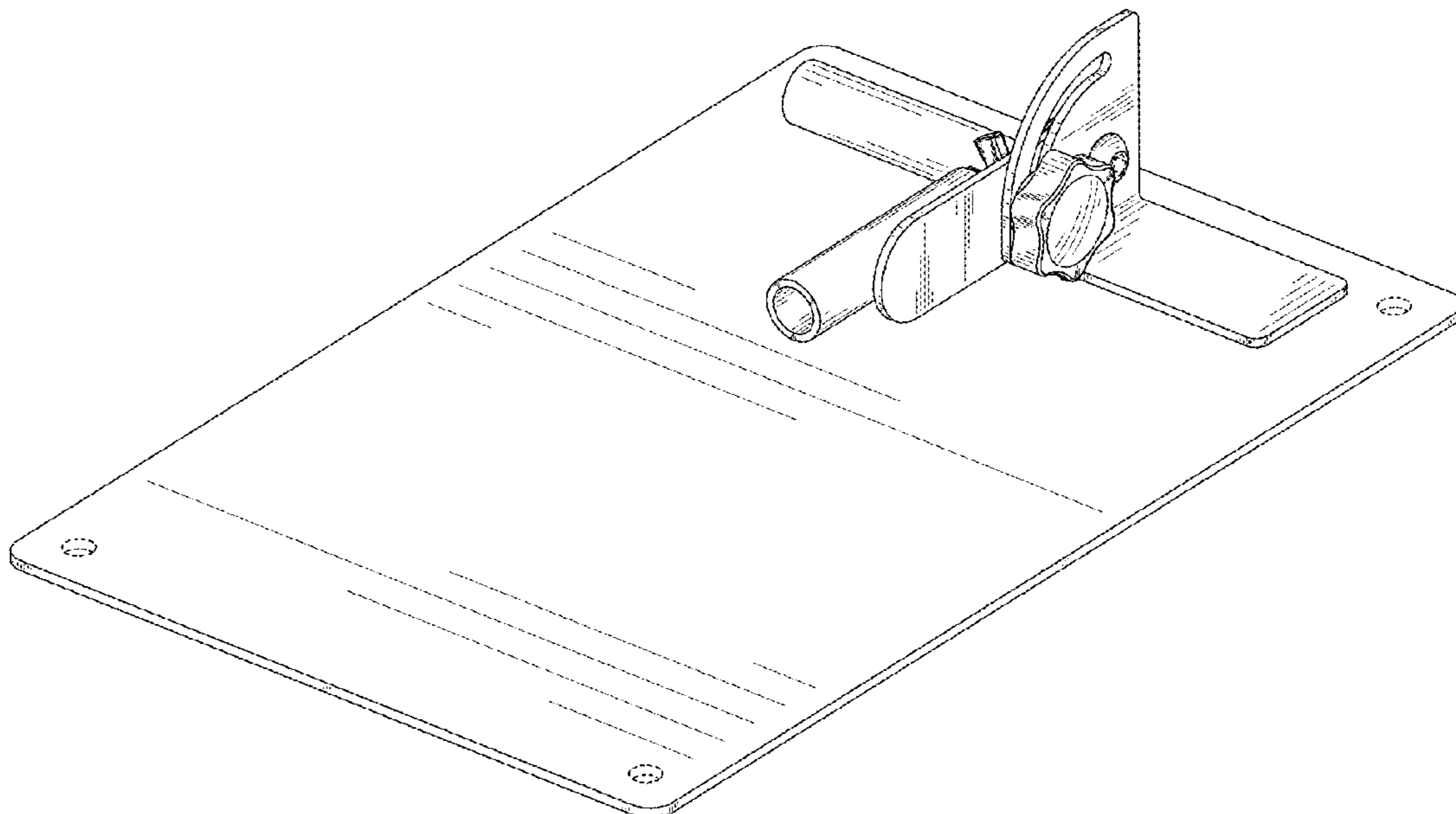
I claim the ornamental design for a golf swing plate, as shown and described.

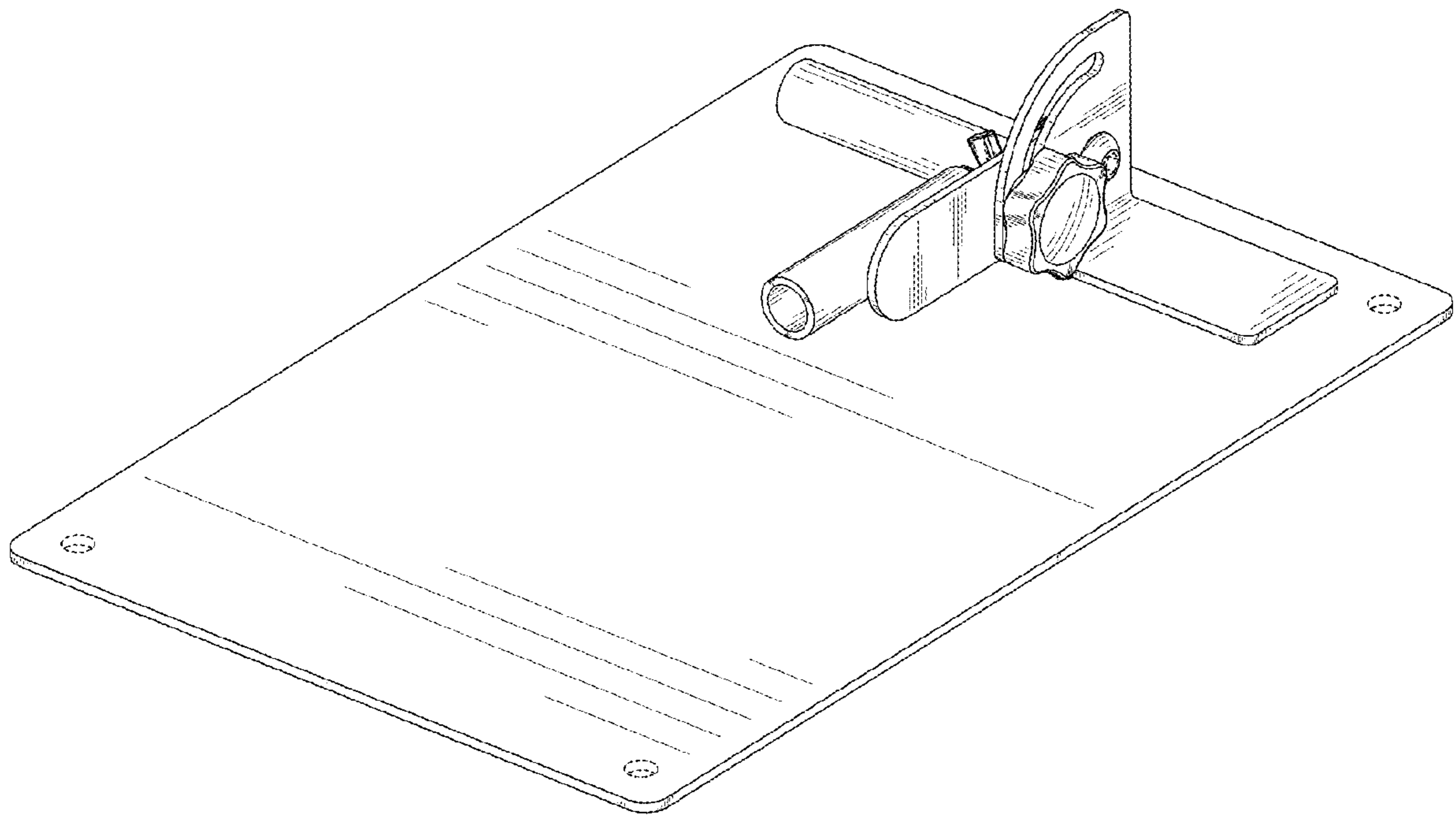
**DESCRIPTION**

FIG. 1 is a Perspective view of a golf swing plate showing my new design;  
 FIG. 2 is a Bottom Perspective view thereof;  
 FIG. 3 is a Front view thereof;  
 FIG. 4 is a Back view thereof;  
 FIG. 5 is a Left-side view thereof;  
 FIG. 6 is a Right-side view thereof;  
 FIG. 7 is a Top view thereof;  
 FIG. 8 is a Bottom view thereof; and,  
 FIG. 9 is a Perspective view of a golf swing plate showing in use view.  
 The broken lines in the drawings depict portions of the golf swing plate that form no part of the claimed design.

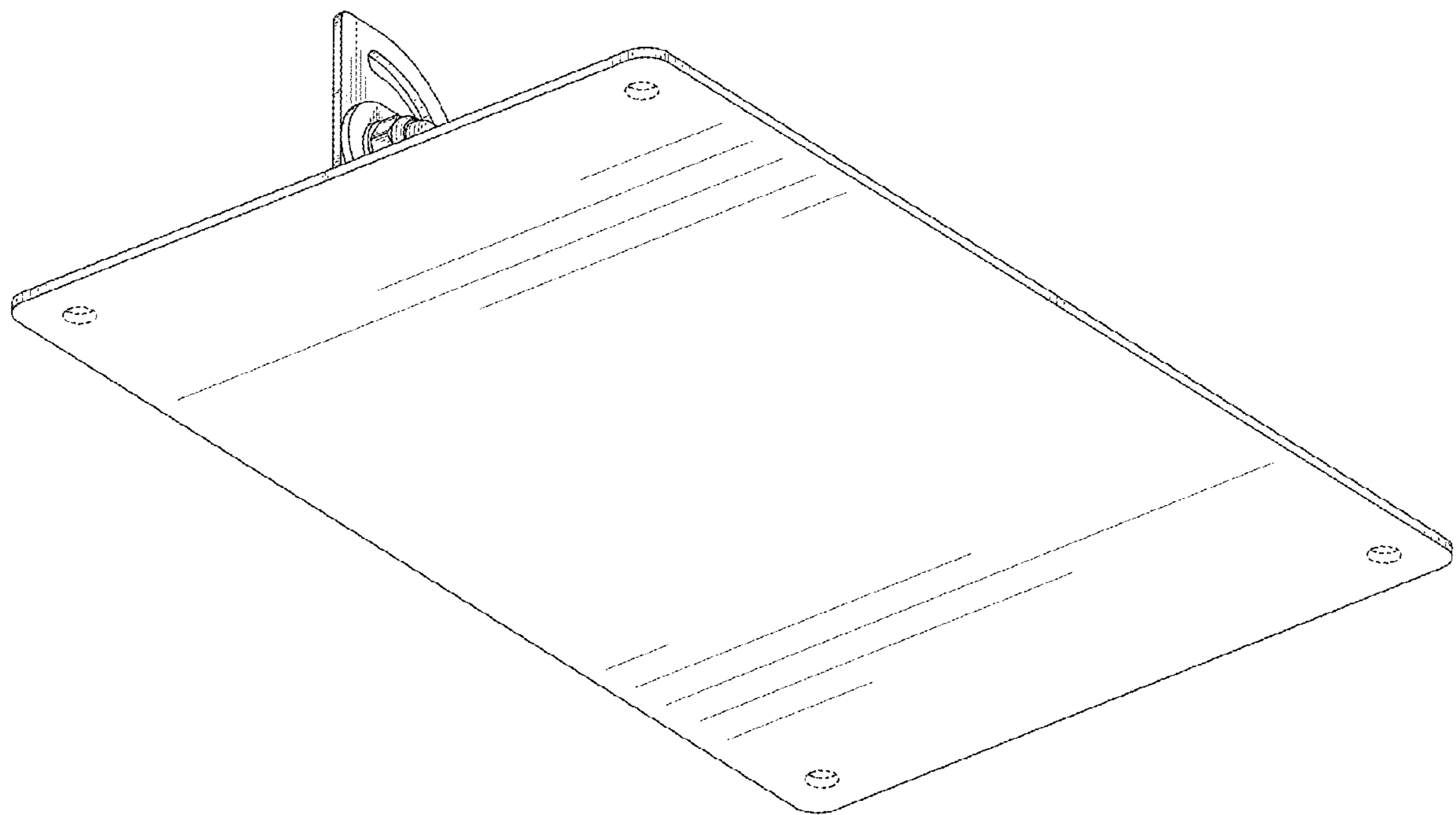
**1 Claim, 9 Drawing Sheets**

- (56) **References Cited**  
U.S. PATENT DOCUMENTS
- 3,107,920 A \* 10/1963 Strunk ..... A63B 69/3621  
473/265
- 4,465,281 A \* 8/1984 Whitfield ..... A63B 69/3661  
473/265
- D312,117 S \* 11/1990 Duncan ..... D21/792
- D319,092 S \* 8/1991 Dennesen ..... D21/466
- D353,179 S \* 12/1994 Pittman ..... D21/759
- 5,593,355 A \* 1/1997 Beaver ..... A63B 69/3661  
473/262
- 6,425,830 B1 \* 7/2002 Chou ..... A63B 69/3623  
473/149
- D500,544 S \* 1/2005 Wu ..... D21/791
- D509,275 S \* 9/2005 Lau ..... D21/791
- D515,651 S \* 2/2006 Tupman ..... D21/791

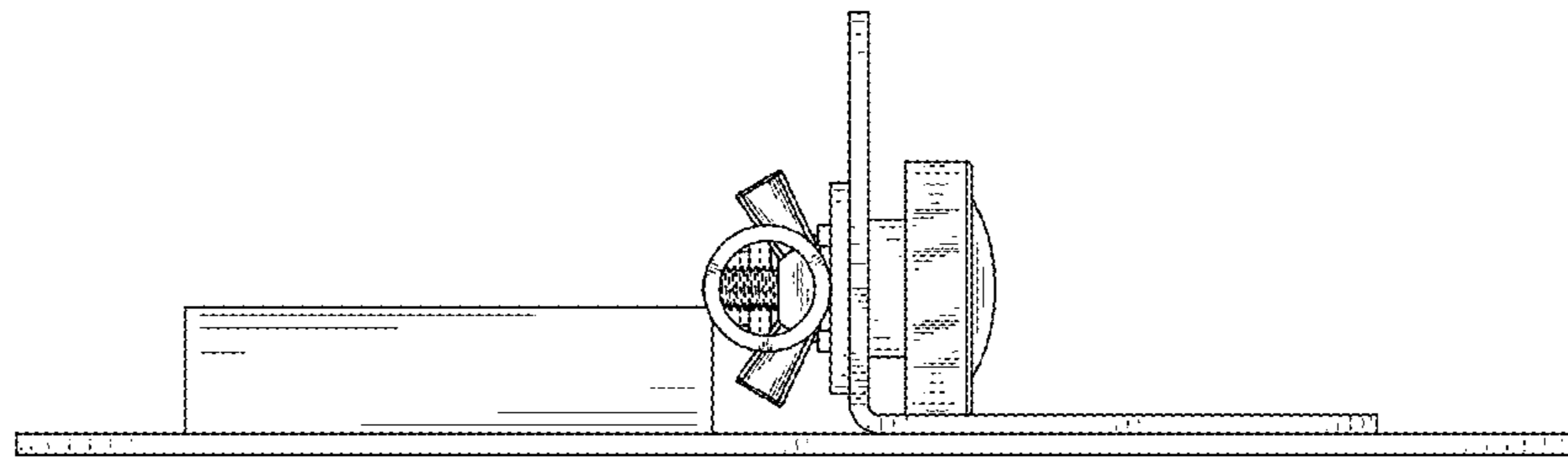




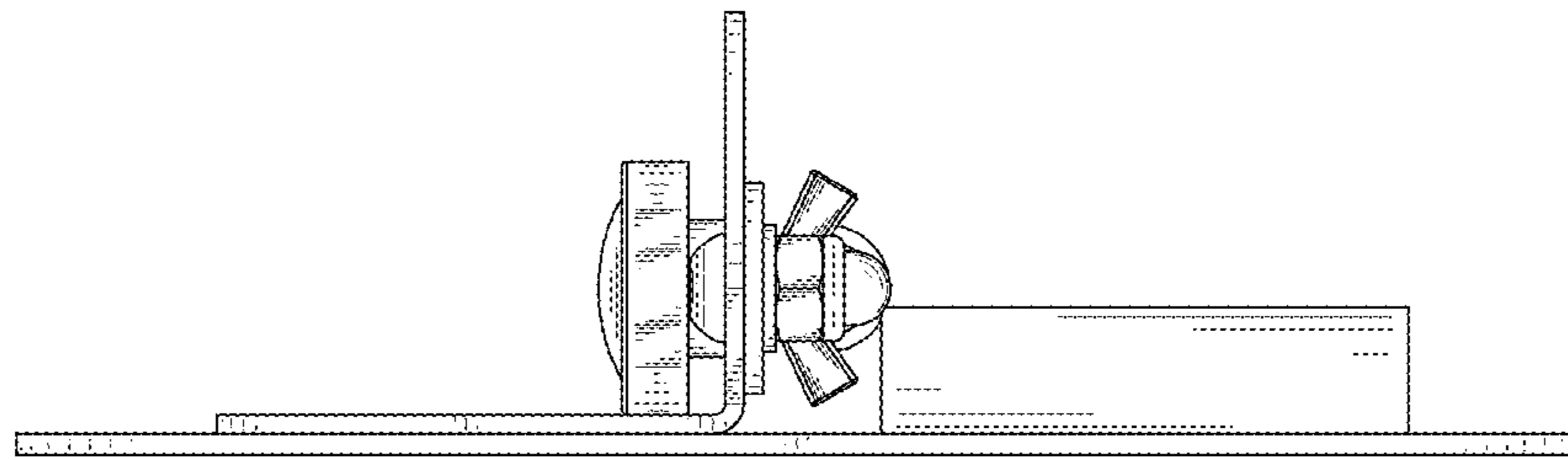
**FIG. 1**



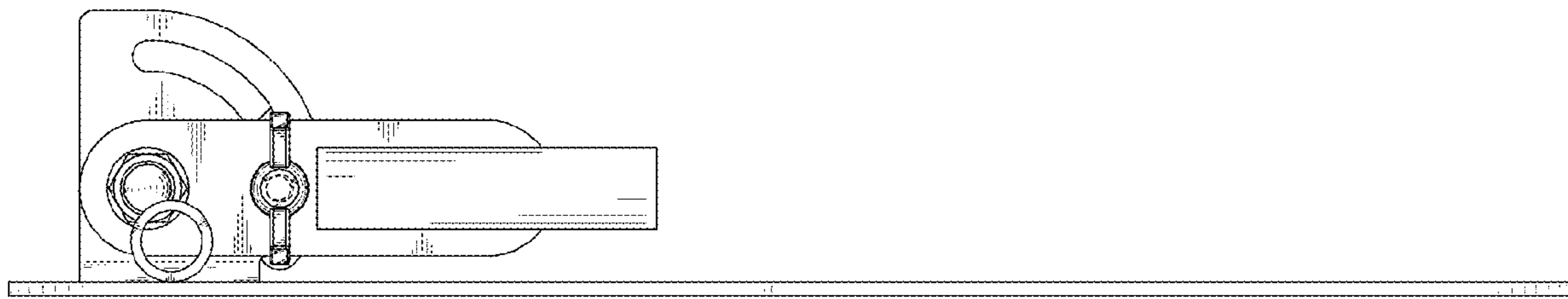
**FIG. 2**



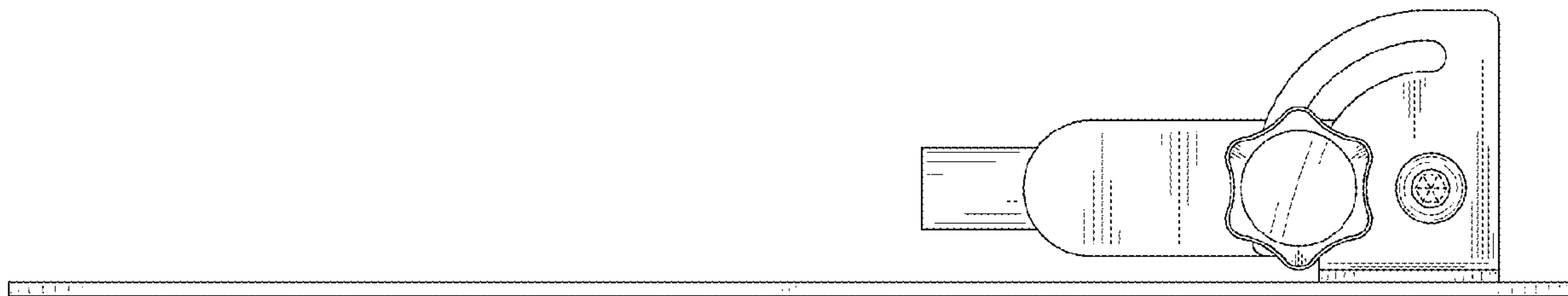
**FIG. 3**



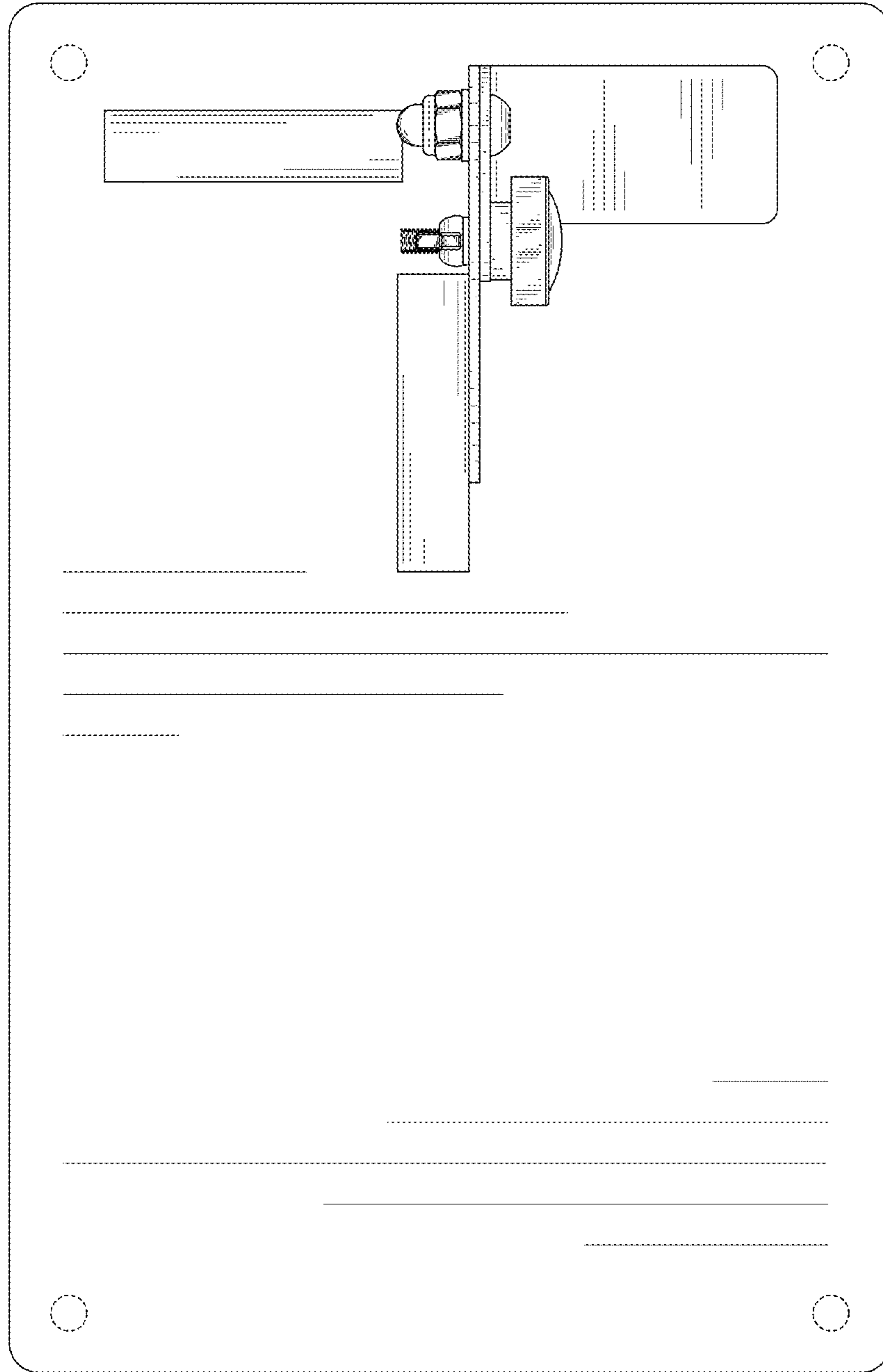
**FIG. 4**



**FIG. 5**

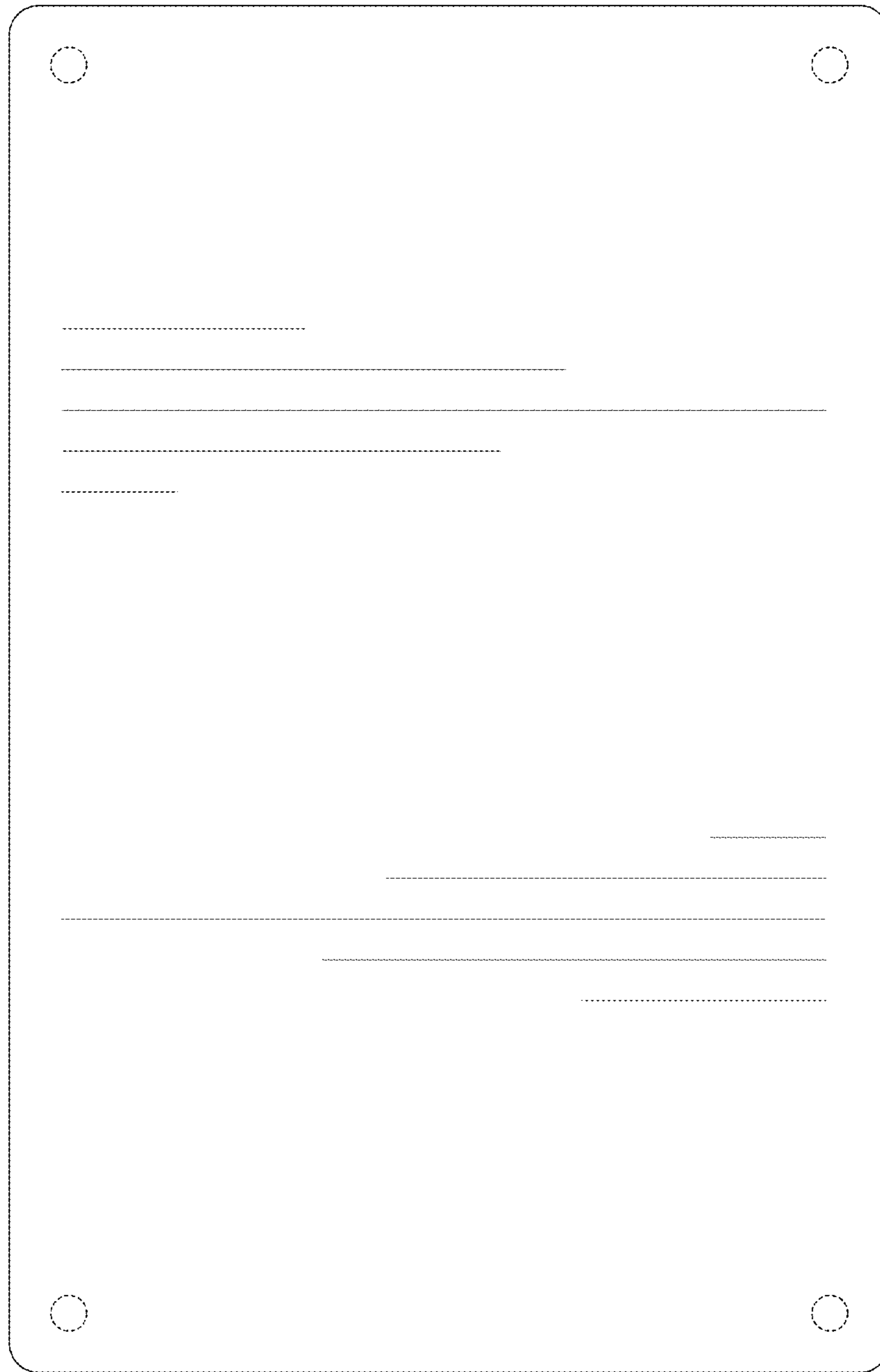


**FIG. 6**

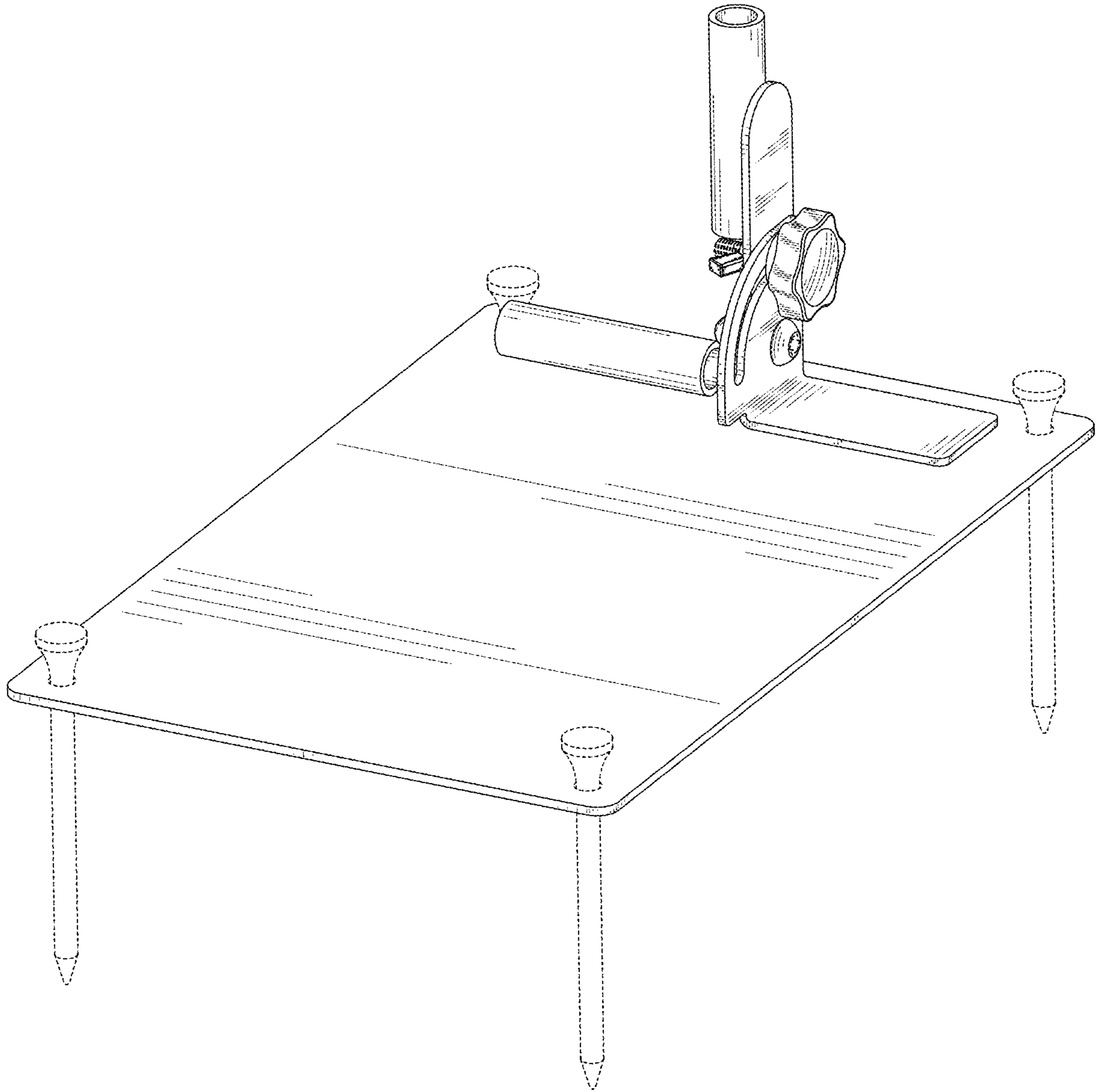


**FIG. 7**





**FIG. 8**



**FIG. 9**