



US00D949997S

(12) **United States Design Patent** (10) **Patent No.:** **US D949,997 S**
Blanc (45) **Date of Patent:** **** Apr. 26, 2022**

(54) **GOLF TRAINING AID**
(71) Applicant: **Alex Blanc**, Clermont, FL (US)
(72) Inventor: **Alex Blanc**, Clermont, FL (US)
(**) Term: **15 Years**
(21) Appl. No.: **29/746,891**
(22) Filed: **Aug. 18, 2020**
(51) **LOC (13) Cl.** **21-02**
(52) **U.S. Cl.**
USPC **D21/791**
(58) **Field of Classification Search**
USPC D21/789, 791
CPC A63B 67/02; A63B 2067/025; A63B
2063/001; A63B 67/06-08; A63B 57/357;
A63B 69/3608; A63B 69/3676
See application file for complete search history.

D536,404 S * 2/2007 Lister D21/791
D601,219 S * 9/2009 Olson D21/791
D607,526 S * 1/2010 Hofwegen D21/790
7,771,284 B1 * 8/2010 Brown A63B 57/00
473/220
D712,991 S * 9/2014 Tatum D21/791
D717,384 S * 11/2014 Tatum D21/791
2008/0220890 A1 * 9/2008 McCoy A63B 57/357
473/173

* cited by examiner

Primary Examiner — Mitchell I. Siegel
(74) *Attorney, Agent, or Firm* — The Rapacke Law
Group, P.A.

(57) **CLAIM**

The ornamental design for a golf training aid, as shown and described.

DESCRIPTION

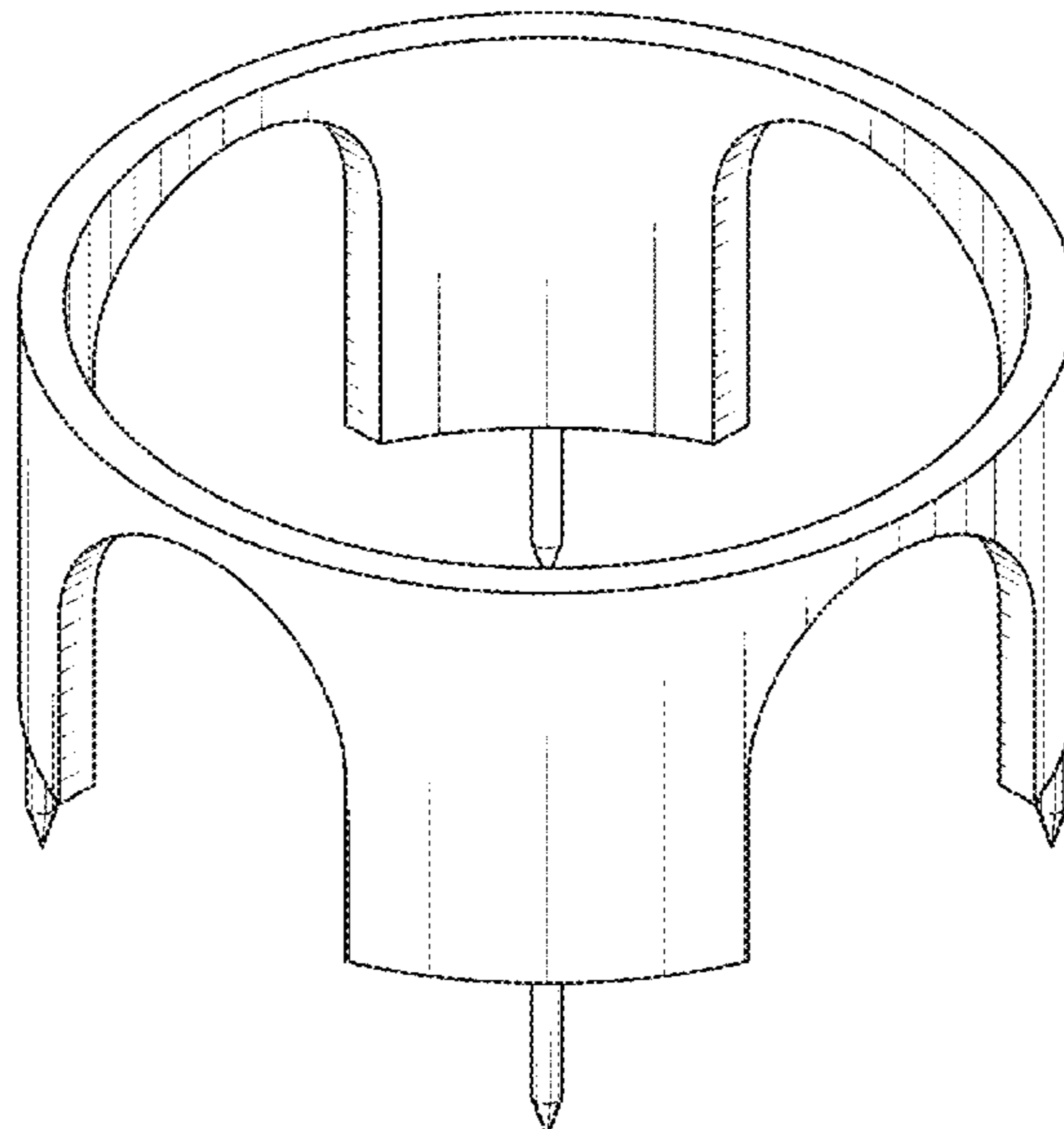
FIG. 1 is a perspective view of the golf training aid, showing the new design;
FIG. 2 is a left side elevational view of the golf training aid thereof;
FIG. 3 is a front elevational view of the golf training aid thereof;
FIG. 4 is a top plan view of the golf training aid thereof;
FIG. 5 is a bottom plan view of the golf training aid thereof;
and,
FIG. 6 is an environmental view of the golf training aid thereof.
The right side elevation view of the golf training aid is a mirror image of the left side elevational view of the golf training aid shown in FIG. 2.
The rear elevational view of the golf training aid is a mirror image of the front elevational view of the golf training aid shown in FIG. 3.
The broken lines in the drawings illustrate environmental subject matter and form no part of the claimed design.

(56) **References Cited**

U.S. PATENT DOCUMENTS

2,626,152 A * 1/1953 Miller A63B 63/00
473/185
2,869,875 A * 1/1959 Steenson A63B 69/3676
473/170
D273,803 S * 5/1984 Johnson D21/790
4,667,964 A * 5/1987 Hickey A63B 57/357
473/172
5,087,046 A * 2/1992 Mauch A63B 67/02
206/315.2
D332,817 S * 1/1993 Mullen D21/782
D336,618 S * 6/1993 Smith D10/65
5,310,187 A * 5/1994 Yamaguchi A63B 57/357
473/180
D349,547 S * 8/1994 Whittaker D21/791
D372,289 S * 7/1996 Whittaker D21/700
5,954,590 A * 9/1999 Nixey A63B 67/02
473/185
D452,543 S * 12/2001 Hiatt D21/789
D477,044 S * 7/2003 Davis D21/790

1 Claim, 4 Drawing Sheets



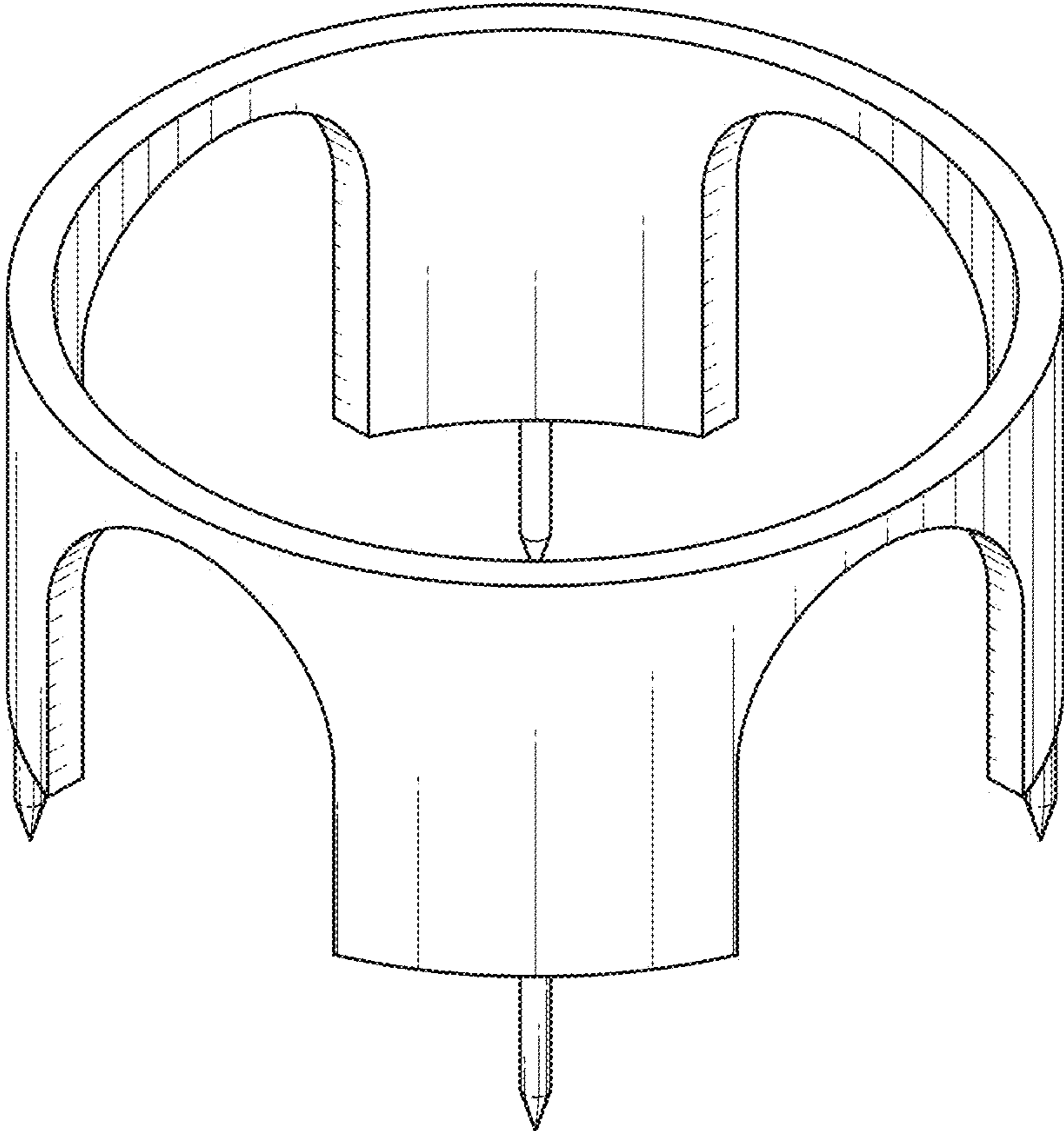


FIG. 1

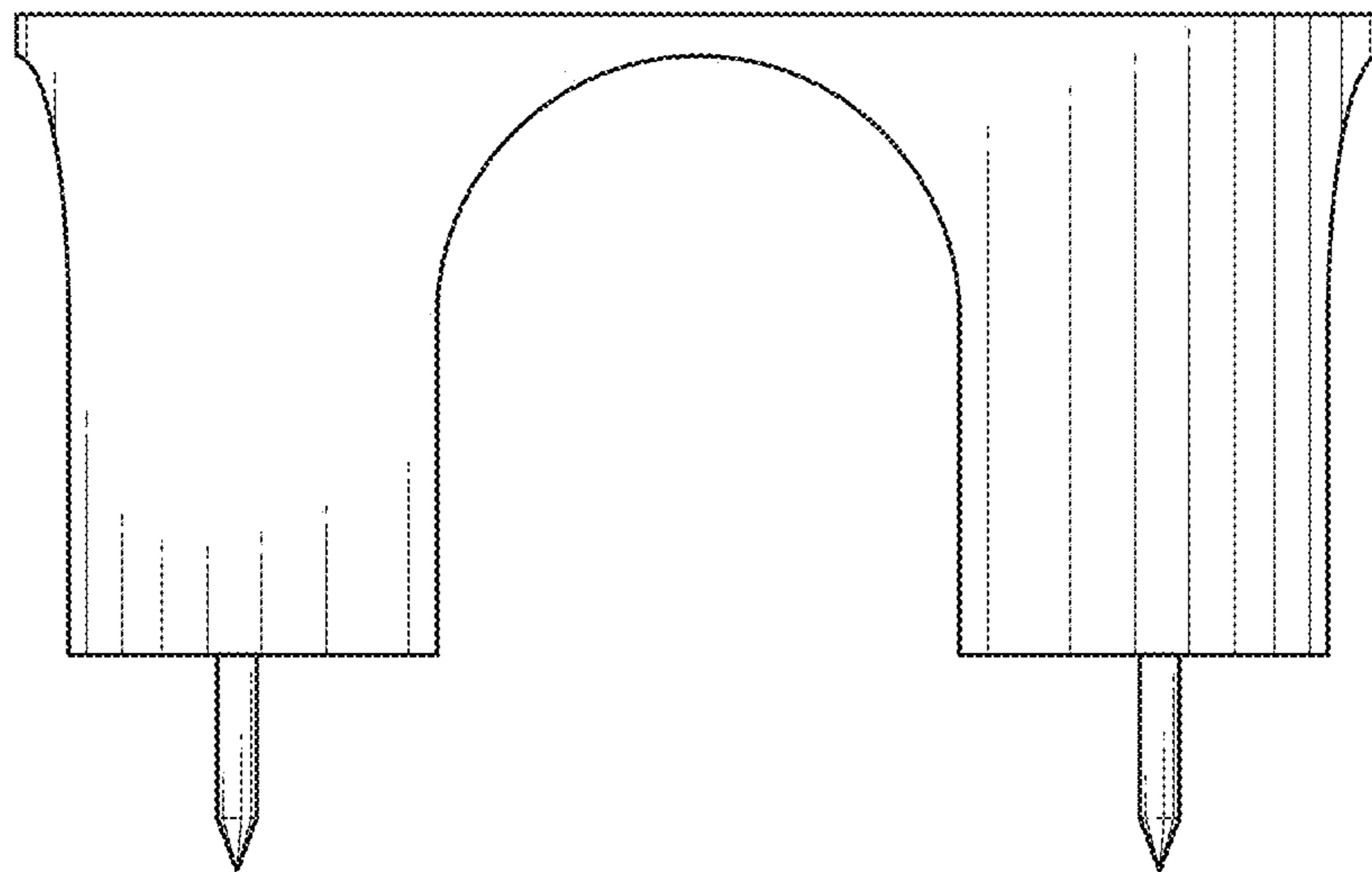


FIG. 2

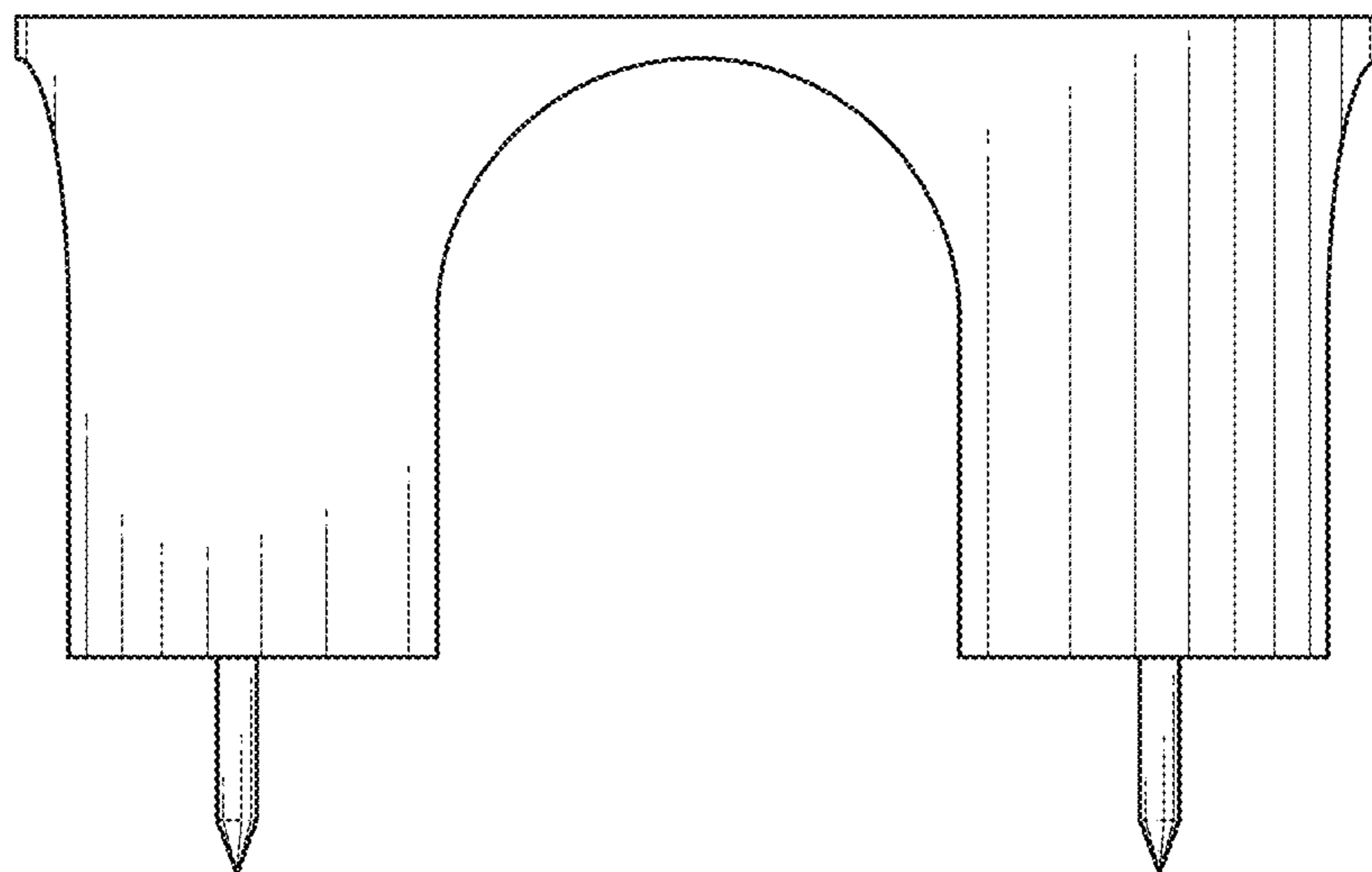


FIG. 3

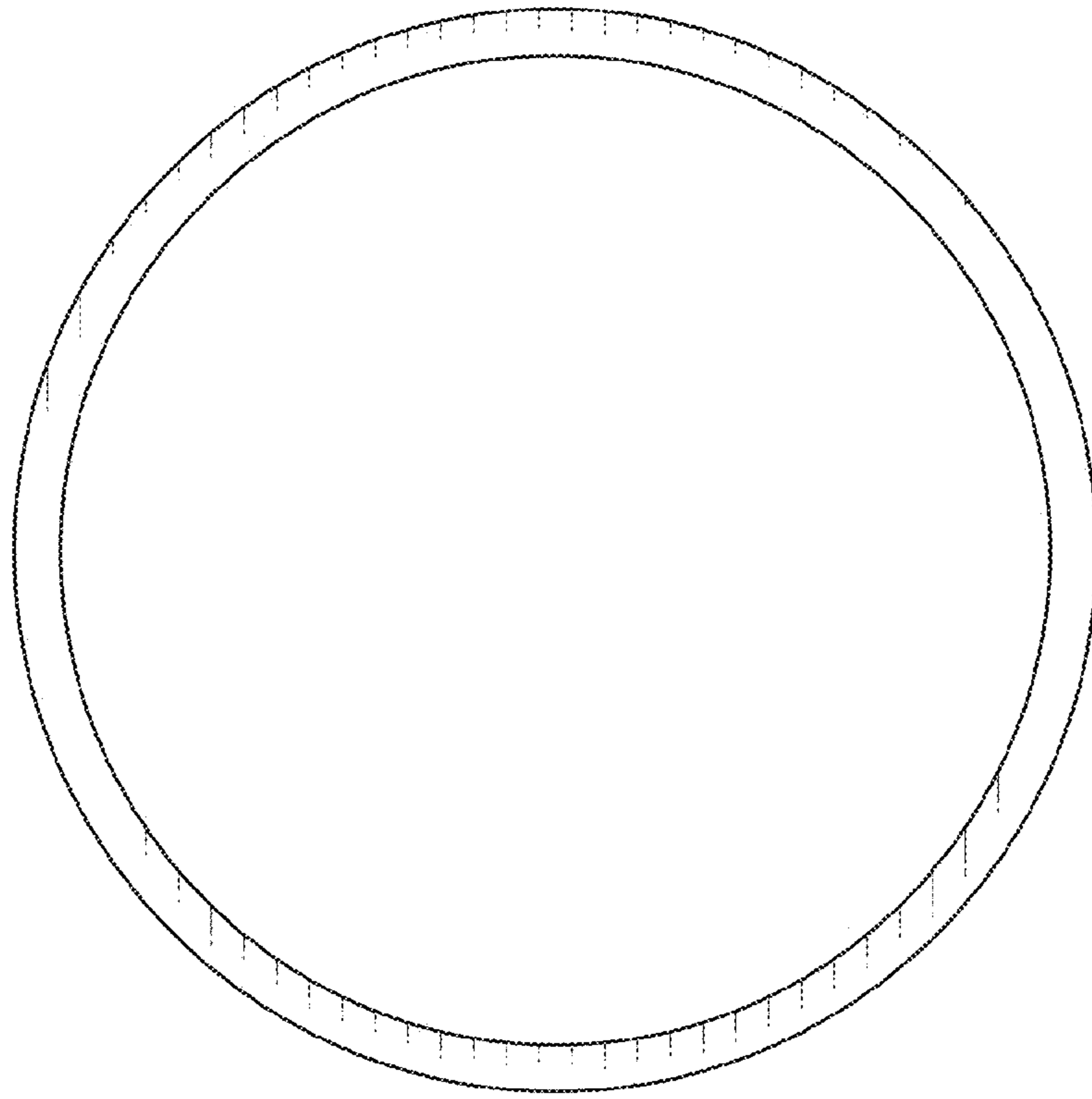


FIG. 4

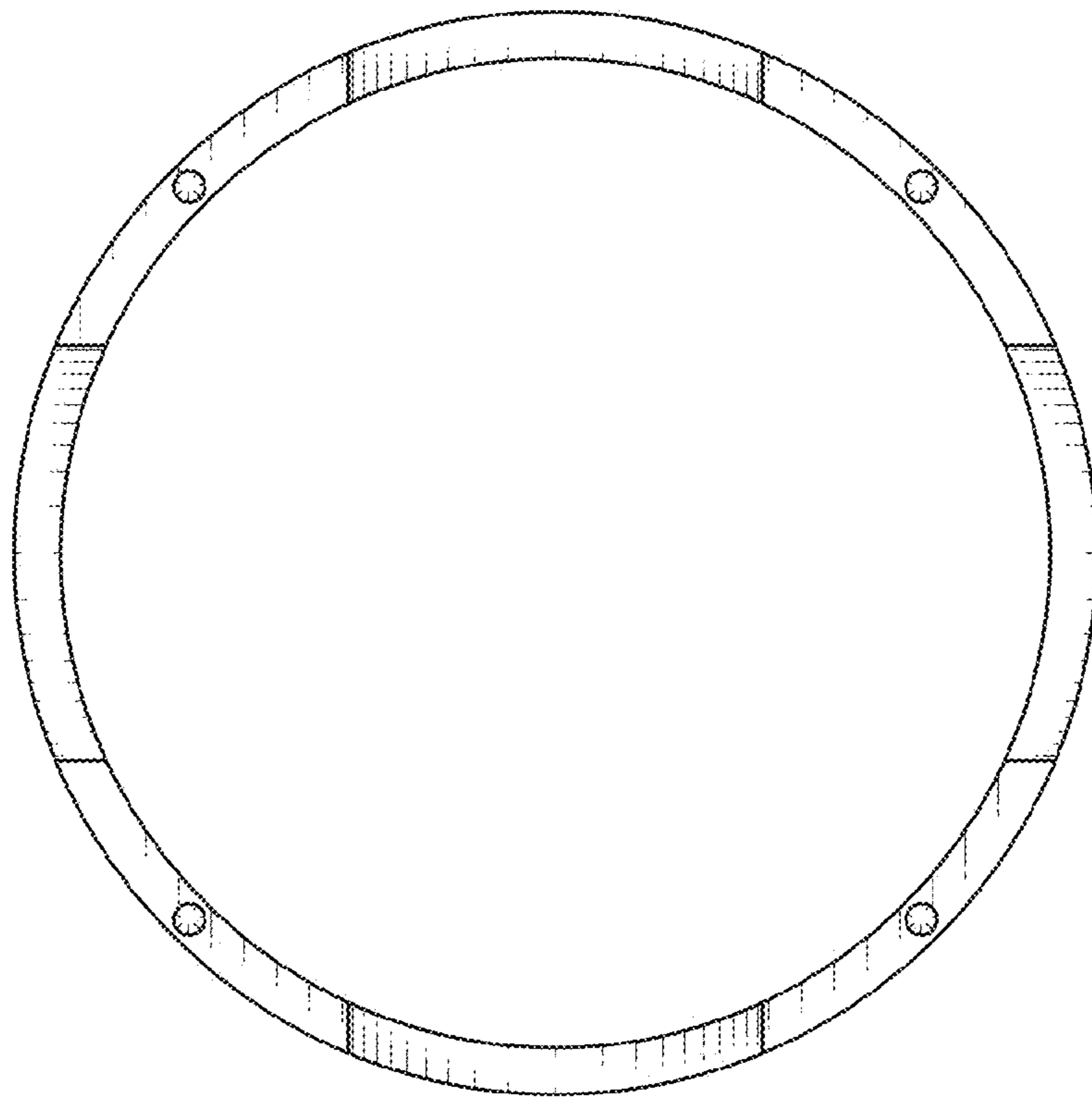


FIG. 5

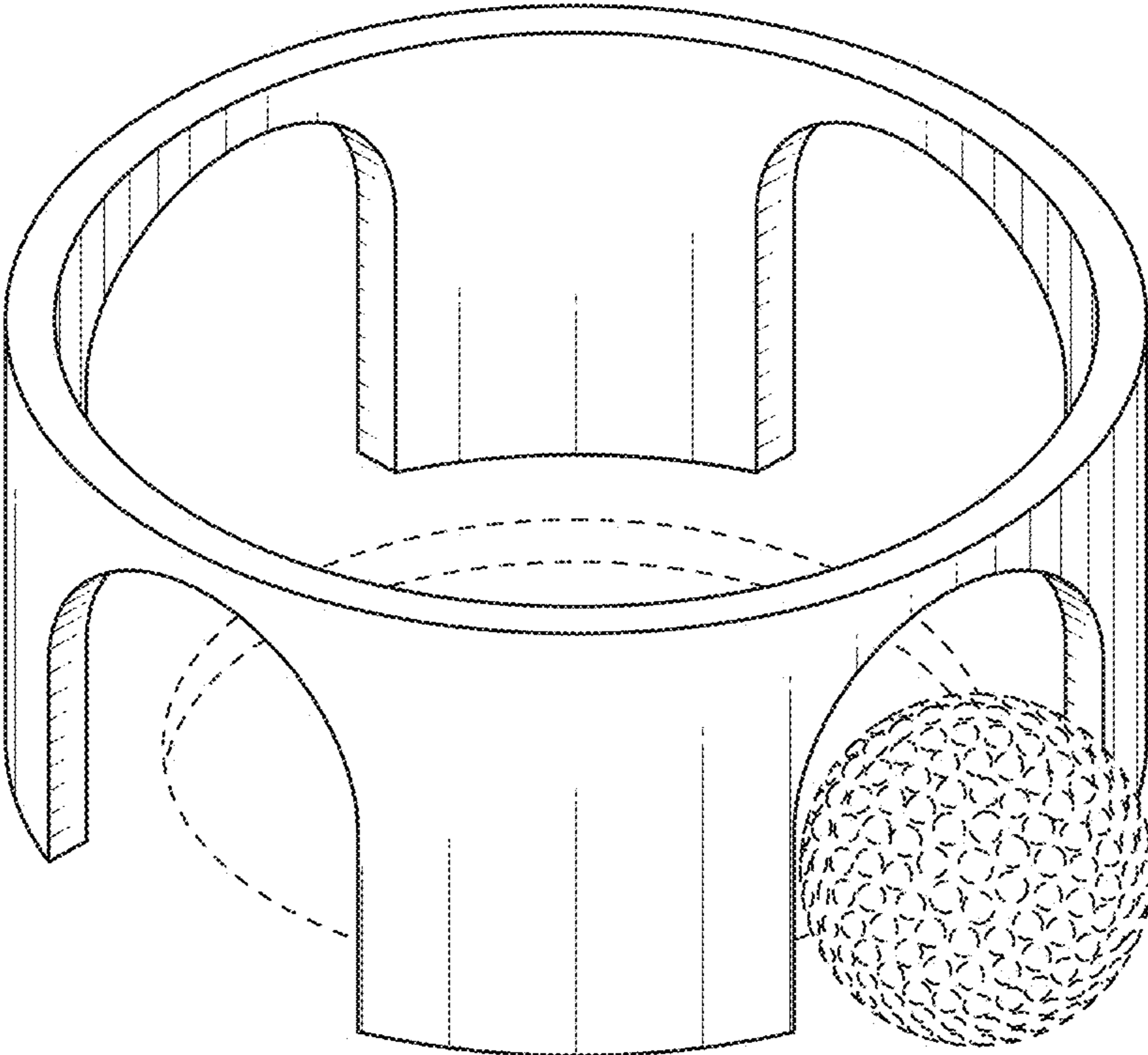


FIG. 6