

US00D949996S

(12) **United States Design Patent**  
**Garcia**

(10) **Patent No.:** **US D949,996 S**

(45) **Date of Patent:** **\*\* Apr. 26, 2022**

(54) **WAKE SURF FIN**

(71) Applicant: **Elias Garcia**, Tooele, UT (US)

(72) Inventor: **Elias Garcia**, Tooele, UT (US)

(\*\*) Term: **15 Years**

(21) Appl. No.: **29/716,904**

(22) Filed: **Dec. 12, 2019**

(51) **LOC (13) Cl.** ..... **21-01**

(52) **U.S. Cl.**  
USPC ..... **D21/778**

(58) **Field of Classification Search**  
USPC ..... D21/533, 545, 561, 778; D12/300, 303,  
D12/309, 317, 337-338, 345

CPC ..... G01M 9/06

See application file for complete search history.

(56) **References Cited**

**U.S. PATENT DOCUMENTS**

D244,958 S *	7/1977	Bleser	.....	D21/808
D261,448 S *	10/1981	Liebscher	.....	D11/81
D261,916 S *	11/1981	Knox	.....	D21/778
D329,039 S *	9/1992	Struyk	.....	D12/317
D397,394 S *	8/1998	Akins	.....	D21/778
D418,568 S *	1/2000	Hudson	.....	D12/317
6,139,383 A *	10/2000	Jolly	.....	B63B 32/66 441/74
D570,945 S *	6/2008	Stagnaro	.....	D21/778
D631,927 S *	2/2011	Potter	.....	D21/778

D709,250 S *	7/2014	Walker	.....	D30/158
D763,387 S *	8/2016	Pierce	.....	D21/778
D775,291 S *	12/2016	Thomas	.....	D21/778
D867,506 S *	11/2019	Montanaro	.....	D21/778
D869,587 S *	12/2019	Bell	.....	D21/778

\* cited by examiner

*Primary Examiner* — Michael C Stout

*Assistant Examiner* — Melvin L Davis

(74) *Attorney, Agent, or Firm* — Gurr Brande &  
Spendlove, PLLC; Robert A. Gurr

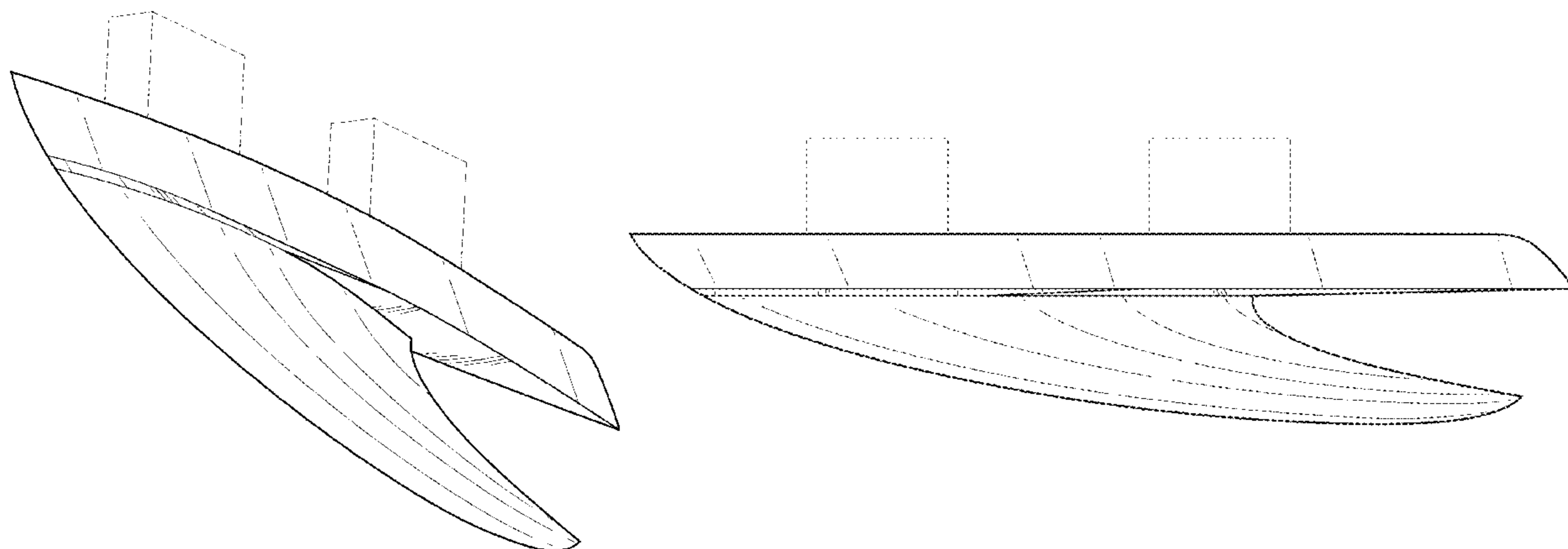
(57) **CLAIM**

The ornamental design for a wake surf fin, as shown and described.

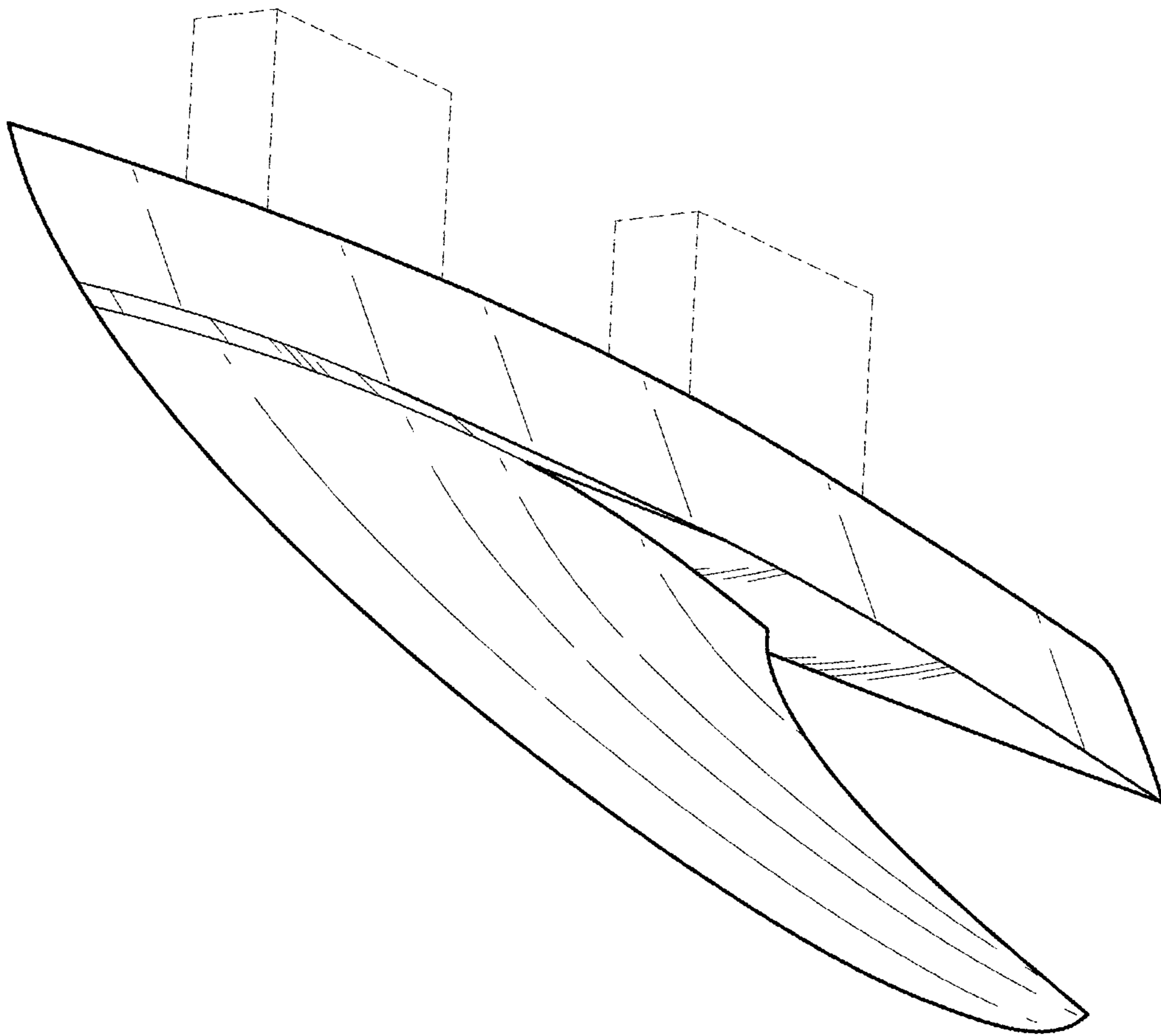
**DESCRIPTION**

FIG. 1 is a bottom perspective view of the wake surf fin; FIG. 2 is a top perspective view of the wake surf fin; FIG. 3 is a right, side elevation view of the wake surf fin, the left side being a mirror image thereof; FIG. 4 is a top plan view of the wake surf fin; FIG. 5 is a bottom plan view of the wake surf fin; FIG. 6 is a front elevation view of the wake surf fin; and, FIG. 7 is a rear elevation view of the wake surf fin. The broken lines shown in the drawings are for the purpose of illustrating portions of the article that form no part of the claimed design.

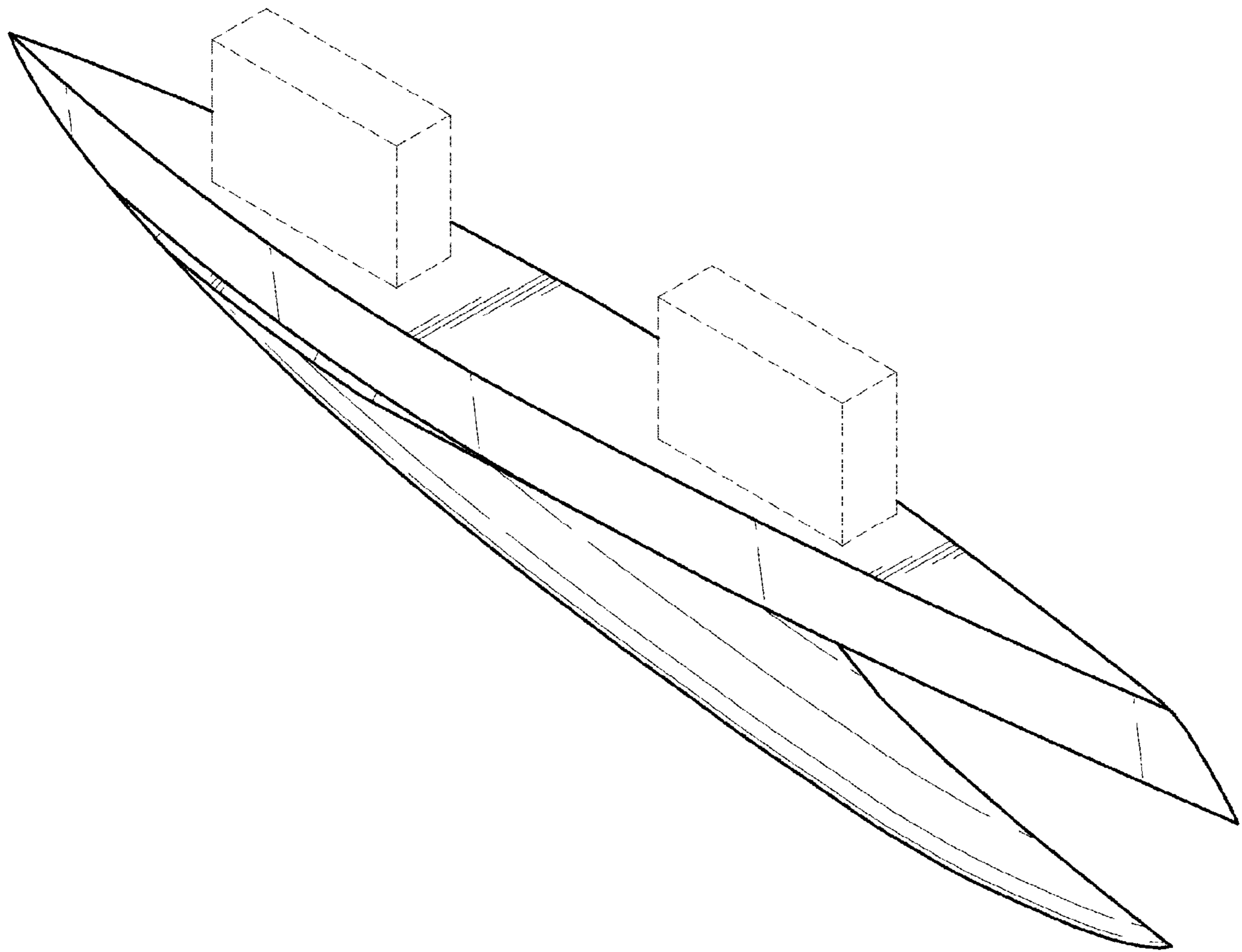
**1 Claim, 4 Drawing Sheets**



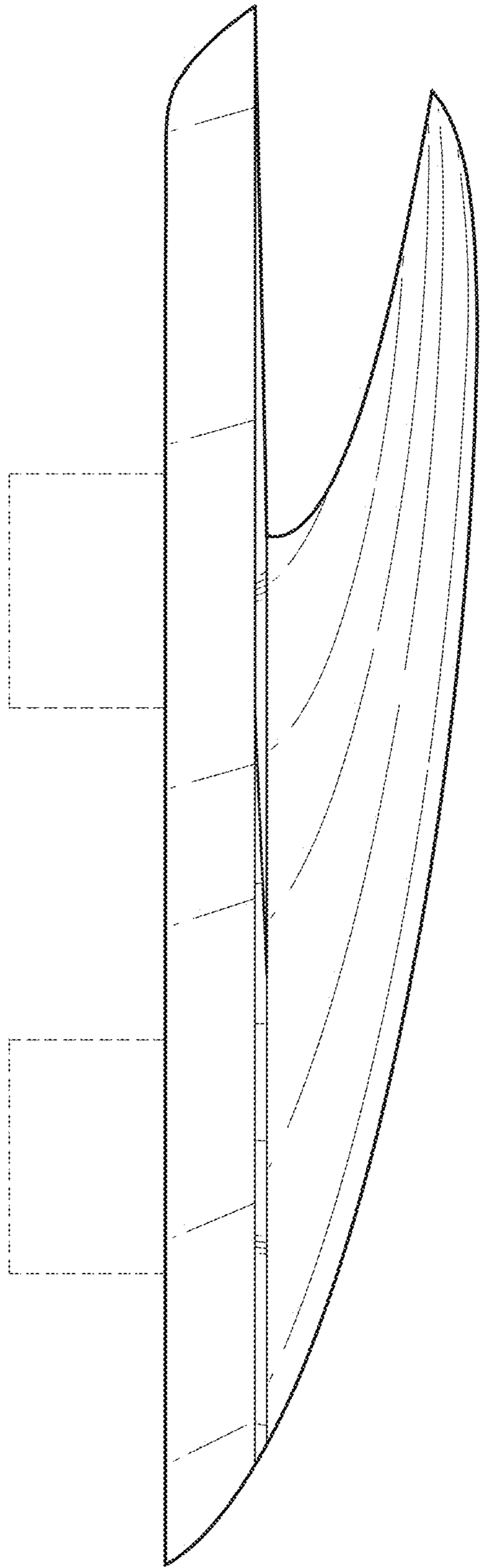
**FIG. 1**



*FIG. 2*



**FIG. 3**



**FIG. 4**

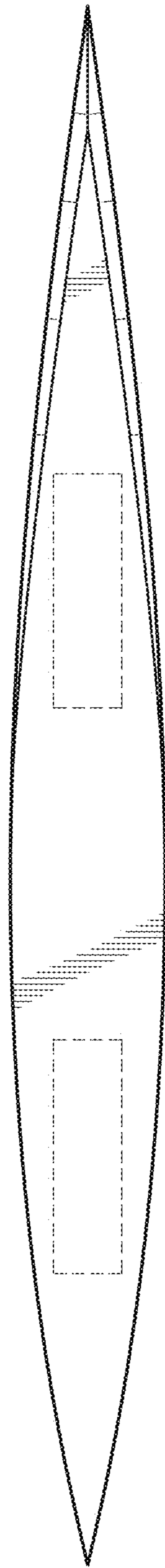


FIG. 5

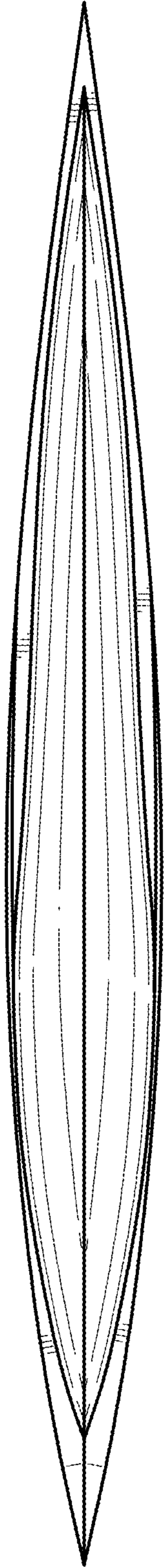


FIG. 6

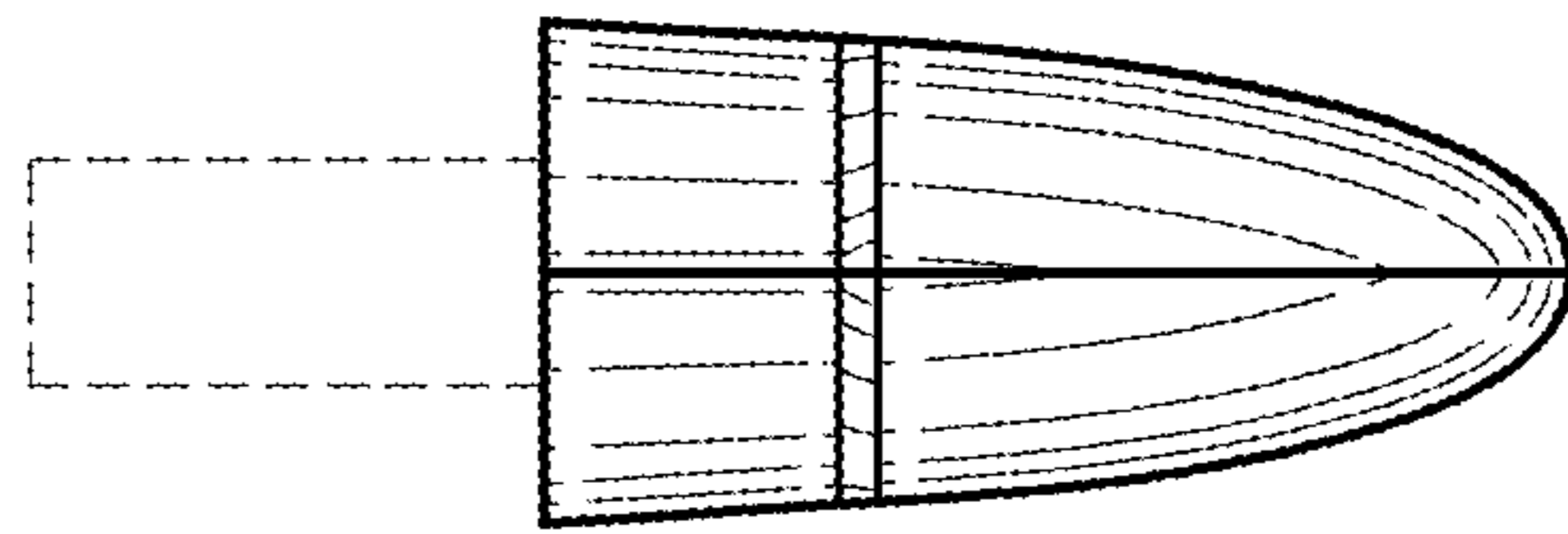


FIG. 7

