

US00D949995S

(12) **United States Design Patent**
Canchola et al.

(10) **Patent No.:** **US D949,995 S**

(45) **Date of Patent:** **** Apr. 26, 2022**

- (54) **SURFBOARD FIN**
- (71) Applicants: **Steven Canchola**, Ventura, CA (US);
Xavier Canchola, Ventura, CA (US)
- (72) Inventors: **Steven Canchola**, Ventura, CA (US);
Xavier Canchola, Ventura, CA (US)
- (**) Term: **15 Years**
- (21) Appl. No.: **29/703,297**
- (22) Filed: **Aug. 26, 2019**
- (51) **LOC (13) Cl.** **21-02**
- (52) **U.S. Cl.**
USPC **D21/778**
- (58) **Field of Classification Search**
USPC D21/769, 770, 771, 778, 801, 803, 804,
D21/806, 808, 809, 810
CPC B63B 2035/715; B63B 35/7926; B63B
35/7906; A63B 31/04; A63B 31/08; A63B
31/10
See application file for complete search history.

- 5,480,331 A * 1/1996 Lewis B63B 32/60
441/79
- D445,867 S * 7/2001 Reudink D21/772
- D633,972 S * 3/2011 Etersque D21/778
- D703,781 S * 4/2014 Durante D21/778
- D857,827 S * 8/2019 Dustin D21/806

OTHER PUBLICATIONS

“Future Style Longboard Sup Sidebite Fin Set” available Jan. 10, 2022, [online], [site visited Jan. 10, 2022]. Retrieved from Internet, URL: <https://greenlightsurfsupply.com/collections/surfboard-fins/products/future-style-longboard-sup-sidebite-fin-set> (Year: 2022).*

* cited by examiner

Primary Examiner — Michael C Stout

Assistant Examiner — Katrina N Gonzalez

(74) *Attorney, Agent, or Firm* — Sandy Lipkin

(57) **CLAIM**

The ornamental design for a surfboard fin, as shown.

DESCRIPTION

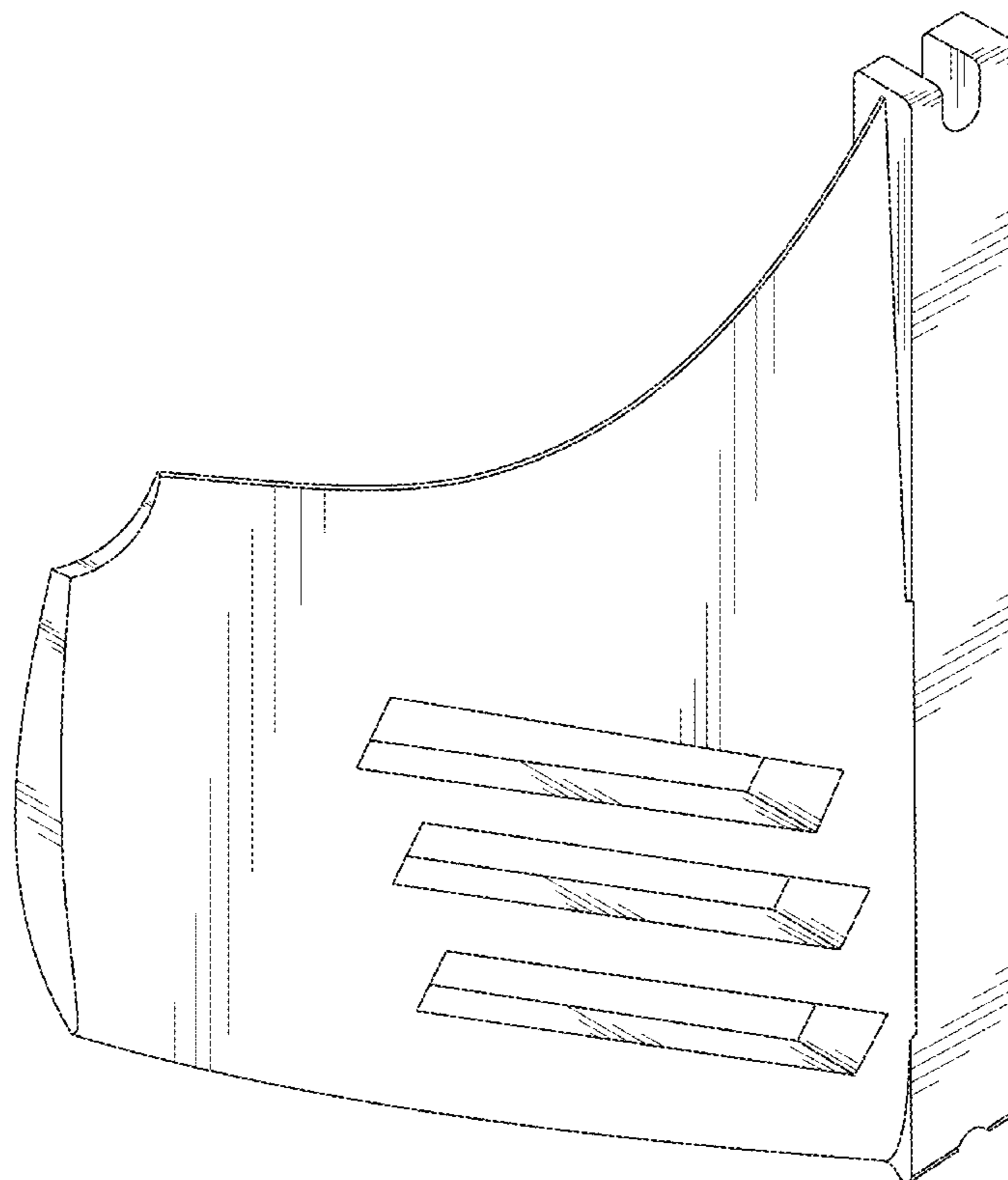
FIG. 1 is a perspective view of the surfboard fin.
FIG. 2 is a first side view thereof;
FIG. 3 is a second side view thereof;
FIG. 4 is rear side view thereof;
FIG. 5 is a front side view thereof;
FIG. 6 is a top plan view thereof; and,
FIG. 7 is a bottom plan view thereof.

1 Claim, 5 Drawing Sheets

(56) **References Cited**

U.S. PATENT DOCUMENTS

- D261,916 S * 11/1981 Knox D21/778
- 4,325,154 A * 4/1982 Collum, Jr. B63B 41/00
441/74
- 4,733,496 A * 3/1988 Wallner B63B 32/66
441/79
- D357,297 S * 4/1995 Newton D21/808



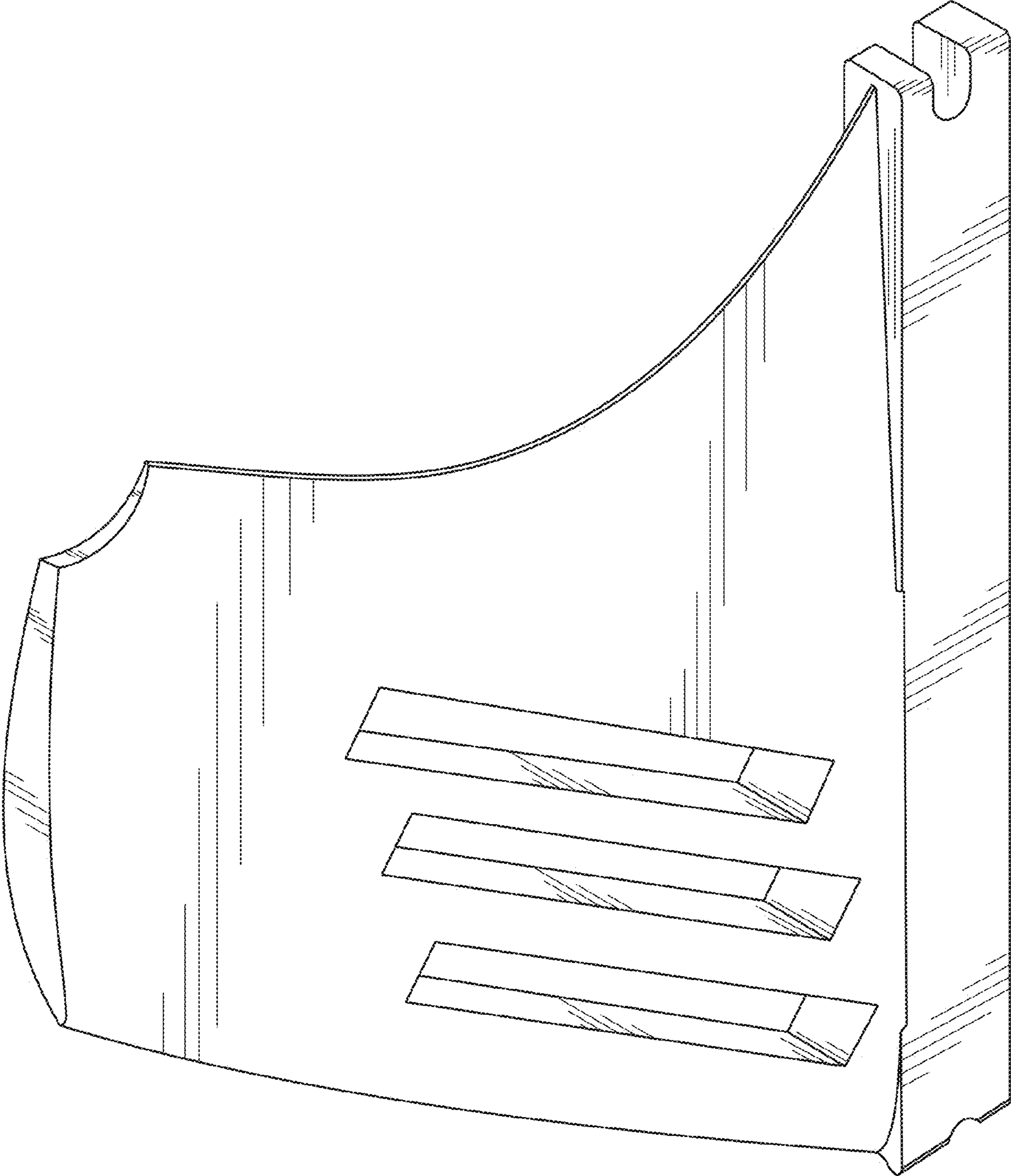


FIG. 1

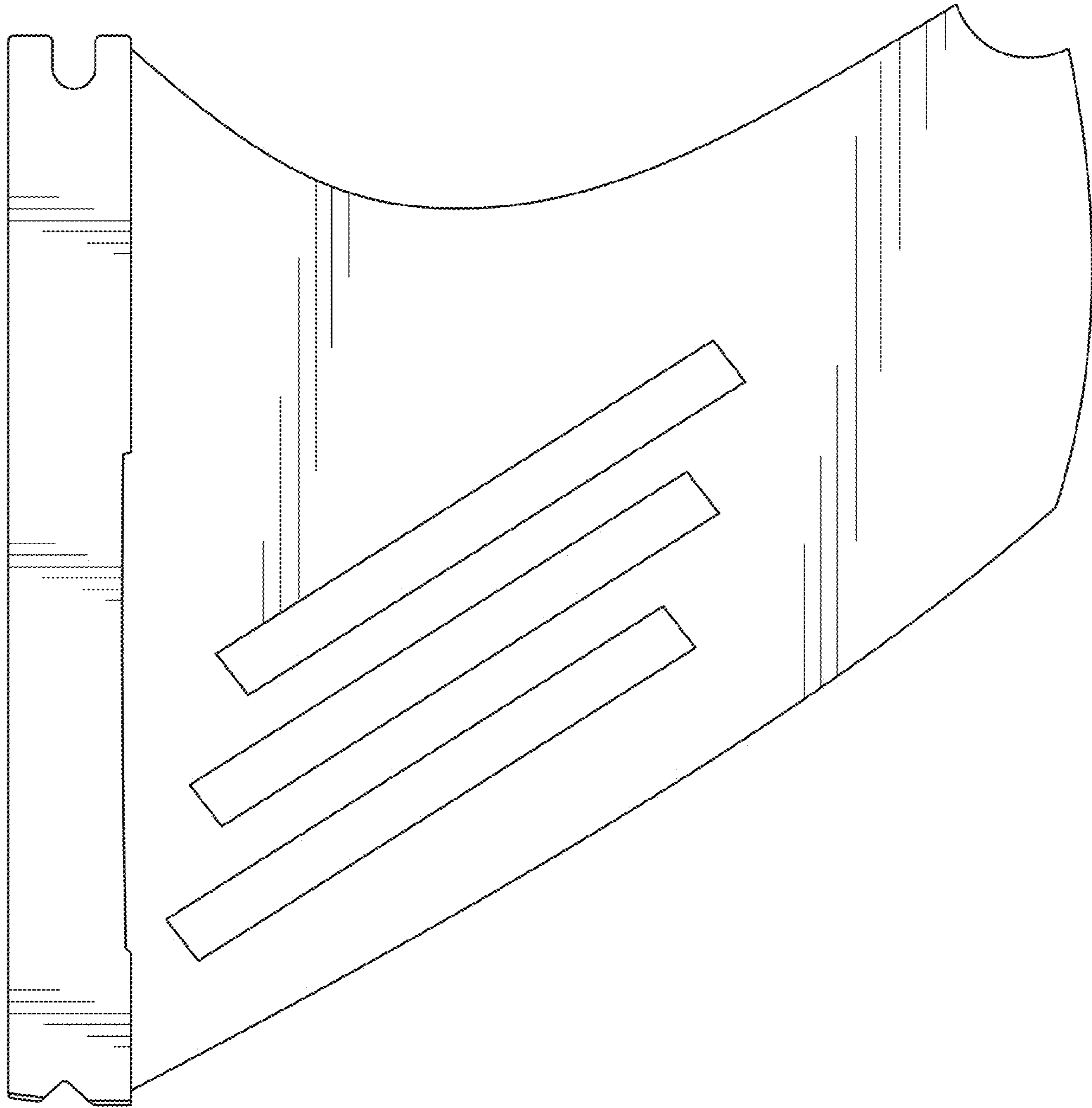


FIG. 2

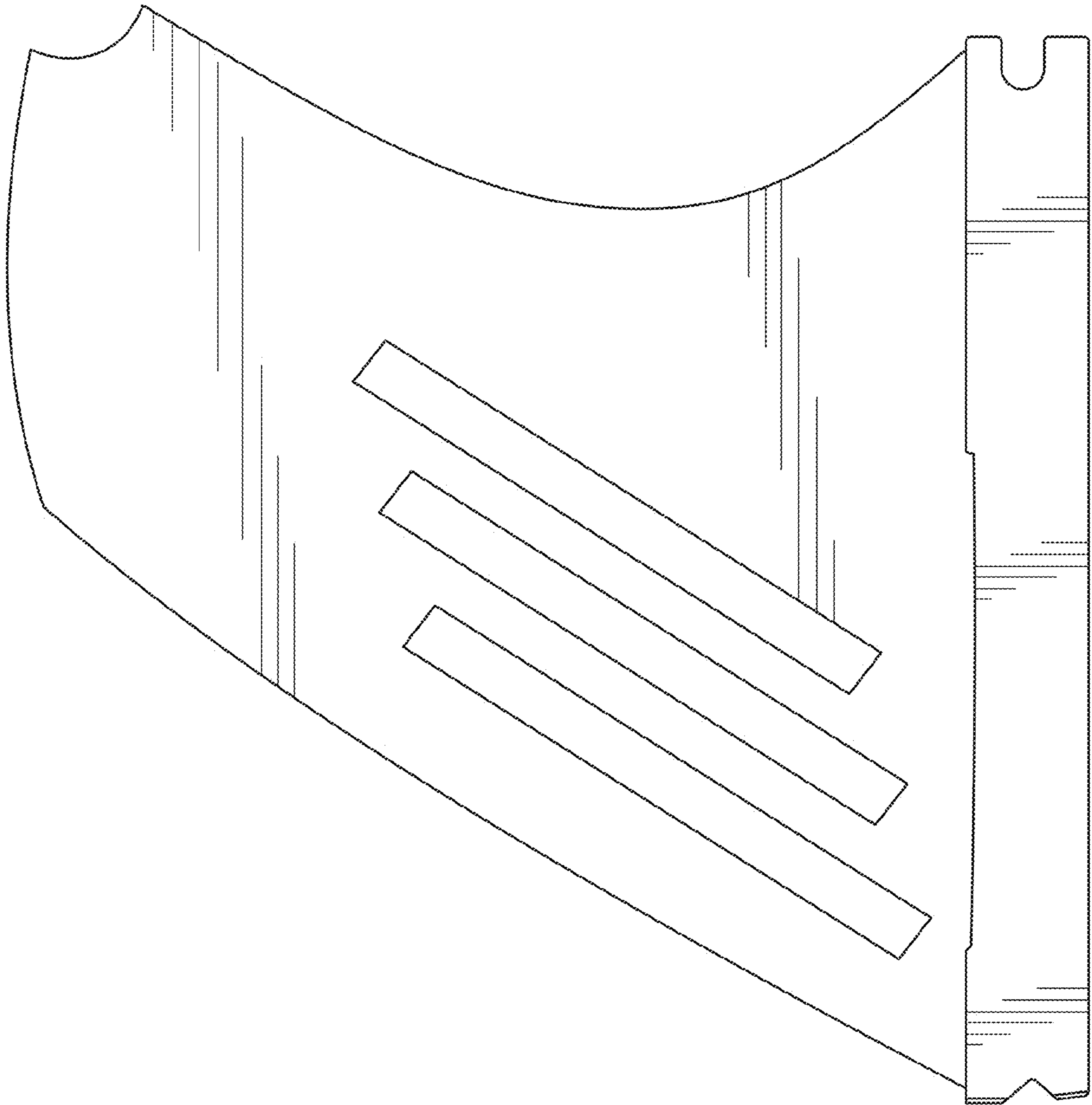


FIG. 3

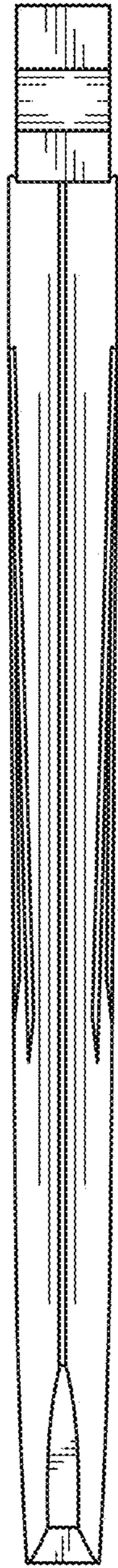


FIG. 4

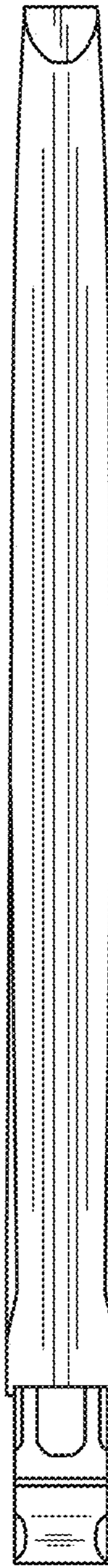


FIG. 5

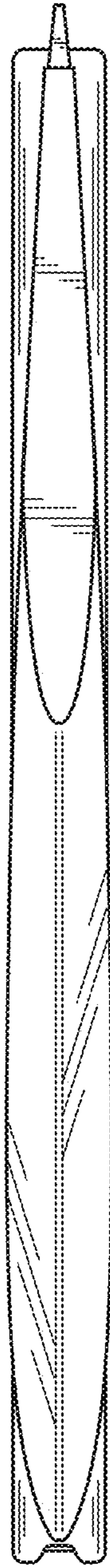


FIG. 6

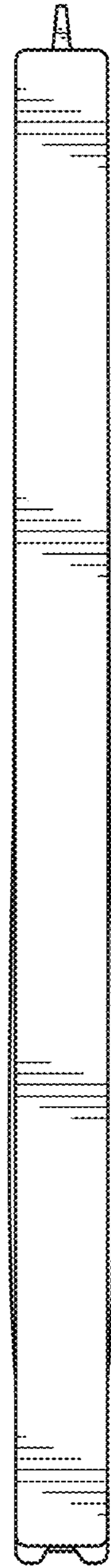


FIG. 7