



US00D949994S

(12) **United States Design Patent** (10) **Patent No.:** **US D949,994 S**  
**Hembert** (45) **Date of Patent:** **\*\* Apr. 26, 2022**

(54) **SPORTS BOARD**

(71) Applicant: **DECATHLON**, Villeneuve d'Ascq (FR)

(72) Inventor: **Grégoire Hembert**, Hendaye (FR)

(73) Assignee: **DECATHLON**, Villeneuve d'Ascq (FR)

(\*\*) Term: **15 Years**

(21) Appl. No.: **29/594,264**

(22) Filed: **Feb. 16, 2017**

(30) **Foreign Application Priority Data**

Aug. 17, 2016 (EM) ..... 003343920-0001  
Aug. 17, 2016 (EM) ..... 003343920-0002

(51) **LOC (13) Cl.** ..... **21-01**

(52) **U.S. Cl.**  
USPC ..... **D21/769**

(58) **Field of Classification Search**  
USPC ..... D21/483, 542, 768-777; D12/300, 302, D12/316  
CPC ..... B63B 35/7926  
See application file for complete search history.

(56) **References Cited**

**U.S. PATENT DOCUMENTS**

D214,535 S \* 6/1969 Diedrich ..... D21/769  
D224,167 S \* 7/1972 Proctor ..... D12/303  
3,965,514 A \* 6/1976 Shafer ..... B63B 35/793  
441/79  
5,127,862 A \* 7/1992 Pia ..... B63B 35/7906  
114/39.14  
D330,747 S \* 11/1992 Pia ..... D12/303  
D334,419 S \* 3/1993 Klein ..... D21/769  
D352,689 S \* 11/1994 Niemier ..... D12/300  
D468,791 S \* 1/2003 Greenberg ..... D21/455  
6,572,424 B2 \* 6/2003 Harkrider ..... B63C 11/49  
114/66  
D484,560 S \* 12/2003 Lin ..... D21/809

(Continued)

**OTHER PUBLICATIONS**

Film Stand up Paddle Gonflable De Randonnee Reguliere, Course, Trek By Itiwit: Published Apr. 5, 2017[online], site visited Nov. 1, 2019. Available from Internet URL: [https://youtu.be/pVNmt\\_dGiGc](https://youtu.be/pVNmt_dGiGc) (Year: 2017).\*

(Continued)

*Primary Examiner* — Michael C Stout

*Assistant Examiner* — Melvin L Davis

(74) *Attorney, Agent, or Firm* — Fross Zelnick Lehrman & Zissu PC; Charles T. J. Weigell, Esq.

(57) **CLAIM**

The ornamental design for a sports board, as shown and described.

**DESCRIPTION**

The patent or application file contains at least one drawing/photograph executed in color. Copies of this patent with color drawing(s)/photograph(s) will be provided by the Office upon request and payment of the necessary fee.

FIG. 1 is a front perspective view of a sports board showing my new design;

FIG. 2 is a front view thereof;

FIG. 3 is a back view thereof

FIG. 4 is a left side view thereof;

FIG. 5 is a right side view thereof

FIG. 6 is a top view thereof;

FIG. 7 is a bottom view thereof;

FIG. 8 is a front perspective view of the sports board shown in FIG. 1, with red color portions;

FIG. 9 is a front view thereof;

FIG. 10 is a back view thereof

FIG. 11 is a left side view thereof;

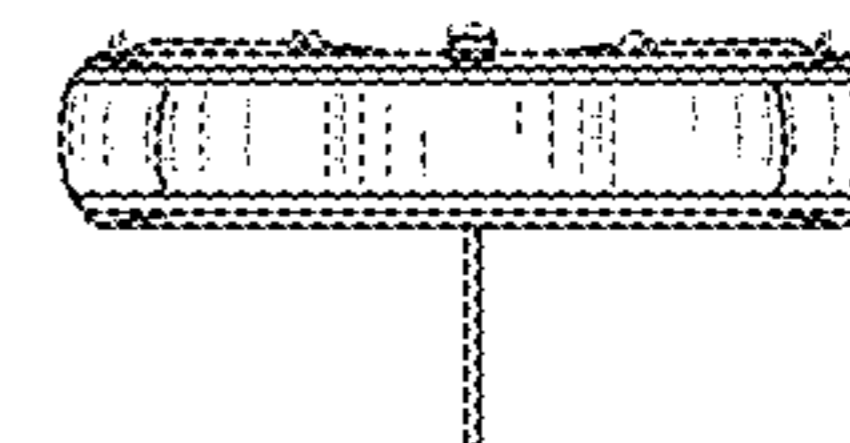
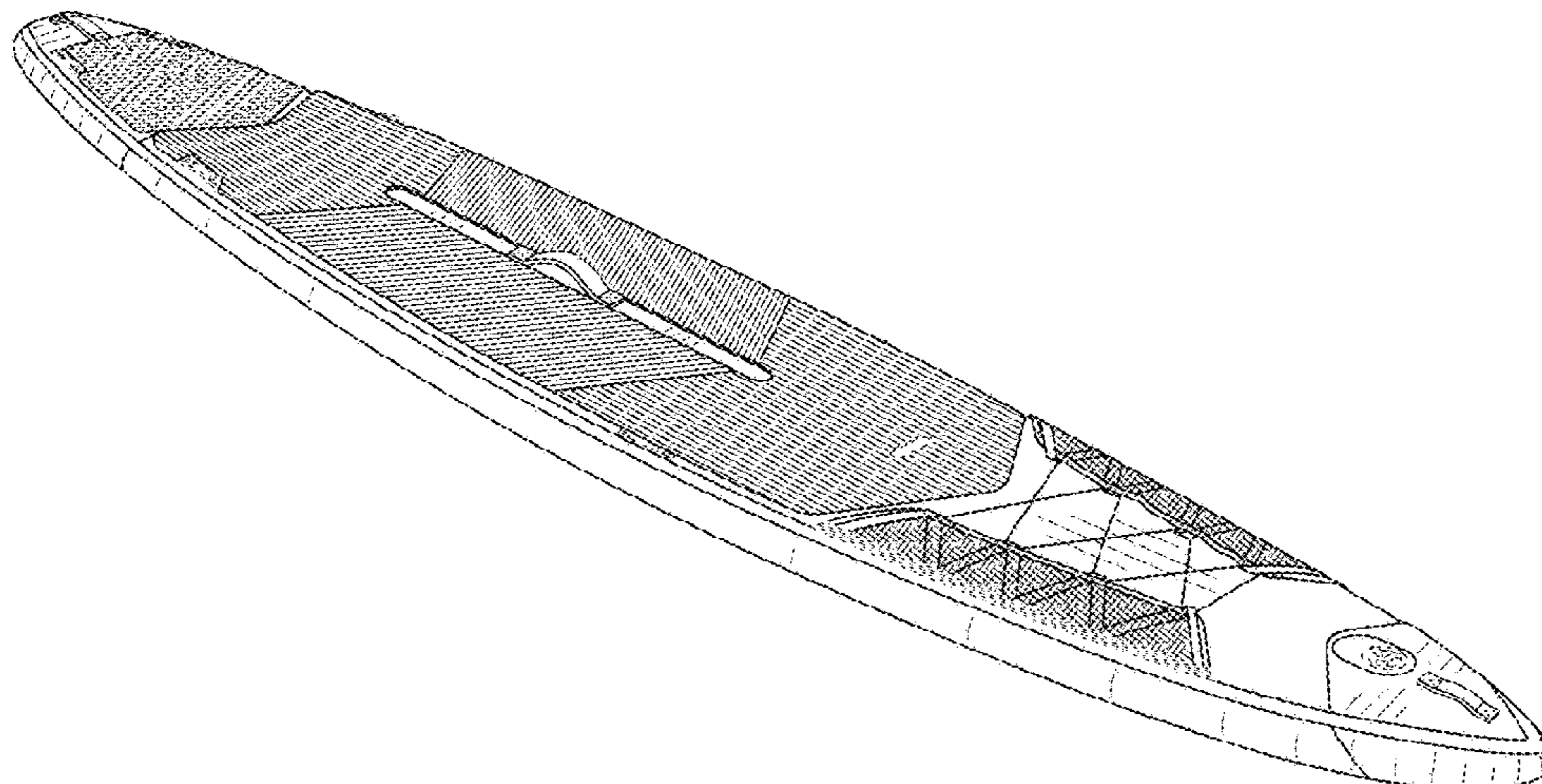
FIG. 12 is a right side view thereof;

FIG. 13 is a top view thereof; and,

FIG. 14 is a bottom view thereof.

The broken line showing of the straps and portions of the sports board in the drawings shows unclaimed subject matter.

**1 Claim, 6 Drawing Sheets**  
**(3 of 6 Drawing Sheet(s) Filed in Color)**



(56)

**References Cited**

U.S. PATENT DOCUMENTS

6,656,005 B2 \* 12/2003 Meyerhoffer ..... B63B 35/7906  
441/65  
D515,684 S \* 2/2006 Latone ..... D23/366  
7,121,911 B1 \* 10/2006 Hickman ..... B63B 35/793  
441/79  
D634,805 S \* 3/2011 Cushing ..... D21/769  
D684,232 S \* 6/2013 Vercelli ..... D21/769  
D709,577 S \* 7/2014 Willey ..... D21/769  
D816,179 S \* 4/2018 de Grasse ..... D21/803  
D827,748 S \* 9/2018 Desberg ..... D21/765  
D834,668 S \* 11/2018 Duff ..... D21/769  
D839,982 S \* 2/2019 Berenson ..... D21/803  
D847,927 S \* 5/2019 Duff ..... D21/769  
D865,889 S \* 11/2019 Spear, Jr. .... D21/760  
10,850,816 B2 \* 12/2020 Schmidt ..... B63B 32/57  
2006/0049595 A1 \* 3/2006 Crigler ..... A63C 17/014  
280/87.042  
2015/0111448 A1 \* 4/2015 McLelan ..... B63B 32/00  
441/74

OTHER PUBLICATIONS

COSTWAY Inflatable Stand Up Paddle Board: Published May 28, 2017 [online], site visited Feb. 3, 2020. Available from Internet URL: [https://www.amazon.co.uk/dp/B072M7BRFC/ref=cm\\_sw\\_r\\_tw\\_dp\\_U\\_x\\_0MgoEbJHKP54Z](https://www.amazon.co.uk/dp/B072M7BRFC/ref=cm_sw_r_tw_dp_U_x_0MgoEbJHKP54Z) (Year: 2017).\*

\* cited by examiner



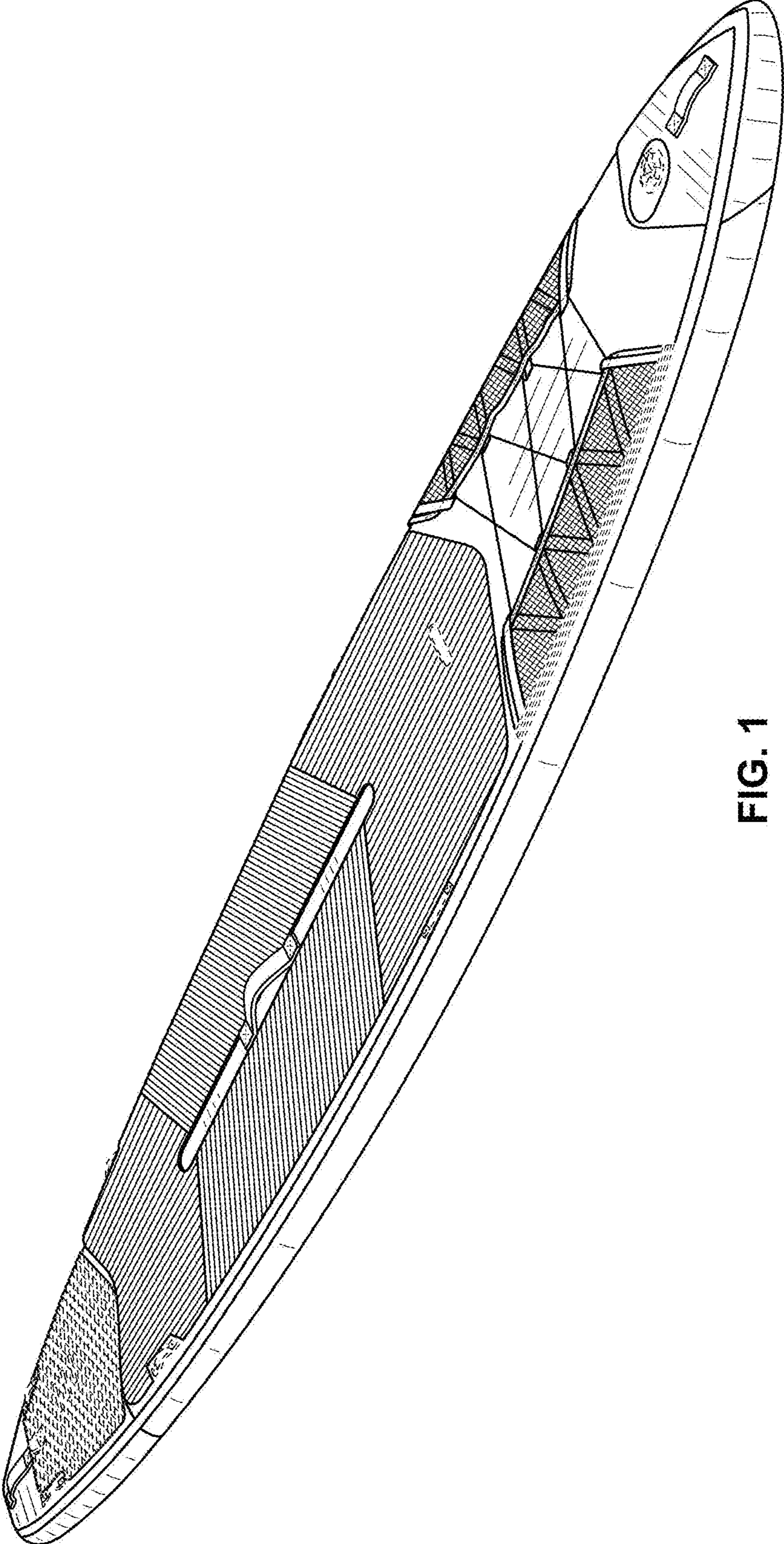


FIG. 1

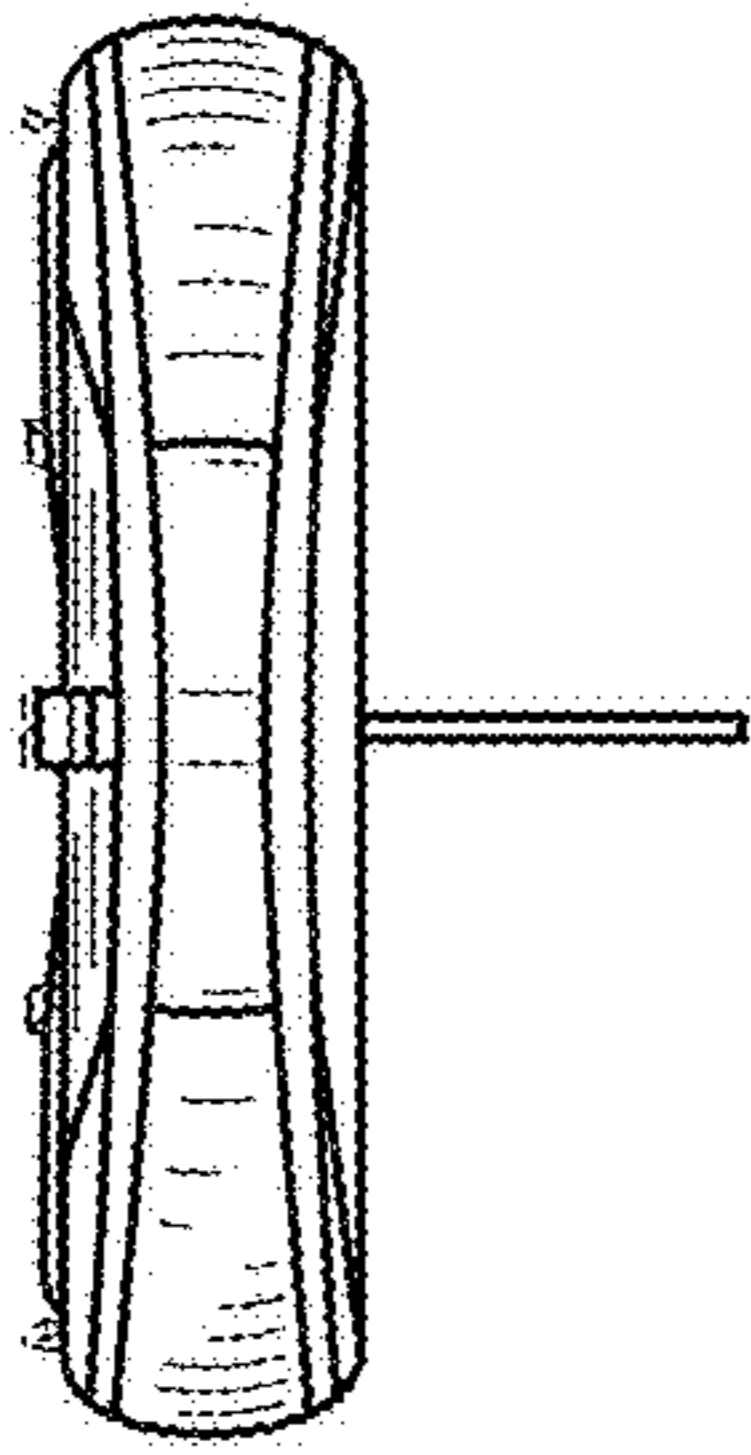


FIG. 2

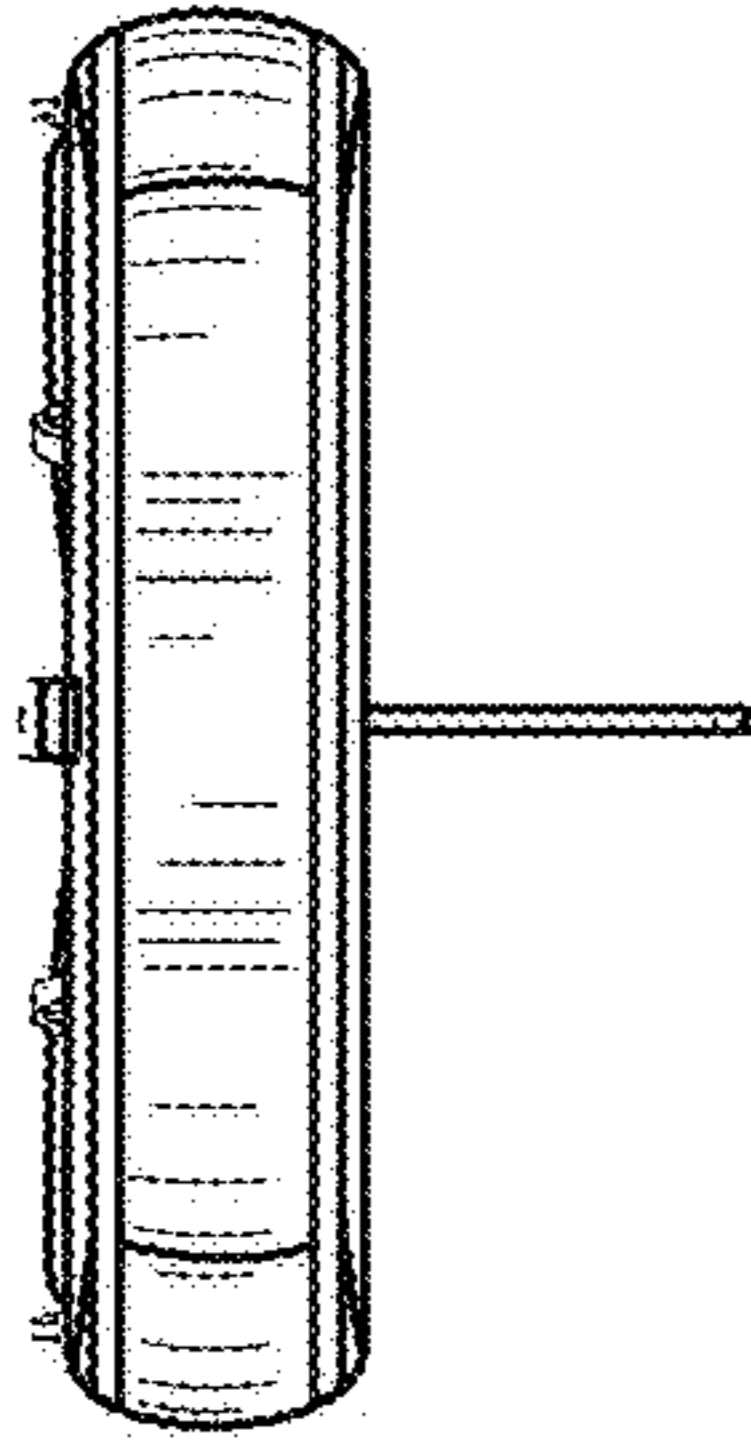


FIG. 3

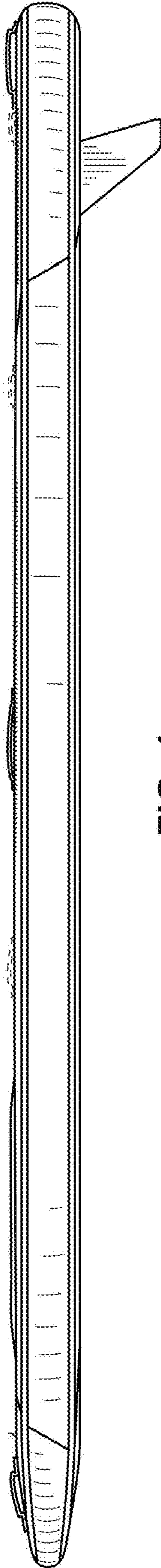


FIG. 4

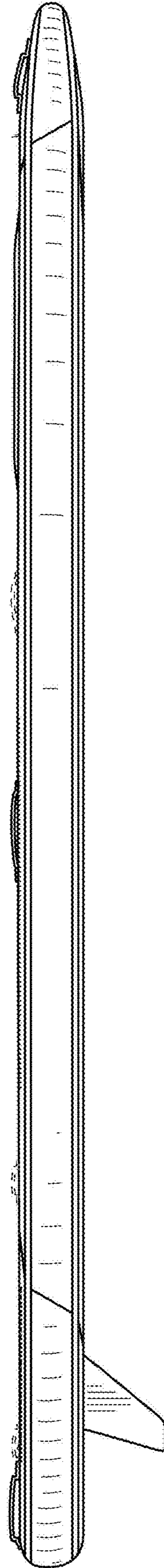


FIG. 5



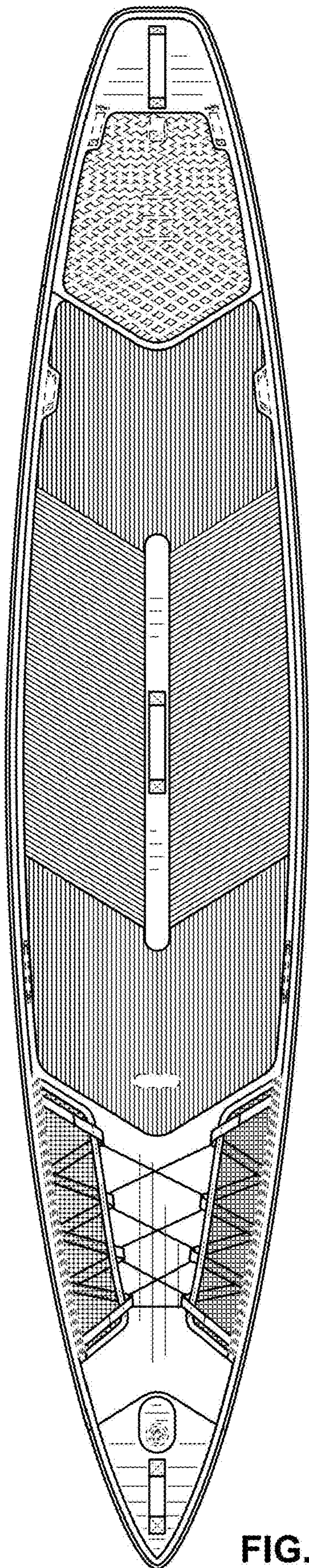


FIG. 6

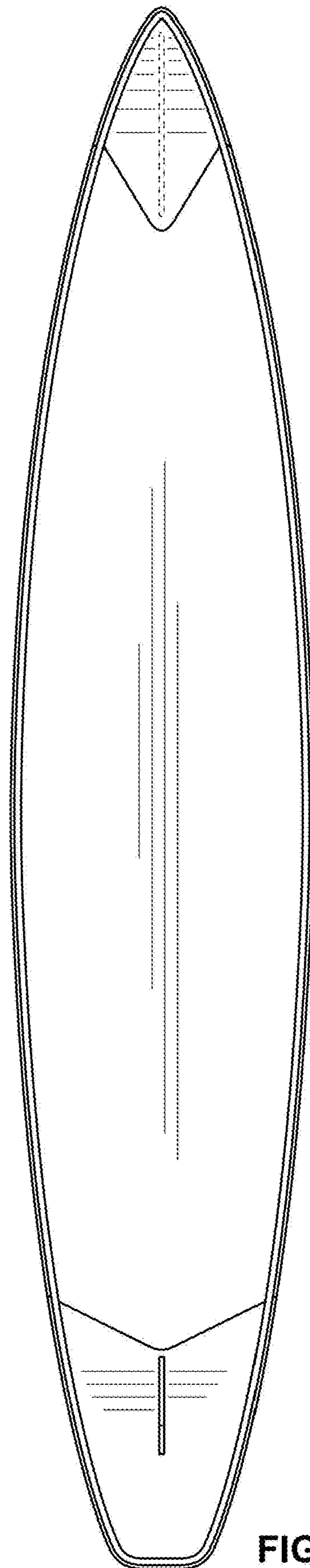


FIG. 7



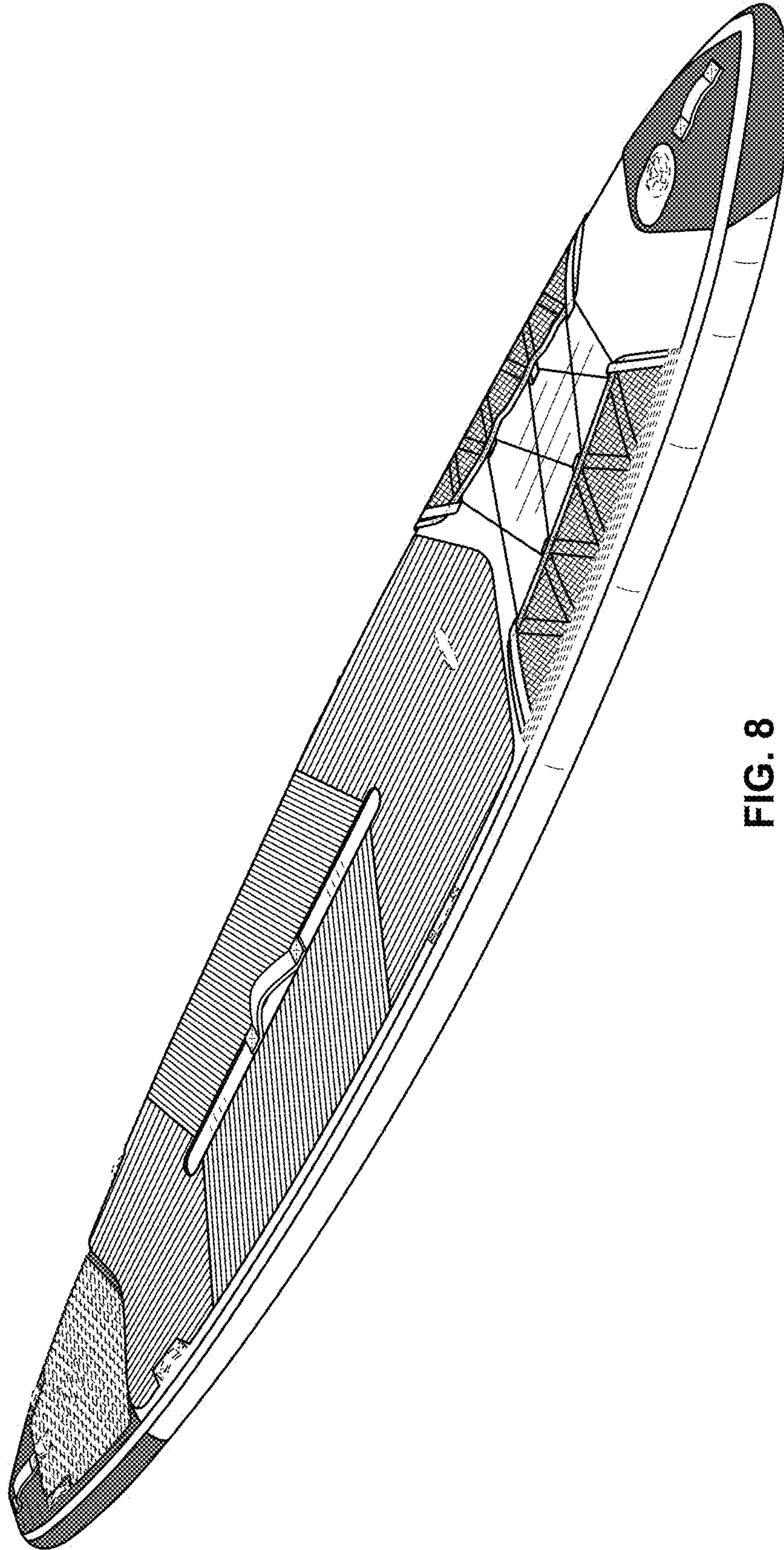


FIG. 8

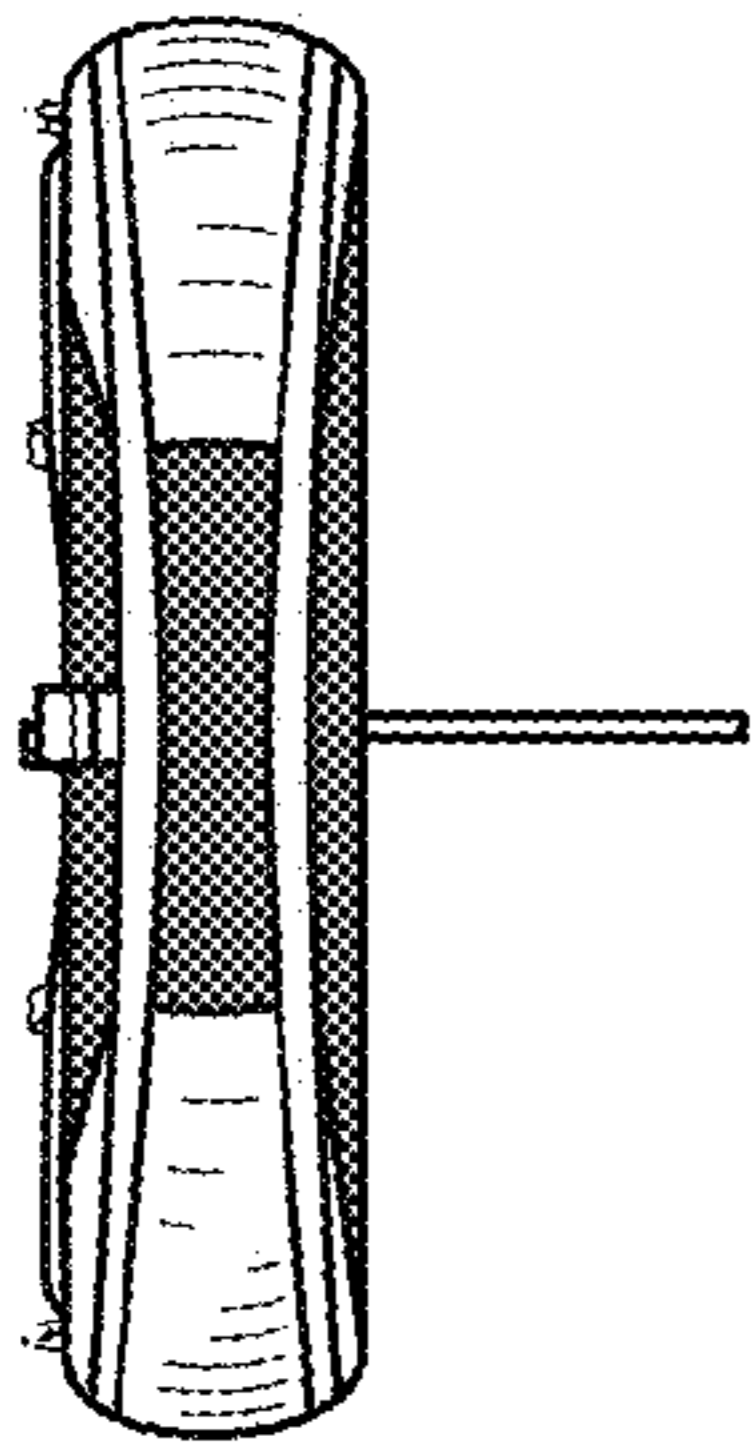


FIG. 9

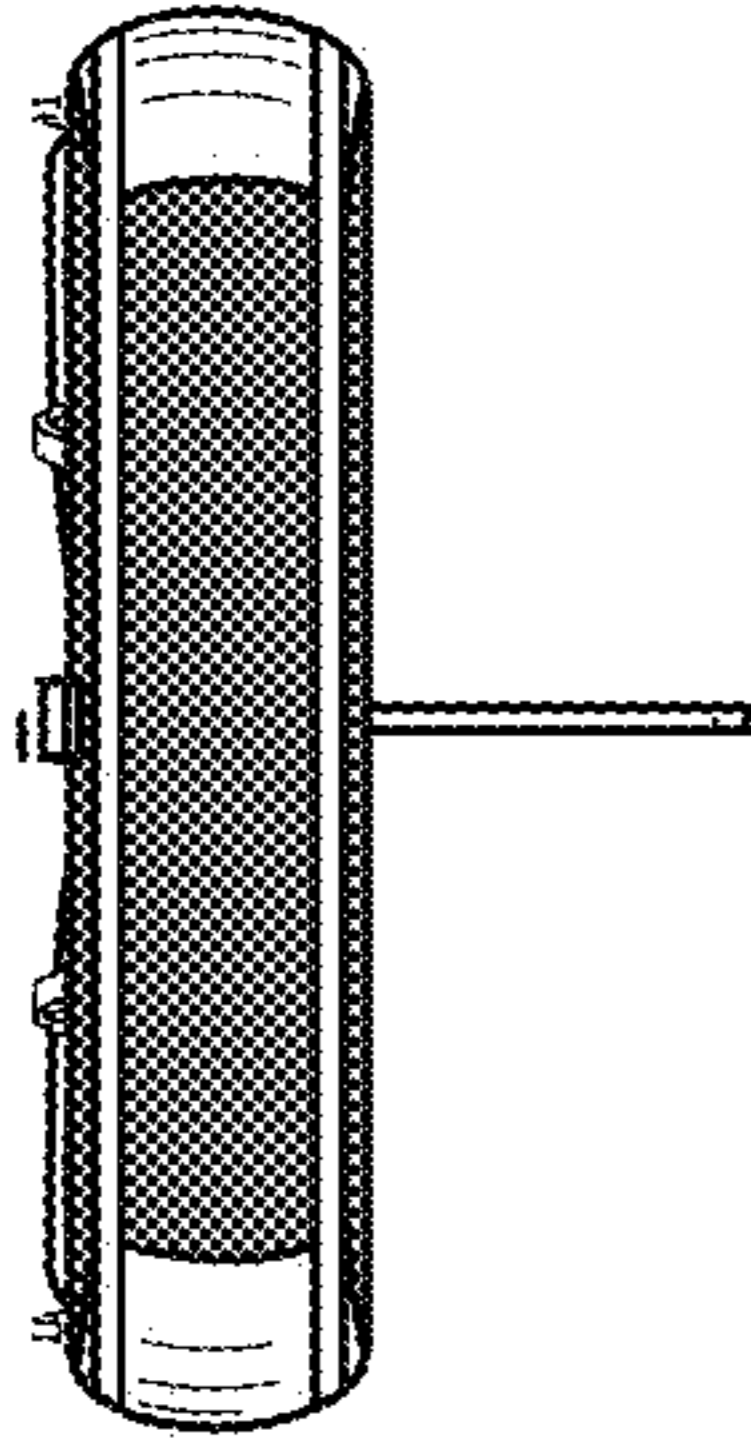


FIG. 10

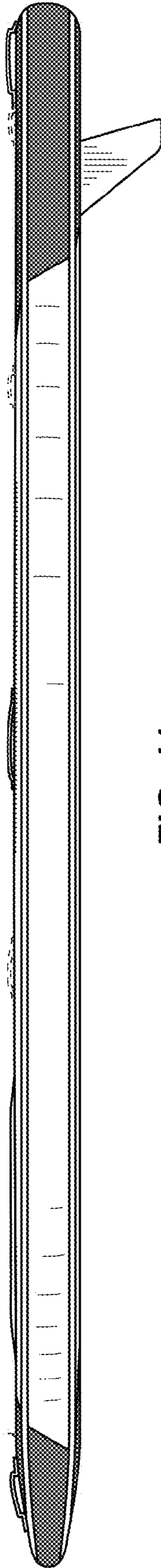


FIG. 11

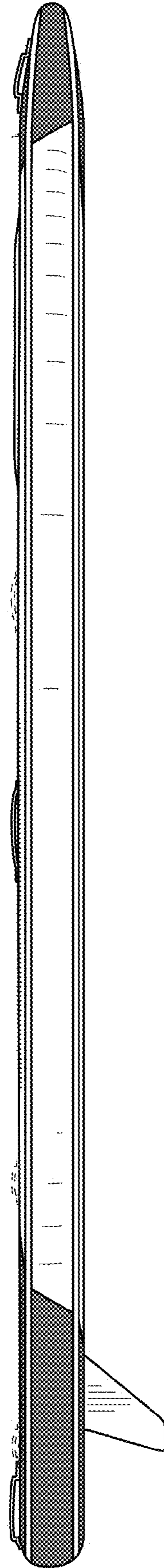


FIG. 12



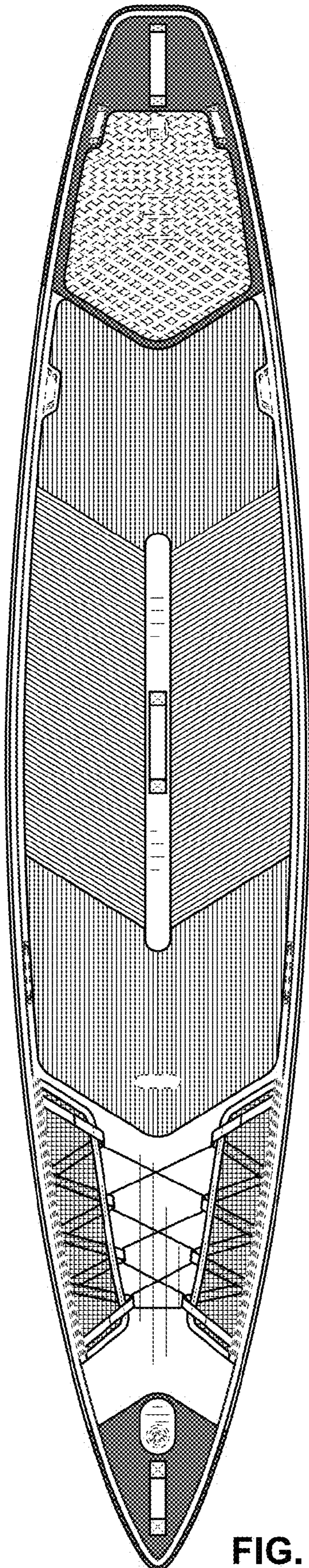


FIG. 13

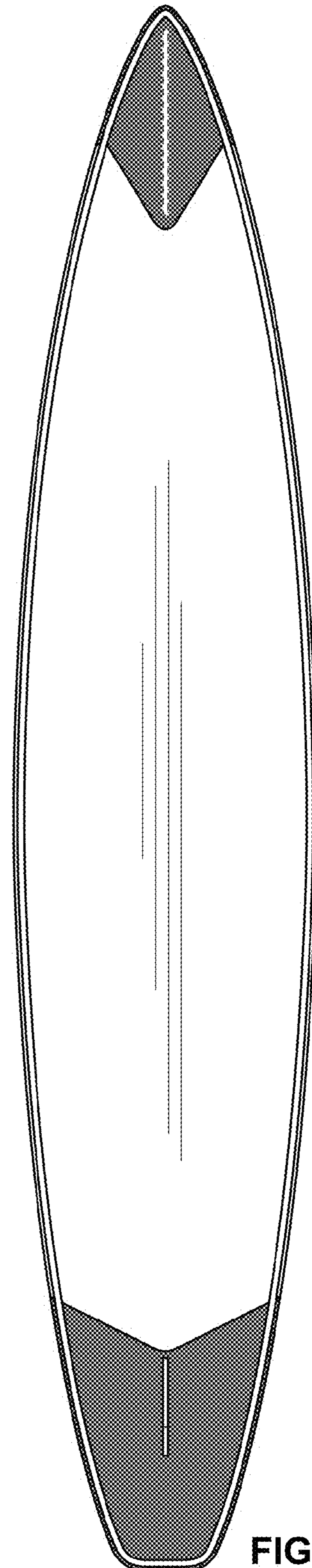


FIG. 14