



US00D949989S

(12) **United States Design Patent**
Jones et al.

(10) **Patent No.:** **US D949,989 S**

(45) **Date of Patent:** **** Apr. 26, 2022**

(54) **ATTACHMENT POST**

(71) Applicant: **Coulter Ventures, LLC.**, Columbus, OH (US)

(72) Inventors: **Ahmik Jones**, Upper Arlington, OH (US); **William Henniger**, Columbus, OH (US); **Emmanuel Sergakis**, Plain City, OH (US)

(73) Assignee: **Coulter Ventures, LLC.**, Columbus, OH (US)

(**) Term: **15 Years**

(21) Appl. No.: **29/744,118**

(22) Filed: **Jul. 27, 2020**

Related U.S. Application Data

(63) Continuation of application No. 29/667,364, filed on Oct. 19, 2018, now Pat. No. Des. 891,545.

(51) **LOC (13) Cl.** **21-02**

(52) **U.S. Cl.**
USPC **D21/694**

(58) **Field of Classification Search**
USPC D21/662, 679, 680, 681, 684, 691, 694;
D22/108; D8/399
CPC A63B 21/072; A63B 21/0724; A63B 21/0726; A63B 21/063; A63B 21/0624; A63B 21/075; B60D 1/34; B60D 1/60; B65D 1/22
See application file for complete search history.

(56) **References Cited**

U.S. PATENT DOCUMENTS

3,056,226 A 10/1962 Hubbard et al.
D248,114 S 6/1978 Mangiapane
D263,555 S 3/1982 Curtis
D279,495 S 7/1985 Barbeau

D280,433 S 9/1985 Lincir
4,679,788 A 7/1987 Adler
4,681,315 A 7/1987 Yang
4,711,106 A 12/1987 Johnson
D306,886 S 3/1990 Shiek et al.
5,203,753 A 4/1993 Rothhammer
5,391,133 A 2/1995 Ruffa
D358,856 S 5/1995 Boettger, Jr.
D367,902 S 3/1996 Silk

(Continued)

OTHER PUBLICATIONS

Youtube, "Rogue Attachment Post Review", Nov. 8, 2019. <https://www.youtube.com/watch?v=B3gAHfNUbNg>. (Year: 2019).*

(Continued)

Primary Examiner — Michael A Maharajh

(74) *Attorney, Agent, or Firm* — Banner & Witcoff, Ltd.

(57) **CLAIM**

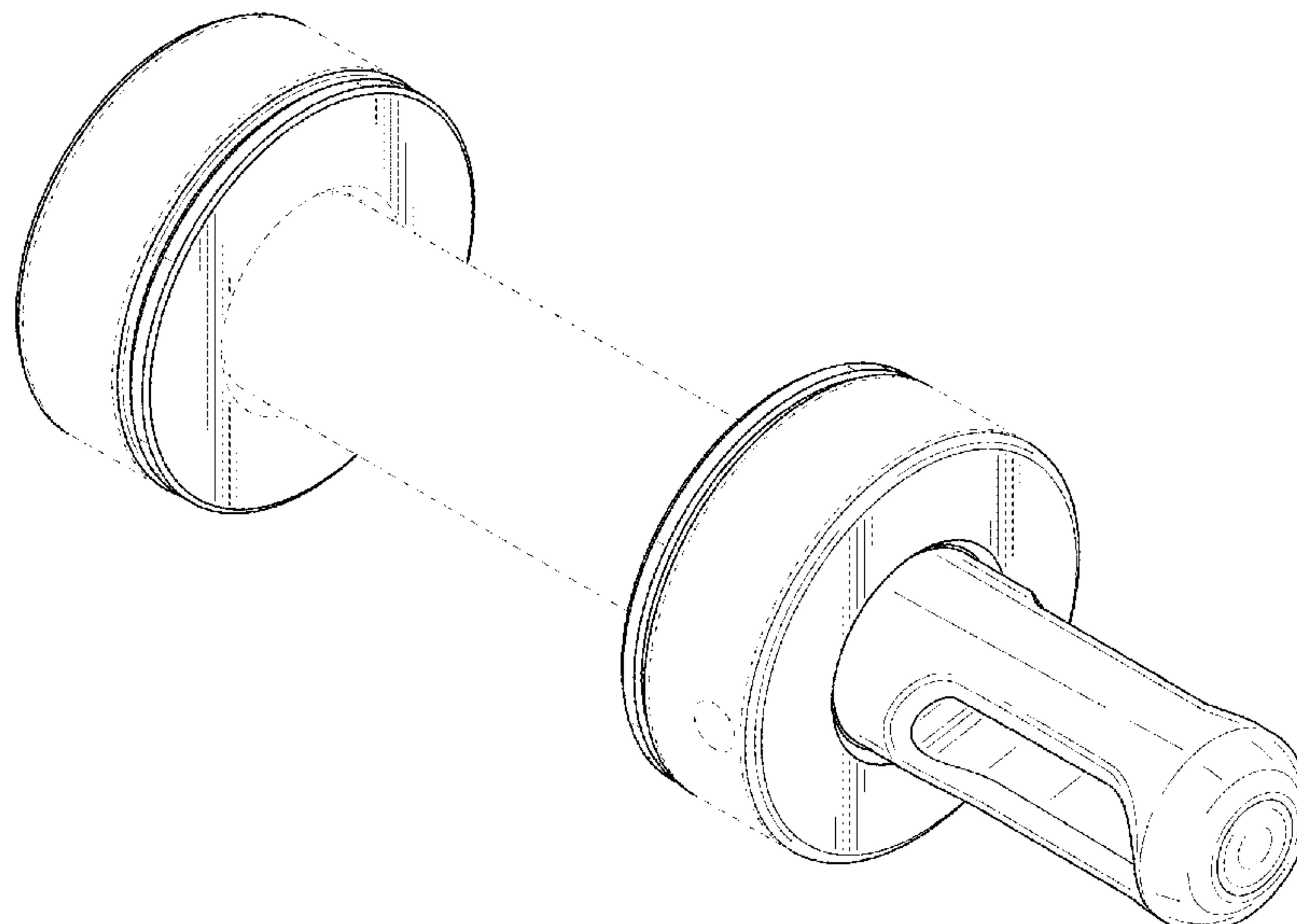
The ornamental design for an attachment post, as shown and described.

DESCRIPTION

FIG. 1 is a top, front, right perspective view of an attachment post showing our new design;
FIG. 2 is a right side view thereof;
FIG. 3 is a left side view thereof;
FIG. 4 is a bottom view thereof;
FIG. 5 is a top view thereof;
FIG. 6 is a front view thereof;
FIG. 7 is a rear view thereof; and,
FIG. 8 is a perspective view of an attachment post shown in a condition of use thereof.

The broken lines shown in the drawings are for the purpose of illustrating portions of the attachment post which form no part of the claimed design. The additional broken lines in FIG. 8 are for the purpose of showing environmental structure, which form no part of the claimed design.

1 Claim, 5 Drawing Sheets



(56)

References Cited

U.S. PATENT DOCUMENTS

5,518,478 A 5/1996 Liang
 5,556,362 A 9/1996 Whipps
 D374,897 S 10/1996 Whisman
 5,692,981 A 12/1997 Whisman
 D401,649 S 11/1998 Bellehumeur
 5,839,977 A 11/1998 Maurer et al.
 5,997,597 A 12/1999 Hagan
 D421,762 S 3/2000 Shirley et al.
 6,059,700 A 5/2000 Eilenburg
 D428,795 S 8/2000 Wyers
 D431,114 S 9/2000 Smith et al.
 6,123,651 A 9/2000 Ellenburg
 6,132,345 A 10/2000 Beierschmitt et al.
 D444,050 S 6/2001 Wyers
 D447,043 S 8/2001 Wyers
 6,412,315 B1 7/2002 Cheng et al.
 D461,392 S 8/2002 Zapushek
 D464,094 S 10/2002 Fond
 6,602,169 B1 8/2003 Patti
 6,689,022 B1 2/2004 Emick
 6,722,170 B2 4/2004 Squier
 D493,518 S 7/2004 McAllister et al.
 D496,414 S 9/2004 Harms et al.
 6,862,905 B2 3/2005 Zapushek
 D504,923 S 5/2005 Harms et al.
 D519,584 S 4/2006 Brice et al.
 7,048,678 B2 5/2006 Harms et al.
 D561,001 S 2/2008 Rohde et al.
 D561,852 S 2/2008 Frey
 D579,993 S 11/2008 Fairchild et al.
 D581,248 S 11/2008 Wu et al.
 D581,249 S 11/2008 Wu et al.
 7,491,156 B1 2/2009 GaoYong
 D589,779 S 4/2009 Wrase et al.
 D594,311 S 6/2009 Stevens
 D615,605 S 5/2010 Frasco et al.
 7,740,569 B2 6/2010 Patti
 7,775,948 B2 8/2010 Chen
 7,819,786 B1 10/2010 Cao
 8,033,964 B1 10/2011 Chen
 D653,715 S 2/2012 Tumminia
 8,201,844 B1 6/2012 Smoot
 8,210,996 B2 7/2012 Anderson
 8,302,435 B2 11/2012 Burmesch et al.
 8,500,609 B1 * 8/2013 Williams A63B 21/0726
 482/108
 D692,970 S 11/2013 Lien
 D694,091 S 11/2013 Gartner
 D696,723 S 12/2013 Livingstone
 D709,754 S 7/2014 Lylyk et al.
 8,808,151 B1 8/2014 Whaley
 8,876,396 B2 11/2014 Guilford
 D720,201 S 12/2014 Gokcebay et al.
 8,951,169 B1 2/2015 Casper
 9,126,079 B2 9/2015 Jordan
 9,132,315 B1 9/2015 Chen
 D740,897 S 10/2015 Miltner et al.
 D747,640 S 1/2016 Scalisi
 9,314,661 B1 4/2016 Chen
 D758,167 S 6/2016 Gartner
 D758,168 S 6/2016 Gartner
 D770,881 S 11/2016 Gartner
 D777,851 S 1/2017 Simonetti
 D793,205 S 8/2017 Ho et al.
 D795,041 S 8/2017 Oliva Camacho et al.
 D796,298 S 9/2017 Lylyk et al.
 9,874,042 B2 1/2018 Gartner
 D830,811 S 10/2018 Frantz
 D837,031 S 1/2019 Cavanna et al.
 D843,197 S 3/2019 Dempsey et al.
 D843,524 S 3/2019 Henniger
 D846,044 S 4/2019 Peritz
 D857,132 S 8/2019 Dube
 D857,143 S 8/2019 Mateko
 D876,924 S 3/2020 Xie et al.

D884,097 S * 5/2020 Ameri D21/694
 D884,467 S 5/2020 Suen
 D885,864 S 6/2020 Garcia
 D891,147 S 7/2020 Denby et al.
 D891,545 S 7/2020 Jones et al.
 D892,240 S * 8/2020 Sergakis D21/694
 D893,642 S * 8/2020 Henniger D21/694
 D909,176 S * 2/2021 Garcia D8/331
 D923,107 S * 6/2021 Overstreet, Jr. D21/453
 D932,280 S * 10/2021 Garcia D8/331
 2004/0086325 A1 5/2004 Friesen et al.
 2006/0096876 A1 5/2006 Scott
 2007/0243976 A1 10/2007 Cao
 2007/0298940 A1 12/2007 Anderson
 2008/0220952 A1 9/2008 Yang
 2009/0023563 A1 1/2009 Liang
 2009/0239719 A1 9/2009 Patti
 2010/0075816 A1 3/2010 Anderson
 2010/0190618 A1 7/2010 Chen
 2012/0006836 A1 1/2012 Chen
 2013/0040788 A1 2/2013 Booker et al.
 2013/0274077 A1 10/2013 Greenberg et al.
 2013/0288862 A1 10/2013 Lien
 2014/0106943 A1 4/2014 Simonetti
 2014/0274591 A1 9/2014 Miltner et al.
 2015/0016919 A1 1/2015 Tambomino et al.
 2015/0133274 A1 5/2015 Simonetti
 2016/0059062 A1 3/2016 Simonetti
 2016/0082794 A1 3/2016 Mauerman et al.
 2016/0101320 A1 4/2016 Tsutsui et al.
 2016/0228739 A1 8/2016 Wu
 2017/0234706 A1 8/2017 Martin et al.
 2017/0259103 A1 9/2017 Simonetti
 2018/0272175 A1 9/2018 Henniger
 2018/0296870 A1 10/2018 Gangemi et al.
 2019/0038927 A1 2/2019 Wilhelm et al.
 2019/0184256 A1 6/2019 Mainini et al.
 2019/0247701 A1 8/2019 Sergakis et al.
 2019/0275363 A1 9/2019 Jones et al.
 2019/0388723 A1 * 12/2019 Nalley A63B 21/0604
 2020/0023698 A1 1/2020 Tsai
 2020/0047020 A1 2/2020 Harms
 2020/0121973 A1 * 4/2020 Jones A63B 21/0726

OTHER PUBLICATIONS

Roguefitness, "Rogue Monster Attachment Post", Nov. 1, 2021.
<https://www.roguefitness.com/rogue-monster-attachment-post>. Shown
 on p. 1. (Year: 2021).
 Product listing for Rogue Monster Plate Storage Pin from <https://web.archive.org/web/20170423182638/http://www.roguefitness.com/rogue-monster-plate-storage-pin>, dated Apr. 23, 2017.
 Photos of Rogue Monster Plate Storage Pin from <https://web.archive.org/web/20170423182638/http://www.roguefitness.com/rogue-monster-plate-storage-pin>, dated Apr. 23, 2017.
 Product photo posted at <https://www.facebook.com/roguefitness/photos/a.128475269459/10157445836814460/?type=3&theater>, dated Sep. 28, 2018.
 Product photo posted at <https://www.facebook.com/roguefitness/photos/a.128475269459/10157445836759460/?type=3&theater>, dated Sep. 28, 2018.
 Product listing from <https://www.roguefitness.com/rogue-monster-keyhole-keyless-plate-storage-pin>, product disclosed prior to Oct. 19, 2018, but not on or prior to Oct. 19, 2017.
 GlideRite 1½" Knurled Knob, wayfair.com, <https://www.wayfair.com/home-improvement/pdp/gliderite-hardware-1-12-diameter-round-knob-hbty1266.html?piid=44148283> (Year: 2020).
 Carrlane Adjustable Torque Knobs, Knurled Knobs and Screw Clamps, apexindustrialsupply.com, <https://apexindustrialsupply.com/carrlane-adjustable-torque-knob-cl-5-atk/> (Year: 2020).
 PlankHardware Knurled Knob, etsy.com, https://www.etsy.com/listing/699993765/large-knurled-button-cabinet-knobs?ga_order=most_relevant&ga_search_type=all&ga_search_query=knurling&ref=sr_gallery-1-5&col=1 (Year: 2020).

(56)

References Cited

OTHER PUBLICATIONS

Product Listing for Amazon RIGERS T-Bar from: <https://us.amazon.com/RIGERS-T-Bar-Landmine-Power-Attachment/dp/B07CQQH9HB>, dated Apr. 28, 2018. (Year: 2018).

* cited by examiner

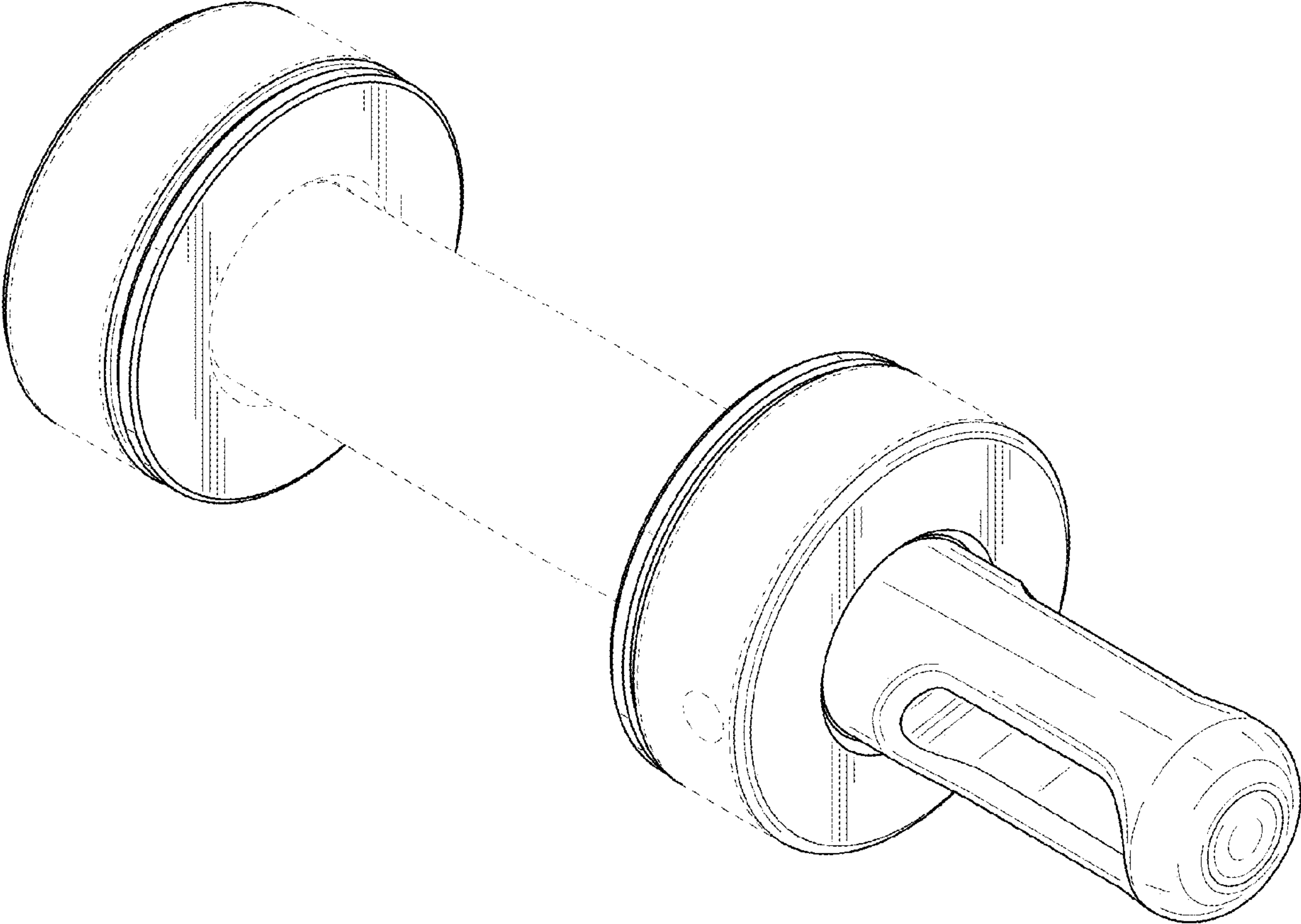


FIG. 1

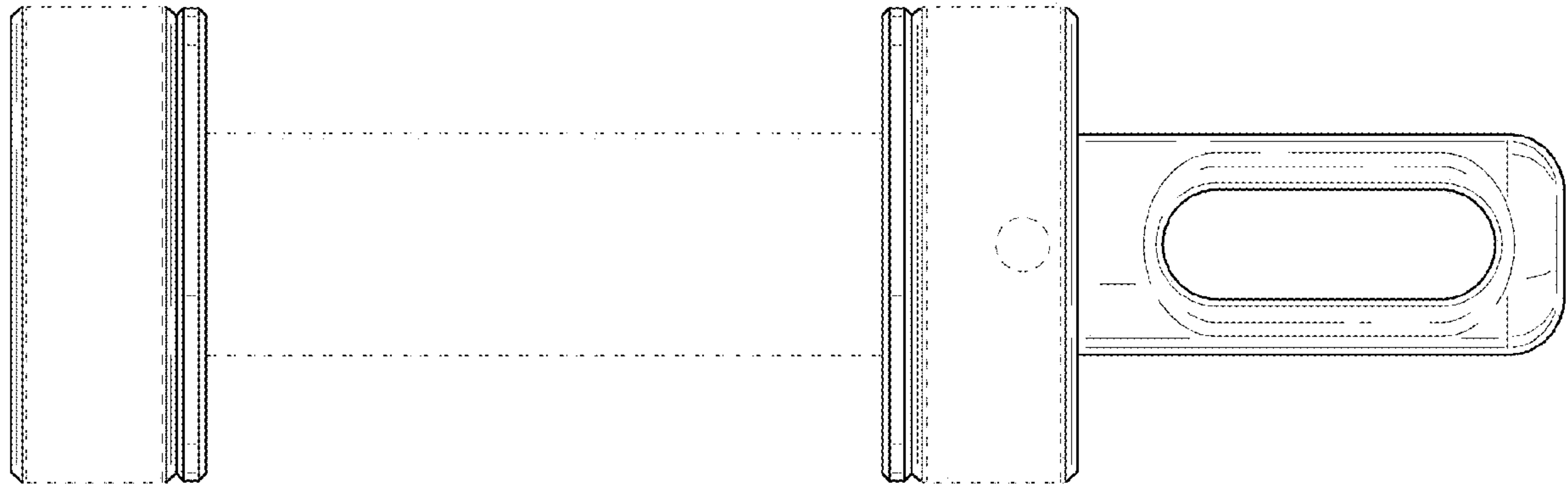


FIG. 2

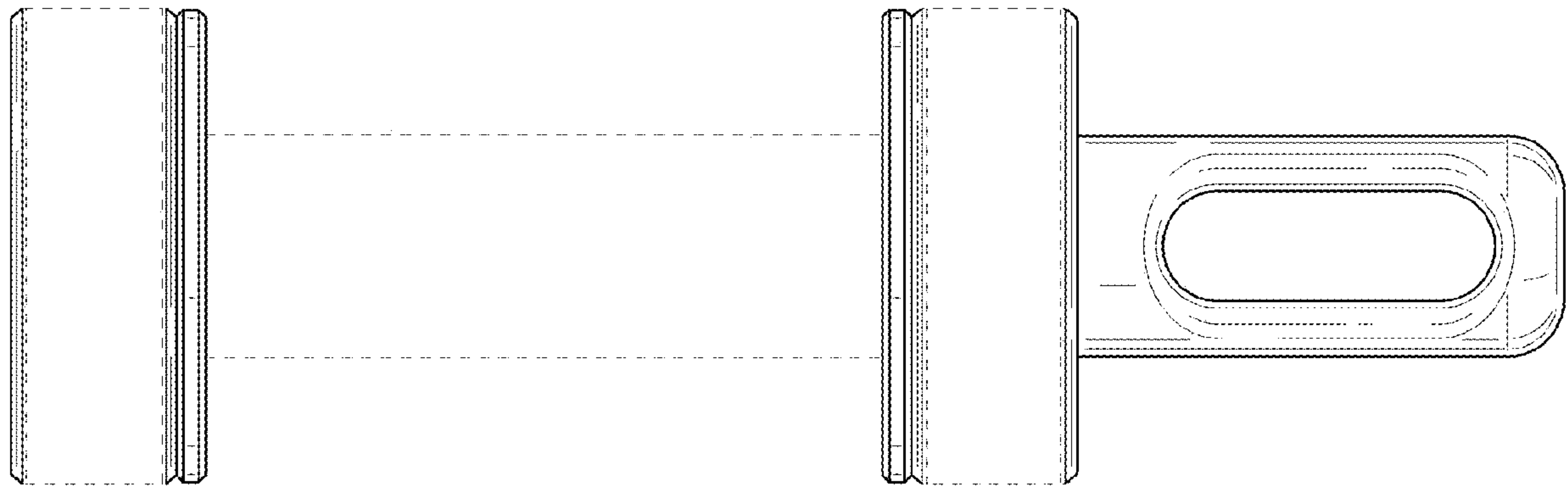


FIG. 3

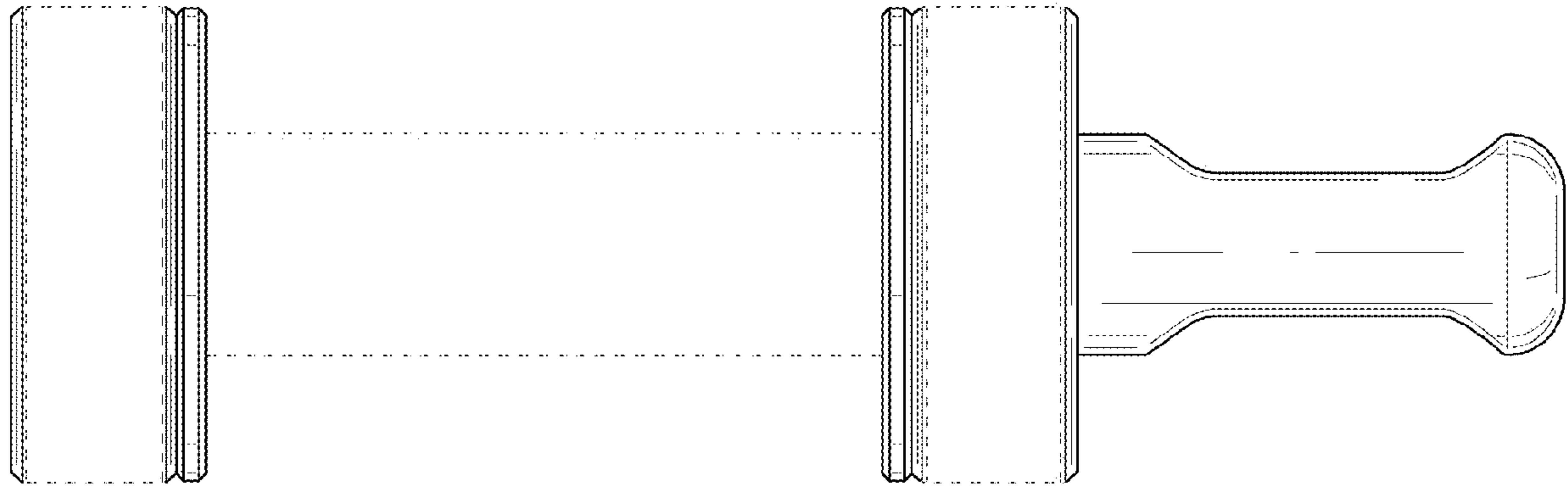


FIG. 4

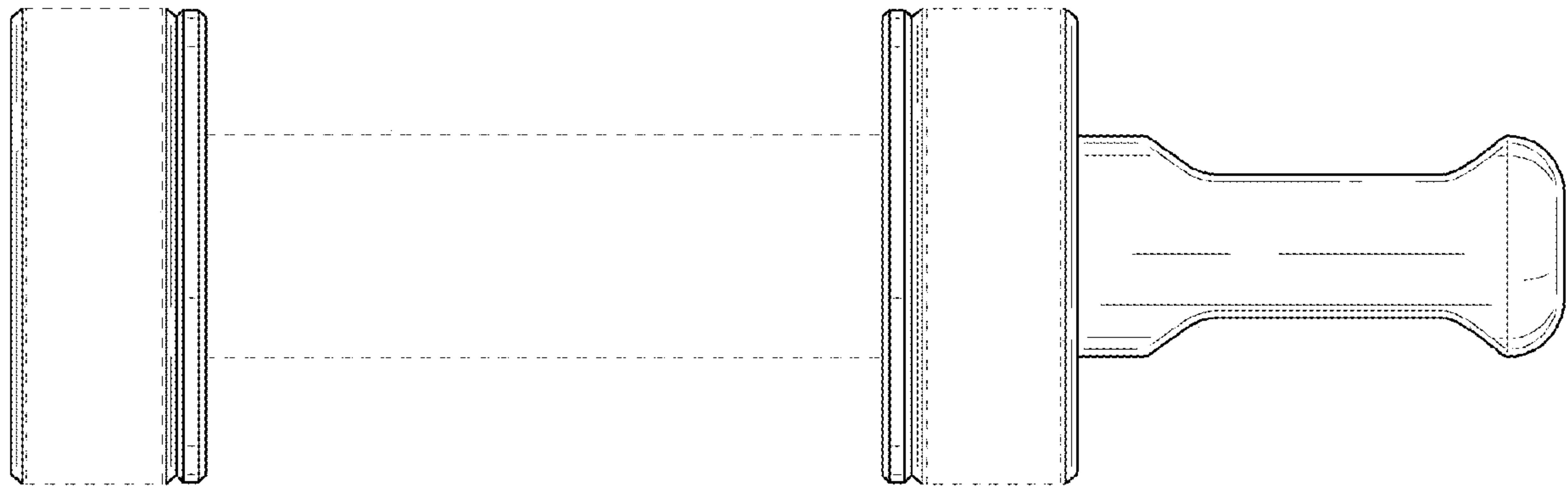


FIG. 5

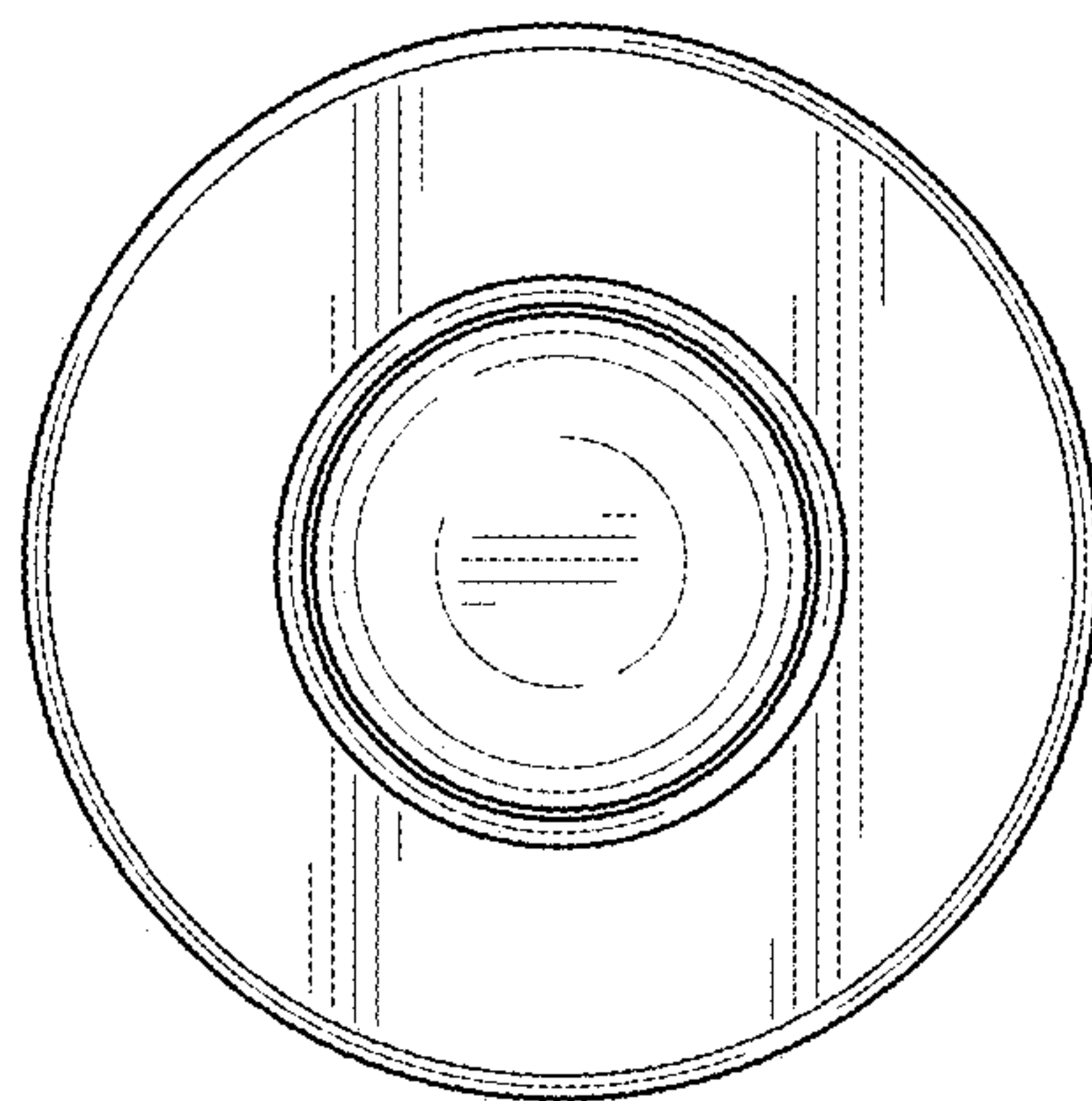


FIG. 6

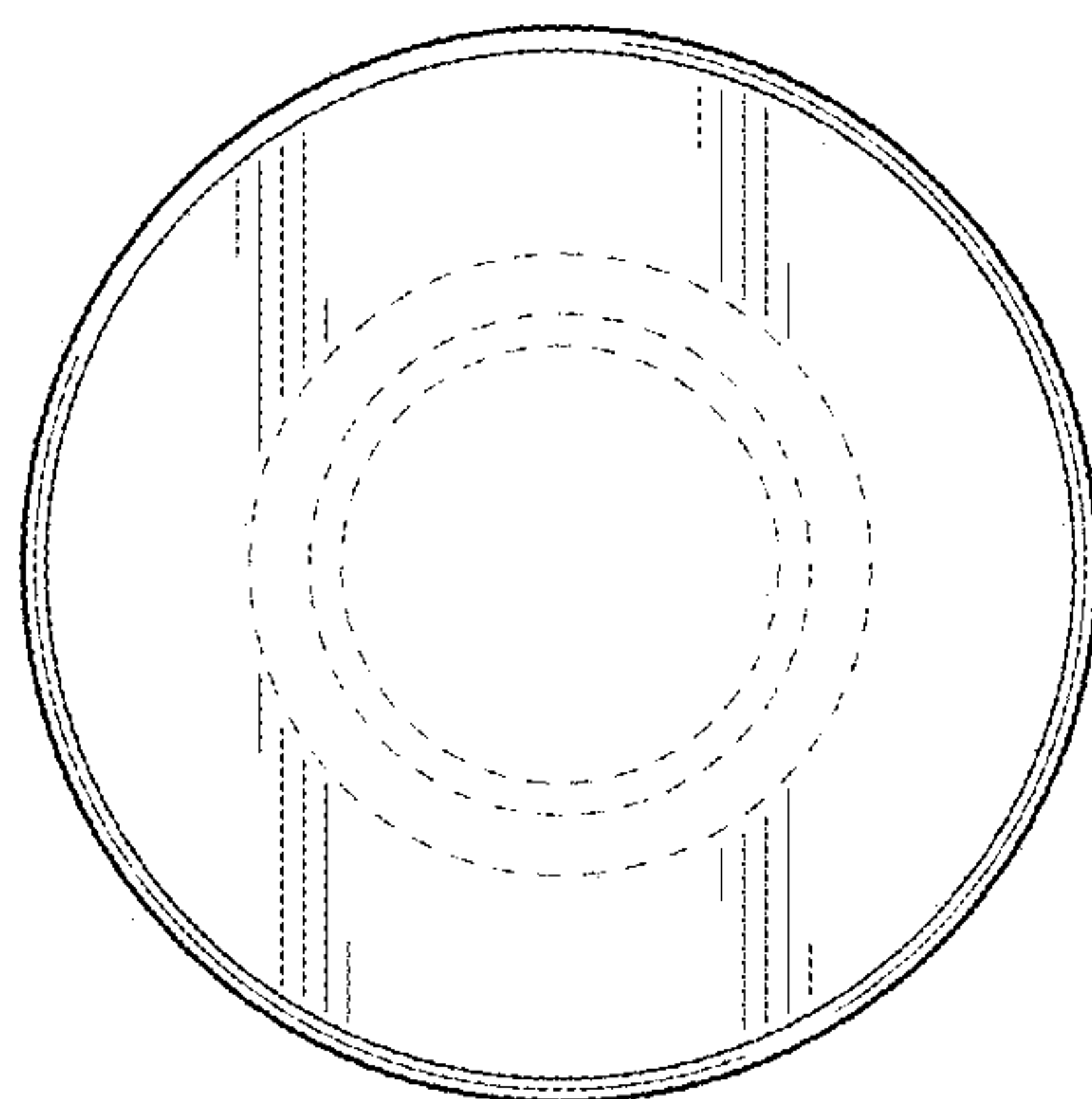


FIG. 7

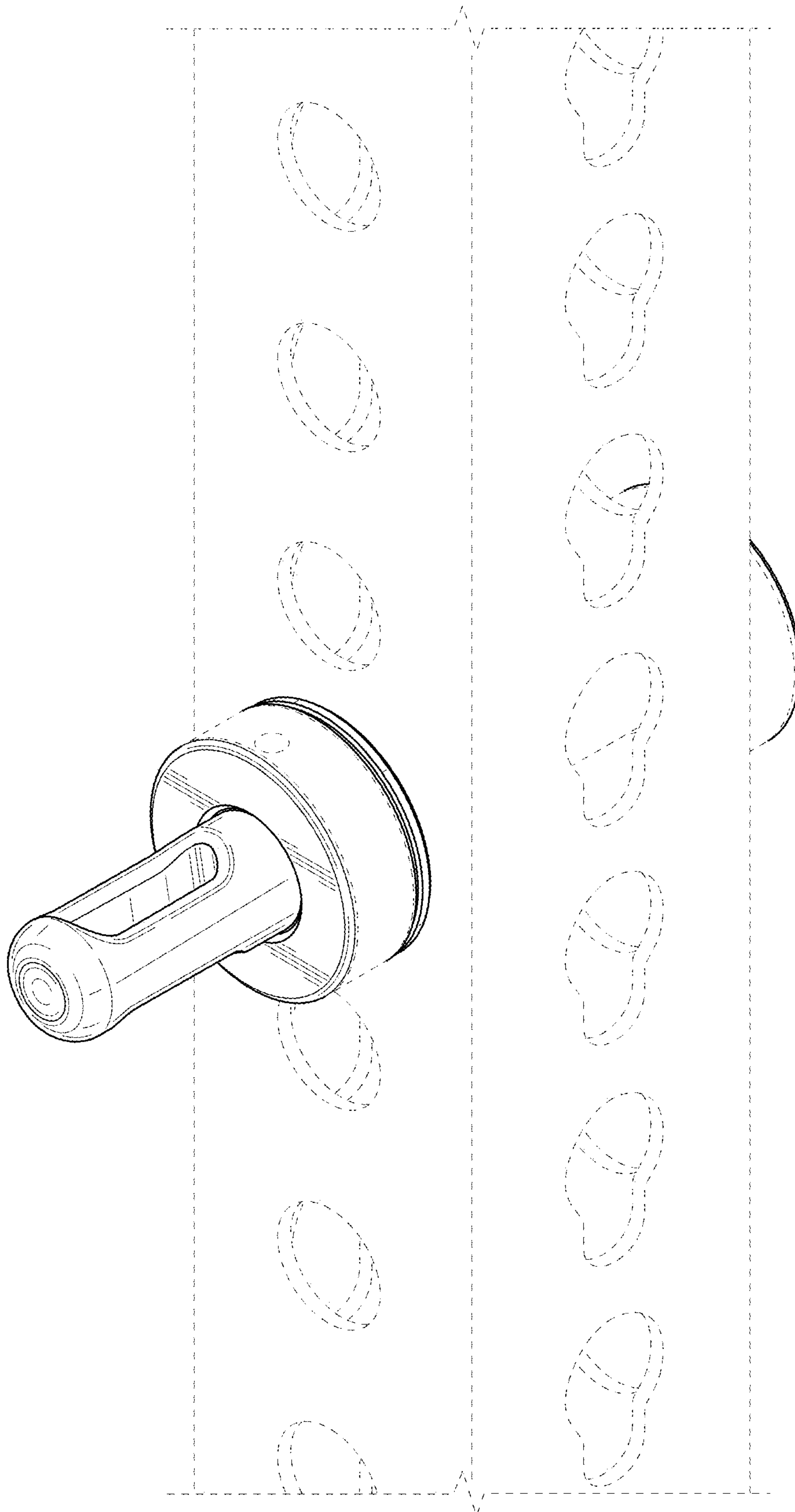


FIG. 8