



US00D949988S

(12) **United States Design Patent**  
**Younane**

(10) **Patent No.:** **US D949,988 S**

(45) **Date of Patent:** **\*\* \*Apr. 26, 2022**

- (54) **COMBINED NECK TRAINER**
- (71) Applicant: **Paul Younane**, Petersfield Hampshire (GB)
- (72) Inventor: **Paul Younane**, Petersfield Hampshire (GB)
- (\* ) Notice: This patent is subject to a terminal disclaimer.
- (\*\*) Term: **15 Years**
- (21) Appl. No.: **29/637,663**
- (22) Filed: **Feb. 21, 2018**
- (51) **LOC (13) Cl.** ..... **21-02**
- (52) **U.S. Cl.**  
USPC ..... **D21/692**
- (58) **Field of Classification Search**  
USPC ..... D21/662, 683, 692, 694, 691, 791, 693, D21/713, 725, 727; D24/191, 214, 215, D24/107, 188, 200, 231, 209, 211, 190; D30/160  
CPC . Y10S 5/915; A61H 7/005; A61H 2201/1609; A61H 2205/04; A63B 21/4003; A63B 71/1291; A63B 23/025  
See application file for complete search history.

- (56) **References Cited**  
U.S. PATENT DOCUMENTS  
D100,481 S \* 7/1936 Straszky ..... D24/214  
6,203,470 B1 \* 3/2001 Lundin ..... A63B 23/025  
482/10  
D514,330 S \* 2/2006 Potempa ..... D8/107  
D558,355 S \* 12/2007 Huang ..... D24/214  
D586,048 S \* 2/2009 Hartstock ..... D28/7  
D602,540 S \* 10/2009 Minter ..... D21/662  
D622,333 S \* 8/2010 Eckermann ..... D21/662  
D641,930 S \* 7/2011 Poletto ..... D28/7  
D678,783 S \* 3/2013 Wilcox ..... D28/7  
D808,600 S \* 1/2018 Malatray ..... D32/17  
D829,921 S \* 10/2018 Xiong ..... D24/214

- D832,453 S \* 10/2018 Amerson ..... D24/214
- D847,360 S \* 4/2019 Levi ..... D24/214
- D931,489 S \* 9/2021 Wang ..... D24/215
- D939,833 S \* 1/2022 Miller ..... D4/100
- 2013/0333708 A1 \* 12/2013 Hassan ..... A61F 5/055  
128/848
- 2016/0053430 A1 \* 2/2016 Chua ..... D06F 75/38  
68/5 A
- 2016/0160434 A1 \* 6/2016 Chua ..... D06F 87/00  
68/5 A

(Continued)

**OTHER PUBLICATIONS**

Qaxlry, annoucned 2003]online], [site visited Feb. 22, 2022]. Available on internet, URL: <https://www.amazon.com/YP-NKO1OA-PY-Neckline-Slimmer/dp/B003E6VTW0/ref> (Year: 2003).\*

*Primary Examiner* — Khawaja Anwar  
*Assistant Examiner* — Julice Seung Eun Oum  
(74) *Attorney, Agent, or Firm* — Invention To Patent Services; Alex Hobson

(57) **CLAIM**

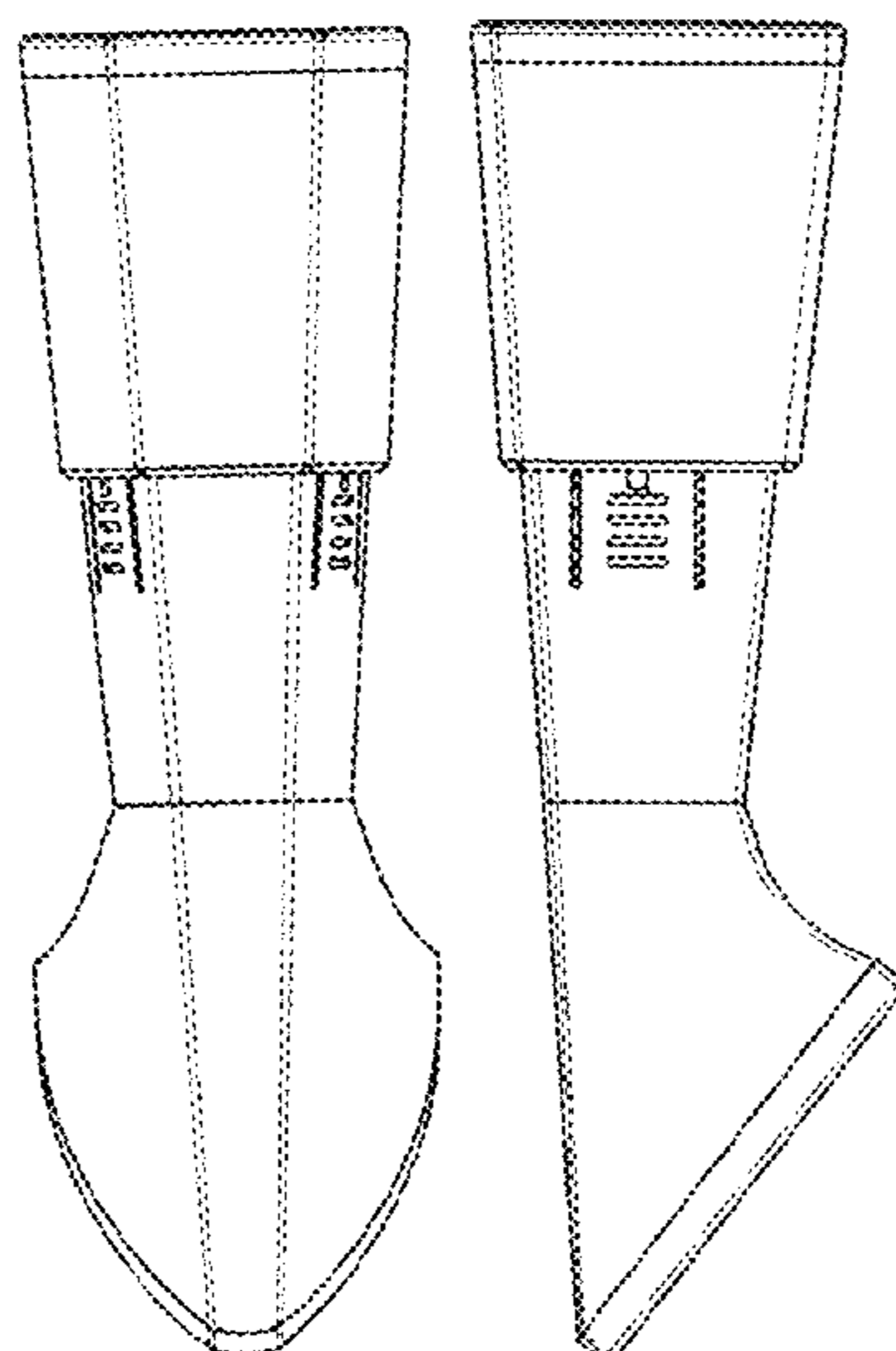
The ornamental design for a combined neck trainer, as shown and described.

**DESCRIPTION**

FIG. 1 is a front view of the combined neck trainer; FIG. 2 is a right side view of the combined neck trainer; FIG. 3 is a rear view of the combined neck trainer; FIG. 4 is a top view of the combined neck trainer; FIG. 5 is a bottom view of the combined neck trainer; FIG. 6 is a right side view of the combined neck trainer in a compressed state; and, FIG. 7 is an exploded assembly view of the combined neck trainer.

The broken lines in the drawings showing the combined neck trainer illustrate the portions that form no part of the claimed design.

**1 Claim, 6 Drawing Sheets**



(56)

**References Cited**

U.S. PATENT DOCUMENTS

2017/0114495 A1\* 4/2017 Date ..... D06F 87/00

\* cited by examiner

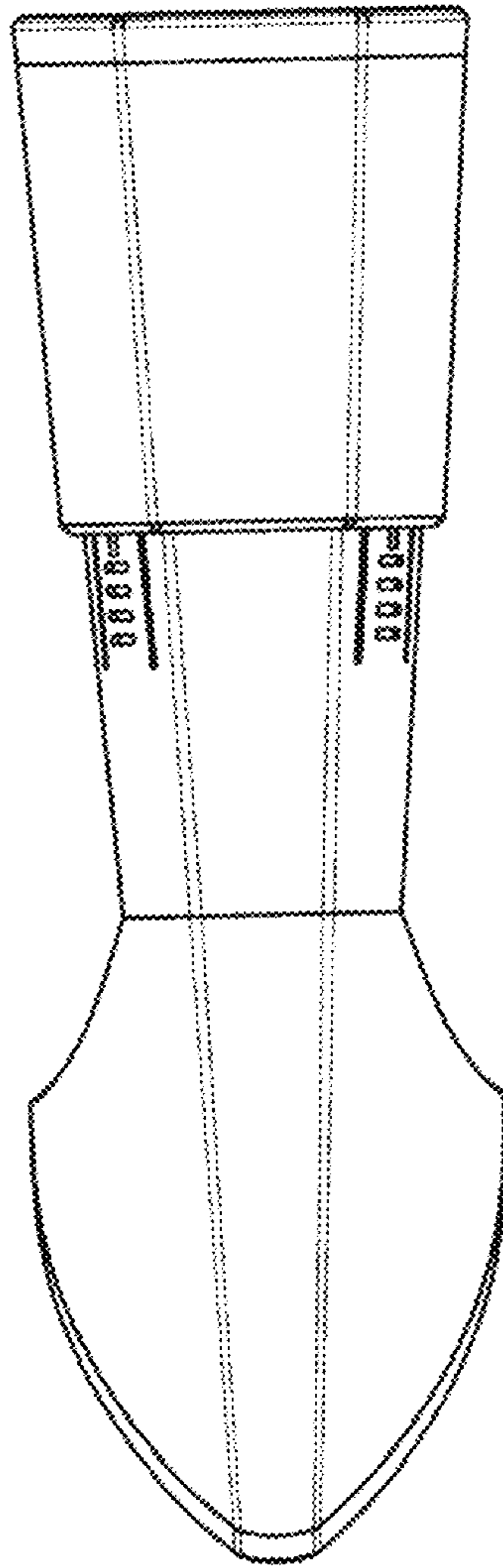


FIG. 1

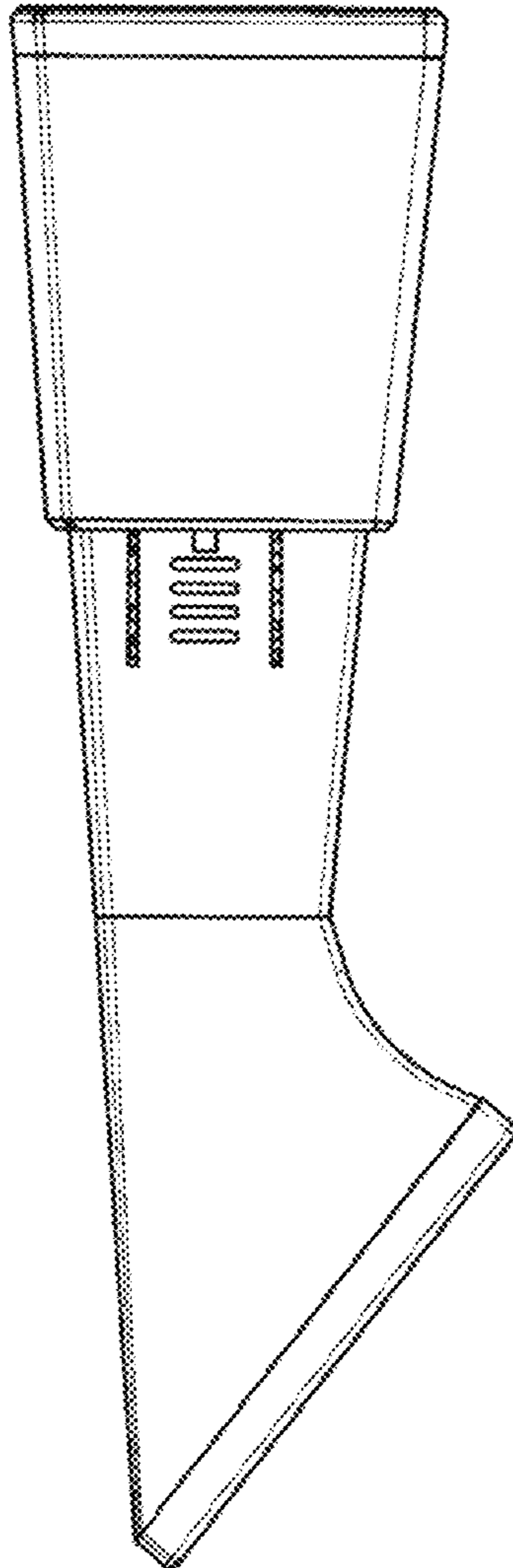


FIG. 2

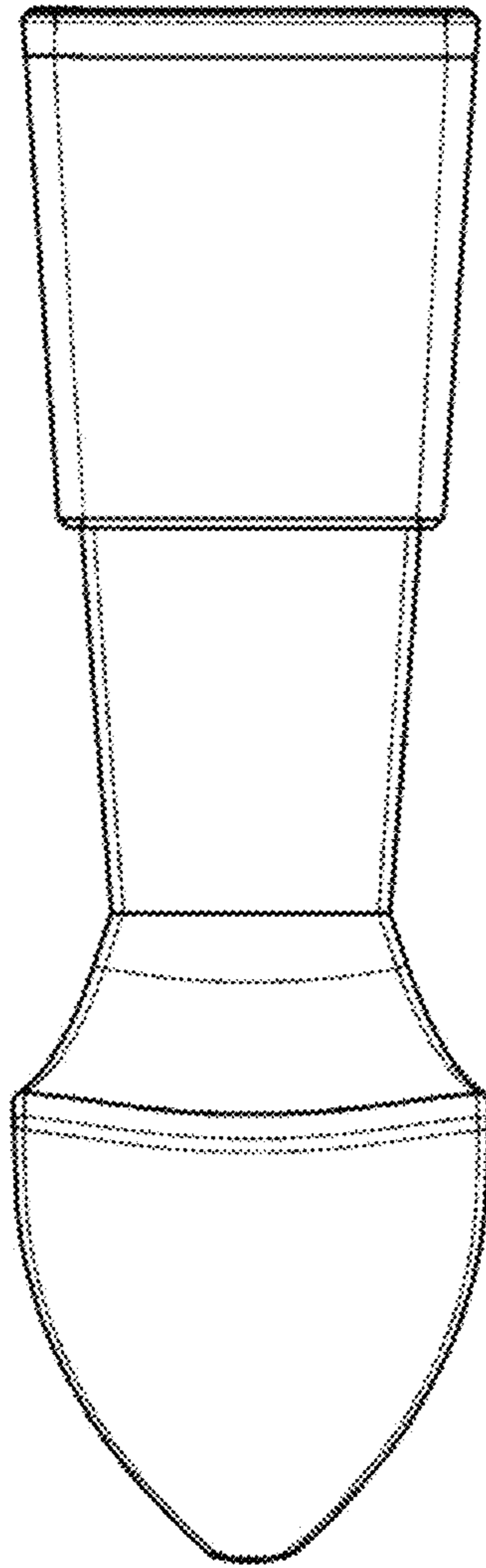


FIG. 3

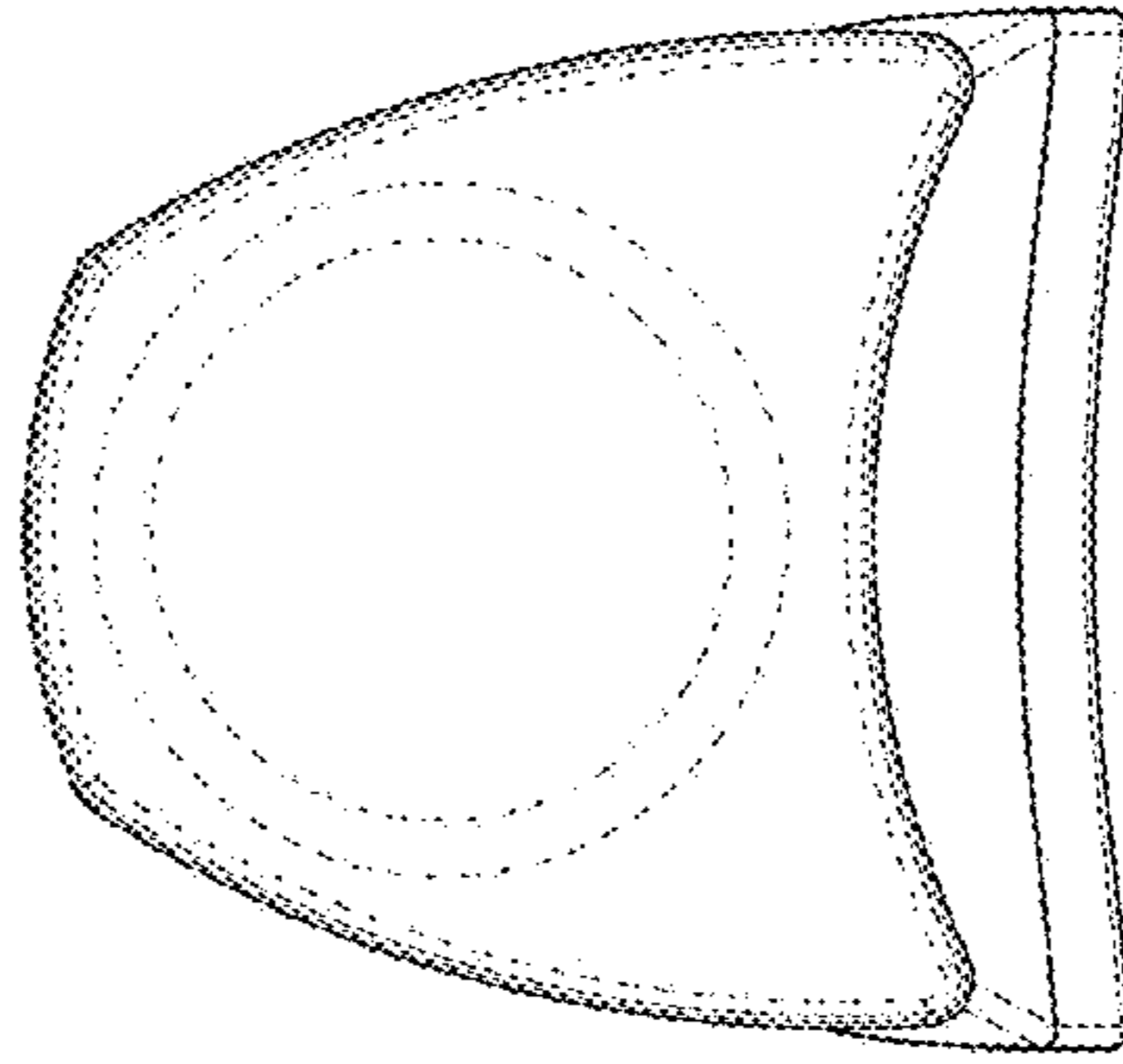


FIG. 4

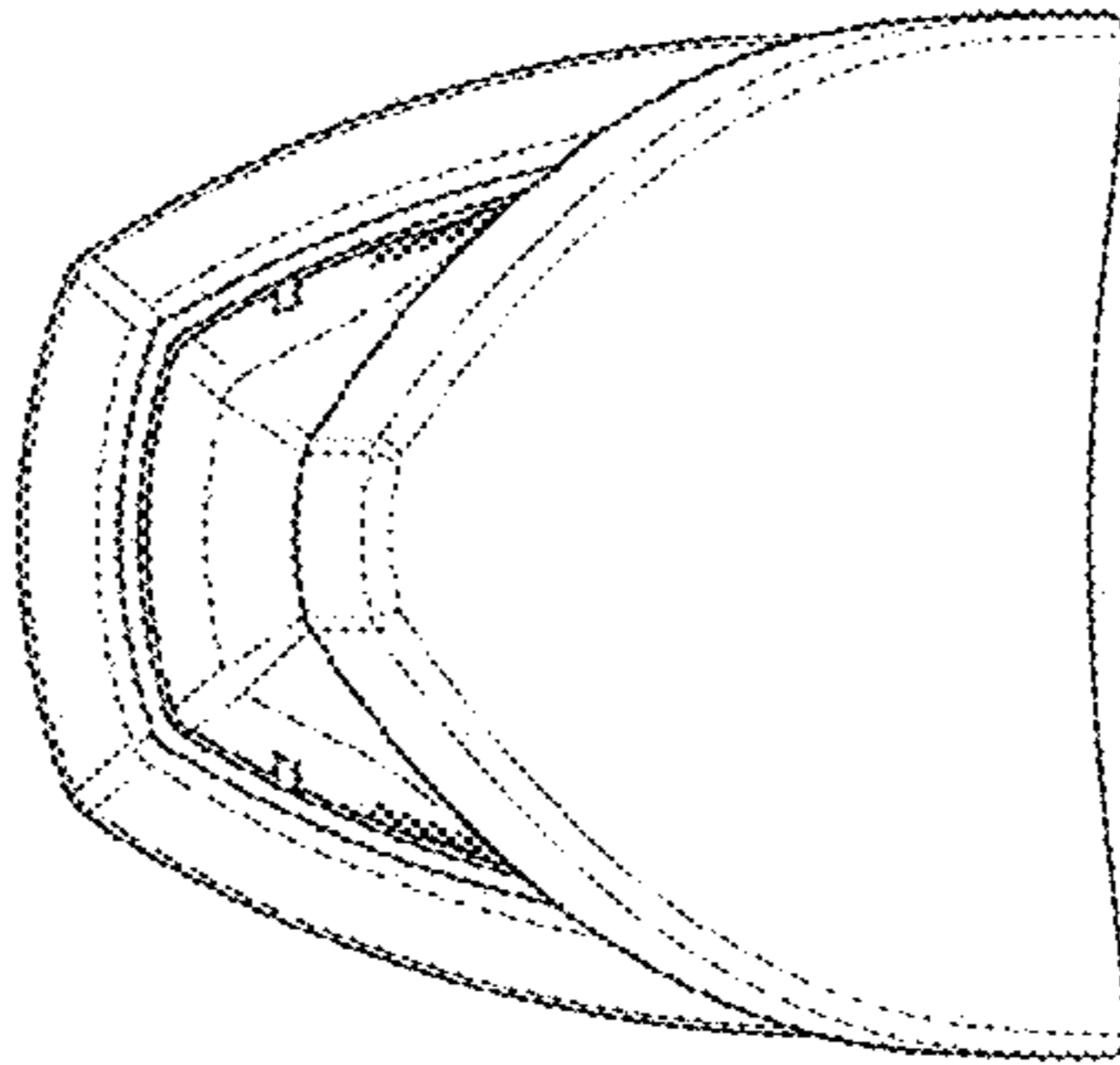


FIG. 5

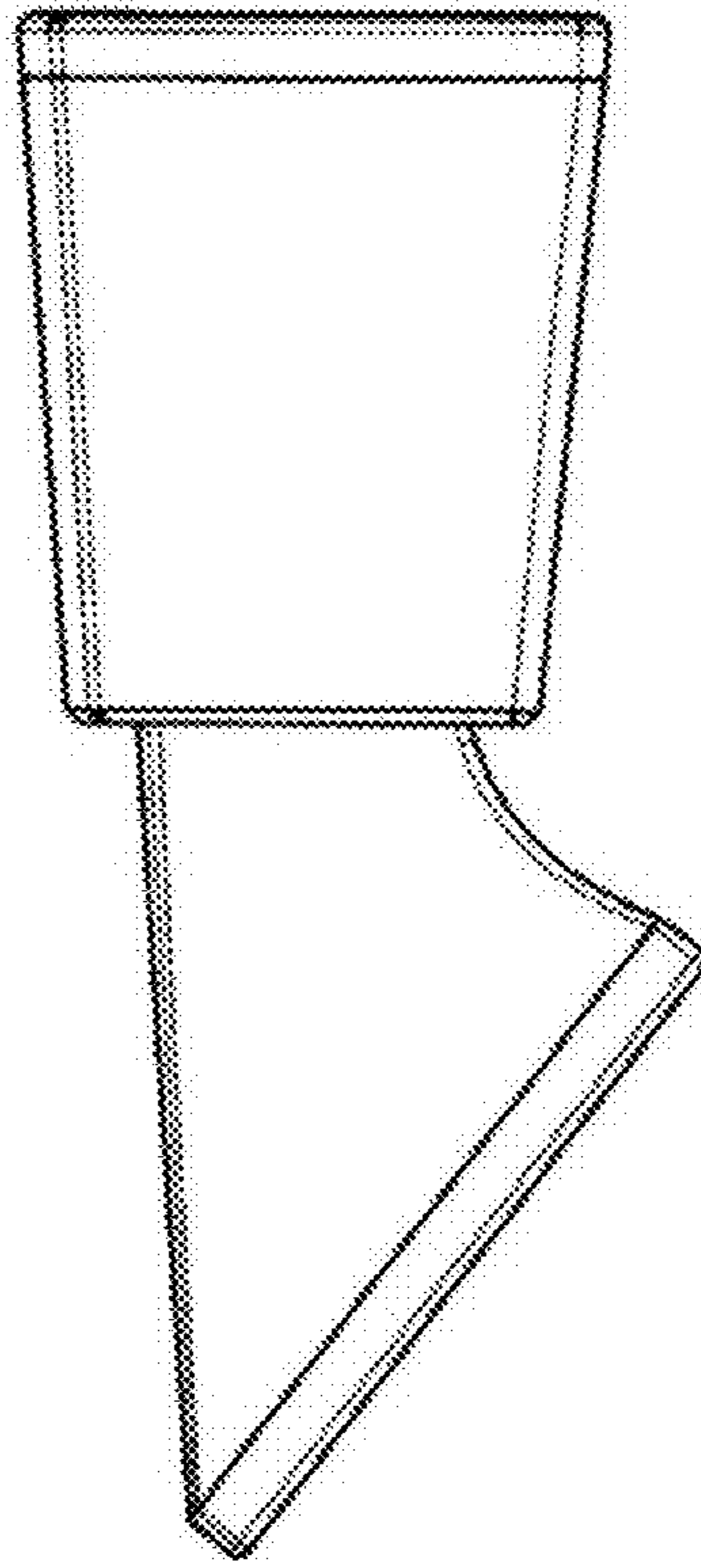


FIG. 6

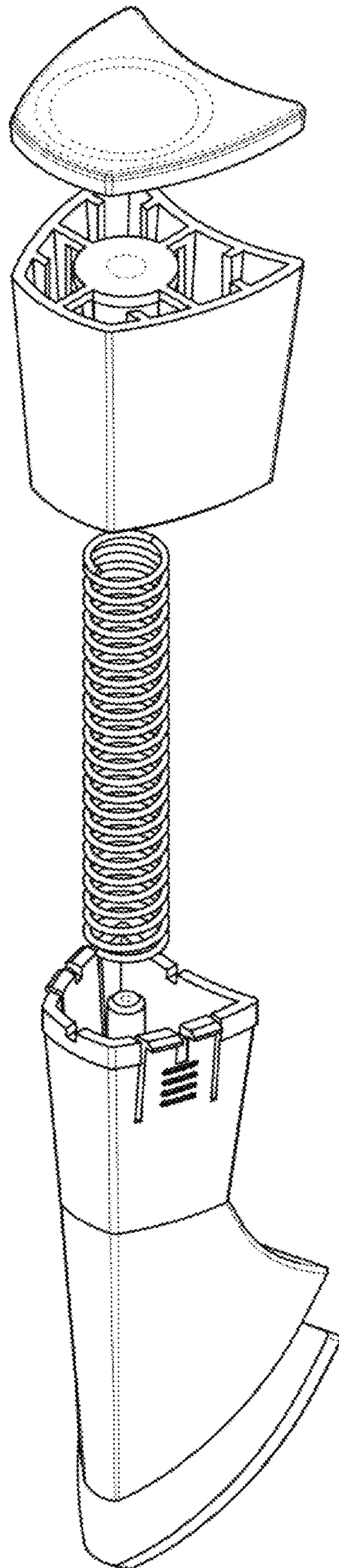


FIG. 7