



US00D949984S

(12) **United States Design Patent**  
**Kiribuchi**

(10) **Patent No.:** **US D949,984 S**

(45) **Date of Patent:** **\*\* Apr. 26, 2022**

(54) **ASSEMBLING TOY**

(71) Applicant: **People Co., Ltd.**, Tokyo (JP)

(72) Inventor: **Masato Kiribuchi**, Tokyo (JP)

(73) Assignee: **PEOPLE CO., LTD.**, Tokyo (JP)

(\*\*) Term: **15 Years**

(21) Appl. No.: **29/795,853**

(22) Filed: **Jun. 21, 2021**

(30) **Foreign Application Priority Data**

Dec. 24, 2020 (JP) ..... 2020-028061

(51) **LOC (13) Cl.** ..... **21-01**

(52) **U.S. Cl.**  
USPC ..... **D21/599**; D21/658

(58) **Field of Classification Search**  
USPC ..... D11/57, 134, 137, 158, 162, 141;  
D21/490, 576, 96, 598, 599, 602, 611,  
D21/618-620, 661, 653, 656, 658  
See application file for complete search history.

(56) **References Cited**

**U.S. PATENT DOCUMENTS**

D280,190 S *	8/1985	Carbajales Santa-Eulalia	.....	D11/158
D308,084 S *	5/1990	Smith	.....	D21/599
D317,800 S *	6/1991	Laursen	.....	D21/599
D322,346 S *	12/1991	Thompson	.....	D34/4
D325,068 S *	3/1992	Gaury	.....	D1/100
D326,475 S *	5/1992	Alexander	.....	D19/65
D329,657 S *	9/1992	Nakamura	.....	D17/22
D337,629 S *	7/1993	Lal	.....	D21/599
D341,867 S *	11/1993	Miuccio	.....	D21/599
D361,788 S *	8/1995	Melzian	.....	D19/77

D396,756 S *	8/1998	Flauto	.....	D20/11
D428,079 S *	7/2000	Yamazaki	.....	D21/398
D441,816 S *	5/2001	Welch	.....	D21/714
D467,067 S *	12/2002	Thompson	.....	D3/211
D564,717 S *	3/2008	Lamstein	.....	D21/599
D619,843 S *	7/2010	Noren	.....	D6/564
D670,771 S *	11/2012	Lo	.....	D21/597
D758,201 S *	6/2016	Sehl	.....	D9/606
D836,169 S *	12/2018	Sapulich	.....	D21/599
D847,272 S *	4/2019	Jonas	.....	D21/599
D900,253 S *	10/2020	Deutsch	.....	D21/599
D912,164 S *	3/2021	Deutsch	.....	D21/599

\* cited by examiner

*Primary Examiner* — Michael C Stout

*Assistant Examiner* — Melvin L Davis

(74) *Attorney, Agent, or Firm* — Leydig Voit & Mayer, Ltd.

(57) **CLAIM**

The ornamental design for an assembling toy, as shown and described.

**DESCRIPTION**

FIG. 1 is a front view of an assembling toy of the present invention.

FIG. 2 is a rear view thereof.

FIG. 3 is a top plan view thereof.

FIG. 4 is a bottom plan view thereof.

FIG. 5 is a right side view thereof.

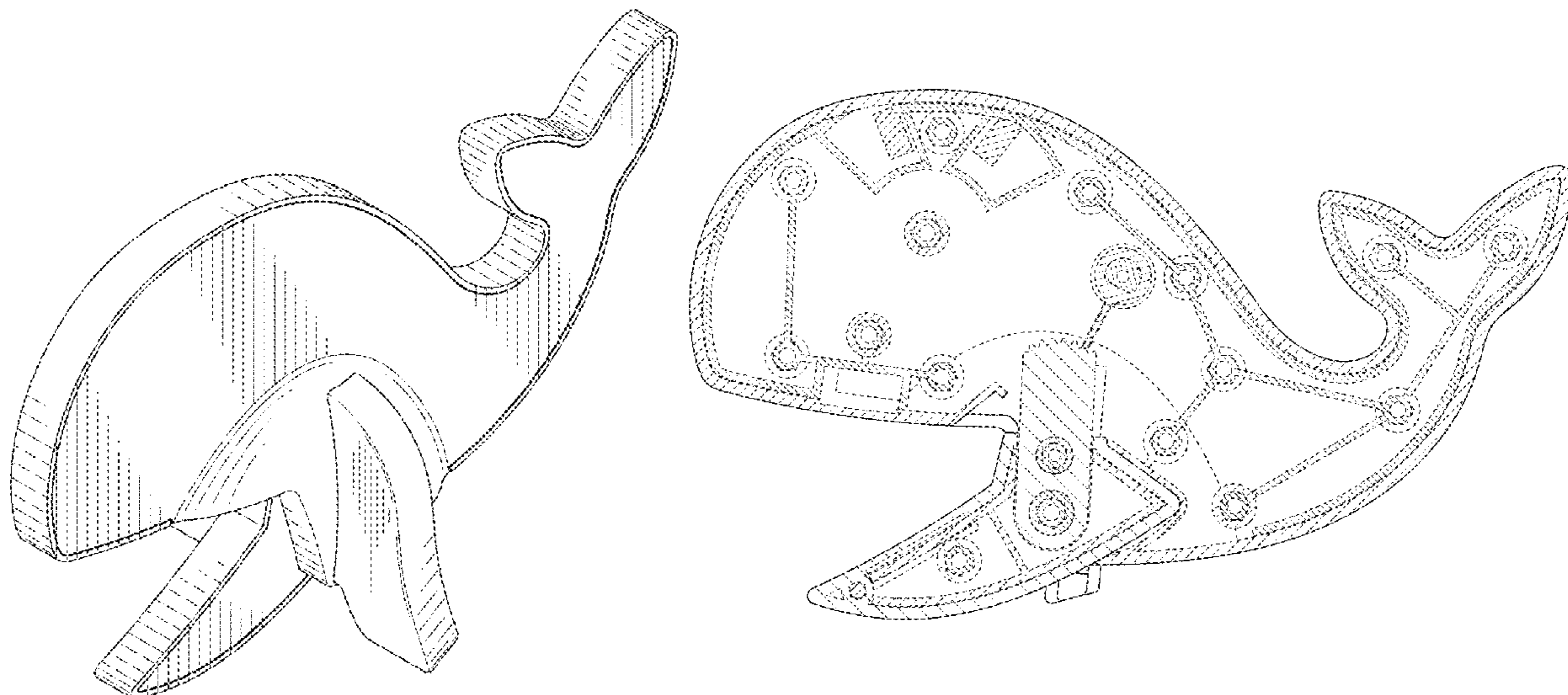
FIG. 6 is a left side view thereof.

FIG. 7 is a perspective view thereof; and,

FIG. 8 is a sectional view thereof taken along section line 8-8 of FIG. 6.

The broken line showing of the assembling toy is for the purpose of illustrating portions of the article that forms no part of the claimed design.

**1 Claim, 8 Drawing Sheets**



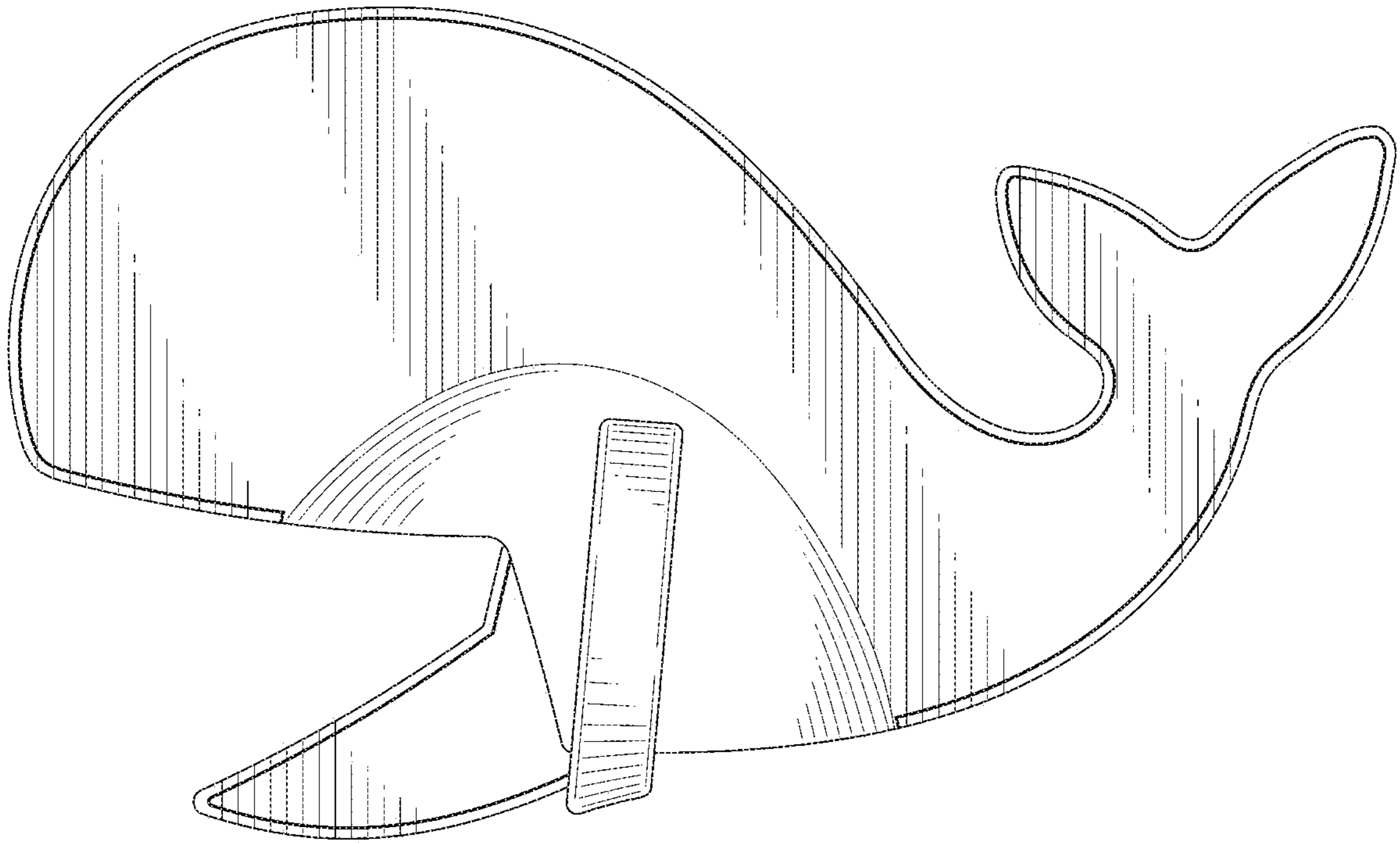


FIG. 1

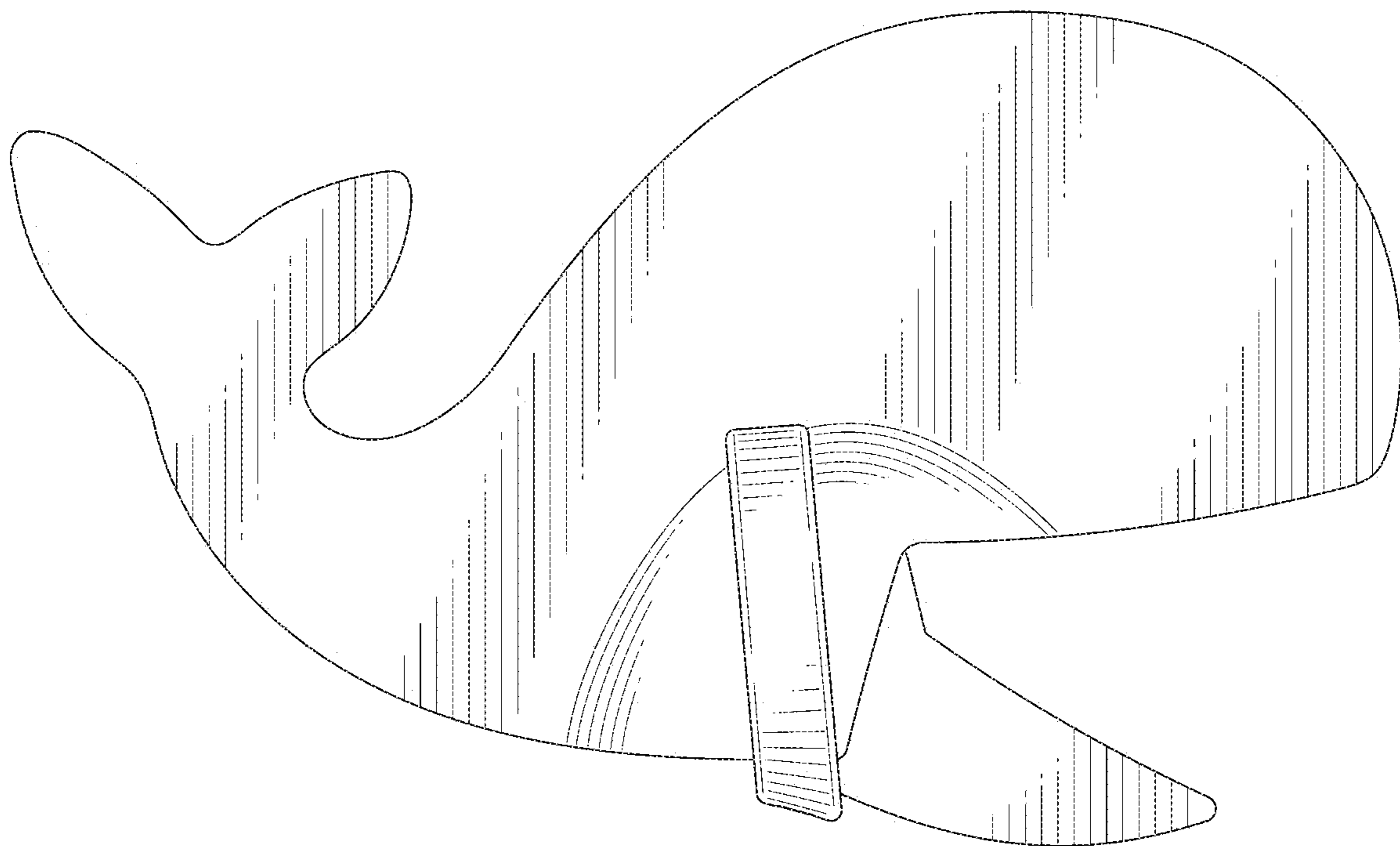


FIG. 2

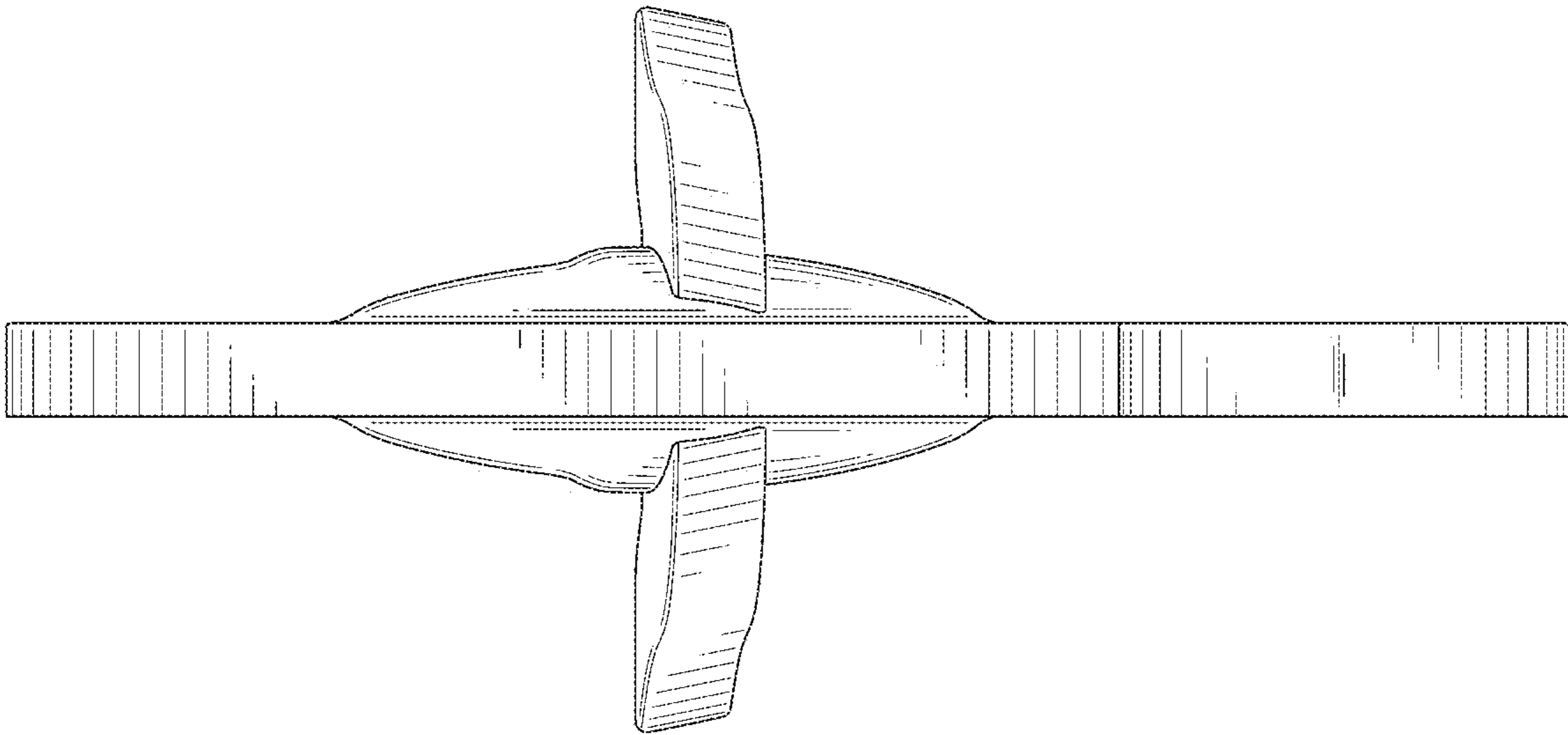


FIG. 3

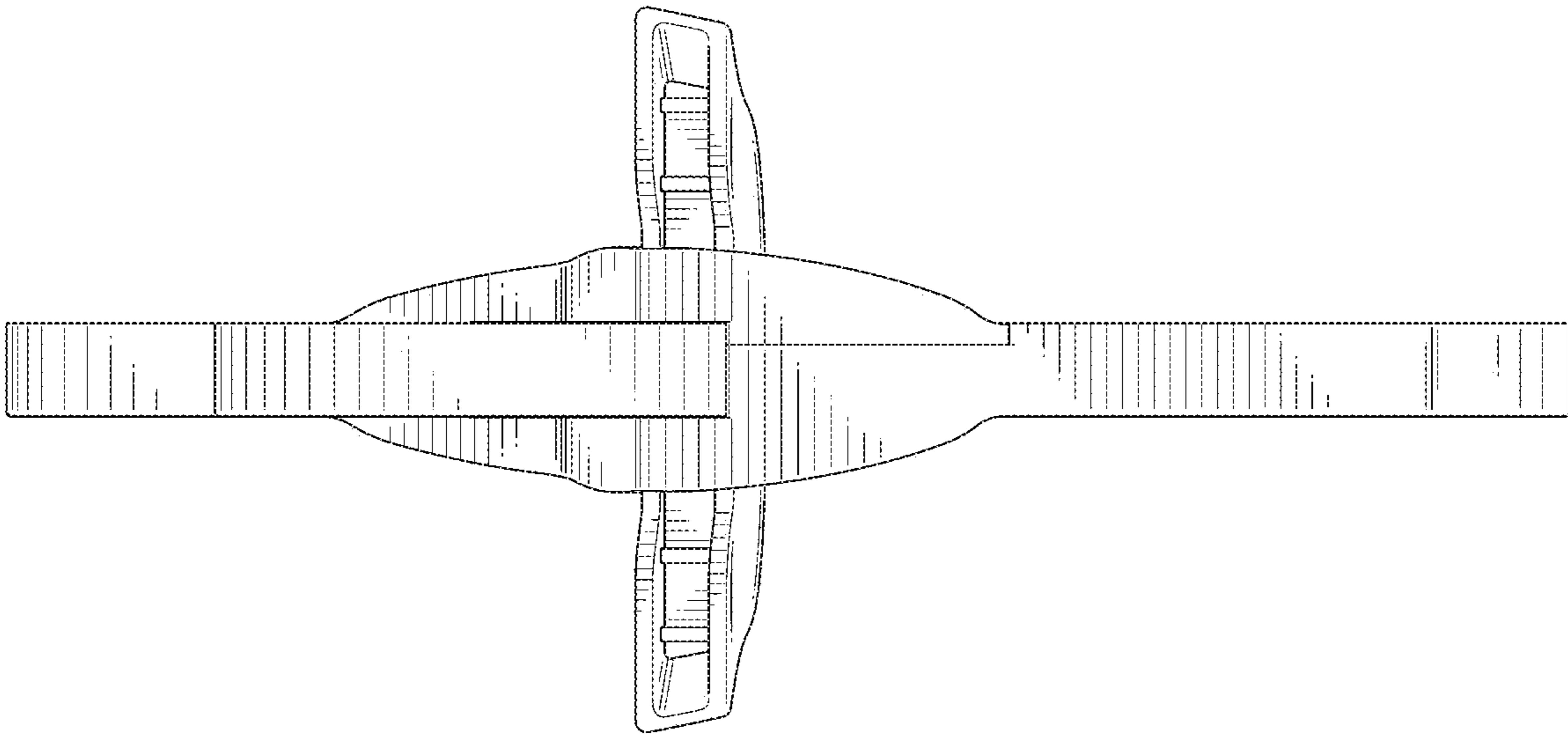


FIG. 4

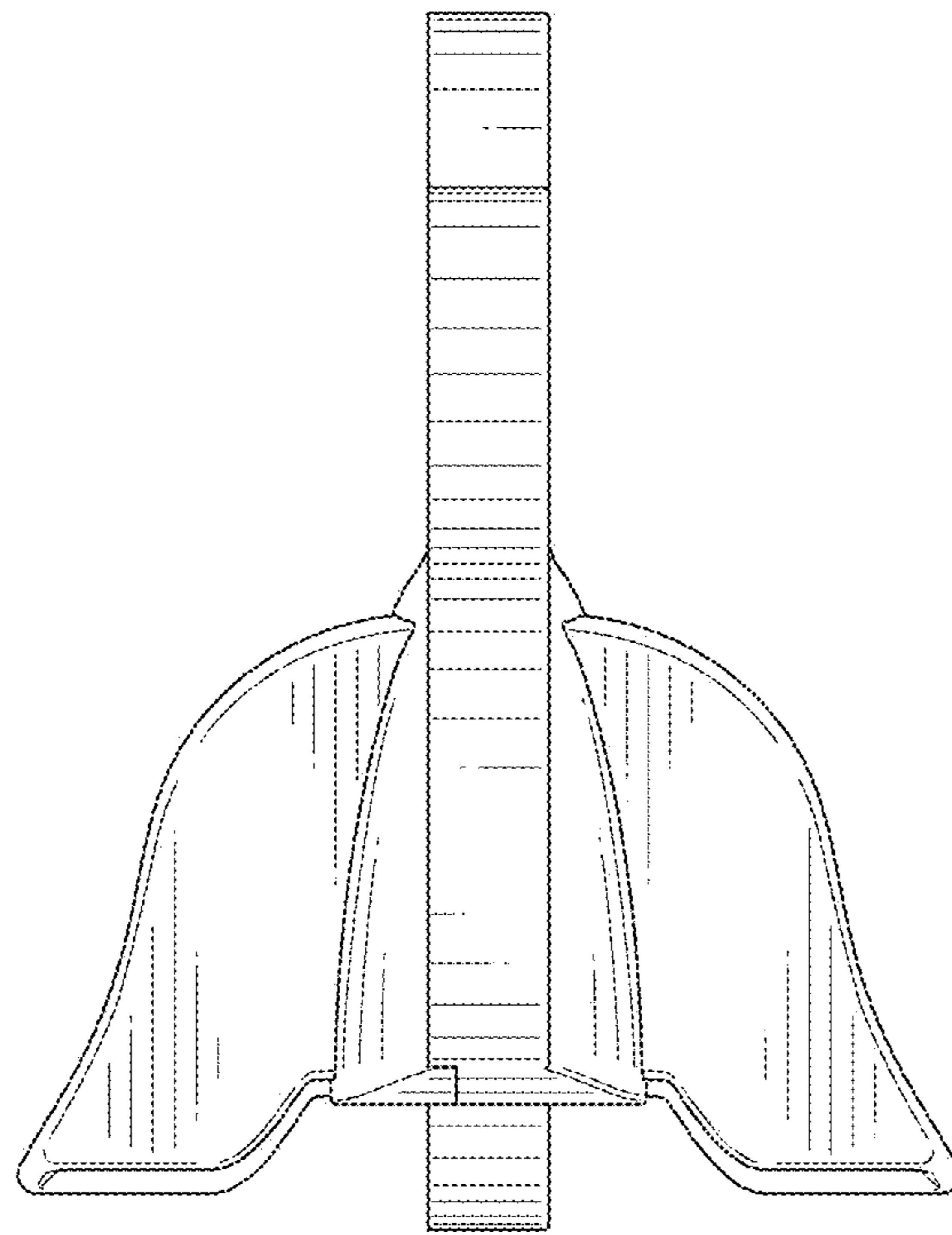


FIG. 5

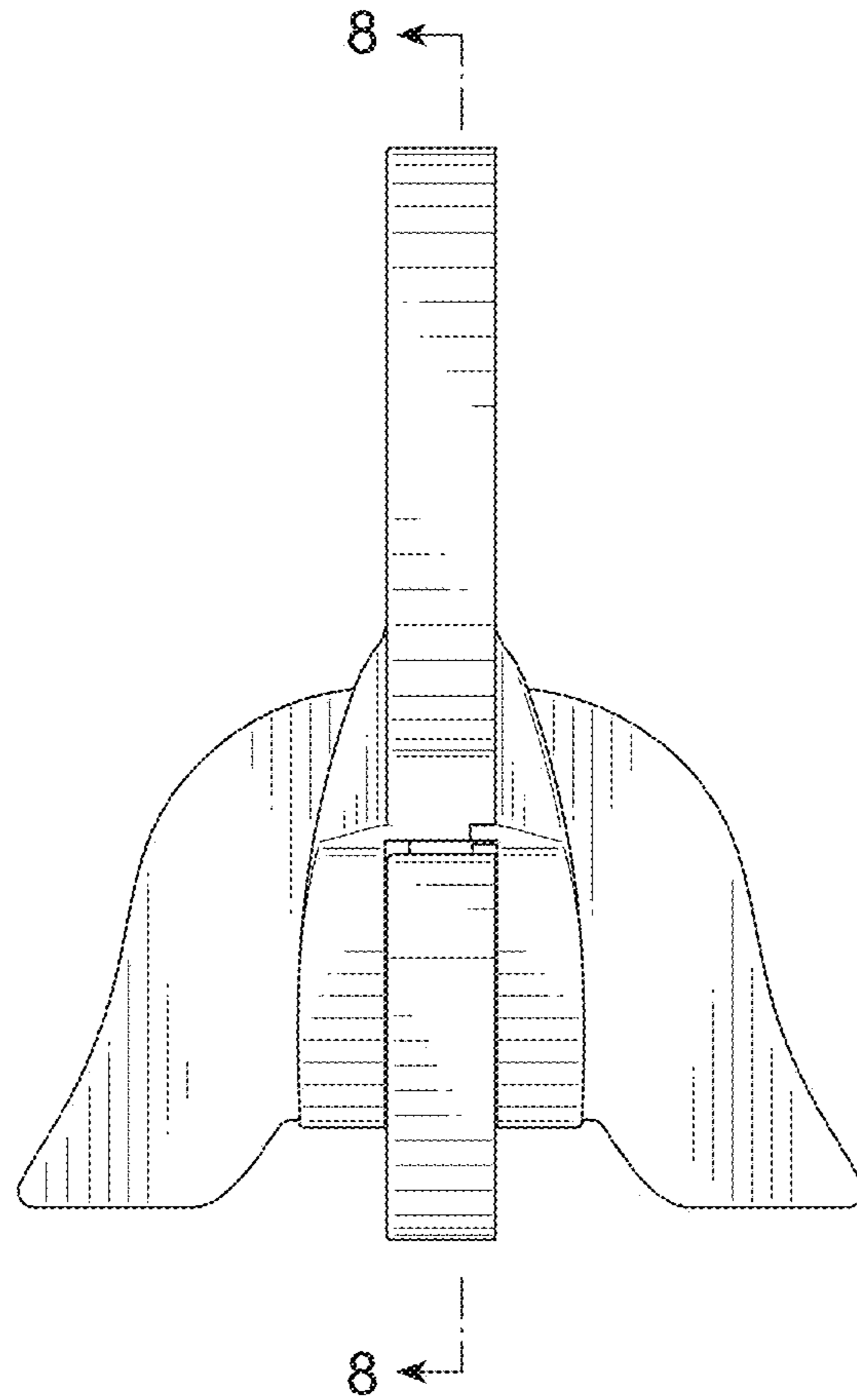


FIG. 6

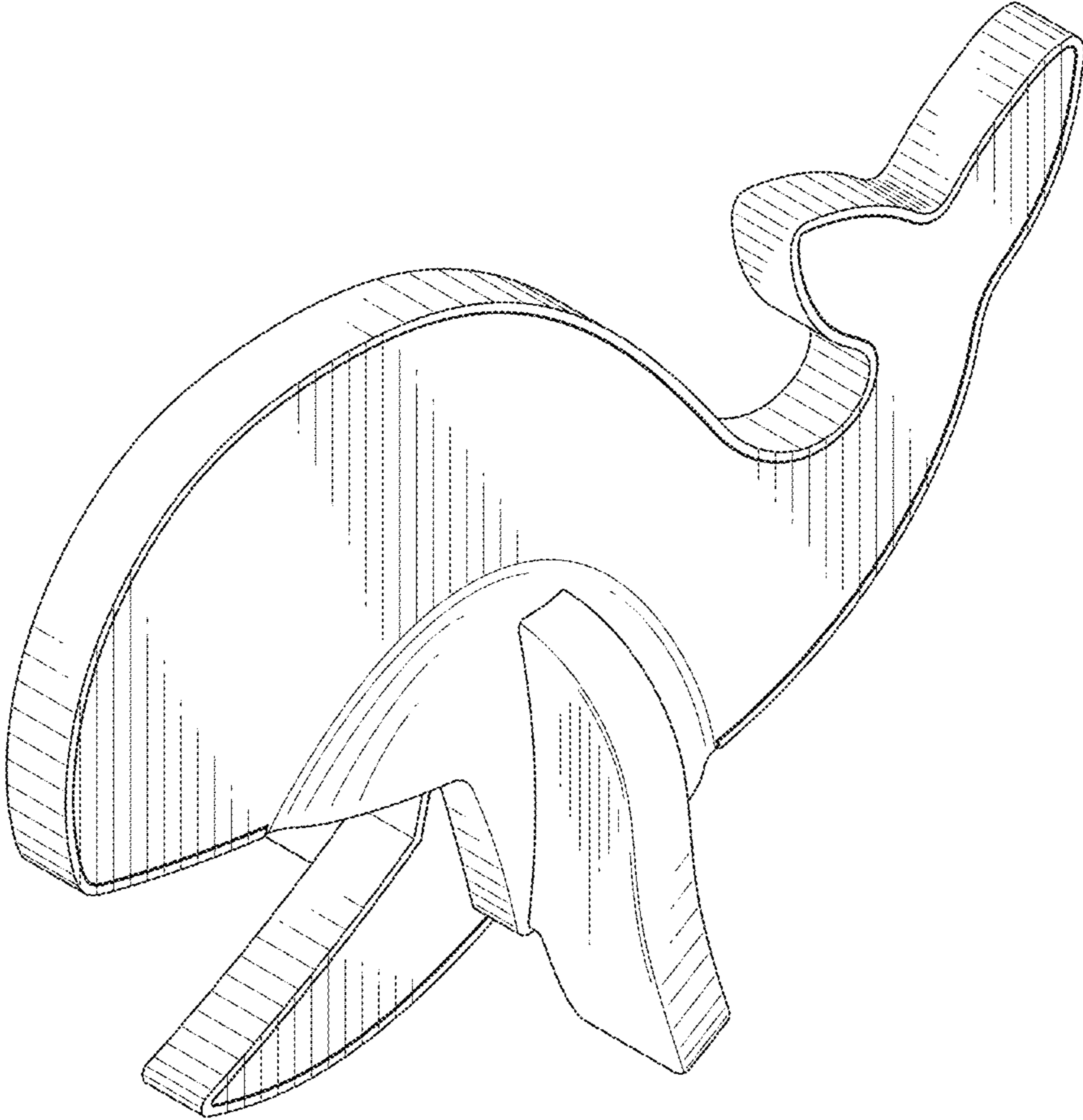


FIG. 7



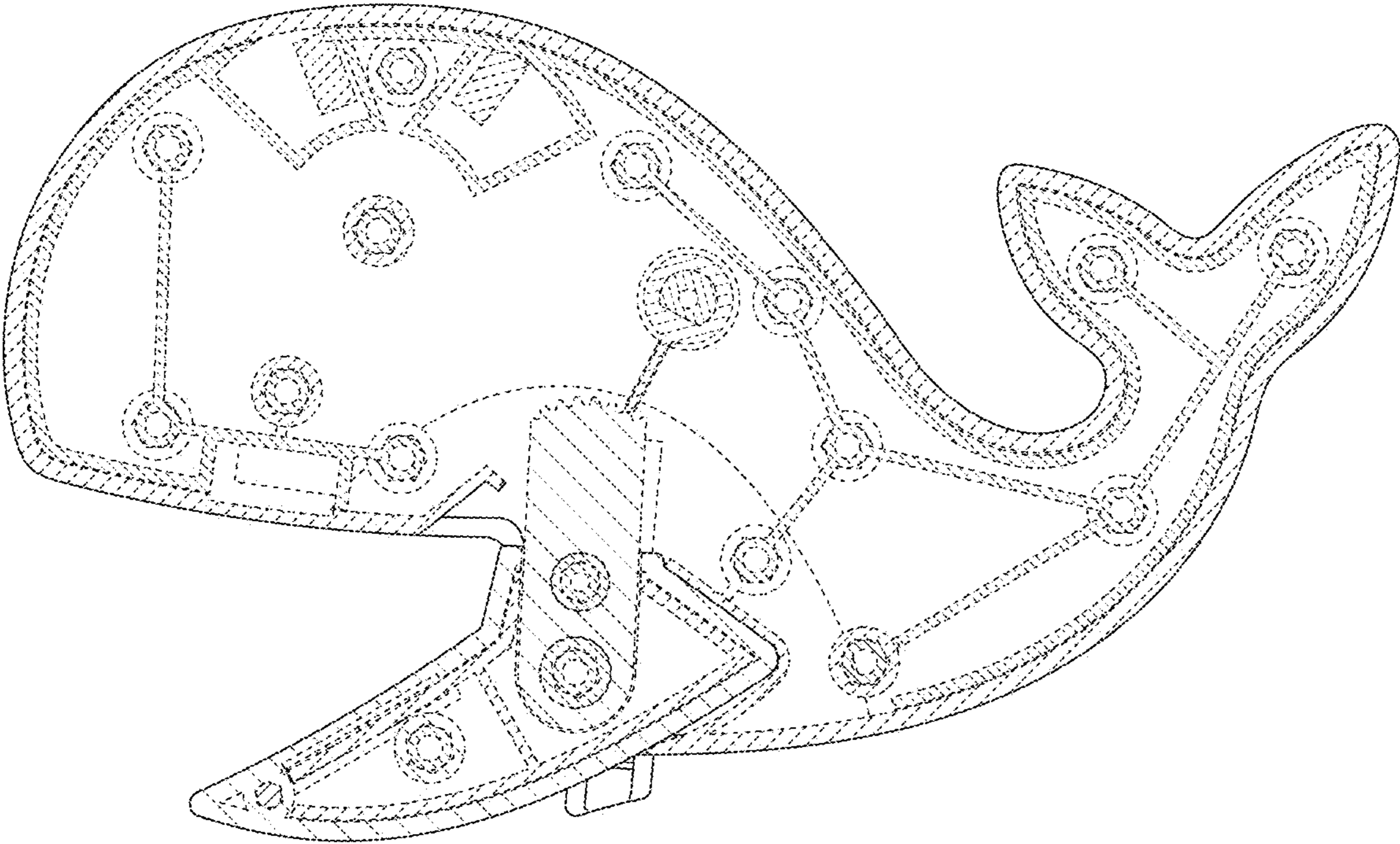


FIG. 8