



US00D949983S

(12) **United States Design Patent** (10) **Patent No.:** **US D949,983 S**  
**Walter** (45) **Date of Patent:** **\*\* Apr. 26, 2022**

(54) **WATER GUN**

(71) Applicant: **Spyra GmbH**, Munich (DE)  
 (72) Inventor: **Sebastian Walter**, Alfter (DE)  
 (73) Assignee: **SPYRA GMBH**, Munich (DE)  
 (\*\*) Term: **15 Years**

(21) Appl. No.: **35/510,584**  
 (22) Filed: **Dec. 19, 2019**

(80) **Hague Agreement Data**  
 Int. Filing Date: **Dec. 19, 2019**  
 Int. Reg. No.: **DM/210585**  
 Int. Reg. Date: **Dec. 19, 2019**  
 Int. Reg. Pub. Date: **Oct. 16, 2020**

(30) **Foreign Application Priority Data**  
 Jun. 25, 2019 (DE) ..... 402019202045  
 (51) **LOC (13) Cl.** ..... **21-01**  
 (52) **U.S. Cl.**  
 USPC ..... **D21/573**  
 (58) **Field of Classification Search**  
 USPC ..... D22/103, 108; D21/572, 573, 575  
 CPC ..... F41B 9/00; F41B 11/89  
 See application file for complete search history.

(56) **References Cited**

U.S. PATENT DOCUMENTS

D434,458 S *	11/2000	Hornsby .....	D21/572
D523,096 S *	6/2006	Pflaumer .....	D21/573
D588,212 S *	3/2009	Stadlbauer .....	D21/572
D729,880 S *	5/2015	Nichols .....	D21/573
D766,381 S *	9/2016	Crye .....	D21/573

\* cited by examiner

*Primary Examiner* — Michael A. Pratt

(74) *Attorney, Agent, or Firm* — Quarles & Brady LLP; Yakov S. Sidorin

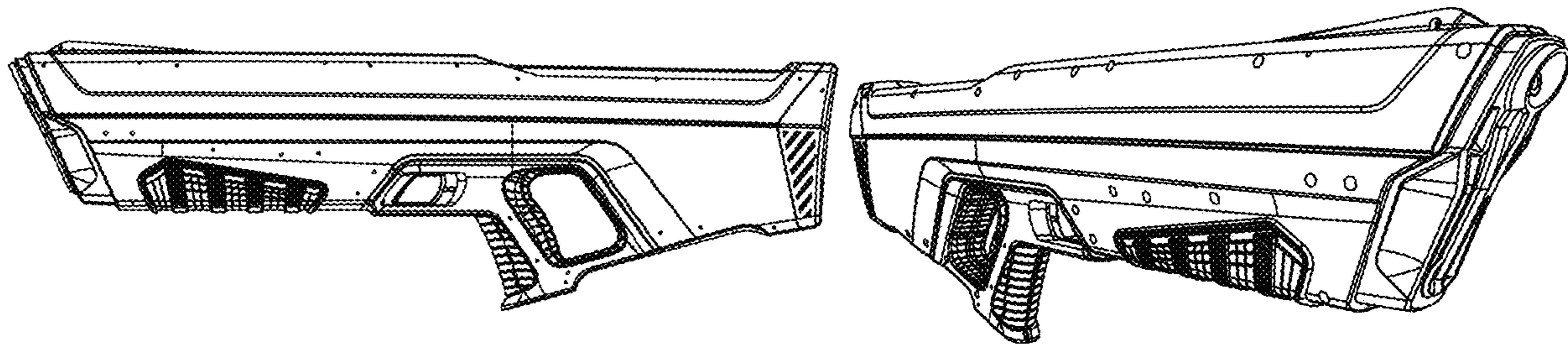
(57) **CLAIM**

The ornamental design for a water gun, as shown and described.

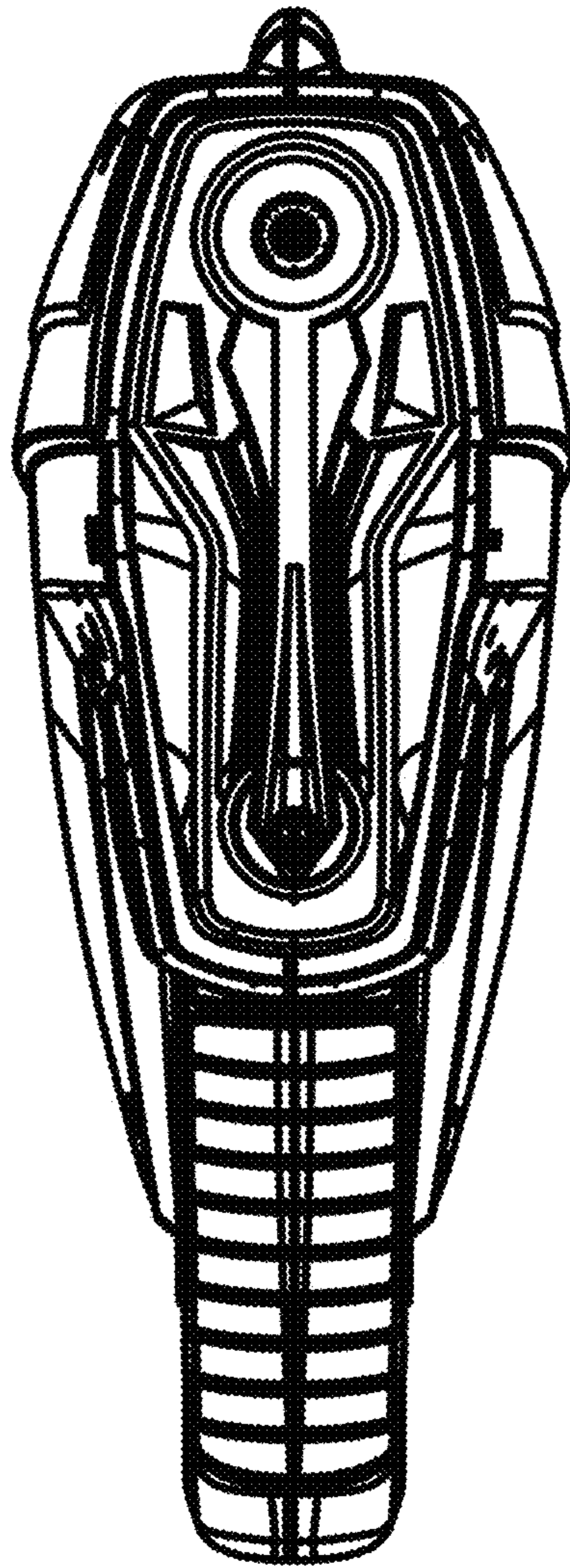
**DESCRIPTION**

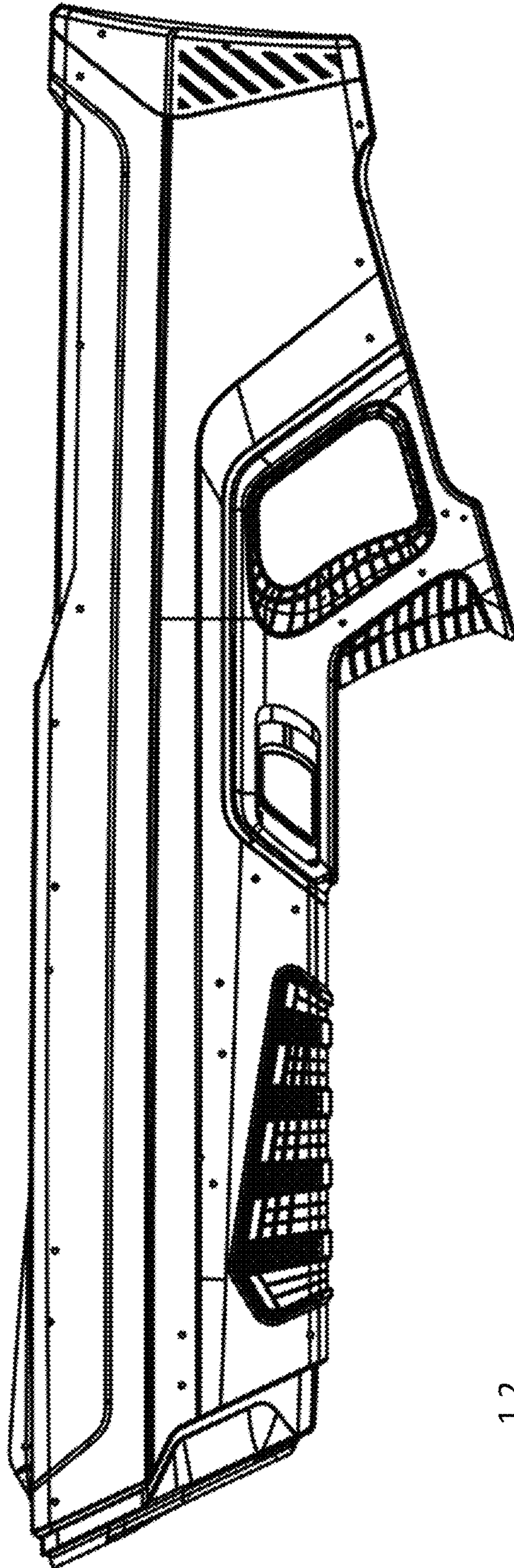
1. Water gun  
 Fig. 1.1 is a front view of an ornamental design for a water gun;  
 Fig. 1.2 is a left side view of the ornamental design;  
 Fig. 1.3 is a first perspective view of the ornamental design;  
 Fig. 1.4 is a second perspective view of the ornamental design;  
 Fig. 1.5 is a third perspective view of the ornamental design.

**1 Claim, 5 Drawing Sheets**



1.1

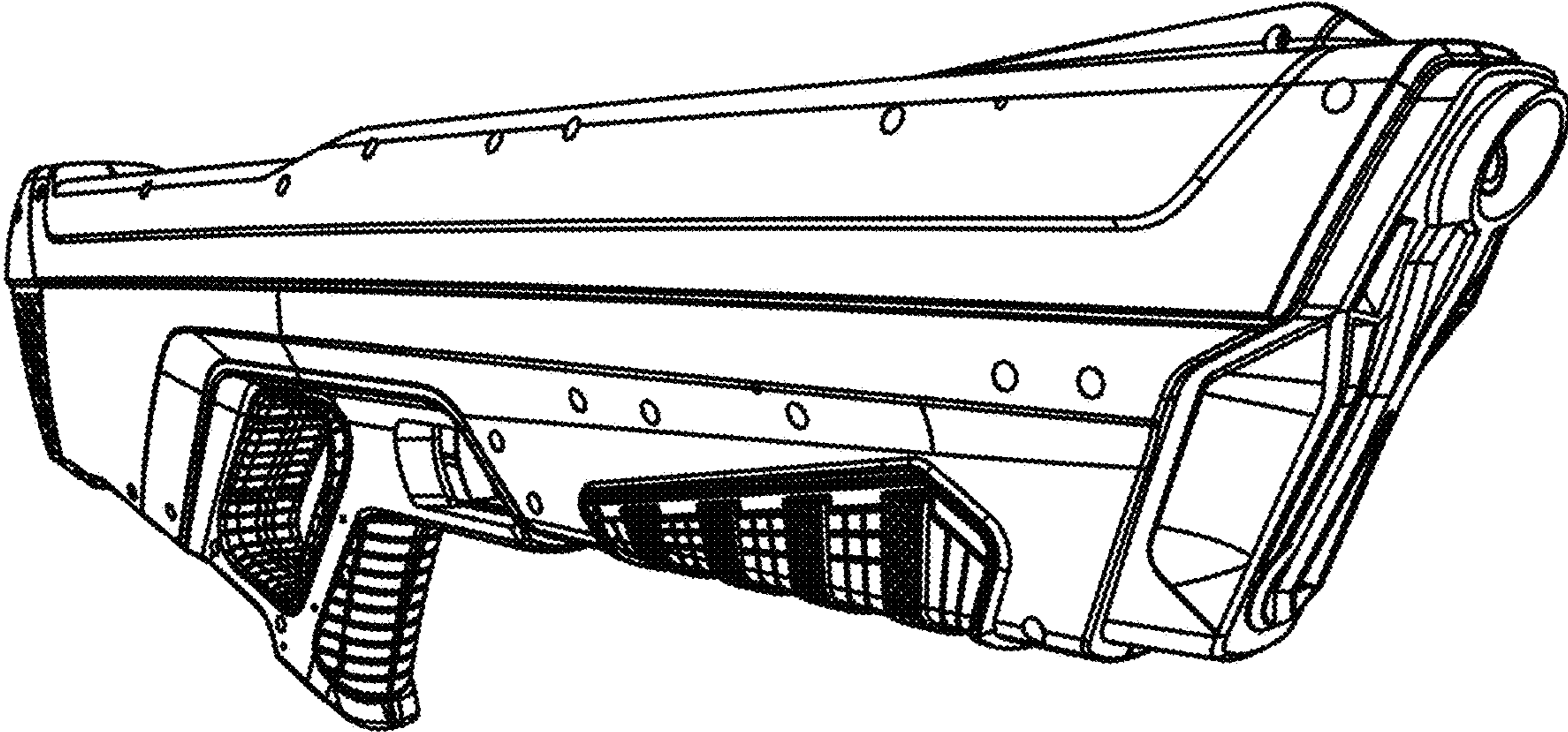




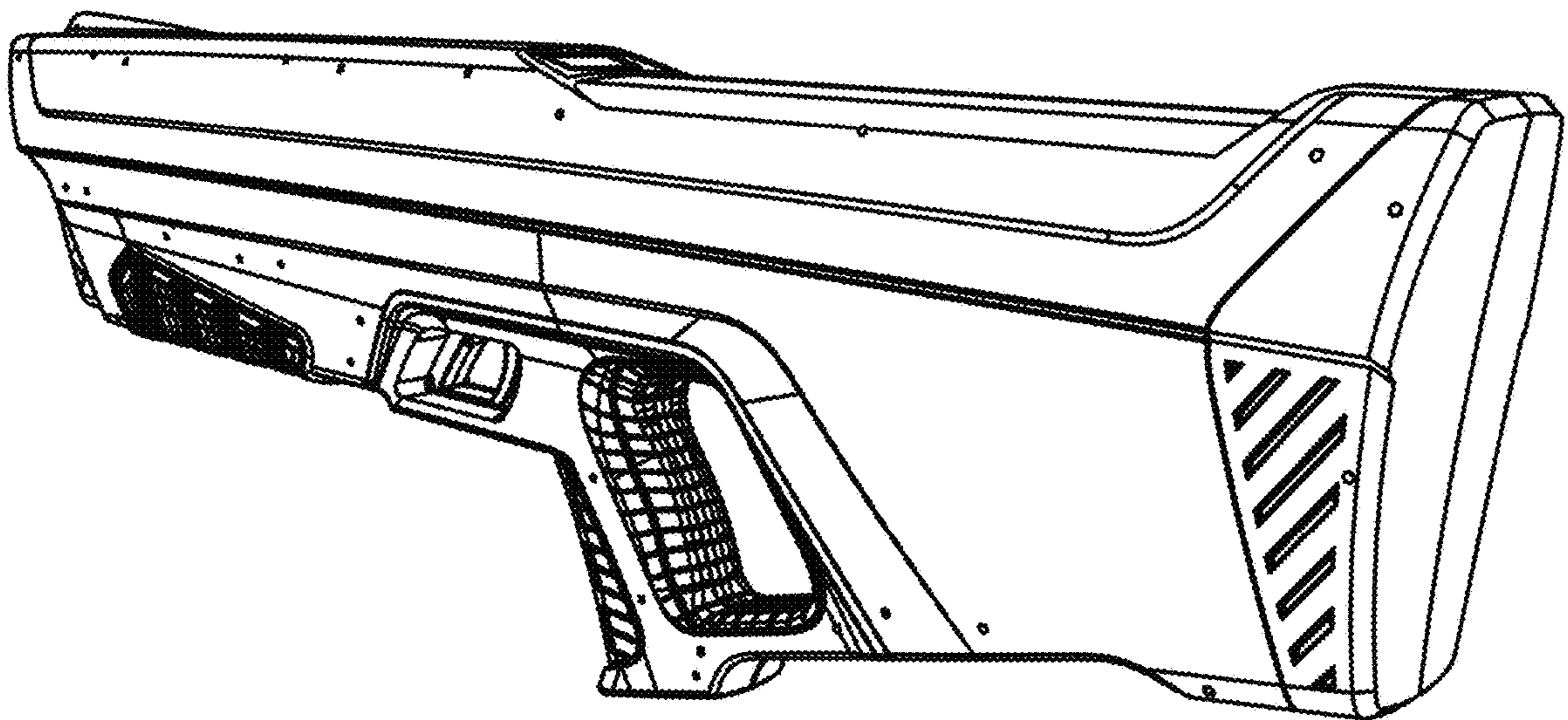
1.2



1.3



1.4



1.5

