



US00D949982S

(12) **United States Design Patent** (10) **Patent No.:** **US D949,982 S**
Sprowl et al. (45) **Date of Patent:** **** Apr. 26, 2022**

(54) **MODEL VEHICLE WHEEL**

(71) Applicant: **TRAXXAS LP**, McKinney, TX (US)
(72) Inventors: **Jory Sprowl**, Honey Grove, TX (US);
Adam Cole Ewing, McKinney, TX (US); **Otto Karl Allmendinger**,
Rowlett, TX (US); **Kent Poteet**, Lucas,
TX (US)
(73) Assignee: **TRAXXAS, L.P.**, McKinney, TX (US)
(**) Term: **15 Years**

(21) Appl. No.: **29/696,558**

(22) Filed: **Jun. 28, 2019**

(51) **LOC (13) Cl.** **21-01**

(52) **U.S. Cl.**
USPC **D21/563**

(58) **Field of Classification Search**
USPC D21/563, 533, 548, 549, 550; D12/204,
D12/207-212
CPC A63H 17/262; B60B 21/00; B60B 5/00;
B60B 5/02; B60B 7/00; B60B 7/01;
B60B 7/02; B60B 7/04; B60B 7/06;
B60B 3/02;

(Continued)

(56) **References Cited**

U.S. PATENT DOCUMENTS

1,978,026 A 10/1934 Miller
2,731,301 A 1/1956 Lyon

(Continued)

FOREIGN PATENT DOCUMENTS

CN 304967598 * 12/2018
CN 305062663 * 3/2019

(Continued)

OTHER PUBLICATIONS

Zach, "Tires not glued the best," Aug. 25, 2018 (review with photo),
amazon.com, site visited Dec. 13, 2021, URL: <https://www.amazon.com/Traxxas-Raptor-Slash-GOODRICH-Wheels/dp/B00ERU9RN0> (Year: 2018).*

(Continued)

Primary Examiner — Eric L Goodman

Assistant Examiner — Sarah L Smith

(74) *Attorney, Agent, or Firm* — Daryl R. Wright; Greg Carr

(57) **CLAIM**

We claim the ornamental design for a model vehicle wheel,
as shown and described.

DESCRIPTION

FIG. 1 is an upper, left, front perspective view of a model
vehicle wheel;

FIG. 2 is a left side elevation view thereof;

FIG. 3 is a right side elevation view thereof;

FIG. 4 is a front plan elevation view thereof;

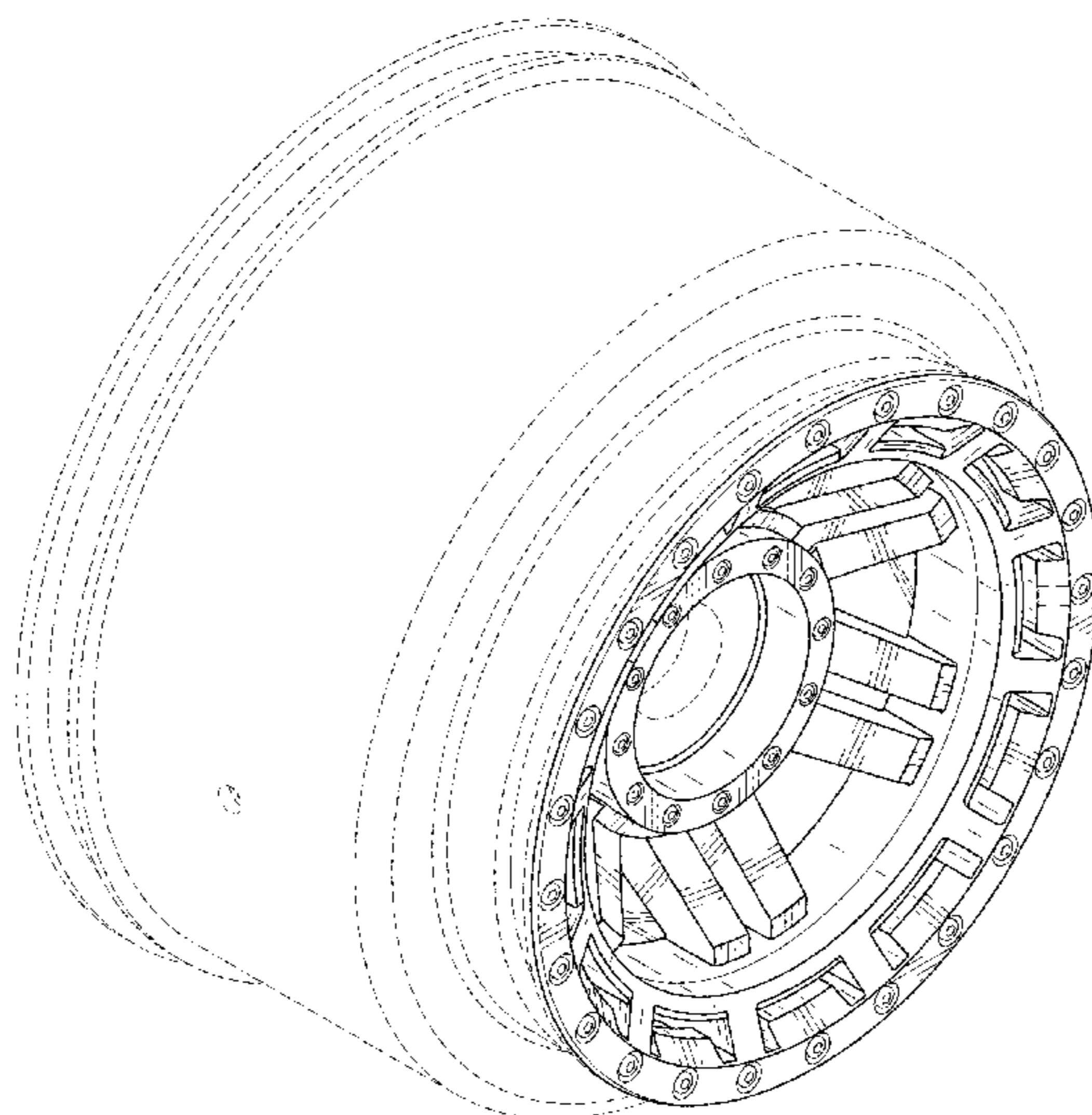
FIG. 5 is a top plan elevation view thereof; and,

FIG. 6 is an upper, left, front perspective environmental use
view of the model vehicle wheel.

In the drawings, the broken line showing of features of the
model vehicle wheel illustrate portions of the model vehicle
wheel that form no part of the claimed design; whereas, the
broken line showing of the environmental use view depicts
environmental subject matter and is provided for the pur-
poses of illustrating environmental use structure and context
and also forms no part of the claimed design.

In the drawings, only the front plan elevation view and top
plan elevation view of the model vehicle wheel are shown
for the purposes of illustrating the claimed model vehicle
wheel. The respective rear plan elevation view and bottom
plan elevation view are mirror images of their corresponding
front plan elevation view and top plan elevation view of the
model vehicle wheel and were not provided due to this
redundancy.

1 Claim, 6 Drawing Sheets



(58) **Field of Classification Search**
 CPC B60B 3/04; B60B 3/06; B60B 3/10; B60B
 1/00; B60B 1/08; B60B 1/10; B60B 1/12
 See application file for complete search history.

(56) **References Cited**

U.S. PATENT DOCUMENTS

D206,873 S 2/1967 Reid
 D207,951 S 6/1967 Hibbard
 D221,934 S 9/1971 Main et al.
 D223,534 S 5/1972 Reid
 D225,842 S 1/1973 Clement
 D226,376 S 2/1973 Main et al.
 D237,067 S 10/1975 Sandberg
 D285,676 S 9/1986 Clark
 D316,731 S 5/1991 Tsuchiya
 D420,637 S 2/2000 Glade
 6,089,671 A 7/2000 Iacovelli et al.
 D444,118 S 6/2001 Chung
 D459,689 S * 7/2002 Hieke B60B 7/04
 D12/211
 D466,067 S 11/2002 Muzzarelli
 D469,728 S 2/2003 Kataoka
 D470,449 S 2/2003 Bernoni
 D481,982 S 11/2003 Takechi
 D483,313 S 12/2003 Lenz
 D488,760 S 4/2004 Kato
 D492,234 S 6/2004 Kataoka
 D499,683 S 12/2004 Kushartanto
 D500,006 S 12/2004 Cahyono
 D504,650 S 5/2005 Ishiwata
 D513,218 S 12/2005 Fitzgerald
 D524,216 S 7/2006 Scheu
 D530,757 S 10/2006 Jones
 D534,968 S 1/2007 Proch
 D536,293 S 2/2007 Brouillette et al.
 D539,203 S 3/2007 Danbom et al.
 D542,729 S 5/2007 Hieke
 D543,493 S 5/2007 Kim
 D546,264 S 7/2007 Young
 D569,778 S 5/2008 Kim
 D570,758 S 6/2008 Bhambra
 D579,398 S 10/2008 Kim
 D583,292 S 12/2008 Chung
 D587,181 S 2/2009 Musser
 D590,315 S 4/2009 Chung
 D590,322 S 4/2009 Rak
 D597,012 S 7/2009 Chung
 D603,778 S 11/2009 Chung
 D614,108 S 4/2010 Varga
 D617,722 S 6/2010 Zhao
 D619,072 S 7/2010 Gallert
 D620,864 S 8/2010 Groom
 D627,698 S 11/2010 Zhang
 D628,135 S 11/2010 Zhao
 D633,028 S 2/2011 Kim
 D636,319 S 4/2011 Toth
 D639,220 S 6/2011 Zhao
 D639,221 S 6/2011 Johnson
 D662,868 S 7/2012 Furst et al.
 D663,668 S 7/2012 Pollmann
 D670,227 S 11/2012 Chung
 D671,875 S 12/2012 Camacho et al.
 D688,188 S 8/2013 Baum
 D697,008 S 1/2014 Juergens et al.
 D697,010 S 1/2014 Lorinser
 D719,893 S 12/2014 Kim
 D722,937 S 2/2015 Johnson
 D725,567 S 3/2015 George et al.
 D726,620 S 4/2015 Lickliter
 D727,822 S 4/2015 Wheel
 D727,829 S 4/2015 Chung
 D729,721 S 5/2015 Fahr-Becker
 D730,799 S 6/2015 Hans et al.
 D733,025 S * 6/2015 Chung D12/211
 D741,240 S 10/2015 Melabiotis et al.

D743,315 S 11/2015 Perini
 D753,048 S 4/2016 Chan
 D753,571 S 4/2016 Juergens et al.
 D769,169 S 10/2016 Kumeya et al.
 D769,785 S 10/2016 Wells
 D775,576 S * 1/2017 Liffick D12/211
 D780,654 S 3/2017 Gallert
 D780,656 S 3/2017 Bjerke
 D784,238 S 4/2017 Chu et al.
 D784,462 S 4/2017 Barajas et al.
 D787,407 S * 5/2017 Chung D12/211
 D788,670 S 6/2017 Chung
 D790,427 S 6/2017 Palana
 D791,057 S 7/2017 Johnson
 D791,668 S 7/2017 Murase
 D796,407 S 9/2017 Krause
 D797,029 S * 9/2017 Chung D12/211
 D799,394 S 10/2017 Yamashita
 D801,253 S 10/2017 Taylor
 D802,685 S * 11/2017 Barajas D21/562
 D803,130 S 11/2017 Taylor
 D805,455 S 12/2017 Kong
 D805,990 S 12/2017 Mizutani
 D806,628 S 1/2018 Schell et al.
 D810,648 S * 2/2018 Chung D12/209
 D828,462 S 9/2018 Sprowl
 D828,878 S 9/2018 Sprowl
 D829,152 S 9/2018 Caldwell
 D842,205 S 3/2019 Kraljevic
 D842,795 S 3/2019 Groth
 D845,861 S 4/2019 Tran
 D849,645 S 5/2019 Khachatryan
 D849,654 S * 5/2019 Kong D12/209
 D849,657 S * 5/2019 Kong D12/211
 D851,183 S * 6/2019 Wood D21/562
 D855,002 S * 7/2019 Ranum D12/211
 D856,249 S 8/2019 Haney
 D856,893 S 8/2019 Ramthun
 D862,612 S * 10/2019 Sprowl D21/563
 D865,080 S * 10/2019 Sprowl D21/563
 D865,621 S 11/2019 Han
 D887,938 S * 6/2020 Stone D12/209
 D889,565 S * 7/2020 Sprowl D21/563
 D889,566 S * 7/2020 Ewing D21/563
 D896,151 S 9/2020 Piscitelli
 D896,725 S 9/2020 Valencia Pollex
 D897,452 S 9/2020 Lin
 D902,821 S * 11/2020 Lickliter D12/209
 D902,822 S 11/2020 Carbis et al.
 D906,938 S * 1/2021 Sempek D12/211
 D913,894 S * 3/2021 Lee D12/209
 D917,368 S * 4/2021 Kaneko D12/211
 D921,772 S * 6/2021 Hagler D21/561
 D921,773 S * 6/2021 Hagler D21/561
 D922,295 S 6/2021 Grand et al.
 D926,099 S 7/2021 Yeh
 D926,265 S * 7/2021 Ewing D21/563
 D930,087 S * 9/2021 Barajas D21/562
 D933,571 S 10/2021 Patel
 D936,556 S * 11/2021 Sempek D12/211
 D938,528 S * 12/2021 Lin D21/548
 2007/0018496 A1 * 1/2007 McCorquodale B60B 7/04
 301/37.11
 2017/0080350 A1 3/2017 Allmendinger et al.
 2020/0247179 A1 8/2020 Christensen et al.

FOREIGN PATENT DOCUMENTS

DE 402017100863-0001 * 7/2018
 EM 005817137-0004 * 11/2018
 GB 9007076641-0001 10/2019
 JP D1642070 9/2019
 TW D114104 S 12/2006
 TW D141989 S 8/2011

(56)

References Cited

FOREIGN PATENT DOCUMENTS

TW	D143556 S	11/2011
WO	2021046302 A1	3/2021

OTHER PUBLICATIONS

Andy Dunkin, "Great tires for the money," Apr. 12, 2019 (review with photo), amazon.com, site visited Dec. 13, 2021, URL: https://www.amazon.com/Traxxas-Goodrich-Terrain-Pre-Glued-Beadlock-Style/dp/B002U5BPPM/ref=sr_1_49?keywords=traxxas+maxx+tires&qid=1639427729&sr=8-49 (Year: 2019).*

Rick, "Great wheels!" Jan. 24, 2019 (review with photo), amazon.com, site visited Dec. 14, 2021, URL: <https://www.amazon.com/dp/B07MH4GW4G/?th=1> (Year: 2019).*

KMD XD Series XD228 Machete Desert Beadlock Machined Custom Wheels Rims; <http://www.customwheelsexpress.com/custom-wheels-by-brand-xd-series-by-kmc-kmc-xd-series-xd228-machete-desert-beadlock-machined-custom-wheels-rims-p-2930.html>; Aug. 2016.

MSA M21 LOK (Beadlock); <https://msawheels.com/wheels/m21-lok/>; Aug. 2016.

OMF Performance Products; Beadlocked Wheels; https://www.omfperformance.com/beadlocked_wheels_uq.php; Aug. 2016.

Taiwan IPO Search Report; completed Aug. 4, 2016; regarding Taiwan Design Patent Application No. 105301436.

"Hot Rods by Boyd," Apr. 13, 2015, facebook.com, site visited Dec. 14, 2021, URL: <https://www.facebook.com/HOTRODSBYBOYD/photos/810287932358862> (Year: 2015).

Dave Arnouts, "This LT-Powered 1957 Chevy Built By BRP HotRods Is More Than Cool," Oct. 13, 2017, chevyhardcore.com, site visited Dec. 14, 2021, URL: <https://www.chevyhardcore.com/news/this-lt-powered-1957-chevy-built-by-brp-hotrods-is-more-than-cool/> (Year: 2017).

"Traxxas 8472 Desert Racer Wheels," May 16, 2018, amazon.ca, site visited Dec. 14, 2021, URL: https://www.amazon.ca/Traxxas-8472-Desert-Wheels-Bfgoodrich/dp/B07B6TS9B2/ref=sr_1_75?keywords=traxxas+wheels&qid=1639489322&sr=8-75 (Year: 2018).

"Hot Rods by Boyd," Aug. 26, 2019, facebook.com, site visited Dec. 14, 2021, URL: <https://www.facebook.com/HOTRODSBYBOYD/photos/2365060463548260> (Year: 2019).

* cited by examiner

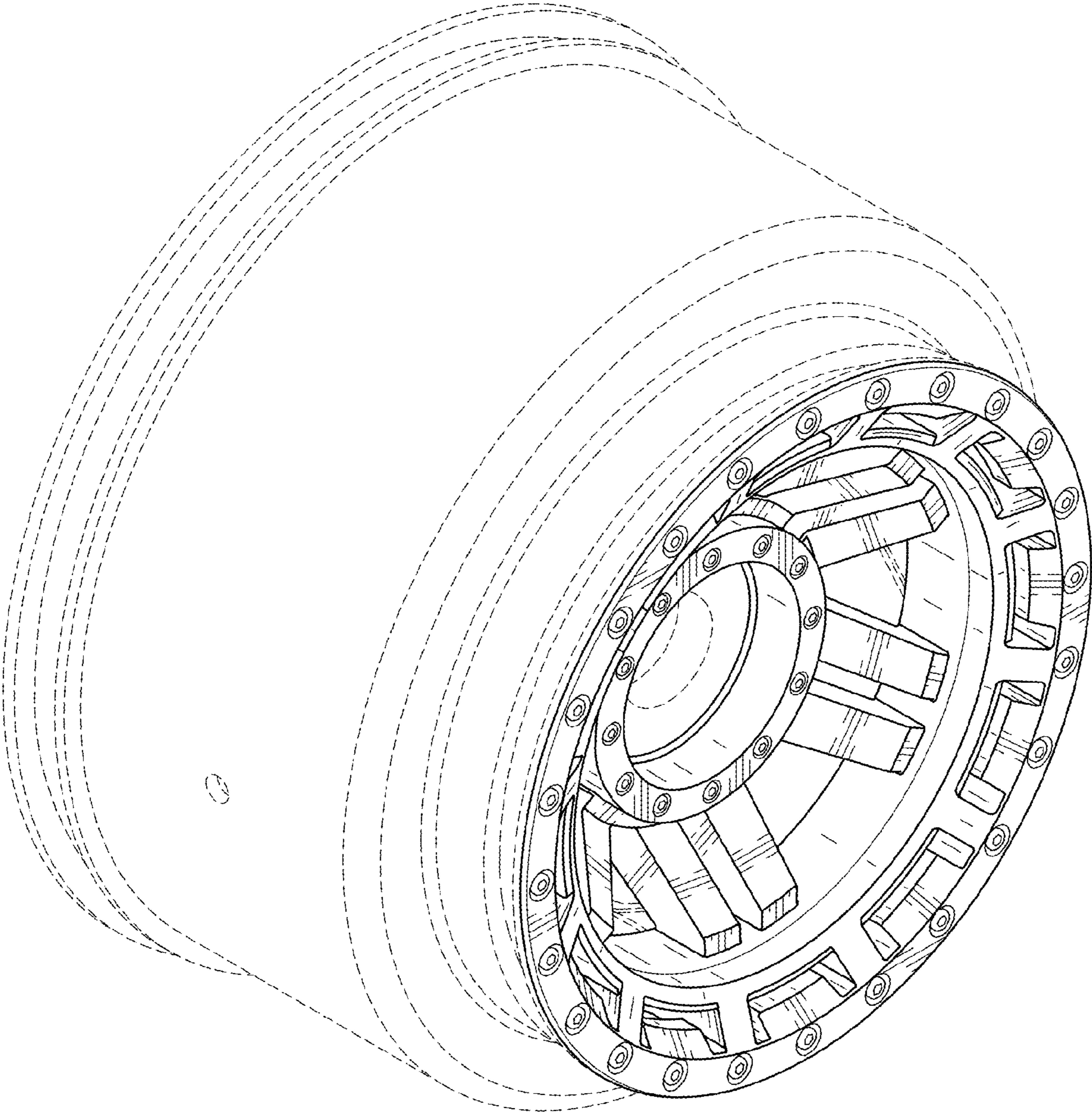


FIG. 1

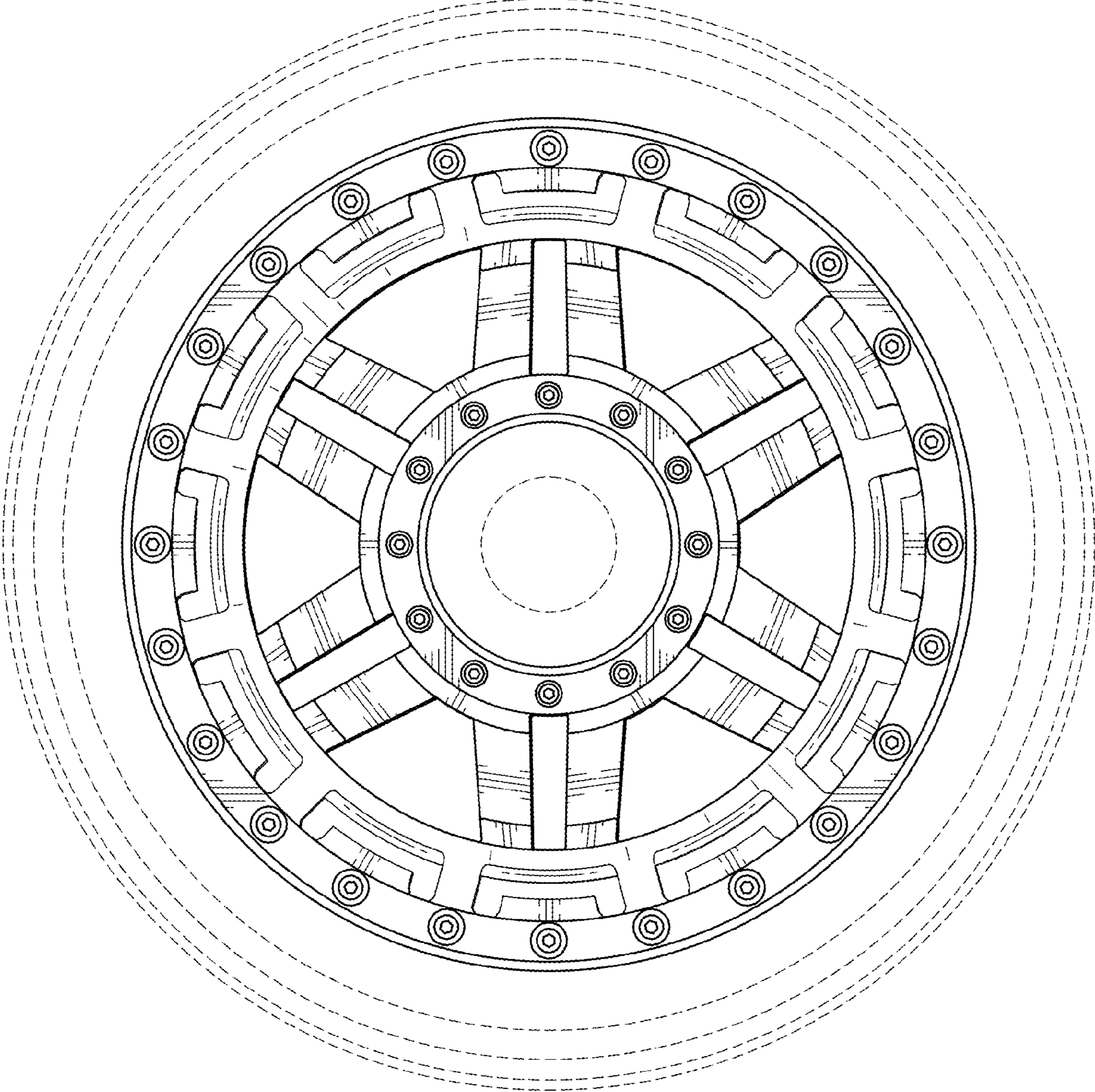


FIG. 2

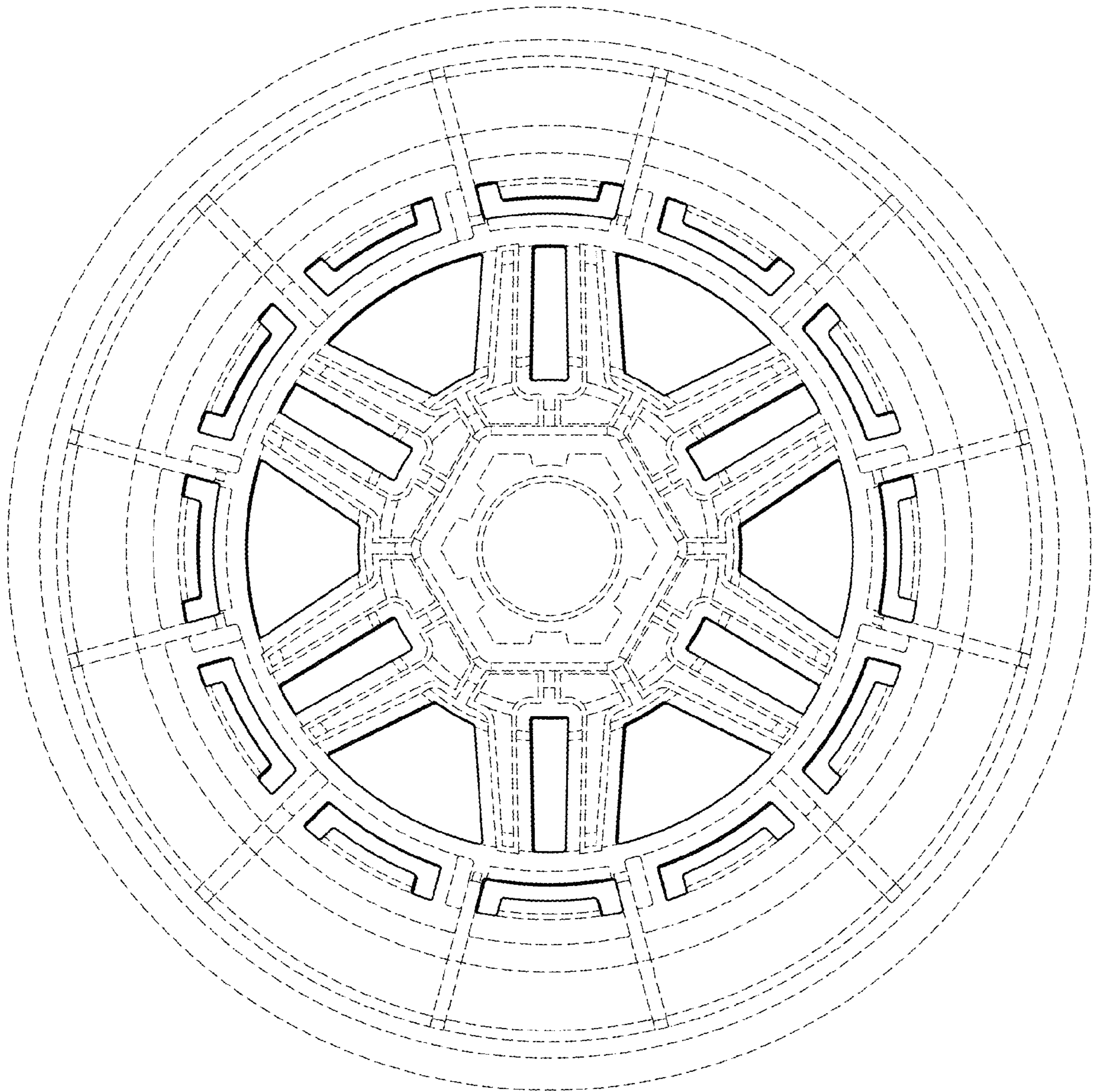


FIG. 3

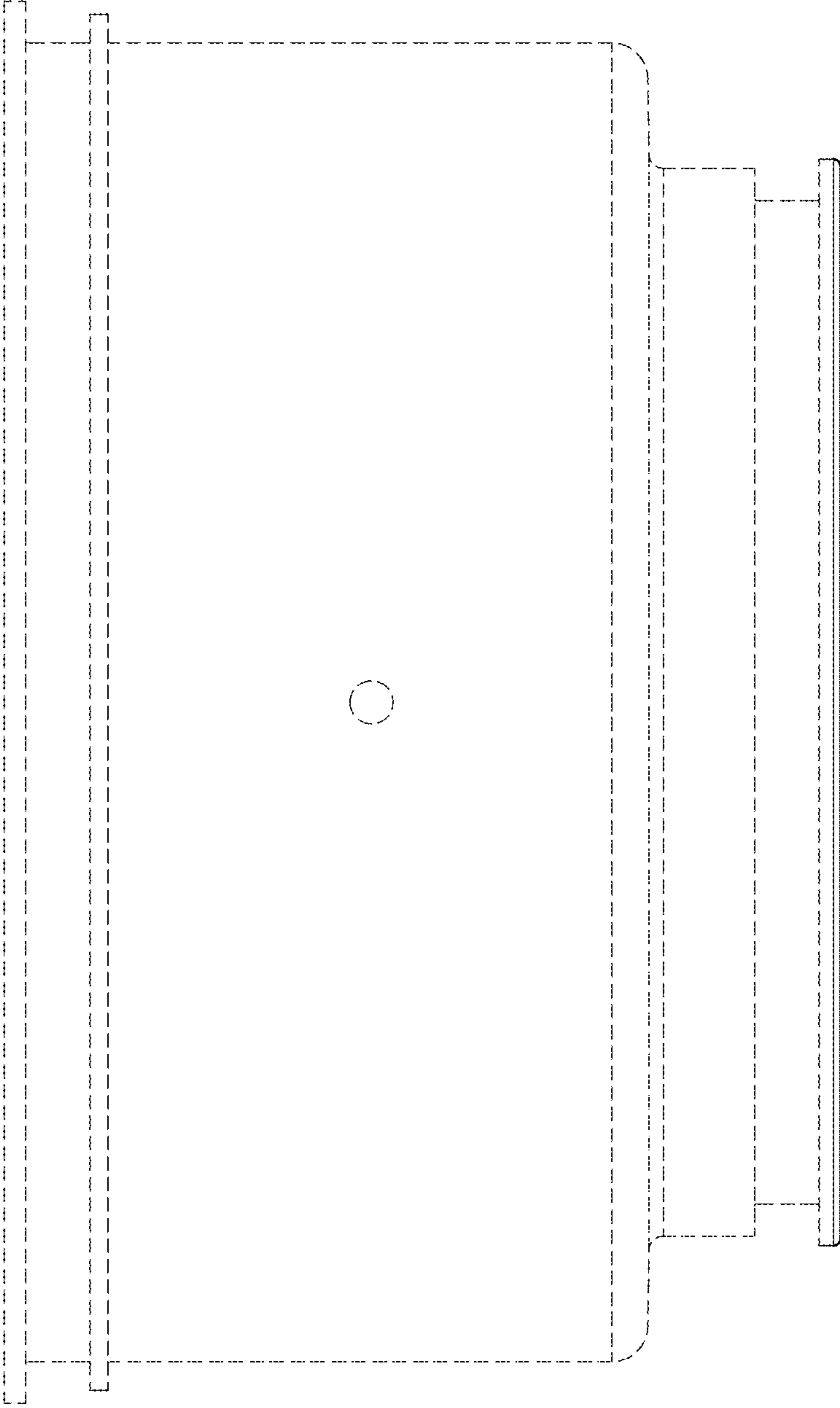


FIG. 4

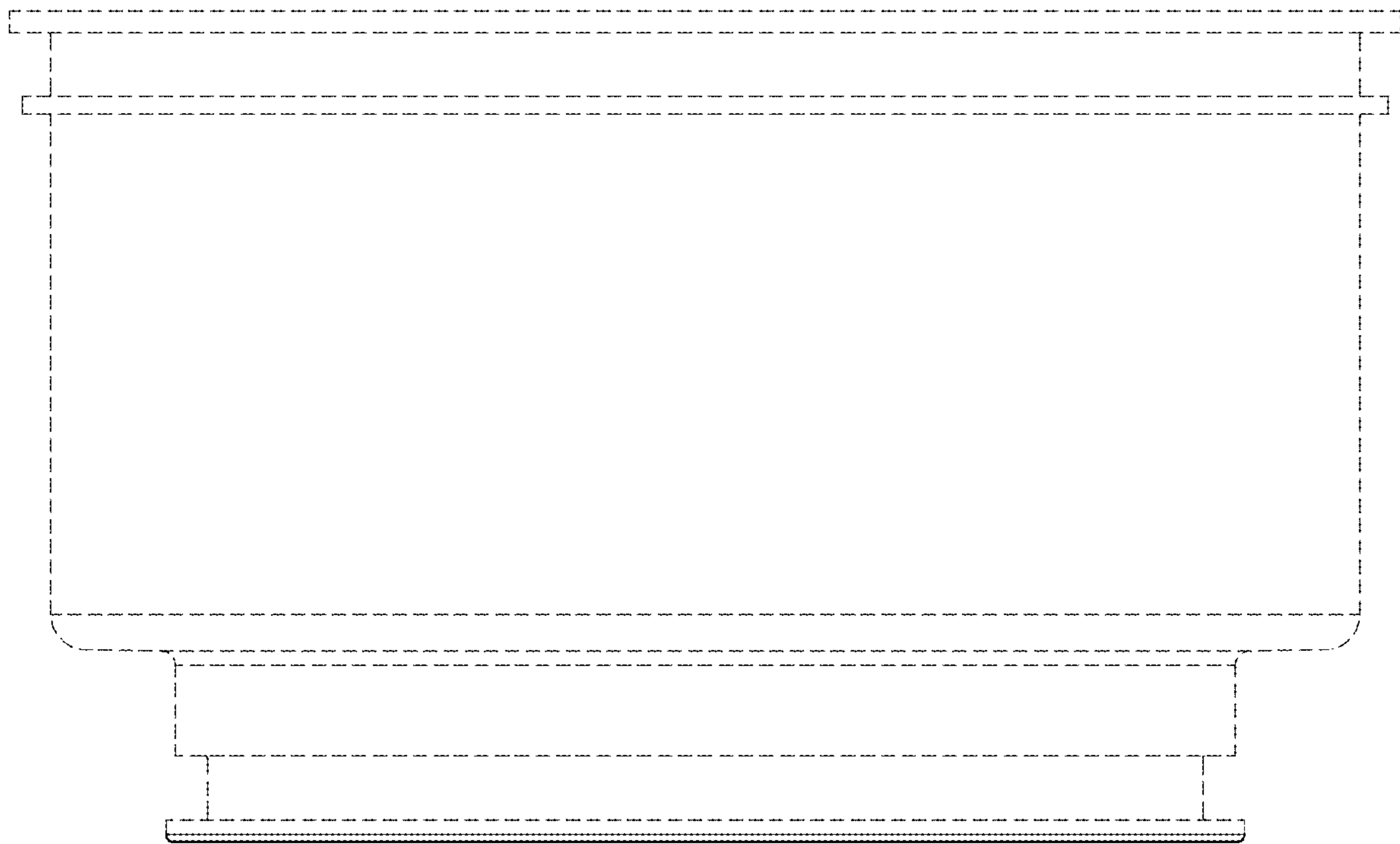


FIG. 5

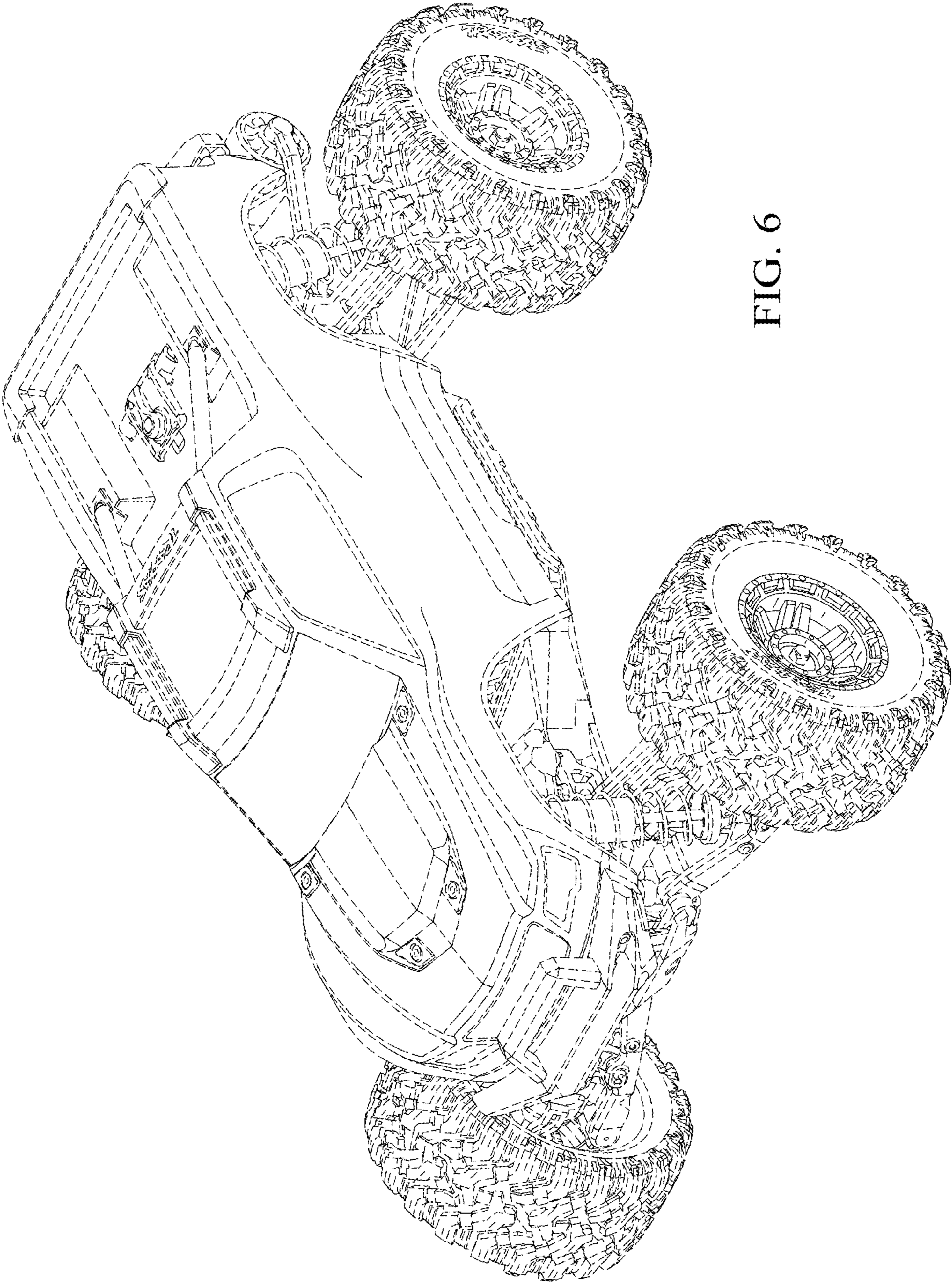


FIG. 6