

US00D949980S

(12) **United States Design Patent** (10) **Patent No.:** **US D949,980 S**
Wozniak (45) **Date of Patent:** **** Apr. 26, 2022**

(54) **REMOTE CONTROL CAR**

FOREIGN PATENT DOCUMENTS

(71) Applicant: **MerchSource, LLC**, Irvine, CA (US)

CN 302300585 * 1/2013
CN 302436175 * 5/2013

(72) Inventor: **Leonard Wozniak**, Santa Monica, CA (US)

(Continued)

(73) Assignee: **MerchSource, LLC**, Irvine, CA (US)

OTHER PUBLICATIONS

(**) Term: **15 Years**

1/72 Epoch Capsule Mtech Nissan Skyline GT-R 2000 KPGC110 White diecast model, announced Jan. 23, 2020 [Online], [Site Visited Mar. 4, 2020] Available From Internet, URL: <https://www.ebay.com/my/itm/1-72-Epoch-Capsule-MTECH-NISSAN-SKYLINE-GT-R-2000-KPGC110-WHITE-diecast-model/274220732458?has> (Year: 2020).*

(21) Appl. No.: **29/676,850**

(22) Filed: **Jan. 15, 2019**

(51) **LOC (13) Cl.** **21-01**

(Continued)

(52) **U.S. Cl.**

USPC **D21/549**

(58) **Field of Classification Search**

USPC D21/433, 483, 533-562, 495, 580, 581;
D12/82, 86, 90, 92; 446/431, 471,
446/454-456

CPC B62D 25/00; B62D 35/00; A63H 17/262;
A63H 17/00; A63H 17/395; A63H 17/38;
A63H 17/26; A63H 17/28; A63H 17/002;
A63H 30/00; A63H 30/04

See application file for complete search history.

Primary Examiner — Cynthia M. Chin

(74) *Attorney, Agent, or Firm* — Avyno Law P.C.

(57)

CLAIM

I claim the ornamental design for a remote control car, as shown and described.

DESCRIPTION

FIG. 1 is a front perspective view of a remote control car. FIG. 2 is a rear perspective view of the remote control car of FIG. 1.

FIG. 3 is a front view of the remote control car of FIG. 1. FIG. 4 is a back of the remote control car of FIG. 1.

FIG. 5 is a side view of the right side of the remote control car of FIG. 1.

FIG. 6 is a side view of the left side of the remote control car of FIG. 1.

FIG. 7 is a top view of the remote control car of FIG. 1; and, FIG. 8 is a bottom view of the remote control car of FIG. 1.

The broken lines shown are included for the purpose of illustrating portions of the article which form no part of the claimed design.

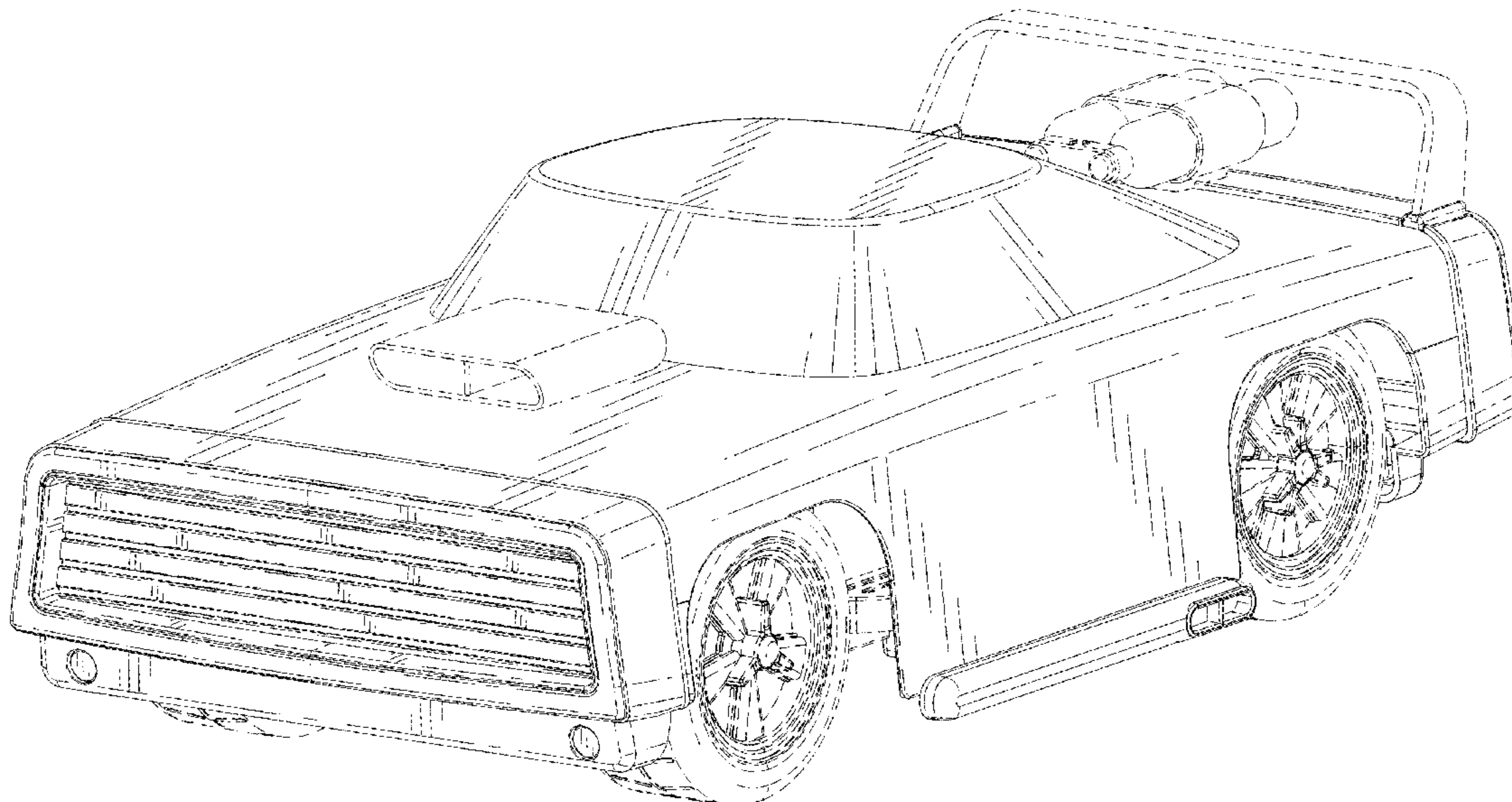
(56) **References Cited**

U.S. PATENT DOCUMENTS

2,386,745 A * 10/1945 Yarbrough A63H 17/38
446/468
3,653,149 A * 4/1972 Prodger A63H 17/26
446/471
D224,744 S * 9/1972 Spiegel D21/548
D283,808 S * 5/1986 Strosek D12/92
D455,102 S * 4/2002 Crijns D12/92
D530,379 S * 10/2006 Riehlman D21/424
D539,191 S * 3/2007 Castiglione D12/92
D550,786 S * 9/2007 Yuen D21/548
D560,557 S * 1/2008 Kulla D12/92

(Continued)

1 Claim, 7 Drawing Sheets



(56)

References Cited

U.S. PATENT DOCUMENTS

D591,611 S * 5/2009 Wilburn D21/549
 D603,839 S * 11/2009 Willis D14/217
 D607,780 S * 1/2010 Larson D12/92
 D620,398 S * 7/2010 Abdallah D12/92
 D640,172 S * 6/2011 Furst D12/90
 D648,655 S * 11/2011 Bischoff D12/92
 D658,547 S * 5/2012 Abdallah D12/92
 D715,695 S * 10/2014 Kobayashi D12/92
 D722,535 S * 2/2015 Baudy D12/92
 D755,080 S * 5/2016 Vardis D12/92
 D755,081 S * 5/2016 Gale D12/92
 D838,321 S * 1/2019 Langberg D21/549
 D876,555 S * 2/2020 Barajas D21/548
 D881,075 S * 4/2020 Larson D12/92
 10,652,719 B2 * 5/2020 Cody A63H 17/36
 D891,532 S * 7/2020 Zhong D21/548
 D897,903 S * 10/2020 Scholz D12/92
 2002/0177384 A1 * 11/2002 Mankowski A63H 17/002
 446/465

FOREIGN PATENT DOCUMENTS

CN 302543648 * 8/2013
 CN 305531391 * 1/2020

OTHER PUBLICATIONS

Diecast 1970 Dodge Charger Street, announced Dec. 15, 2015 [Online], [Site Visited Mar. 4, 2020] Available From Internet, URL: <https://www.amazon.com/Jada-Toys-Fast-Furious-Diecast/dp/B00TYH7SIW/ref=sr_1_79?crid=2E6BRAHEC03YT&keywords=remote+control+muscle+car&qid=1583340843> (Year: 2015).*

Dodge Charger, announced Oct. 24, 2019 [Online], [Site Visited Mar. 4, 2020] Available from internet, URL:<https://www.amazon.com/Jada-Toys-Fast-Furious-Diecast/dp/B00TYH7SIW/ref=sr_1_79?crid=2E6BRAHEC03YT&keywords=remote+control+muscle+car&qid=1583340843&sprefix=Remote+Control+Muscle+%2Caps%2C136&sr=8-79> (Year: 2019).*

* cited by examiner

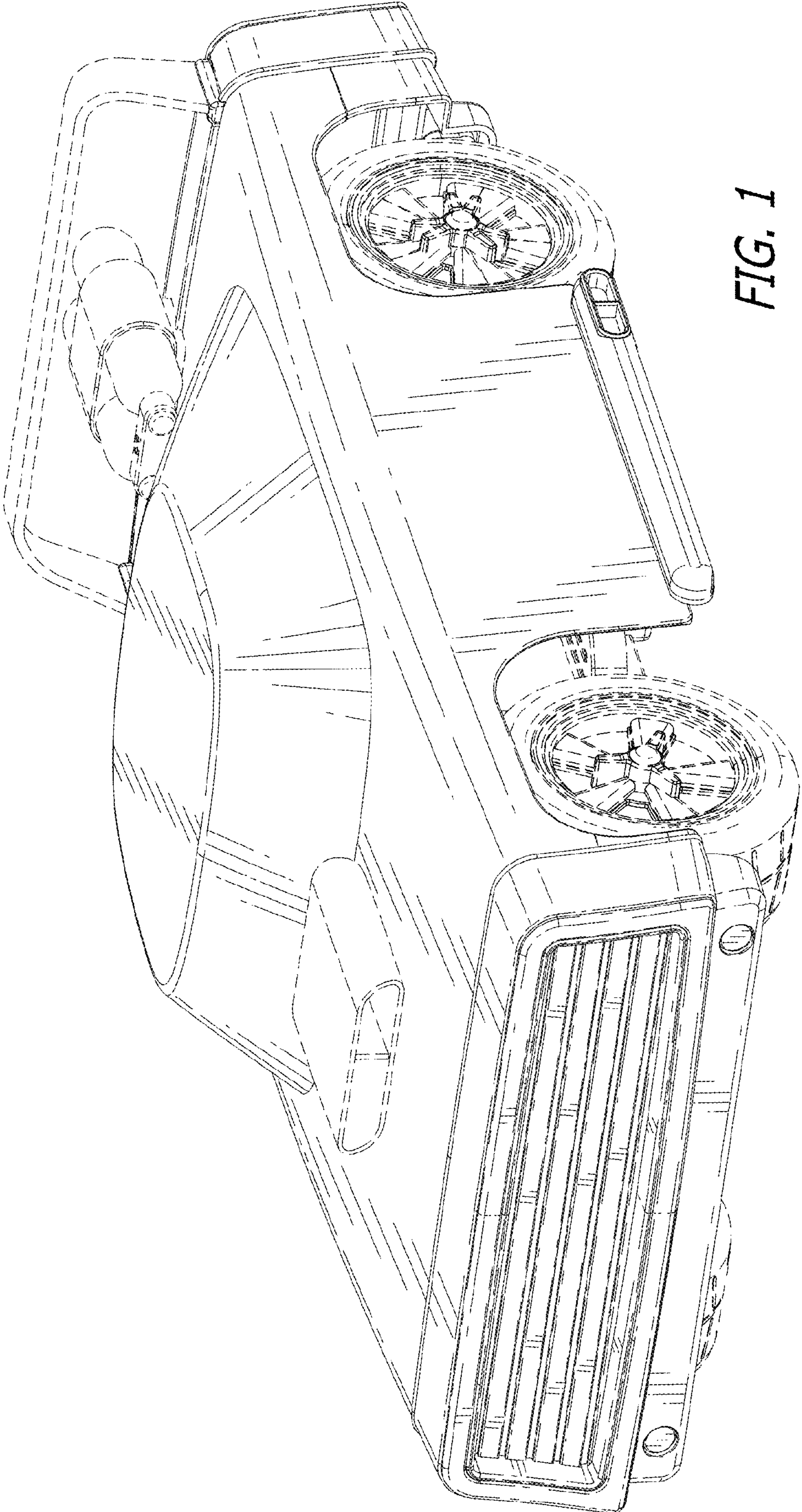


FIG. 1

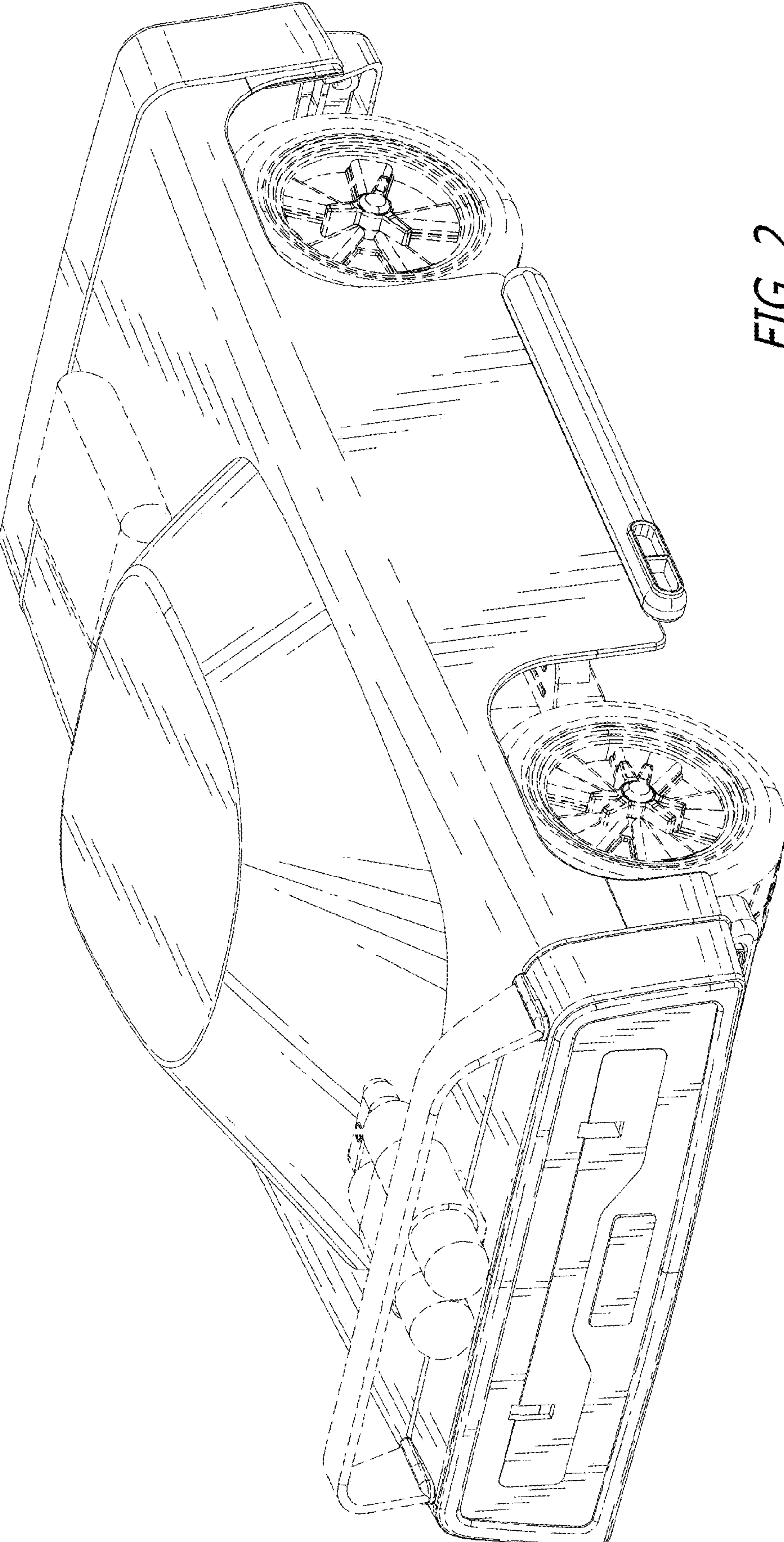


FIG. 2

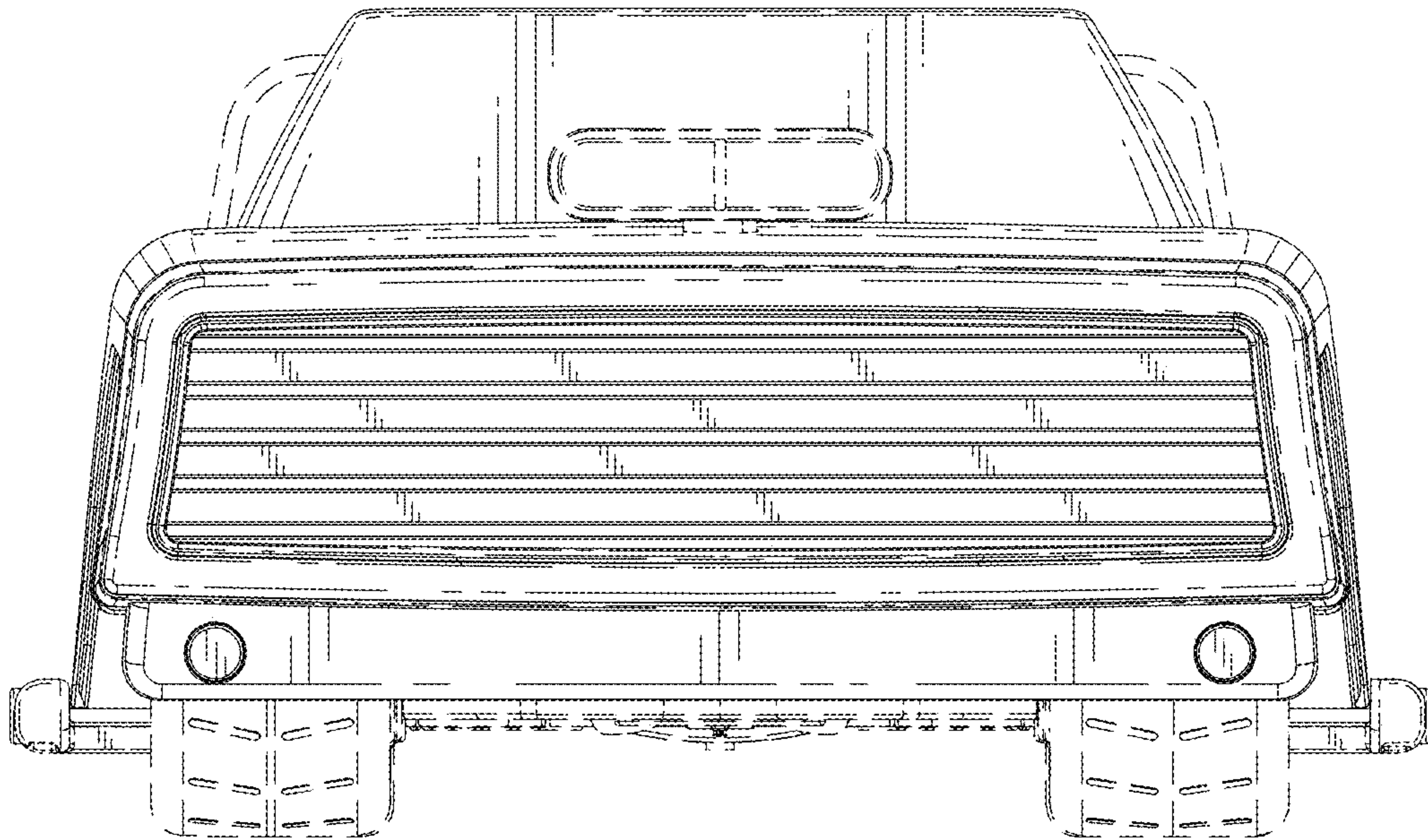


FIG. 3

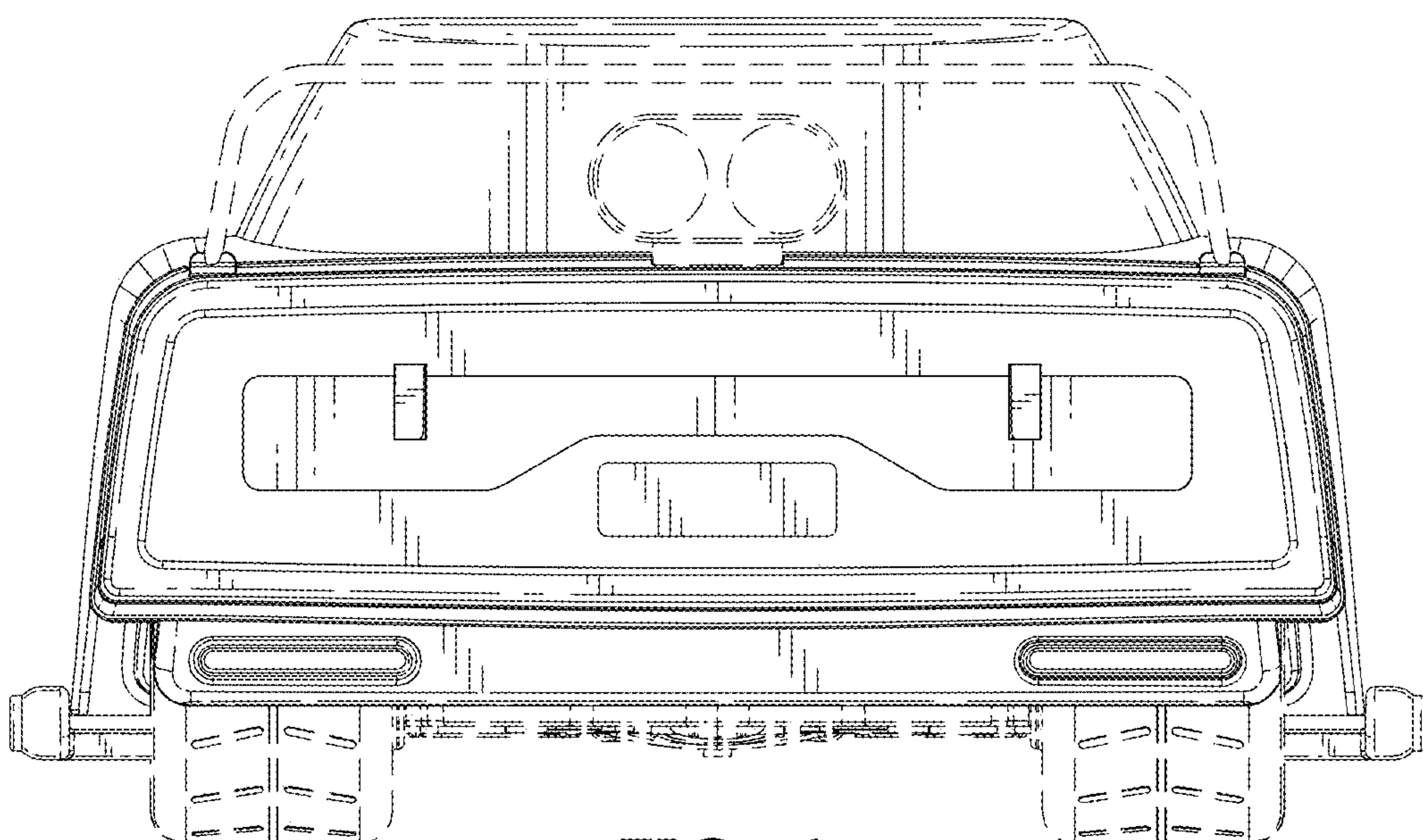


FIG. 4

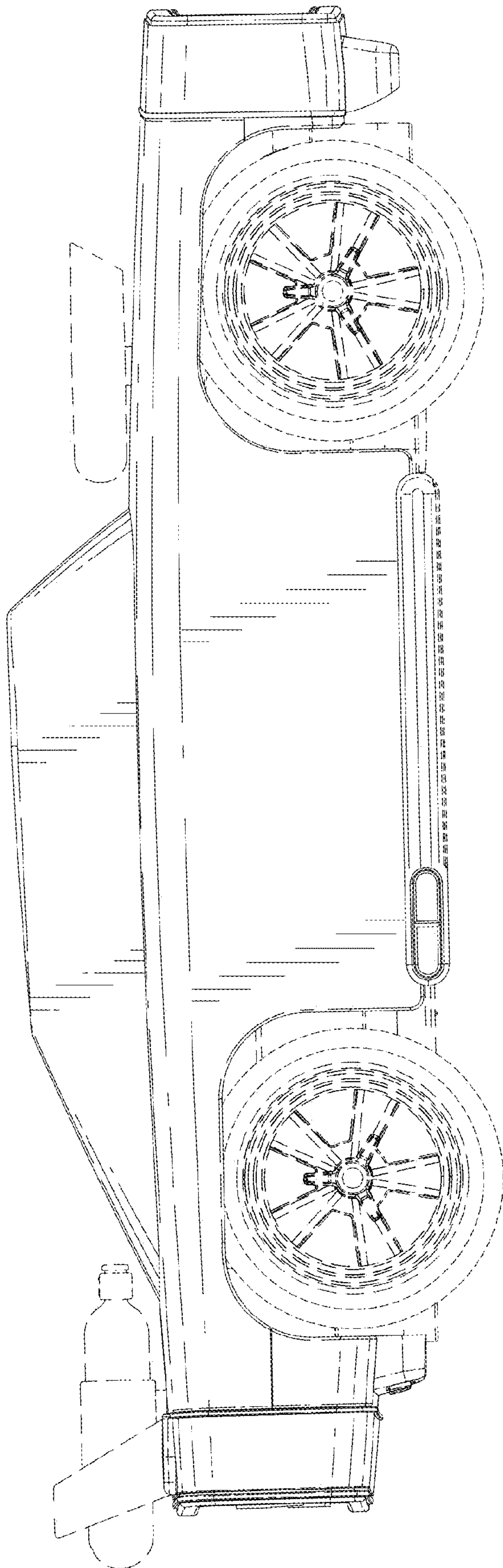


FIG. 5

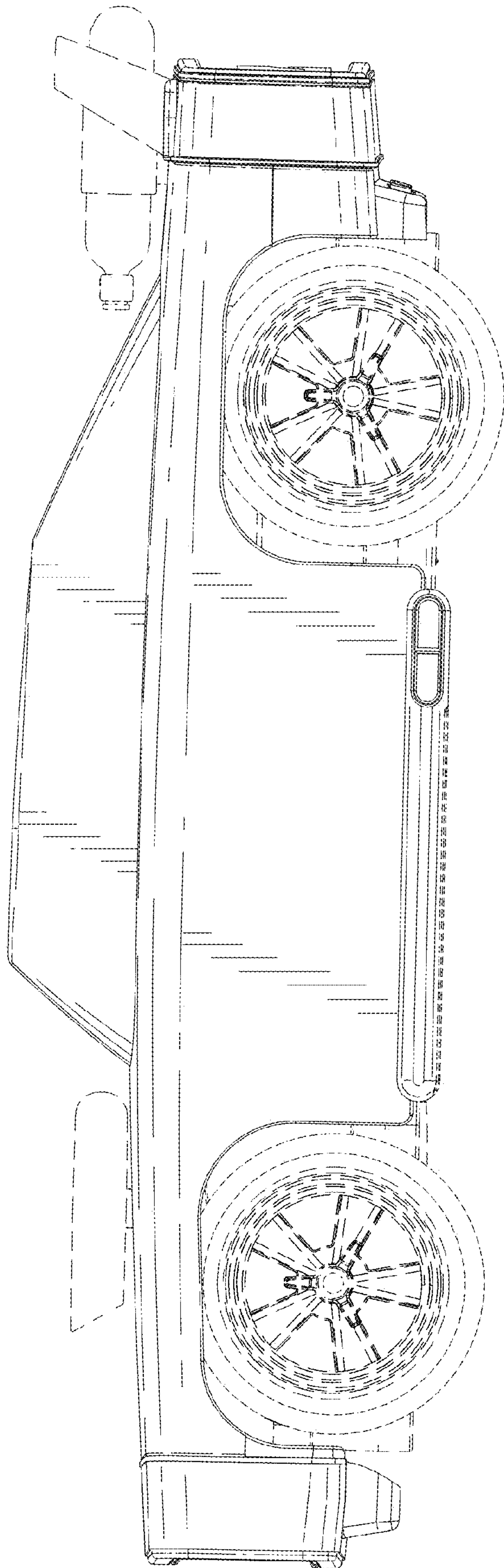


FIG. 6

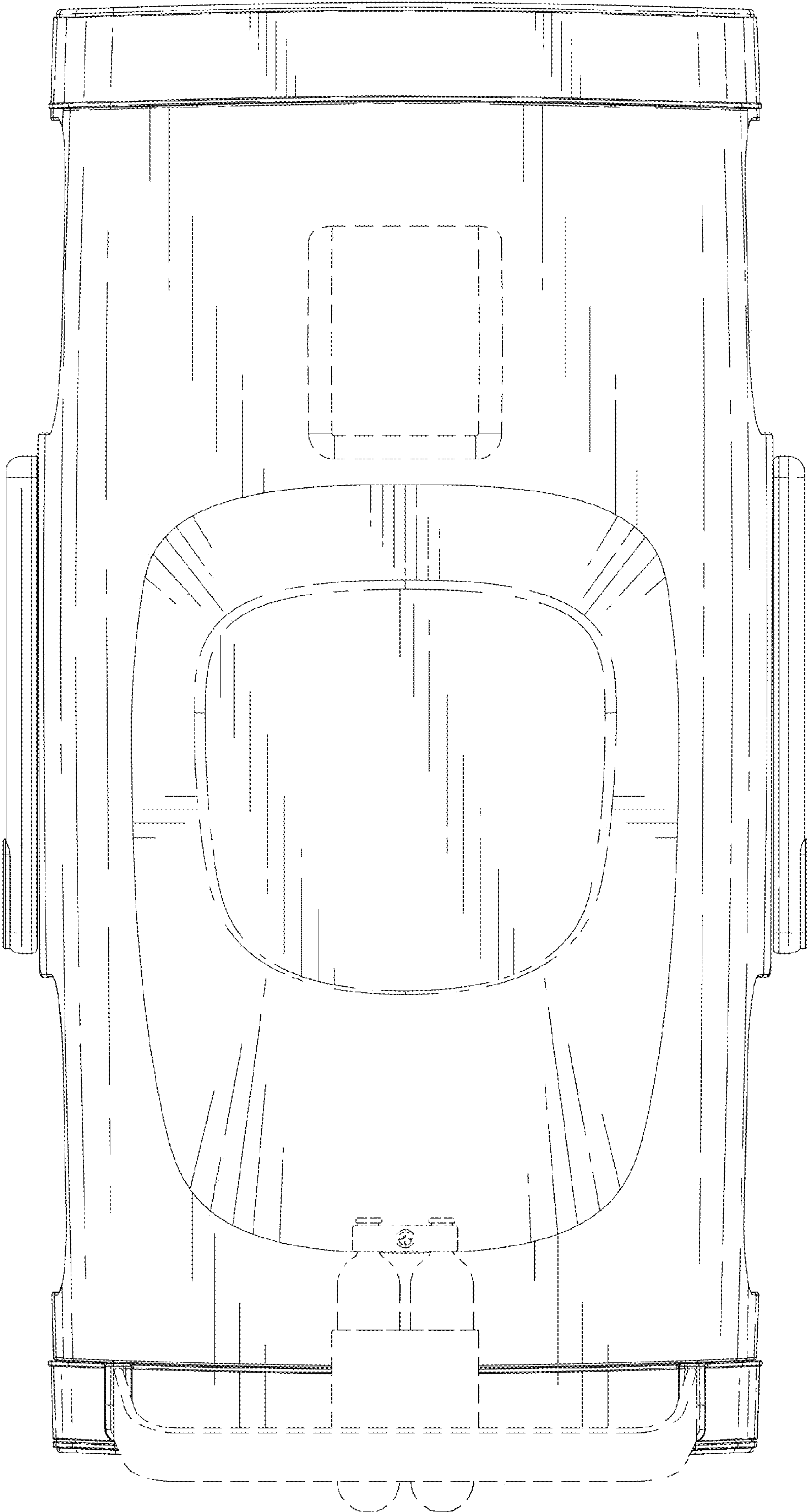


FIG. 7

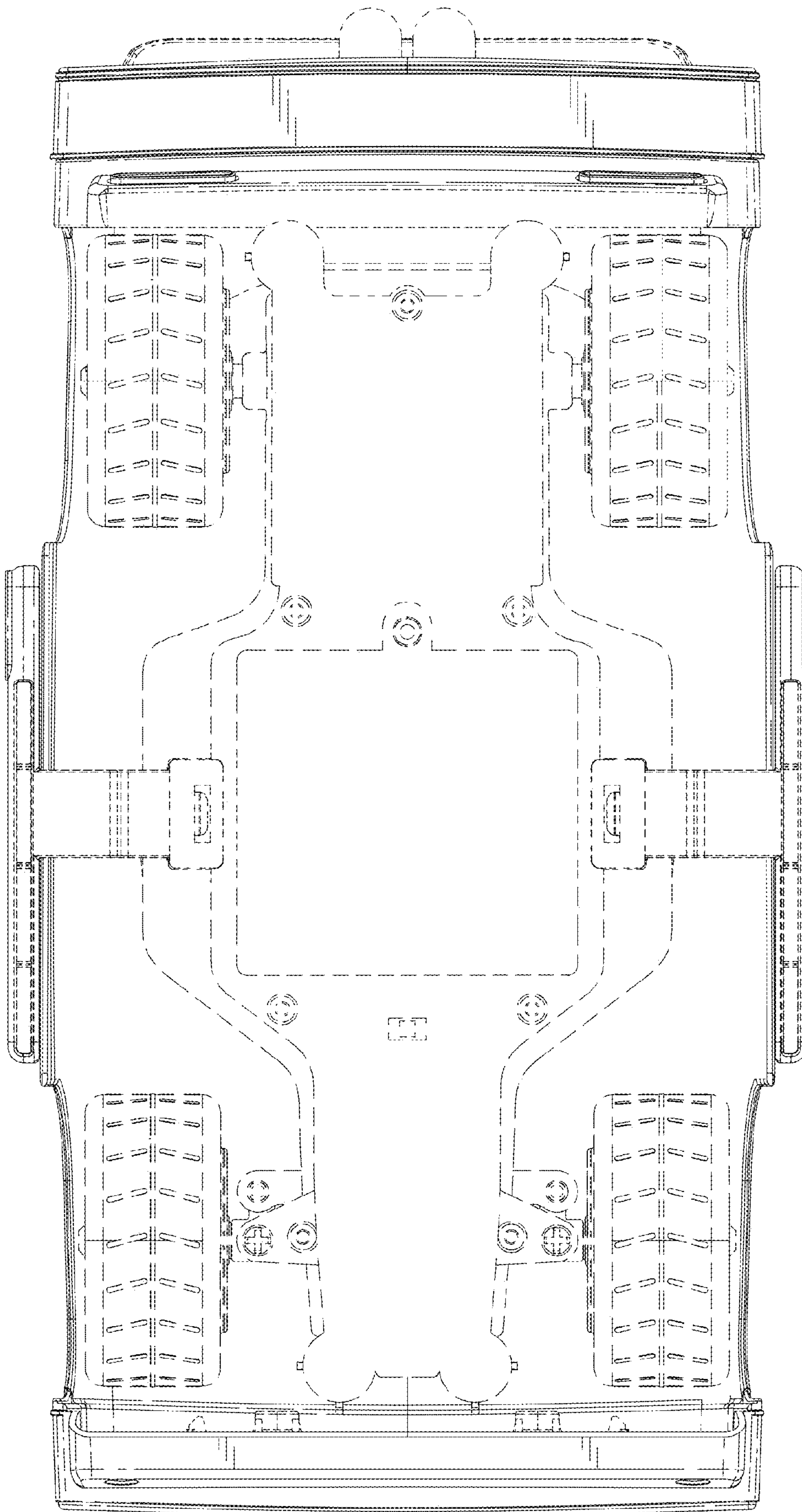


FIG. 8