



US00D949978S

(12) **United States Design Patent**
Heo

(10) **Patent No.:** **US D949,978 S**

(45) **Date of Patent:** **** Apr. 26, 2022**

(54) **TOY BLOCK**

(71) Applicant: **IRINGO CO., LTD**, Incheon (KR)

(72) Inventor: **In-Deok Heo**, Incheon (KR)

(73) Assignee: **IRINGO CO., LTD.**, Incheon (KR)

(**) Term: **15 Years**

(21) Appl. No.: **29/726,640**

(22) Filed: **Mar. 4, 2020**

(30) **Foreign Application Priority Data**

Sep. 5, 2019 (KR) 30-2019-0042950

(51) **LOC (13) Cl.** **21-01**

(52) **U.S. Cl.**
USPC **D21/487**; D21/488

(58) **Field of Classification Search**
USPC D21/484–505
CPC A63H 33/04; A63H 33/044; A63H 33/062;
A63H 33/06; A63H 33/065; A63H 33/08;
A63H 33/088; A63H 33/10; A63H
33/101; A63H 33/102; A63H 33/108
See application file for complete search history.

(56) **References Cited**

U.S. PATENT DOCUMENTS

D403,721 S * 1/1999 Bean D21/503
D420,062 S * 2/2000 Glickman D21/503
D437,895 S * 2/2001 Sorensen D21/504
6,702,642 B1 * 3/2004 Parein A63H 33/08
446/105
8,986,012 B1 * 3/2015 McGee A63H 33/08
434/211

D753,773 S * 4/2016 Kim D21/487
D857,124 S * 8/2019 Davies D21/621
D885,494 S * 5/2020 Zhang D21/487
D891,531 S * 7/2020 Zhang D21/488
2002/0106963 A1 * 8/2002 Chiu A63H 33/086
446/125
2006/0154556 A1 * 7/2006 Tong A63H 33/065
446/122
2009/0215357 A1 * 8/2009 Seligman A63H 33/042
446/127
2010/0210172 A1 * 8/2010 Worthington A63H 33/086
446/124

* cited by examiner

Primary Examiner — Cynthia M. Chin

(74) *Attorney, Agent, or Firm* — Novick, Kim & Lee,
PLLC; Sang Ho Lee; Hyun Woo Shin

(57) **CLAIM**

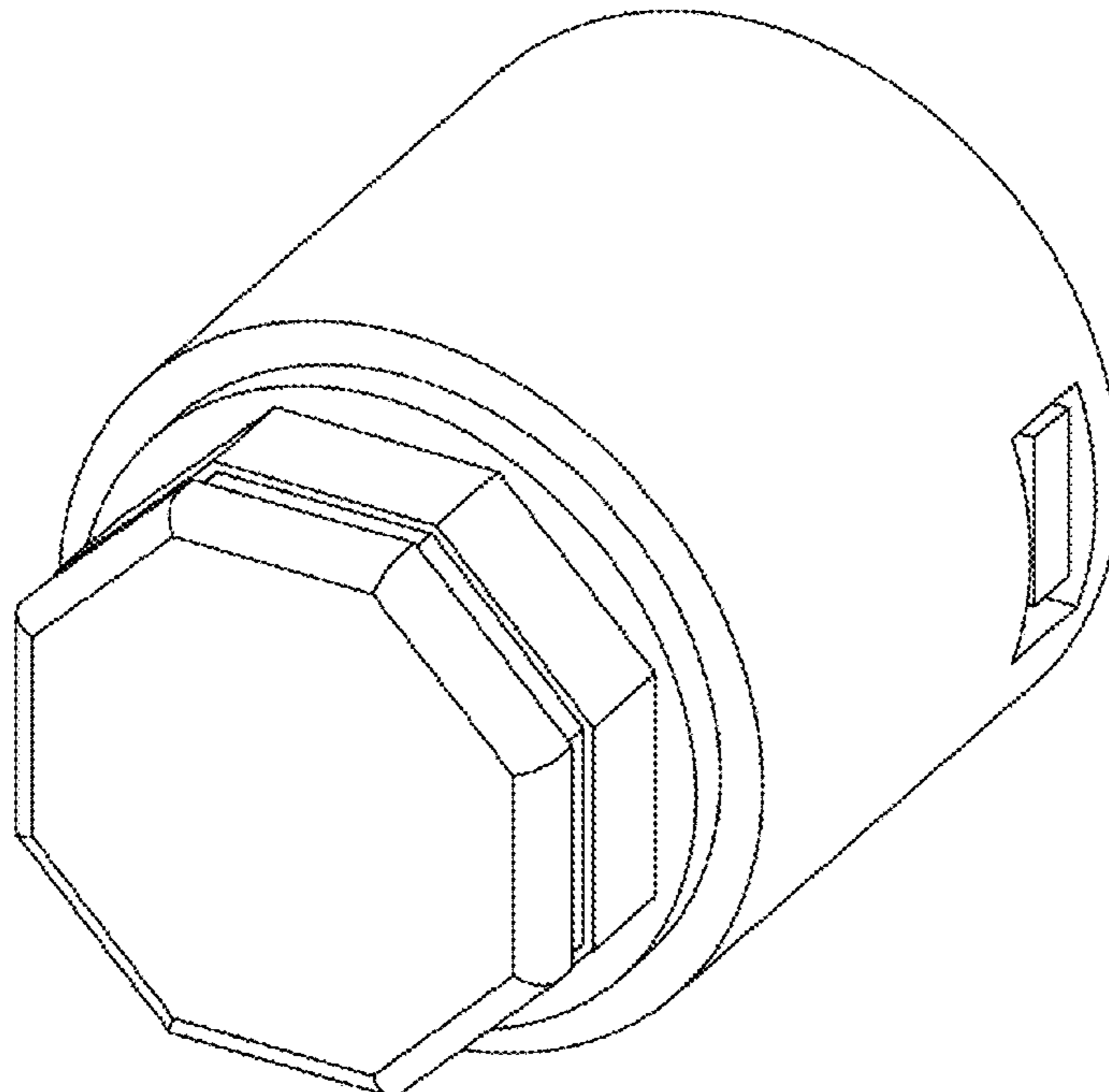
I claim the ornamental design for a toy block, as shown and described.

DESCRIPTION

FIG. 1 is a front perspective view of a toy block, showing my new design;
FIG. 2 is a front elevational view thereof;
FIG. 3 is a rear elevational view thereof;
FIG. 4 is a left side elevational view thereof;
FIG. 5 is a right side elevational view thereof;
FIG. 6 is a top plan view thereof;
FIG. 7 is a bottom plan view thereof;
FIG. 8 is a rear perspective view thereof; and,
FIG. 9 is a sectional view thereof taken along line 9-9 in FIG. 2.

The broken lines in the drawings show portions of the toy block that form no part of the claimed design.

1 Claim, 6 Drawing Sheets



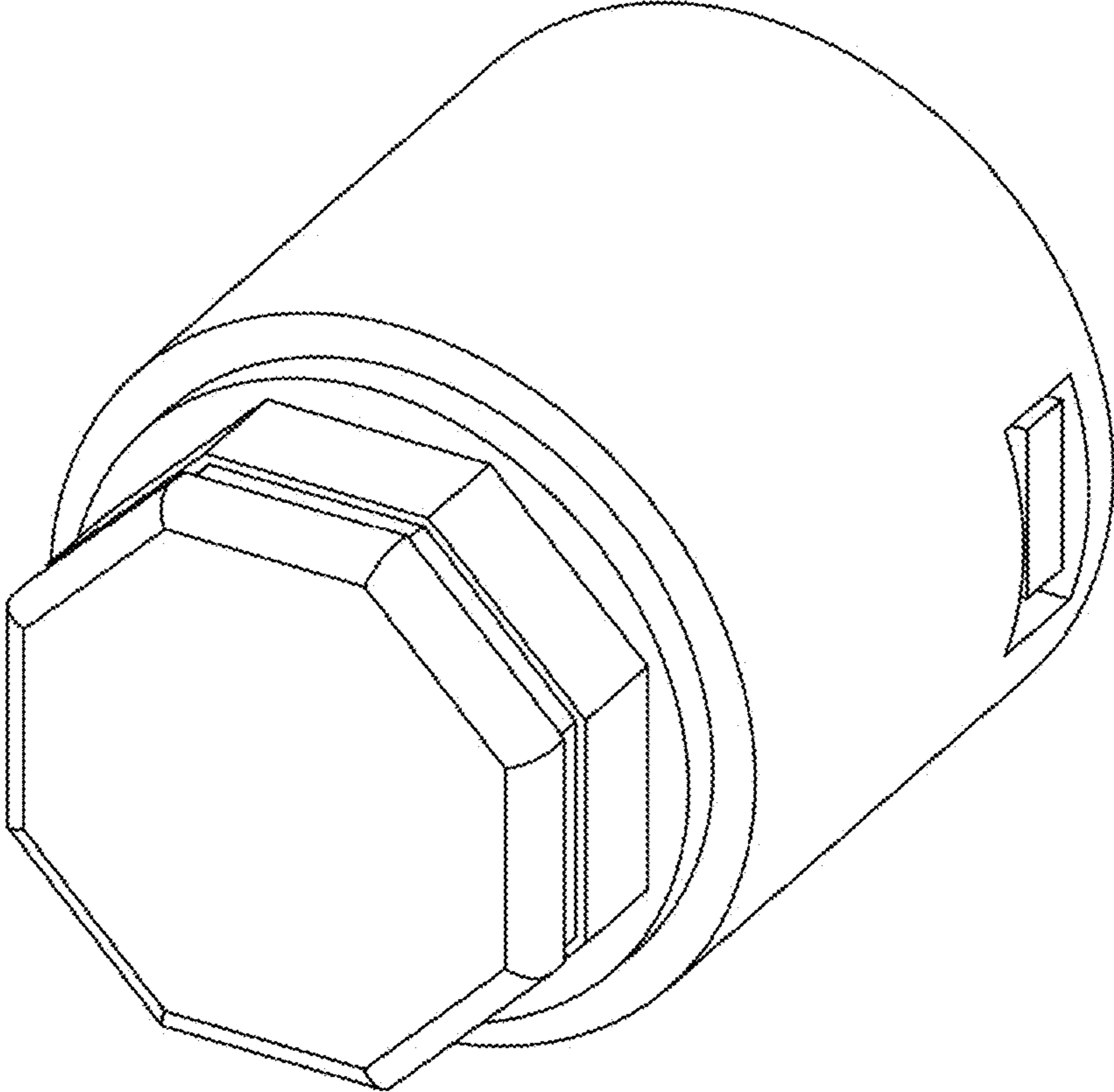


FIG. 1

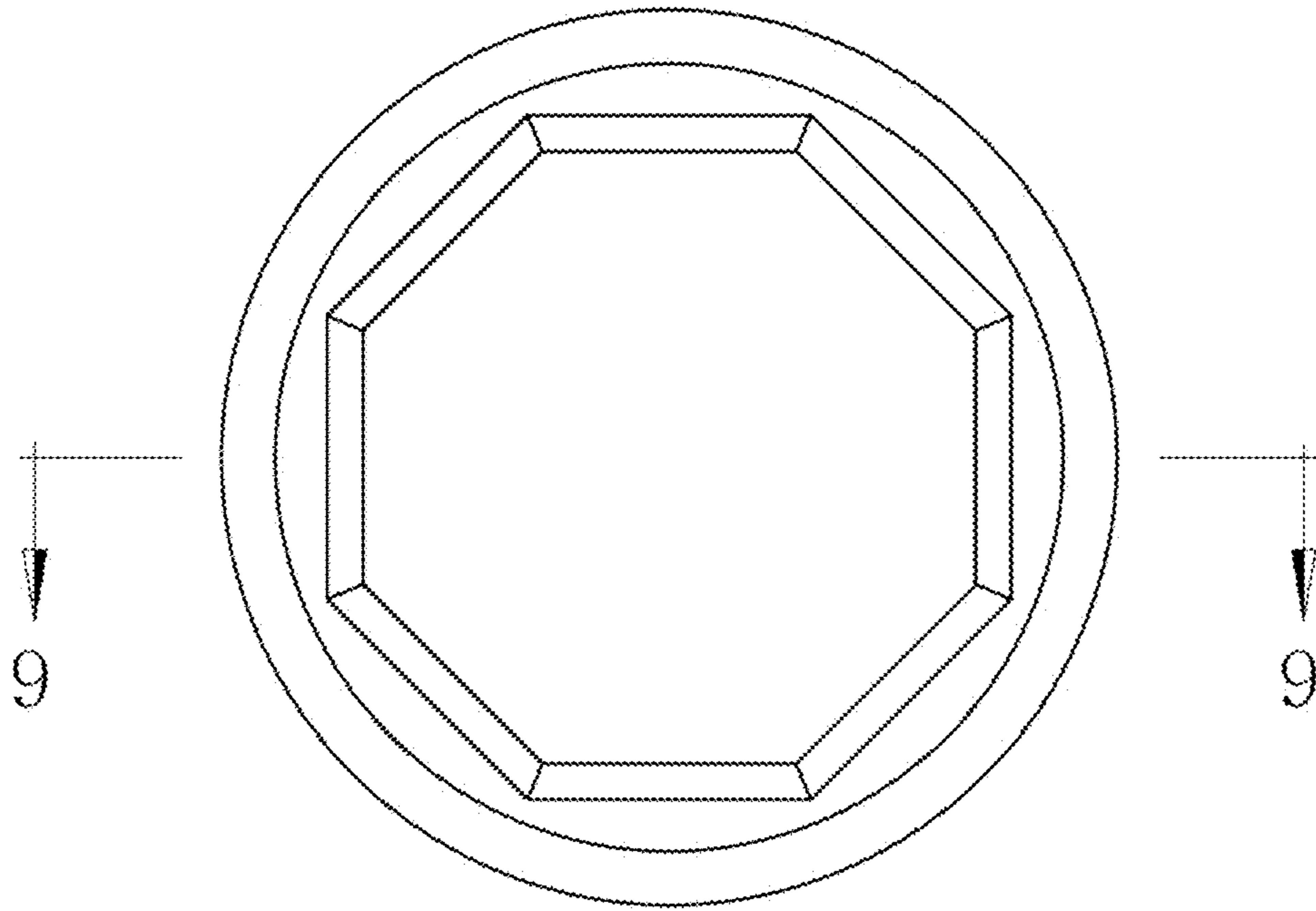


FIG. 2

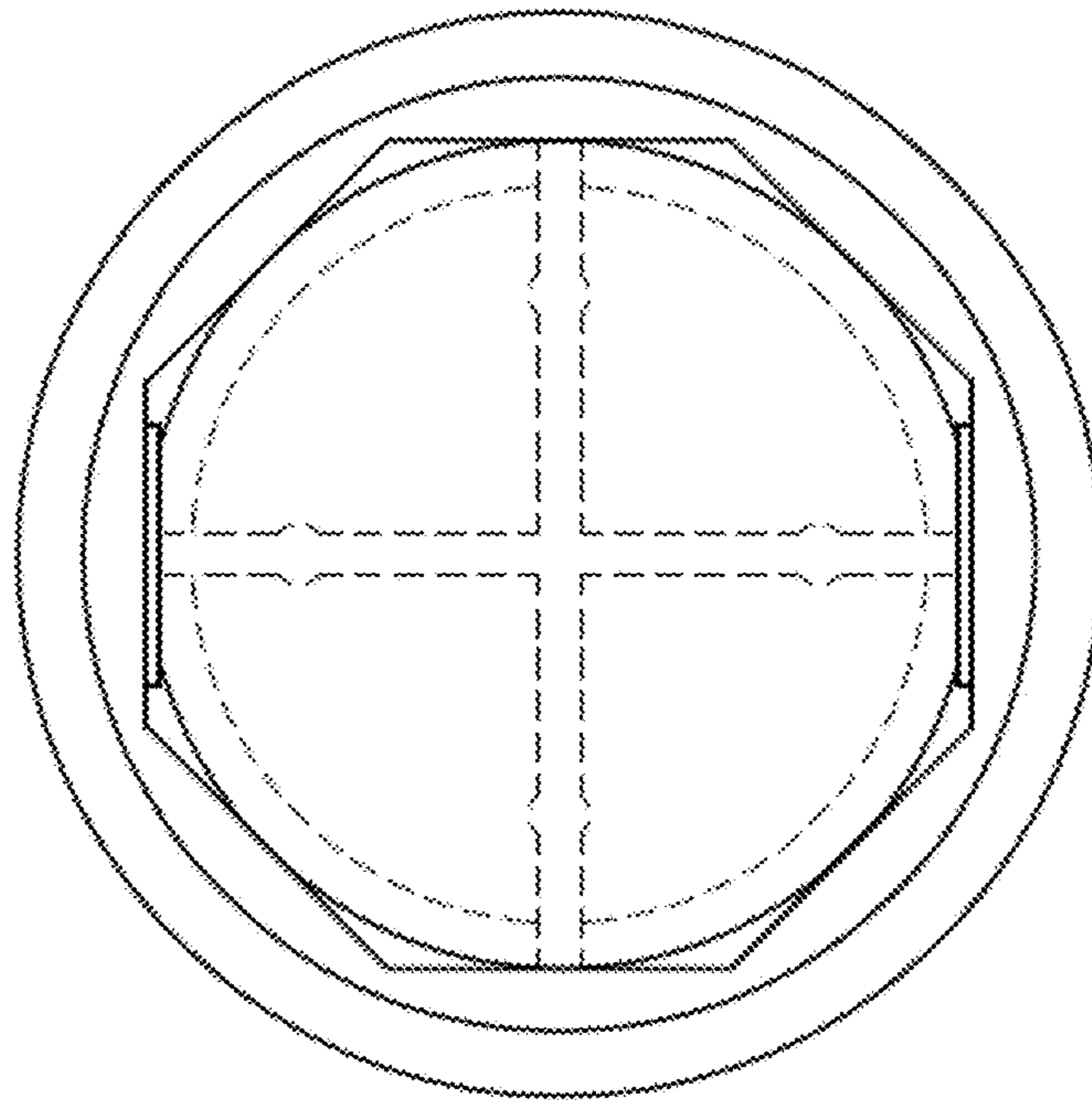


FIG. 3

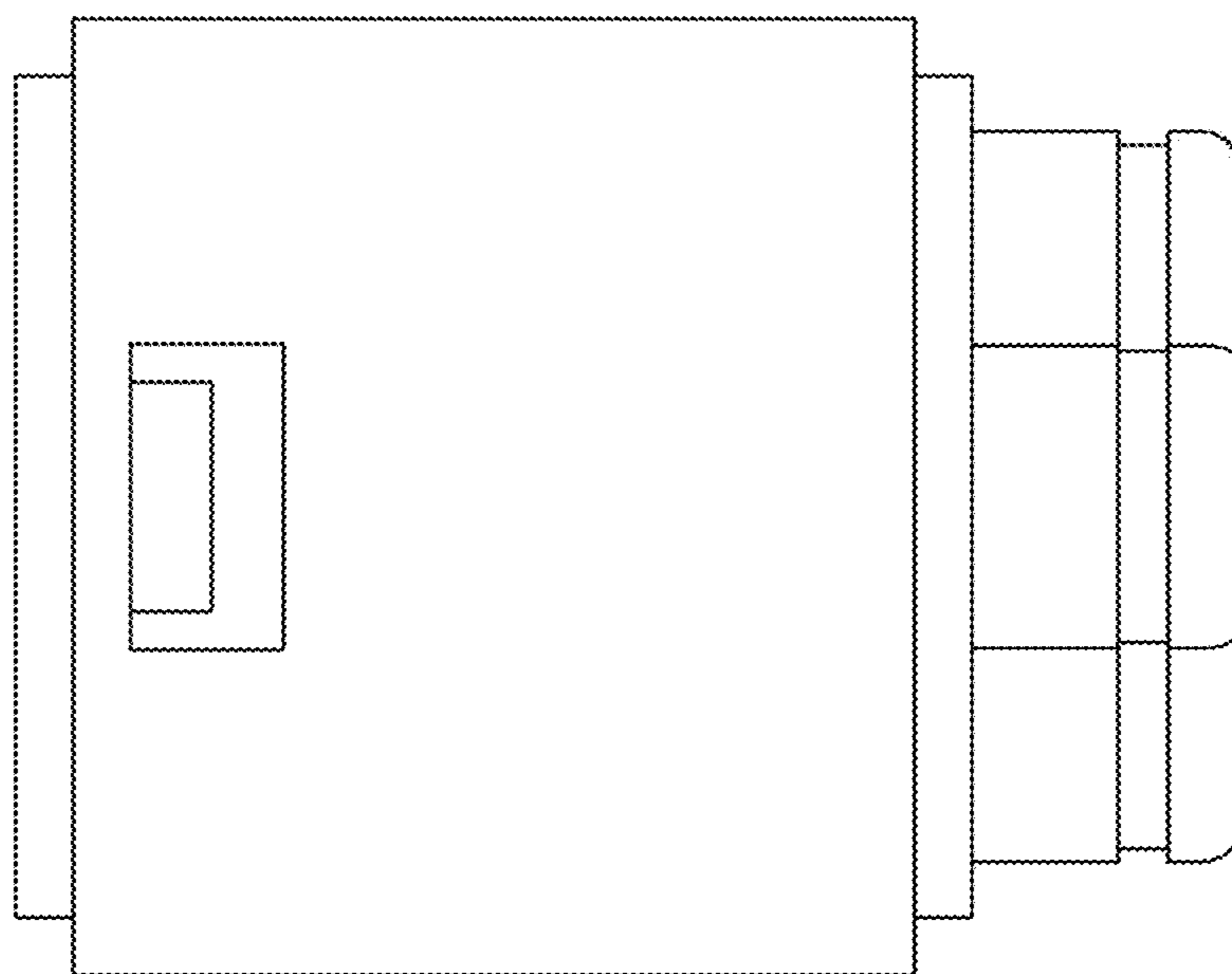


FIG. 4

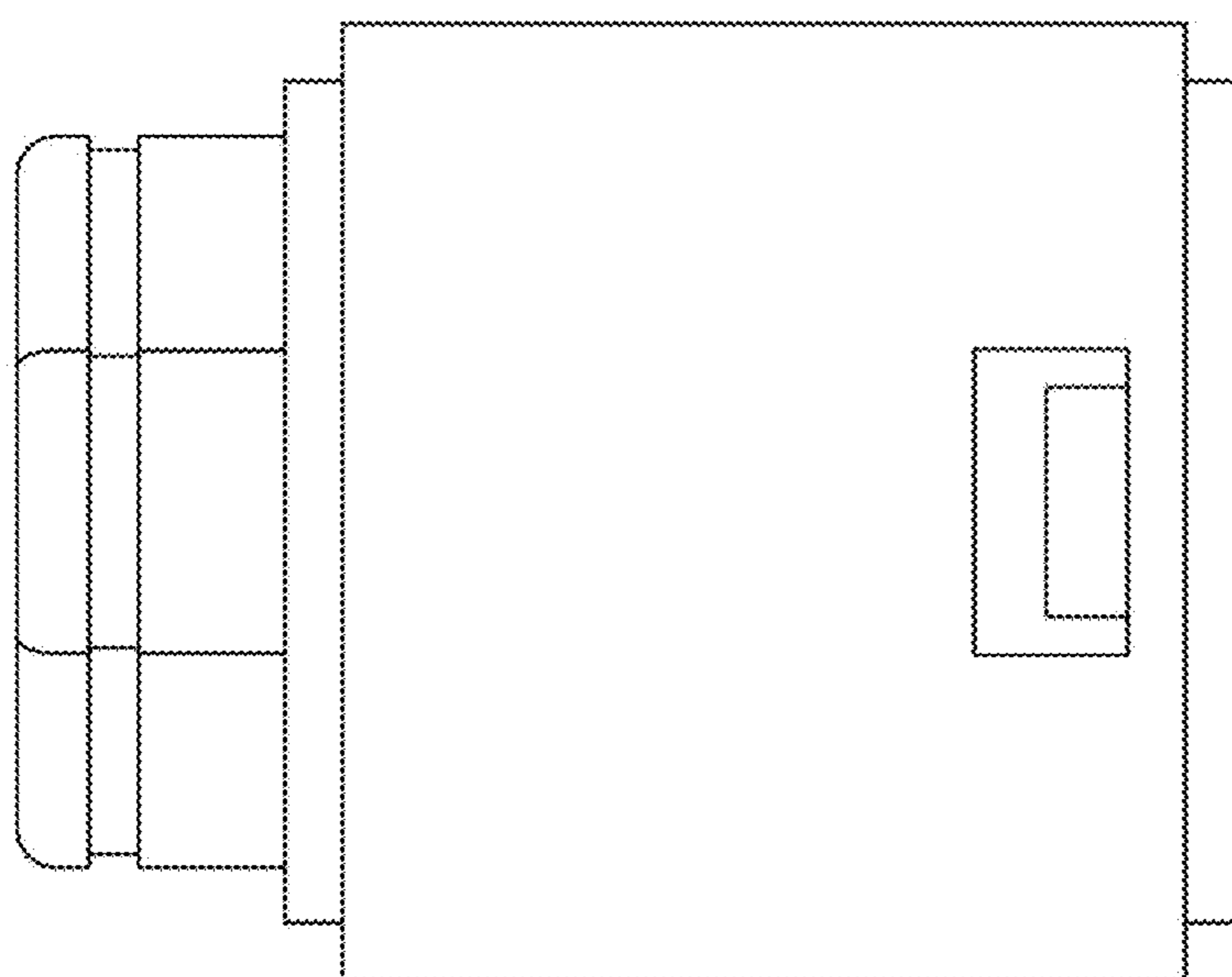


FIG. 5

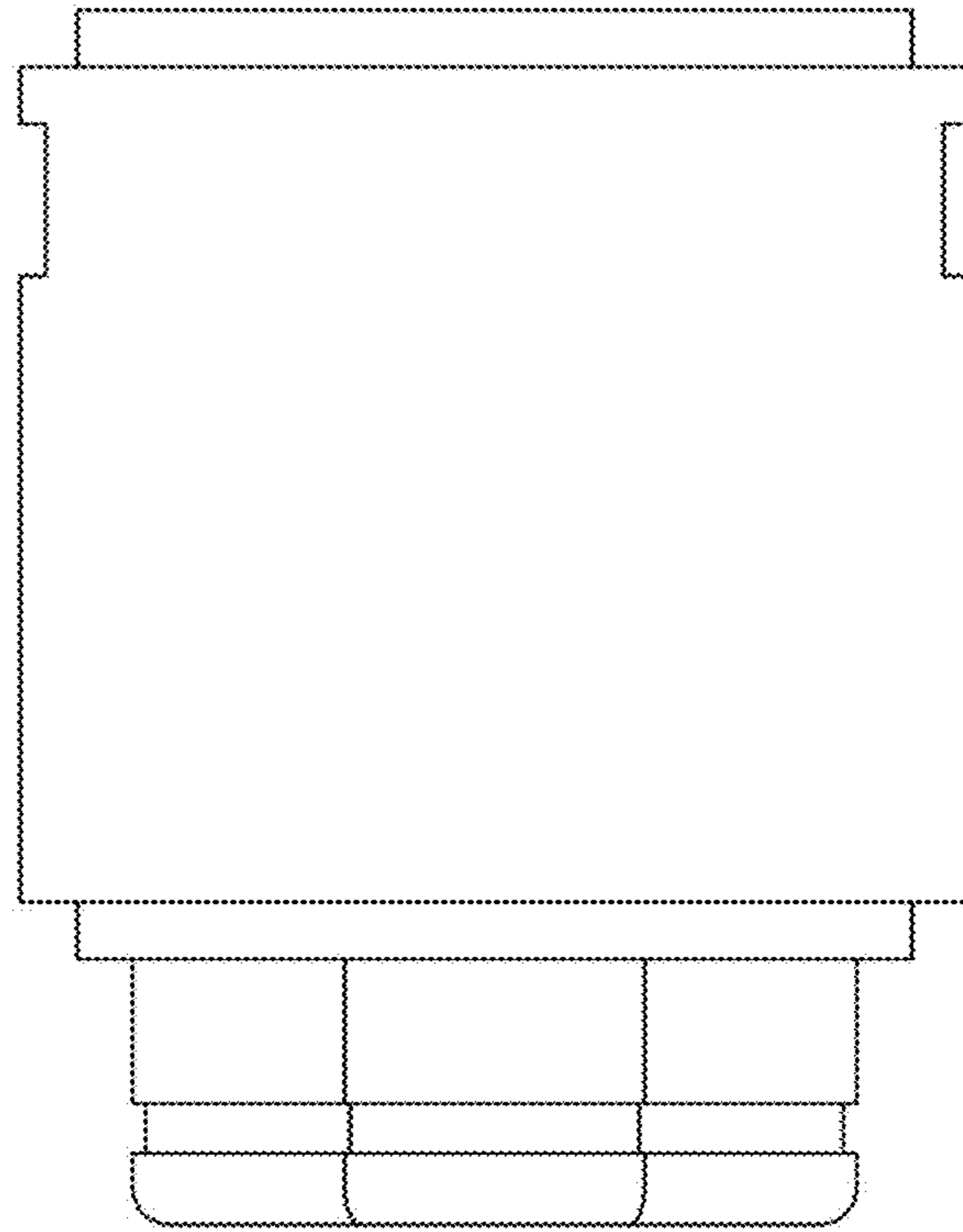


FIG. 6

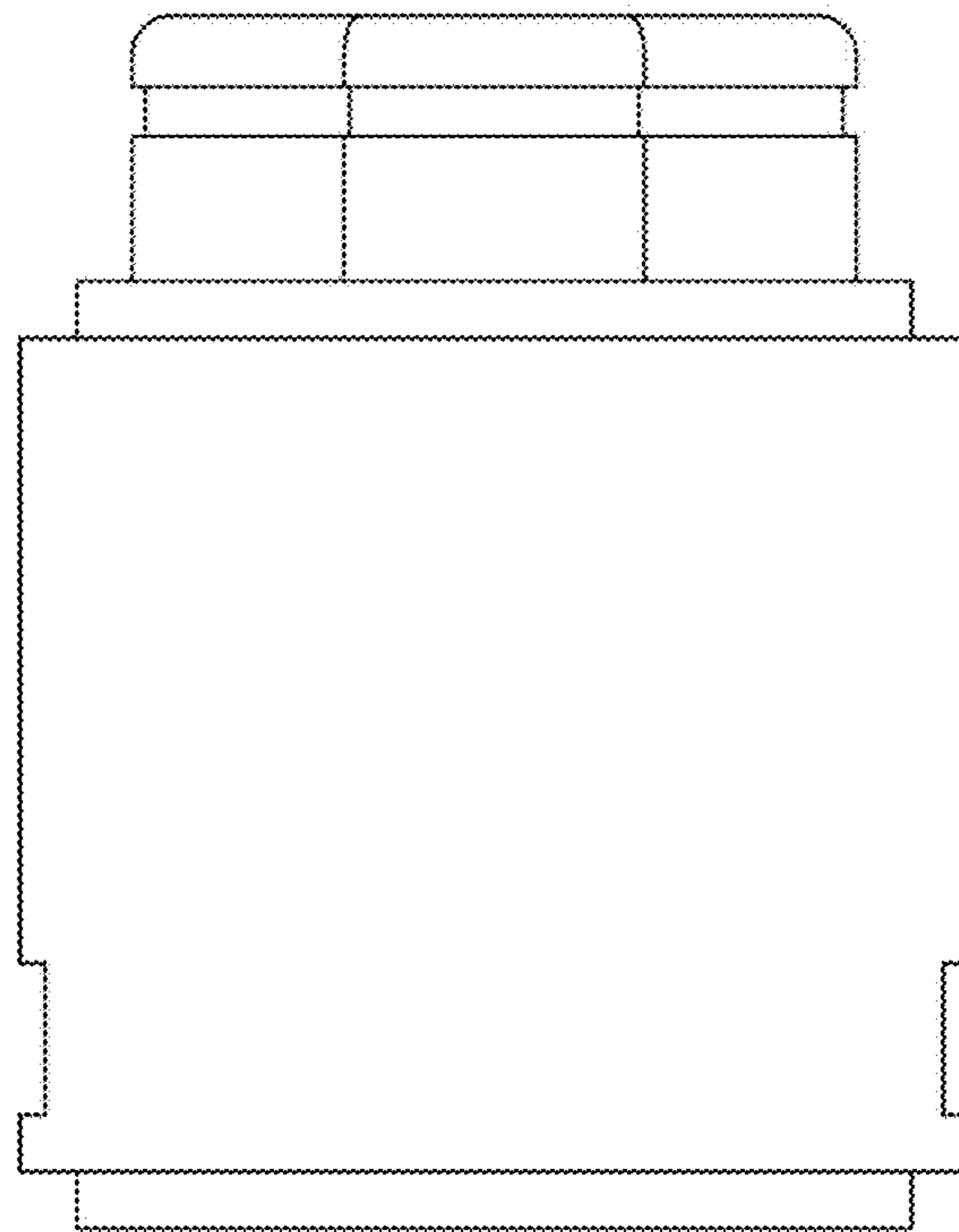


FIG. 7

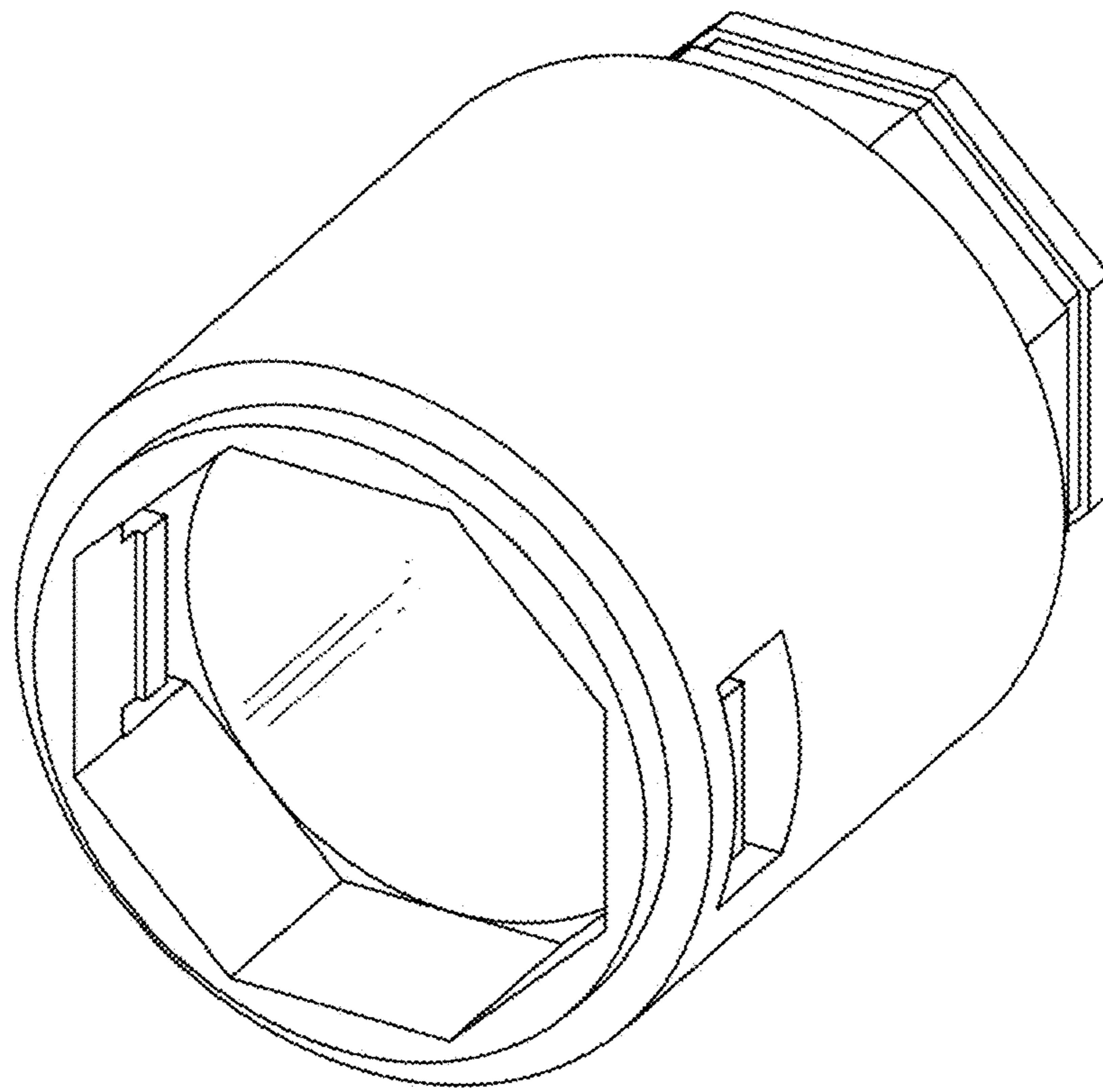


FIG. 8

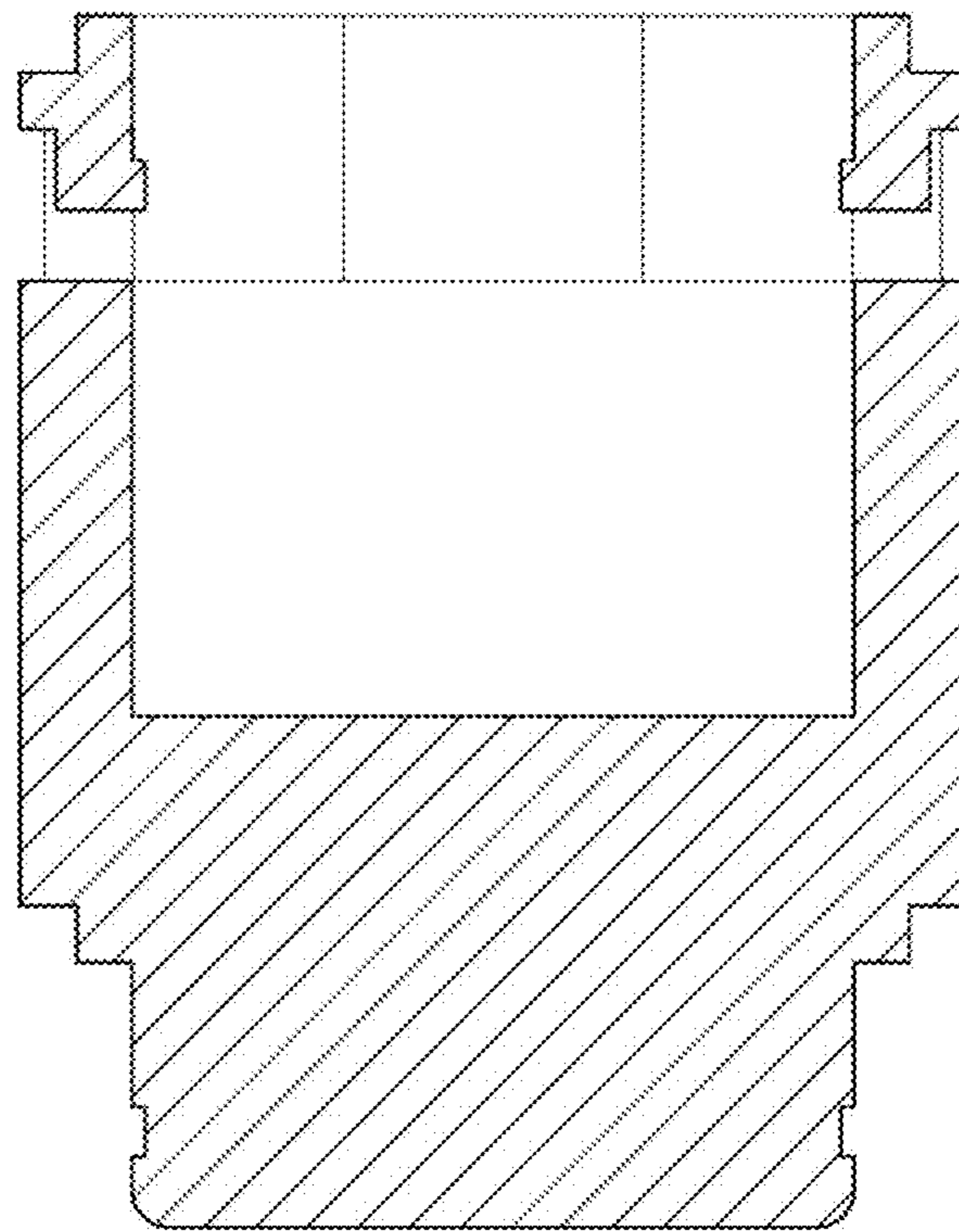


FIG. 9