



US00D949977S

(12) **United States Design Patent** (10) **Patent No.:** **US D949,977 S**  
**Lan** (45) **Date of Patent:** **\*\* Apr. 26, 2022**

(54) **MAGIC BEAN TOY**  
(71) Applicant: **Tiaohang Lan**, Shantou (CN)  
(72) Inventor: **Tiaohang Lan**, Shantou (CN)  
(\*\*) Term: **15 Years**

D267,661 S \* 1/1983 Yokoi ..... D21/478  
4,382,601 A \* 5/1983 Dezsi ..... A63F 9/083  
273/153 S  
D269,629 S \* 7/1983 Wiggs ..... D21/478  
(Continued)

(21) Appl. No.: **29/781,491**  
(22) Filed: **Apr. 30, 2021**

**FOREIGN PATENT DOCUMENTS**

BE 1007137 A6 \* 4/1995 ..... A63F 9/0838  
CN 301546499 \* 5/2011  
(Continued)

(30) **Foreign Application Priority Data**

**OTHER PUBLICATIONS**

Nov. 12, 2020 (CN) ..... 202030685045.3  
(51) **LOC (13) Cl.** ..... **21-01**  
(52) **U.S. Cl.**  
USPC ..... **D21/468**; D21/478; D21/483  
(58) **Field of Classification Search**  
USPC ..... D21/300, 336, 337, 338, 340, 341, 398,  
D21/455, 456, 468, 478, 483; 273/153 R,  
273/153 S  
CPC ..... A63F 9/001; A63F 9/0073; A63F 9/0078;  
A63F 9/06; A63F 9/08; A63F 9/083;  
A63F 9/0803; A63F 9/0807; A63F  
9/0811; A63F 9/0815; A63F 9/0819;  
A63F 9/0823; A63F 9/0826; A63F  
9/0838; A63F 9/0842; A63F 9/0857;  
A63F 9/0861; A63F 9/0865; A63F  
9/0869; A63F 2009/0007; A63F  
2009/0049; A63F 2009/0012; A63F  
2009/0815; A63F 2009/0846; A63F  
2009/0896; A63F 2007/4043  
See application file for complete search history.

Babylon Tower Puzzle . YouTube video posted by 22PUZZLE22 at:  
<<https://www.youtube.com/watch?v=hkW3fZ924g>> Dec. 29, 2015  
[Accessed Jan. 28, 2022] (Year: 2015).\*  
(Continued)

*Primary Examiner* — Catherine A Tuttle  
(74) *Attorney, Agent, or Firm* — True Shepherd LLC;  
Andrew C. Cheng

(57) **CLAIM**

The ornamental design for a magic bean toy, as shown and described.

**DESCRIPTION**

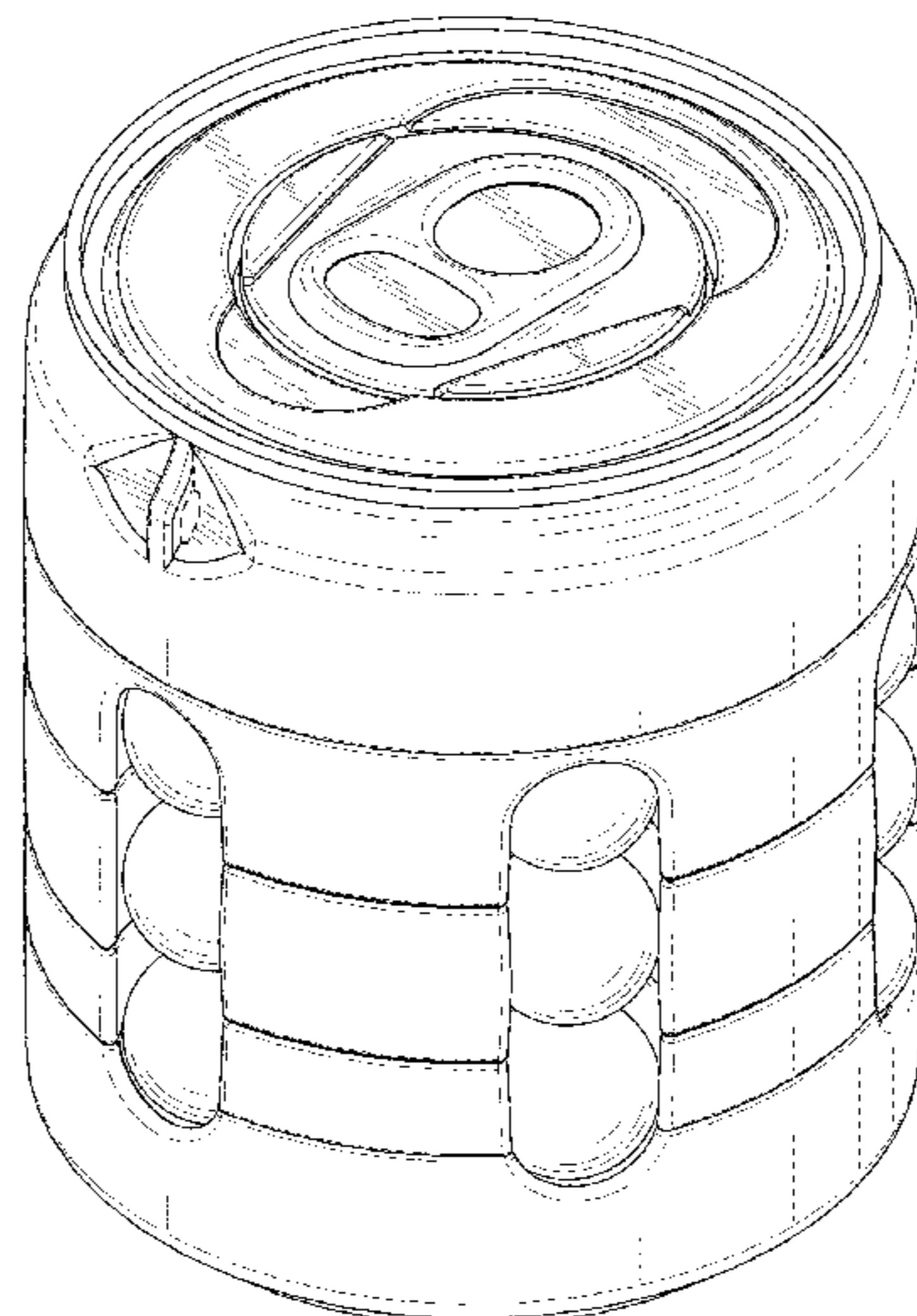
FIG. 1 is a top perspective view of a magic bean toy showing my new design;  
FIG. 2 is a bottom perspective view thereof;  
FIG. 3 is a front view thereof;  
FIG. 4 is a rear view thereof;  
FIG. 5 is a left side view thereof;  
FIG. 6 is a right side view thereof;  
FIG. 7 is a top plan view thereof; and,  
FIG. 8 is a bottom plan view thereof.  
The broken lines depict portions of the magic bean toy and form no part of the claimed design.

(56) **References Cited**

**U.S. PATENT DOCUMENTS**

D203,176 S \* 12/1965 Kardach ..... D18/6  
3,623,723 A \* 11/1971 Helbach ..... A63F 9/06  
273/440  
3,706,457 A \* 12/1972 Gonzales ..... A63F 7/04  
273/281  
D228,772 S \* 10/1973 Hicks ..... D9/425

**1 Claim, 8 Drawing Sheets**



(56)

References Cited

U.S. PATENT DOCUMENTS

4,509,756 A \* 4/1985 Moscovich ..... A63F 9/0823  
 273/153 S  
 5,116,053 A \* 5/1992 Blankenburg ..... A63F 9/0811  
 273/153 S  
 D339,390 S \* 9/1993 Lammertink ..... D21/478  
 D345,397 S \* 3/1994 Kamandi ..... D21/468  
 5,301,943 A \* 4/1994 Asztalos ..... A63F 9/0869  
 273/153 S  
 D361,603 S \* 8/1995 Bidwell ..... D21/468  
 D362,471 S \* 9/1995 Friedman ..... D21/478  
 5,451,055 A \* 9/1995 Lo ..... A63F 9/083  
 273/153 S  
 D760,092 S \* 6/2016 Goldman ..... D21/483  
 D794,134 S 8/2017 Wang  
 D803,952 S 11/2017 Belker et al.  
 D903,781 S 12/2020 Jang  
 D926,262 S \* 7/2021 Falerni ..... D21/483  
 2008/0029959 A1 \* 2/2008 Kuzara ..... A63F 9/083  
 273/153 R  
 2018/0015361 A1 \* 1/2018 Lee ..... A63F 9/0857  
 2020/0306622 A1 \* 10/2020 Pfeffer ..... A63F 9/0865

FOREIGN PATENT DOCUMENTS

CN 305921989 \* 7/2020  
 CN 306004992 \* 8/2020  
 CN 306163155 \* 11/2020  
 CN 306211178 \* 12/2020  
 CN 306224704 \* 12/2020  
 DE 3104021 A1 \* 12/1982 ..... A63F 9/083  
 DE 202011004711 U1 \* 8/2012 ..... A63F 9/083  
 EP 0512928 A1 \* 11/1992 ..... A63F 9/083  
 WO WO-2006132768 A2 \* 12/2006 ..... A63F 1/04

OTHER PUBLICATIONS

I love twisty puzzles with beads ! This one is awesome !! YouTube video posted by: GP Woodworking & Designs—Greg’s Channel at: <<https://www.youtube.com/watch?v=sJgE1ouMaGk>> May 20, 2017 [Accessed Jan. 28, 2022] (Year: 2017).\*

Magic bean cube, fingertip top, magic bean combination, round shape, YouTube video posted by cherry lee at: <<https://www.youtube.com/watch?v=6pOEpQnAFOQ>> Jul. 22, 2020 [accessed Jan. 28, 2022] (Year: 2020).\*

\* cited by examiner

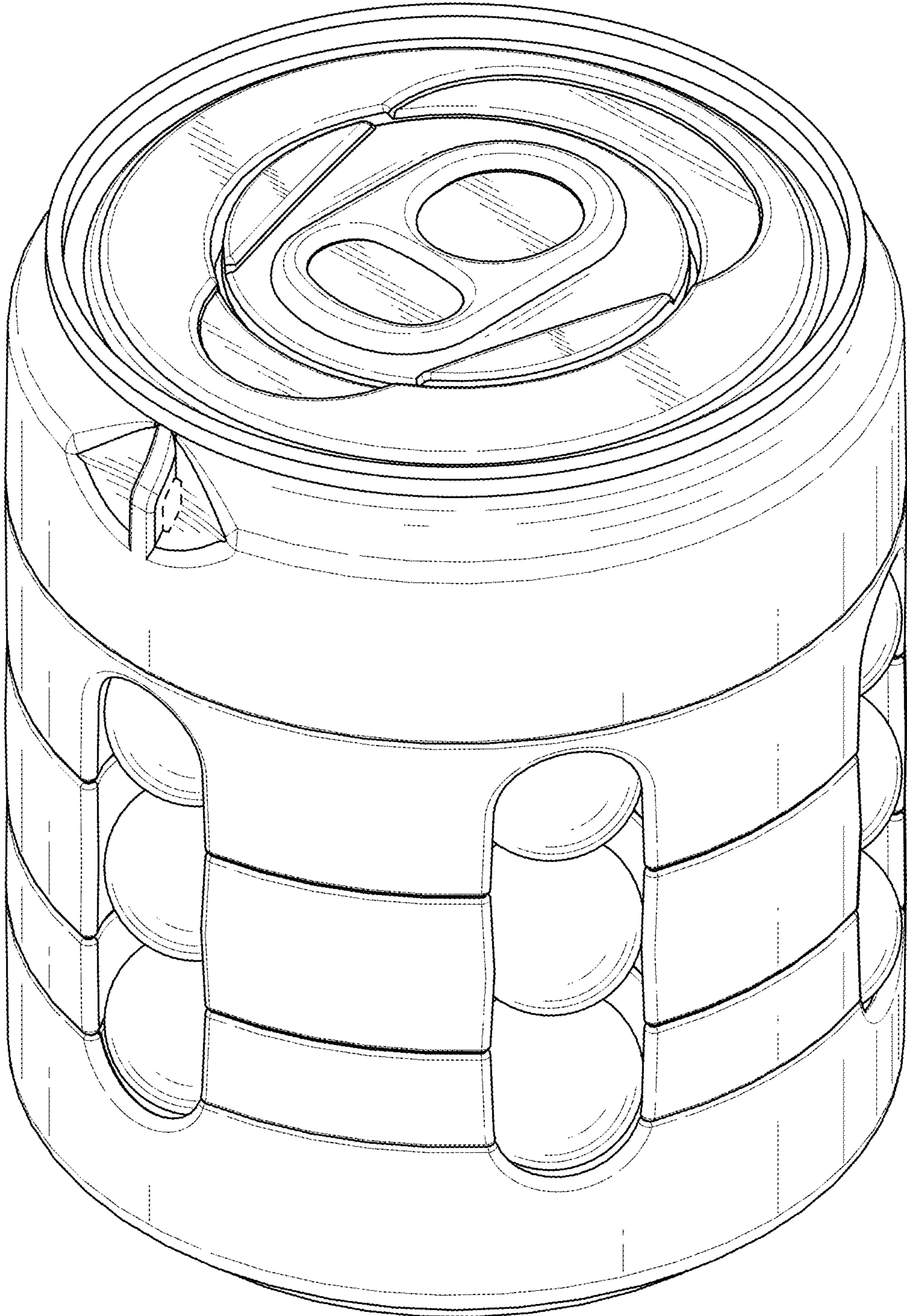


FIG. 1

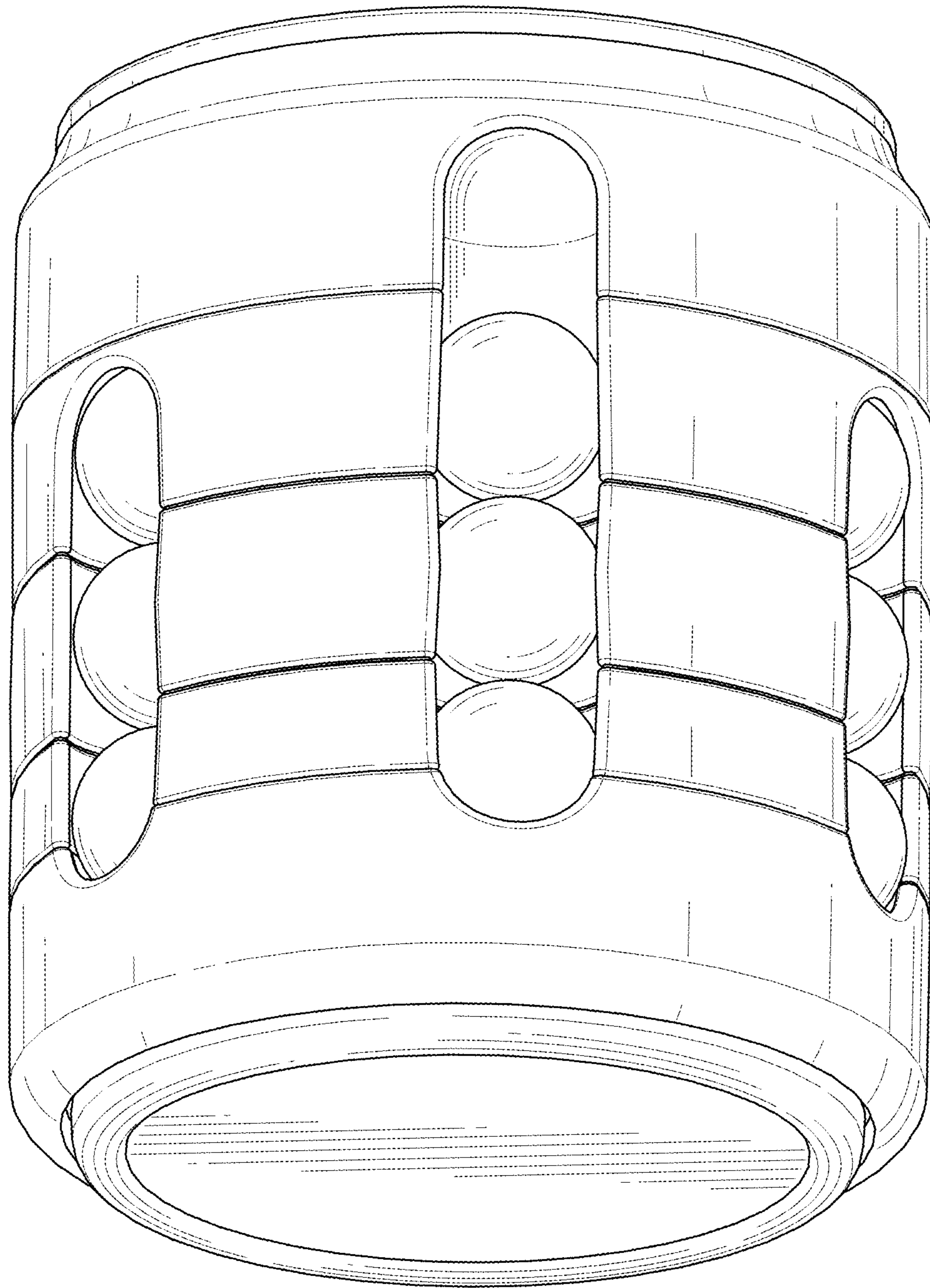


FIG. 2

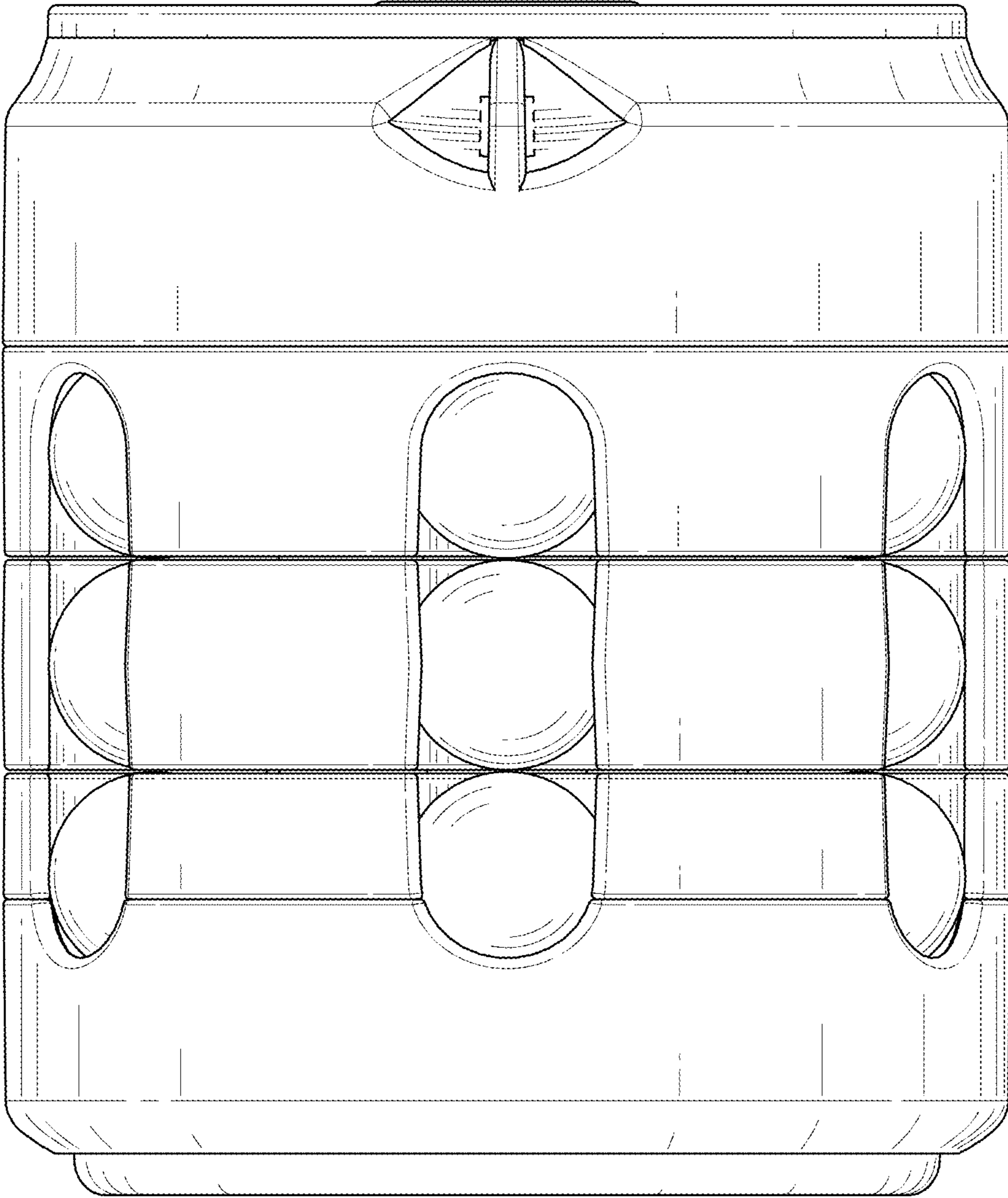


FIG. 3

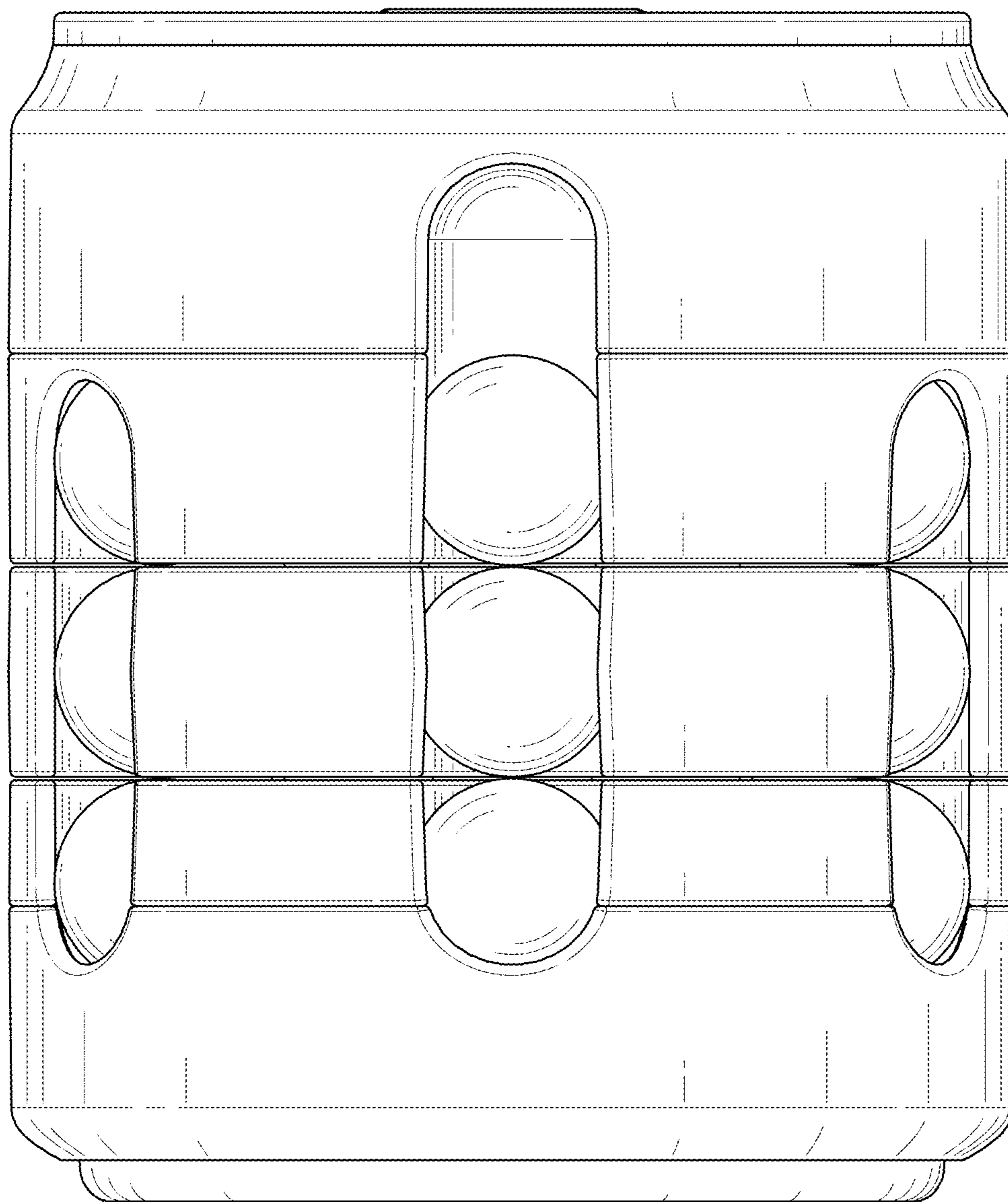


FIG. 4

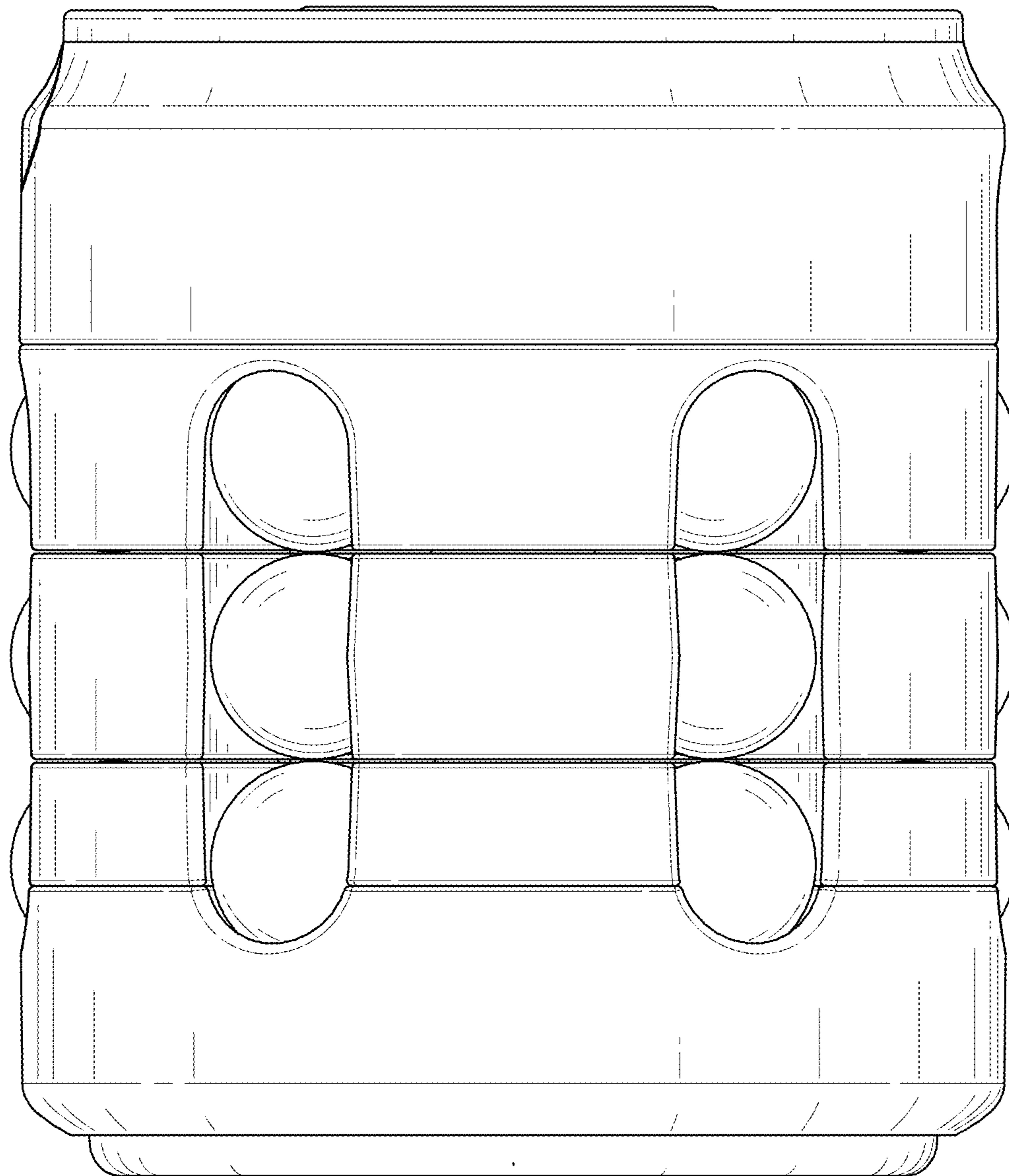


FIG. 5

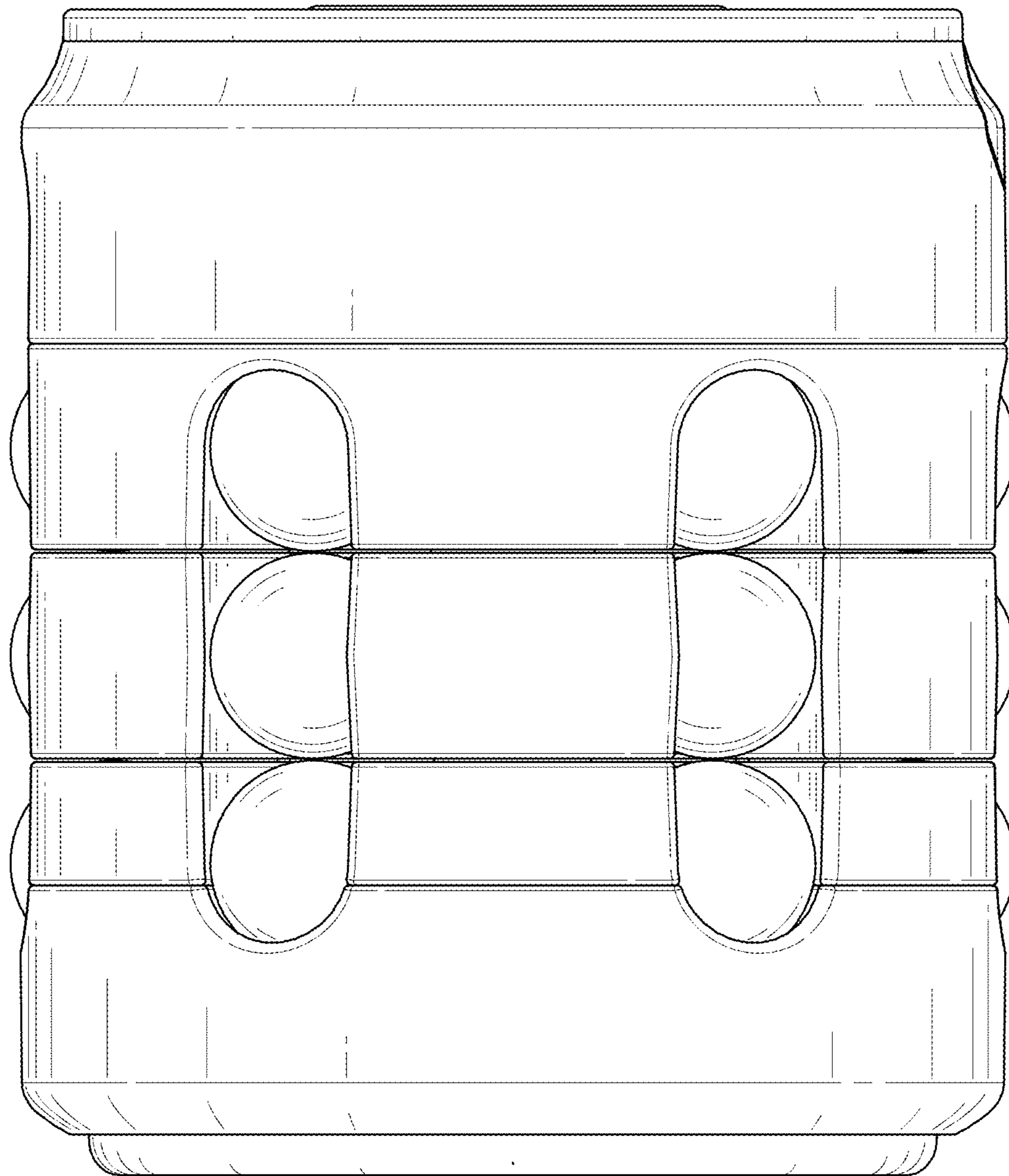


FIG. 6



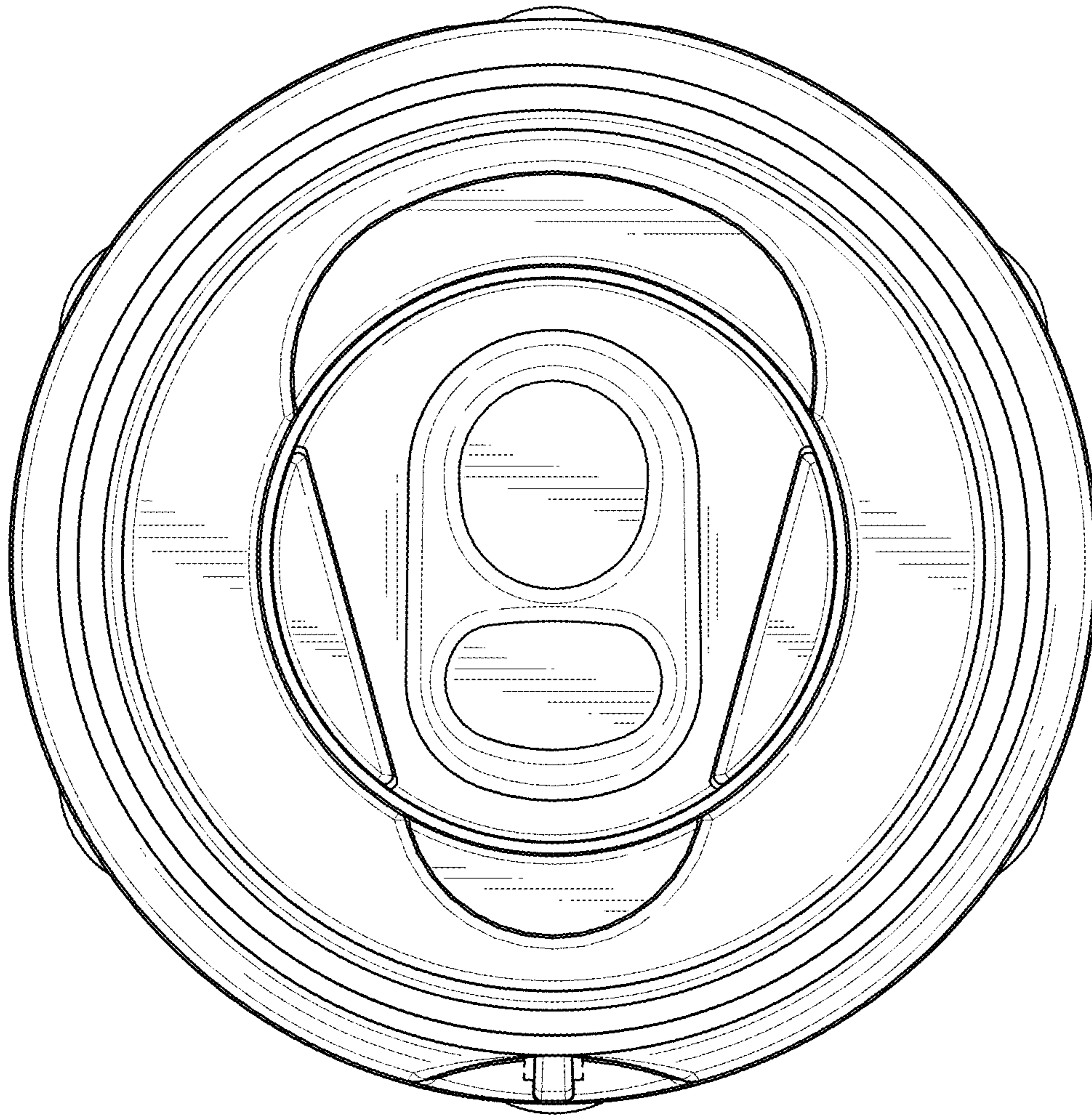


FIG. 7

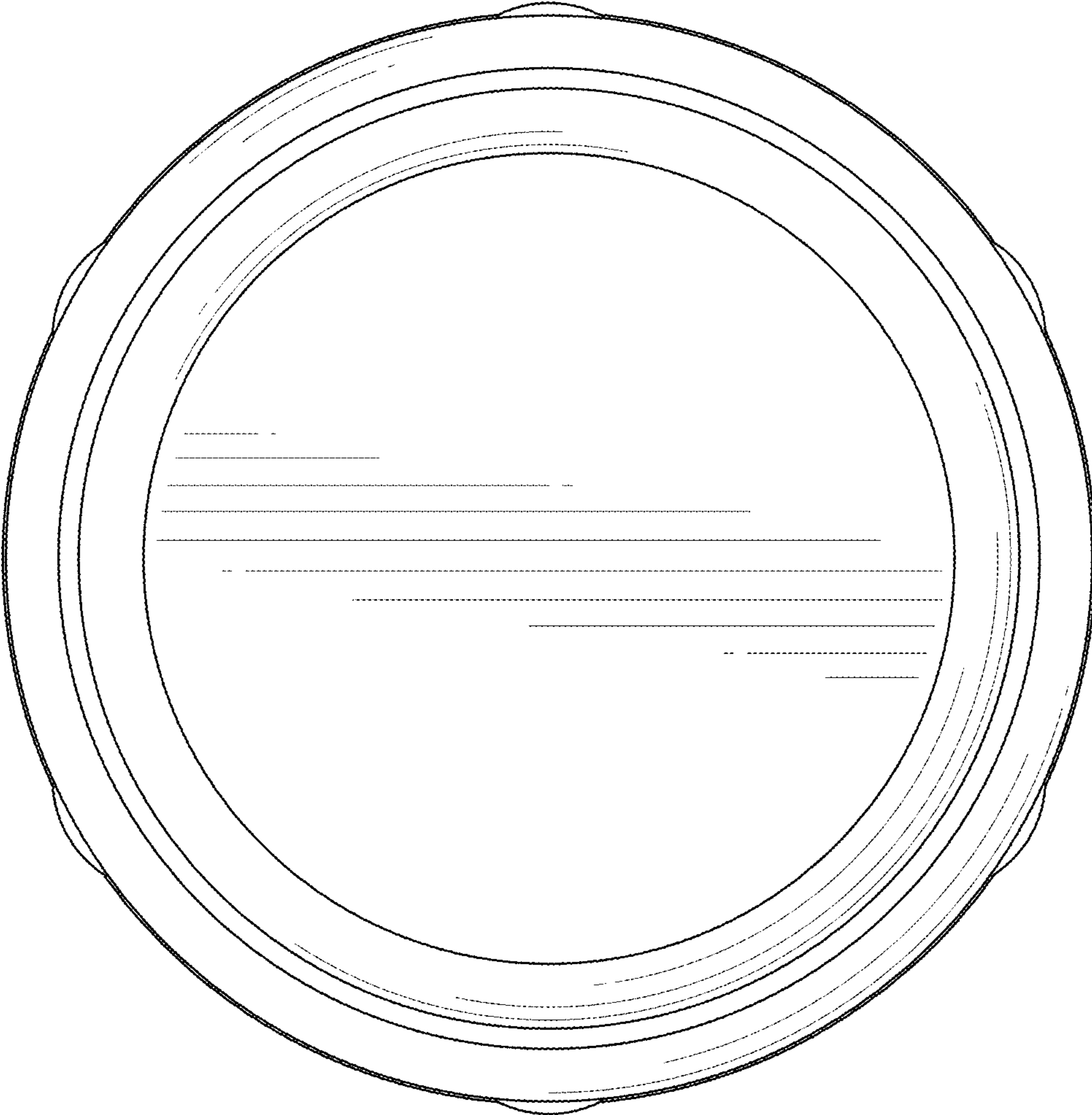


FIG. 8