



US00D949974S

(12) **United States Design Patent** (10) **Patent No.:** **US D949,974 S**  
**Lin** (45) **Date of Patent:** **\*\* Apr. 26, 2022**

(54) **LABEL HOLDER**  
(71) Applicant: **Jinhua Lin**, Shenzhen (CN)  
(72) Inventor: **Jinhua Lin**, Shenzhen (CN)  
(73) Assignee: **Shenzhen Yongheshun Office Supplies Co., Ltd.**, Shenzhen (CN)  
(\*\*) Term: **15 Years**

D454,163 S \* 3/2002 Nagel ..... D20/43  
D479,278 S \* 9/2003 Nagel ..... D20/43  
D480,434 S \* 10/2003 Brinkman ..... D20/43  
D500,091 S \* 12/2004 Sjoberg ..... D20/43  
D531,227 S \* 10/2006 Mueller ..... D20/44  
D546,892 S \* 7/2007 Bruegmann ..... D20/44  
D579,984 S \* 11/2008 Bruegmann ..... D20/43  
D683,797 S \* 6/2013 Sjodin ..... D20/44  
D690,367 S \* 9/2013 Bruegmann ..... D20/43  
D870,814 S \* 12/2019 Florczak ..... D20/10

\* cited by examiner

(21) Appl. No.: **29/759,346**

*Primary Examiner* — Michael C Stout  
*Assistant Examiner* — Fritzgerald L Butac

(22) Filed: **Nov. 22, 2020**

(51) **LOC (13) Cl.** ..... **20-03**

(52) **U.S. Cl.**  
USPC ..... **D20/43; D20/40**

(57) **CLAIM**

The ornamental design for a label holder, as shown and described.

(58) **Field of Classification Search**  
USPC ..... D6/300, 314, 684, 702; D20/10, 19, 27,  
D20/40-44, 99; D25/119, 123  
CPC ..... G09F 3/20; H02G 3/14  
See application file for complete search history.

**DESCRIPTION**

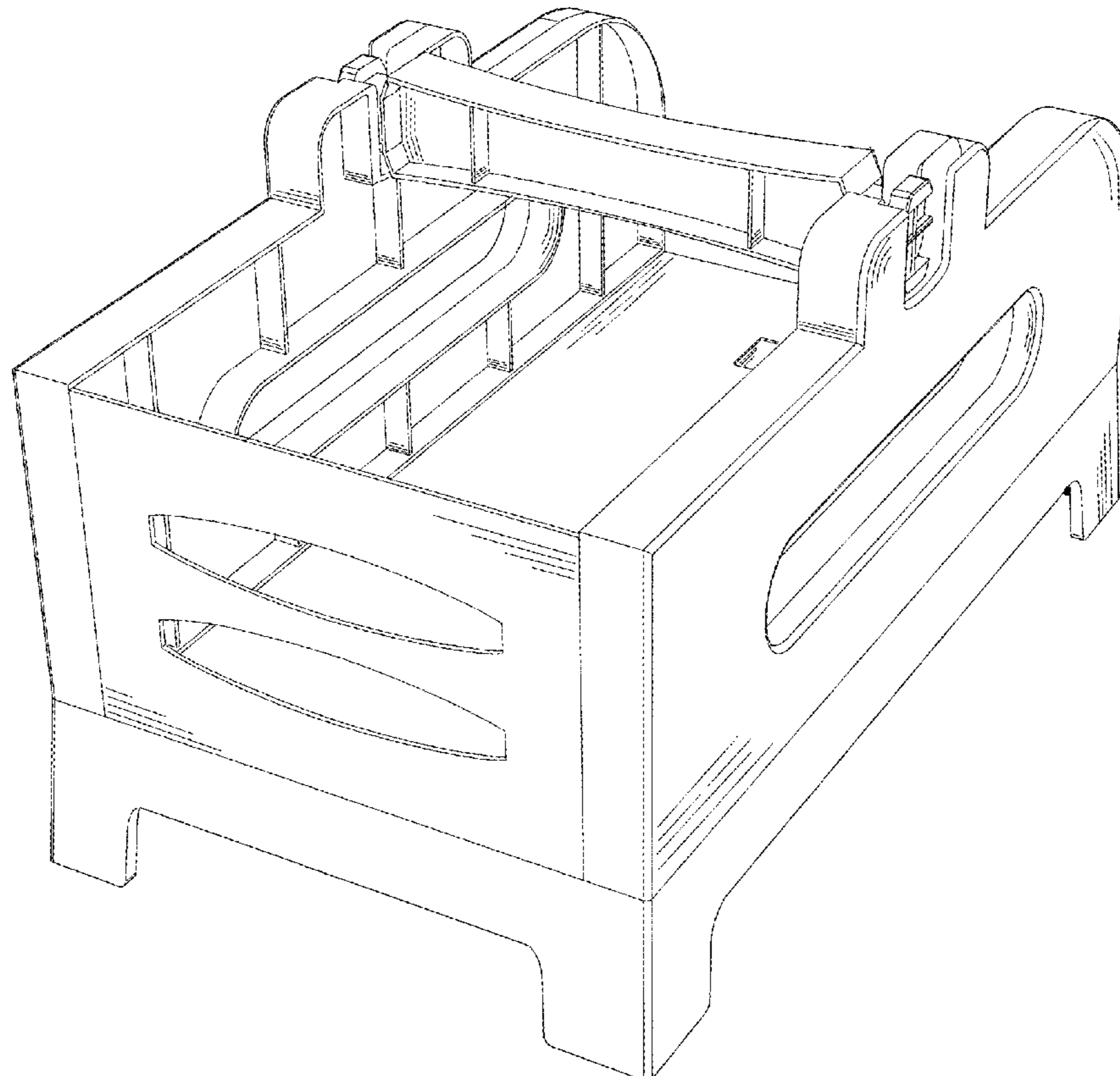
FIG. 1 is a perspective view of a label holder showing my new design;  
FIG. 2 is a front elevational view thereof;  
FIG. 3 is a rear elevational view thereof;  
FIG. 4 is a left side elevational view thereof;  
FIG. 5 is a right side elevational view thereof;  
FIG. 6 is a top plan view thereof; and,  
FIG. 7 is a bottom plan view thereof.

(56) **References Cited**

**U.S. PATENT DOCUMENTS**

D175,436 S \* 8/1955 Morris ..... D6/702  
D180,714 S \* 7/1957 Hardy ..... D6/684  
D283,187 S \* 4/1986 Kopp ..... D20/43  
D425,566 S \* 5/2000 Mueller ..... D20/43  
D443,311 S \* 6/2001 Wildrick ..... G09F 3/204  
D20/43

**1 Claim, 7 Drawing Sheets**



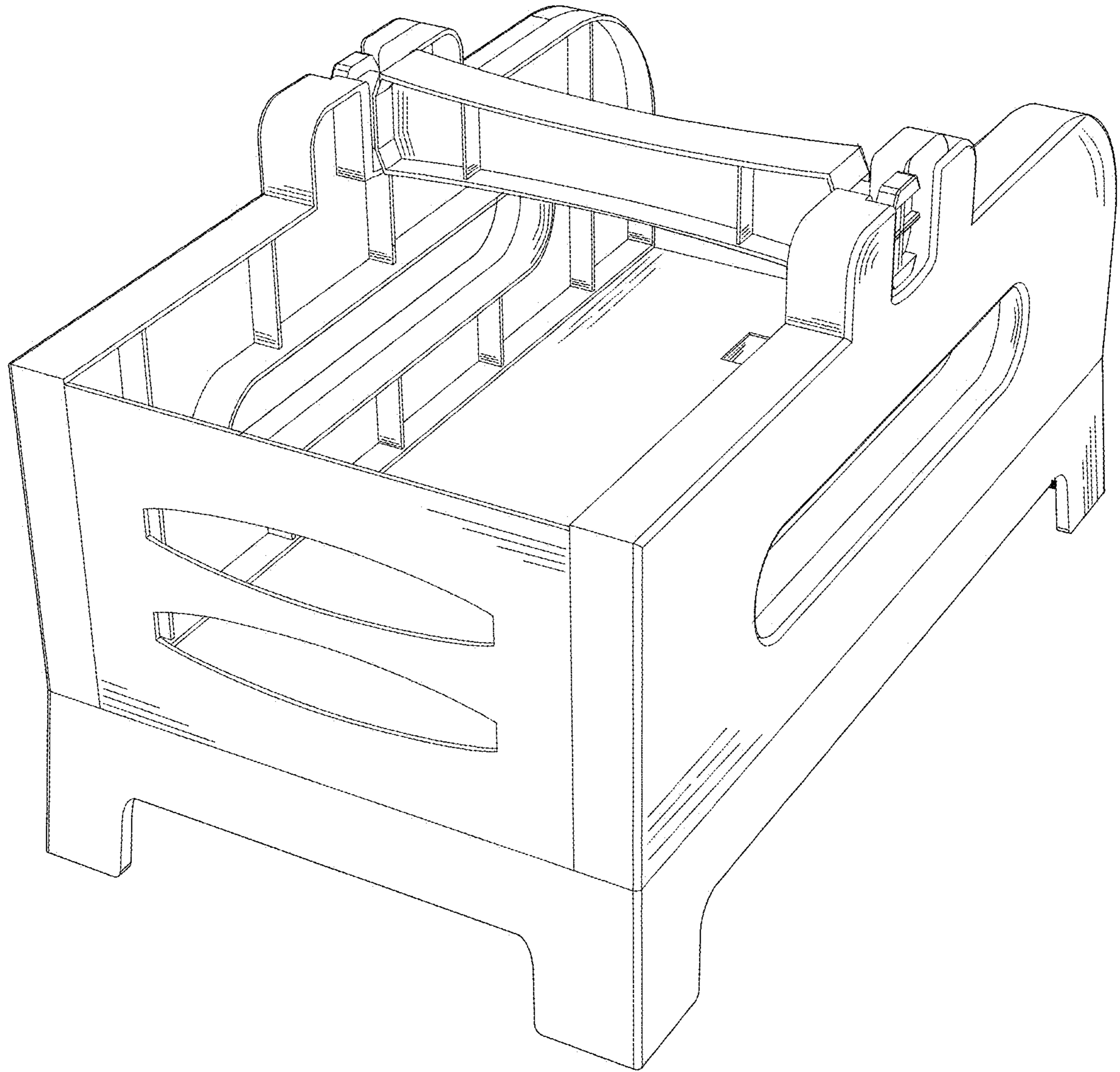


FIG.1

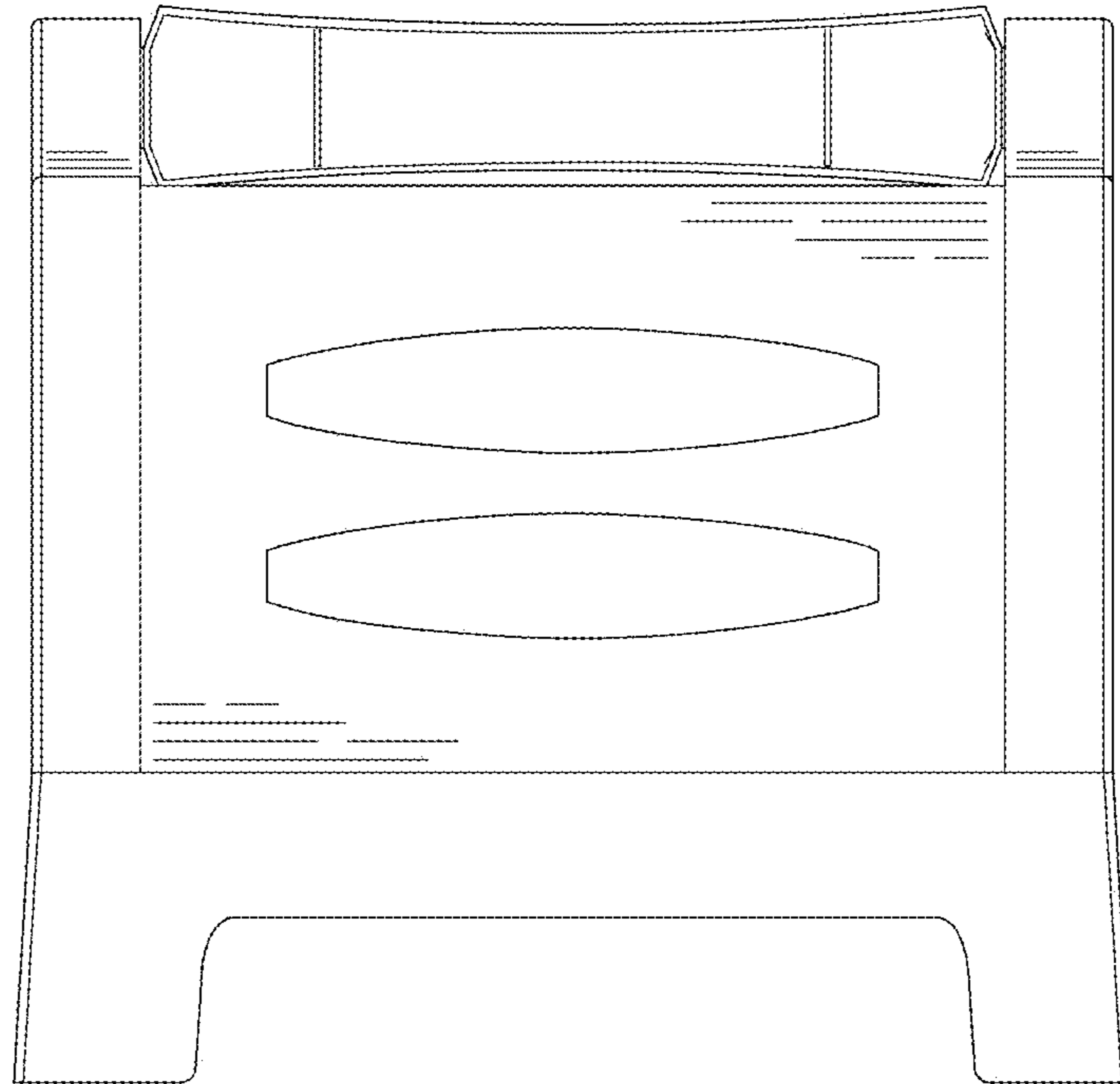


FIG.2

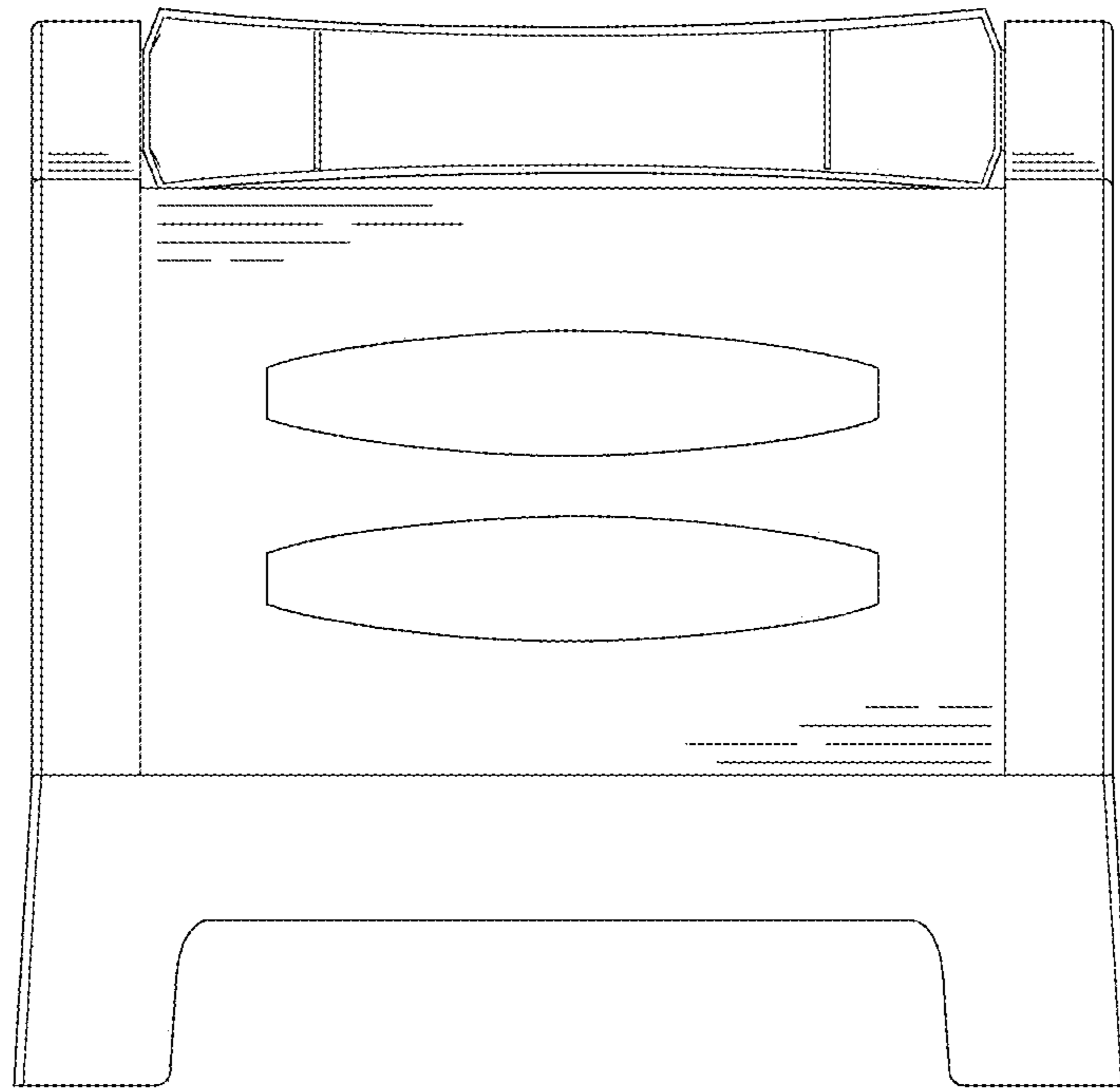


FIG.3

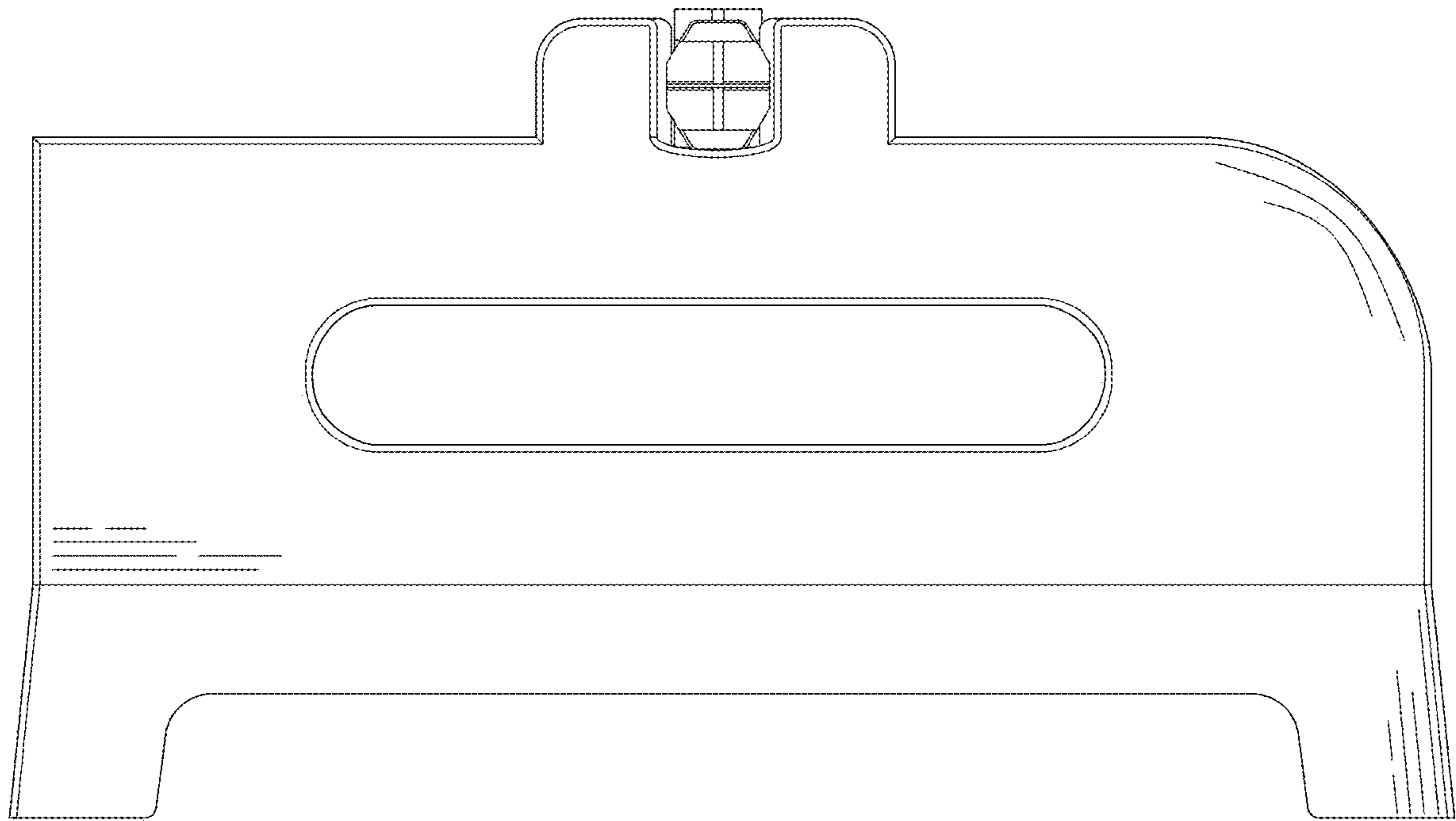


FIG.4

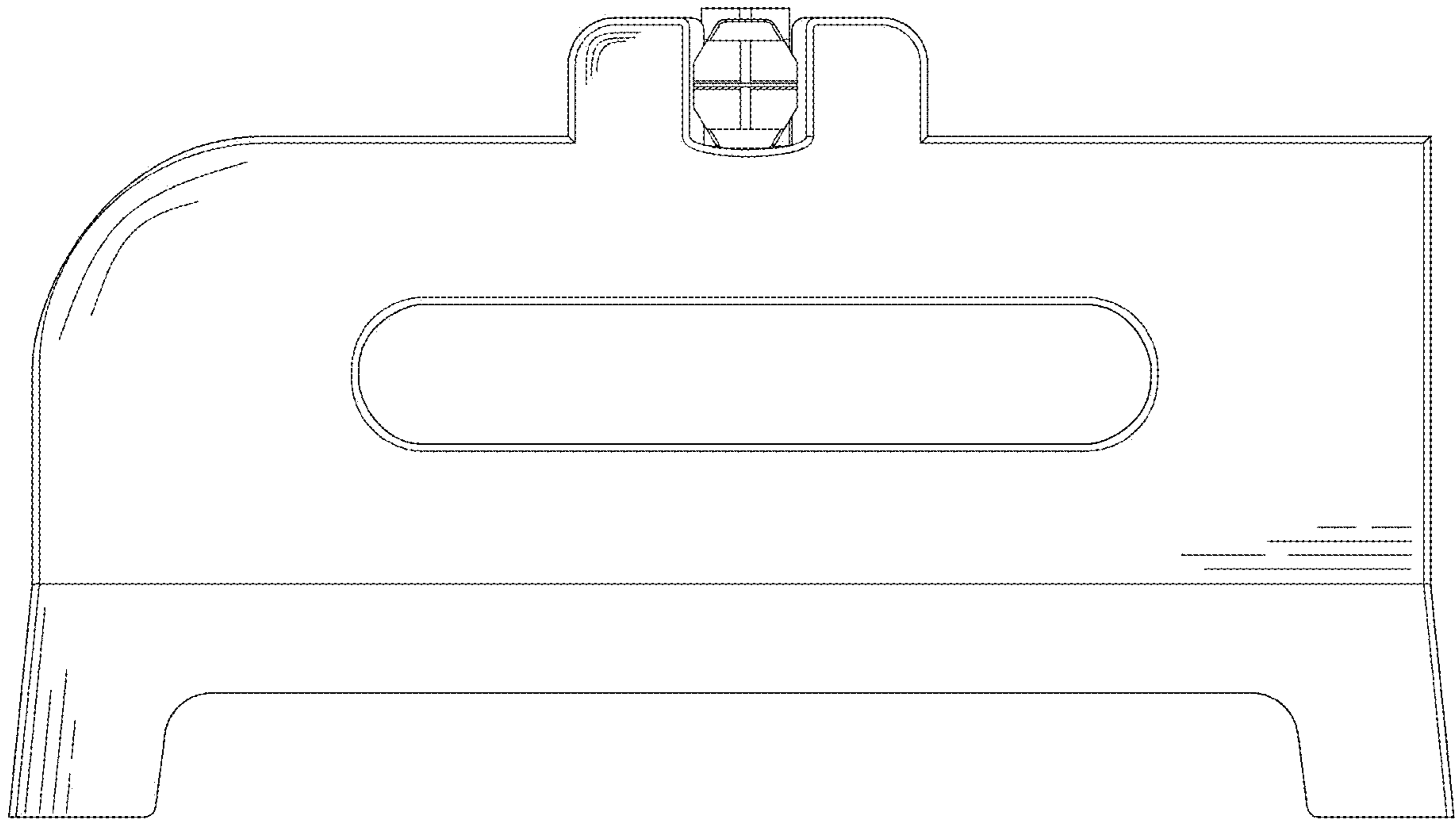


FIG.5

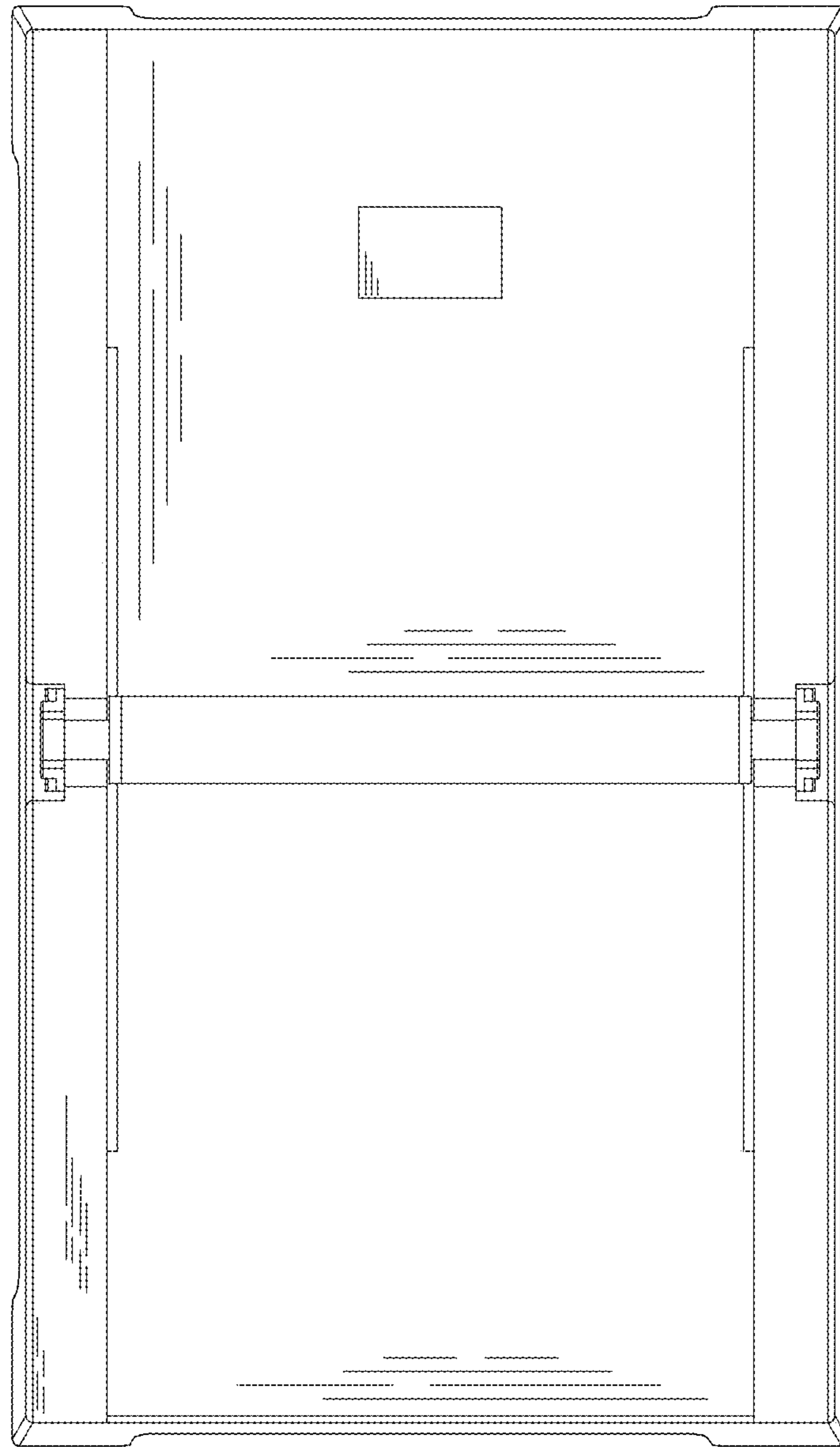


FIG.6

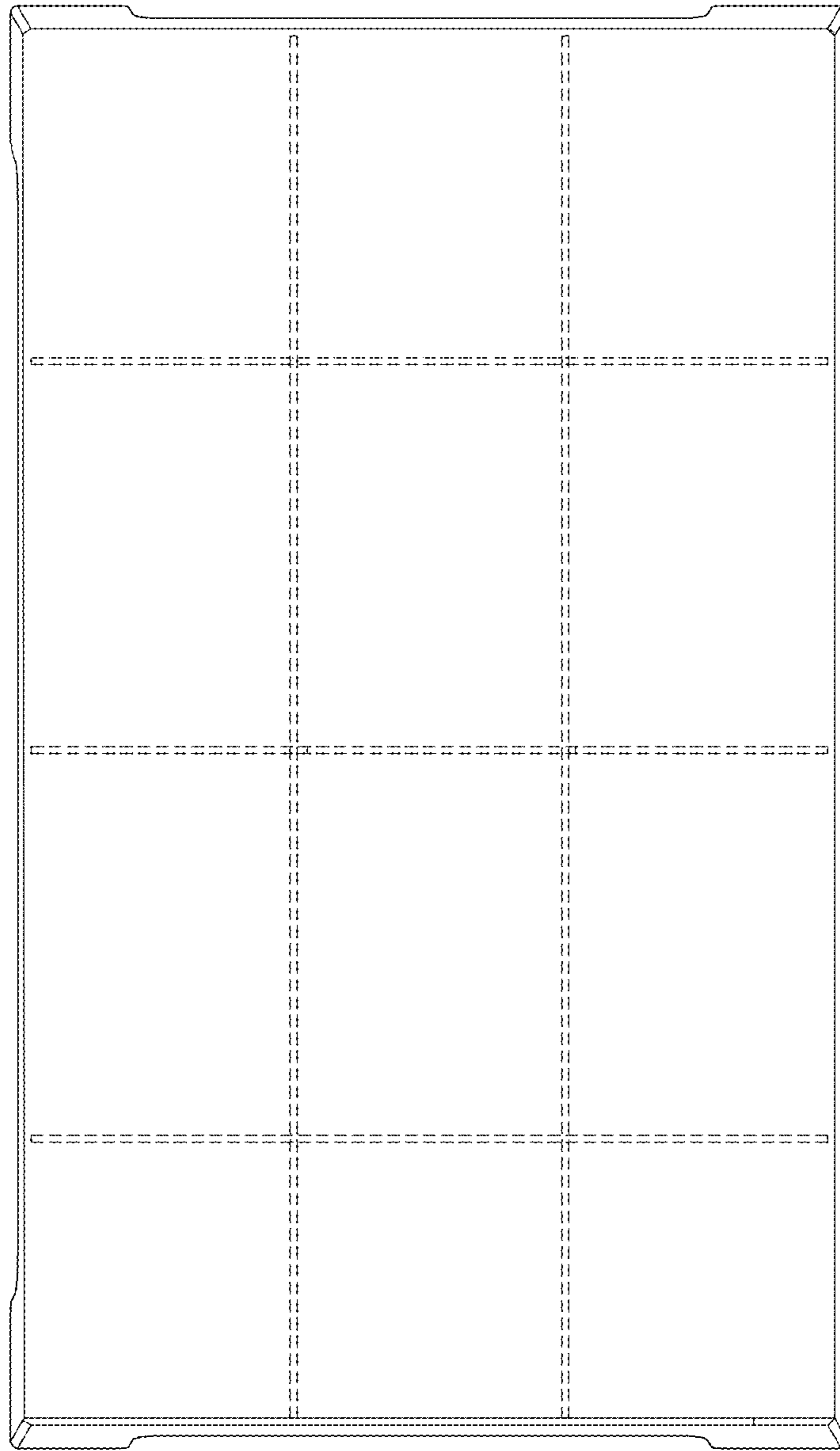


FIG.7