



US00D949973S

(12) **United States Design Patent** (10) **Patent No.:** **US D949,973 S**
You et al. (45) **Date of Patent:** **** Apr. 26, 2022**

(54) **DIGITAL SIGNAGE**
(71) Applicant: **LG ELECTRONICS INC., Seoul (KR)**
(72) Inventors: **Hyunhee You, Seoul (KR); Jaewon Lim, Seoul (KR); Yongho Lee, Seoul (KR); Yoonkyeong Lee, Seoul (KR)**
(73) Assignee: **LG ELECTRONICS INC., Seoul (KR)**

D712,367 S * 9/2014 Park D14/126
D719,120 S * 12/2014 Park D14/126
D736,168 S * 8/2015 Kim D14/126
D736,169 S * 8/2015 Kim D14/126
D753,754 S * 4/2016 Vilcovsky D16/221
D761,221 S * 7/2016 Kim D14/126
D789,313 S * 6/2017 Jacobi D14/126
D805,049 S * 12/2017 Lim D14/126
D825,234 S * 8/2018 He D6/675.4
D835,595 S * 12/2018 Won D14/126
D852,274 S * 6/2019 Lim D20/39
D868,014 S * 11/2019 Kim D14/126
D900,221 S * 10/2020 Dance D20/39

(Continued)

(**) Term: **15 Years**

(21) Appl. No.: **29/733,364**

(22) Filed: **May 1, 2020**

(30) **Foreign Application Priority Data**

Nov. 28, 2019 (KR) 30-2019-0057239

(51) **LOC (13) Cl.** **20-03**

(52) **U.S. Cl.**
USPC **D20/10; D14/126**

(58) **Field of Classification Search**
USPC D10/113.4; D14/125, 126, 371; D20/10, D20/19, 39, 41, 42, 99
CPC G09F 7/00; G09F 7/02; G09F 7/16; G09F 9/00; G09F 9/3026; G09F 9/33; G09F 9/35; G09F 13/00; G09F 13/22; G09F 15/00; G09F 15/0056; G09F 15/0068; G06F 3/14; H01R 13/514

See application file for complete search history.

(56) **References Cited**

U.S. PATENT DOCUMENTS

D501,889 S * 2/2005 Harris D20/39
D661,123 S * 6/2012 Curbbun D6/675.1
D661,124 S * 6/2012 Curbbun D6/675
D662,329 S * 6/2012 Arko D6/332
D708,459 S * 7/2014 Heirakuji D6/675

OTHER PUBLICATIONS

Beijing, posted at shutterstock.com, posted on Dec. 29, 2013, site visited Dec. 13, 2021. online, available from internet: <https://www.shutterstock.com/image-photo/beijing-dec-29-shopping-mall-interior-173434310> (Year: 2013).*

(Continued)

Primary Examiner — Mary Ann Calabrese

Assistant Examiner — Catherine Ho

(74) *Attorney, Agent, or Firm* — Birch, Stewart, Kolasch & Birch, LLP

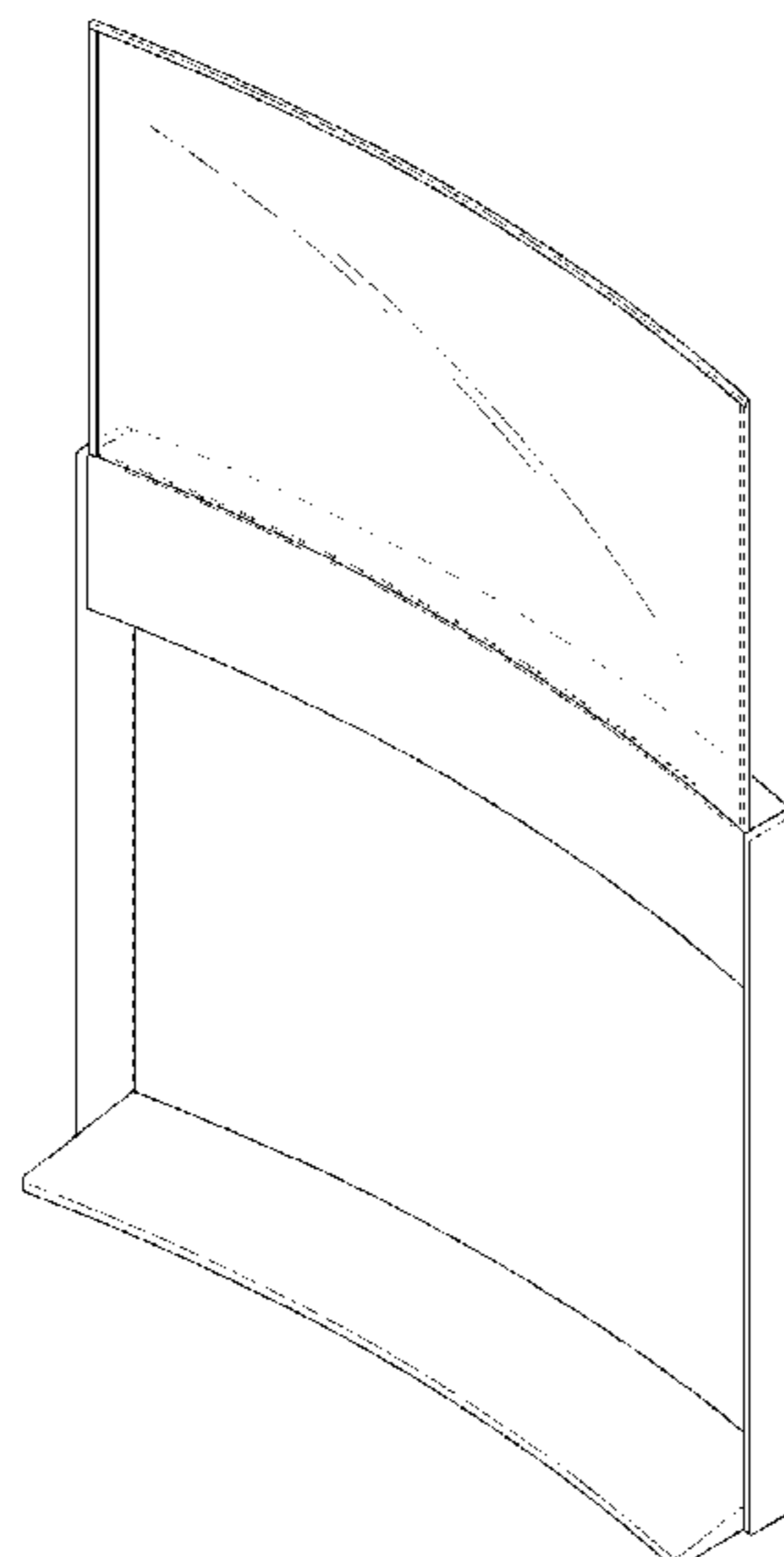
(57) **CLAIM**

The ornamental design for a digital signage, as shown and described.

DESCRIPTION

FIG. 1 is a front, right side, perspective view of a digital signage showing our new design;
FIG. 2 is a front view thereof;
FIG. 3 is a rear view thereof;
FIG. 4 is a left side view thereof;
FIG. 5 is a right side view thereof;
FIG. 6 is a top view thereof; and,
FIG. 7 is a bottom view.

1 Claim, 6 Drawing Sheets



(56)

References Cited

U.S. PATENT DOCUMENTS

D913,374 S * 3/2021 Lee D20/41
D920,323 S * 5/2021 Lee D14/307
D921,757 S * 6/2021 Lee D20/39
D925,484 S * 7/2021 Easton D14/126
D929,355 S * 8/2021 Diao D14/126
2010/0079948 A1* 4/2010 Nakamichi G09F 9/35
361/696

OTHER PUBLICATIONS

LG Lifestyle TVs, posted at Ignewsroom.com, posted on Dec. 14, 2021, site visited Dec. 14, 2021. online, available from internet: <https://www.Ignewsroom.com/2021/12/lg-lifestyle-tvs-deliver-viewer-options-and-experiences-for-unique-times/> (Year: 2021).*

LEDscopic, posted at newegg.com, posted on Nov. 14, 2018, site visited Dec. 13, 2021. online, available from internet: https://tineye.com/search/d11730c0617be34fa301fe22cf4c0e6f9e04342a?sort=crawl_date&order=asc&page=1 (Year: 2018).*

* cited by examiner

FIG. 1

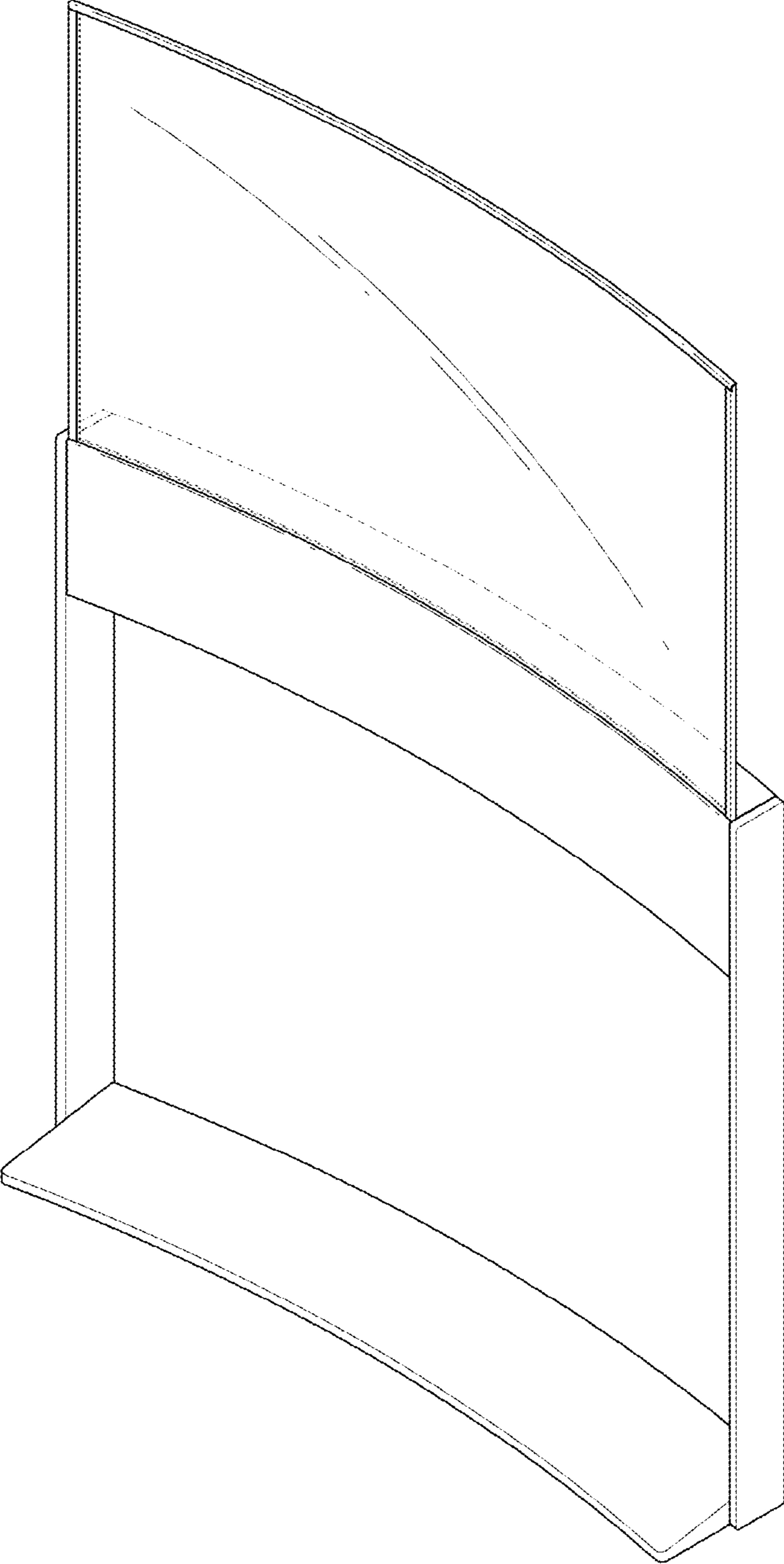


FIG. 2

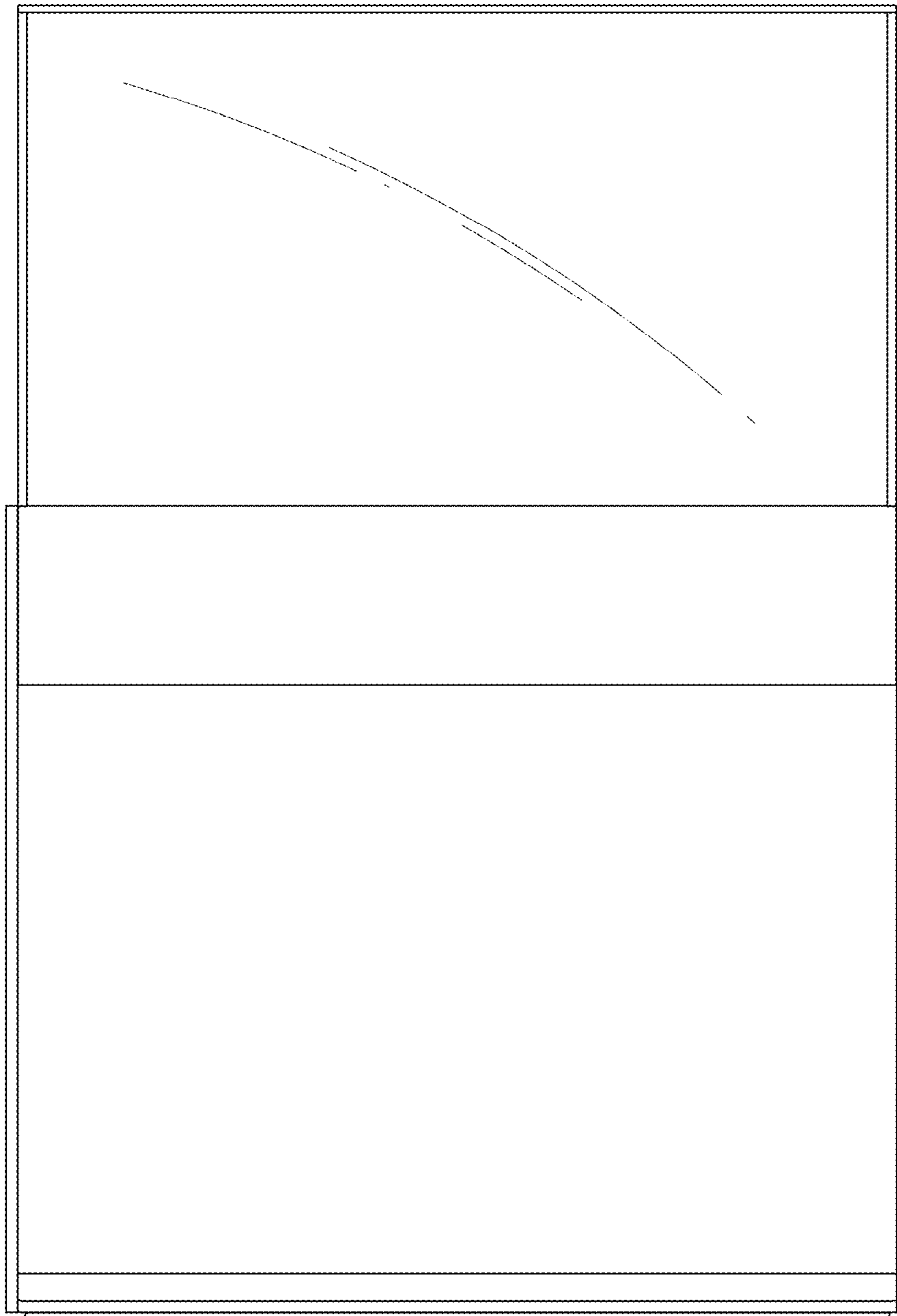


FIG. 3

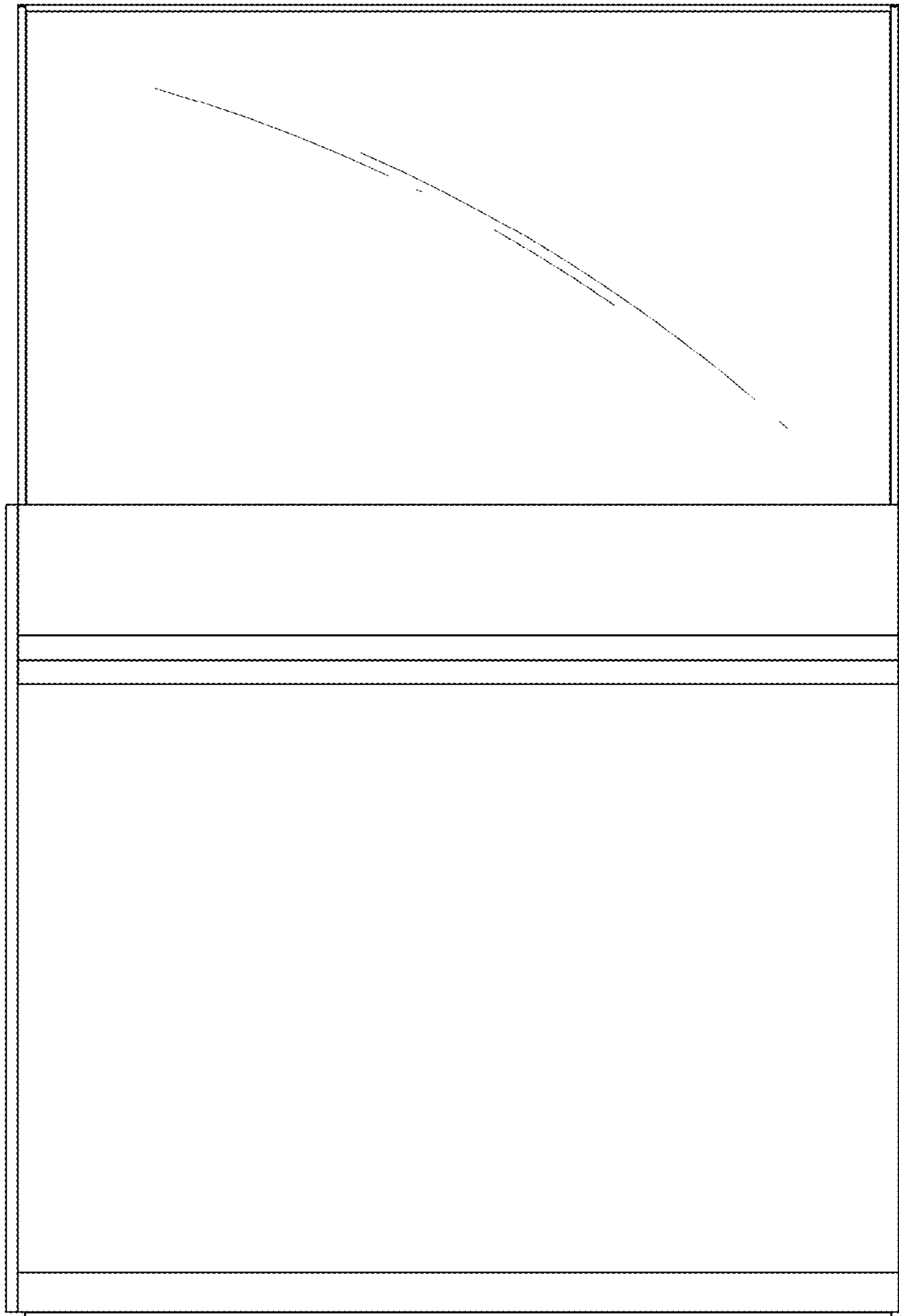


FIG. 4

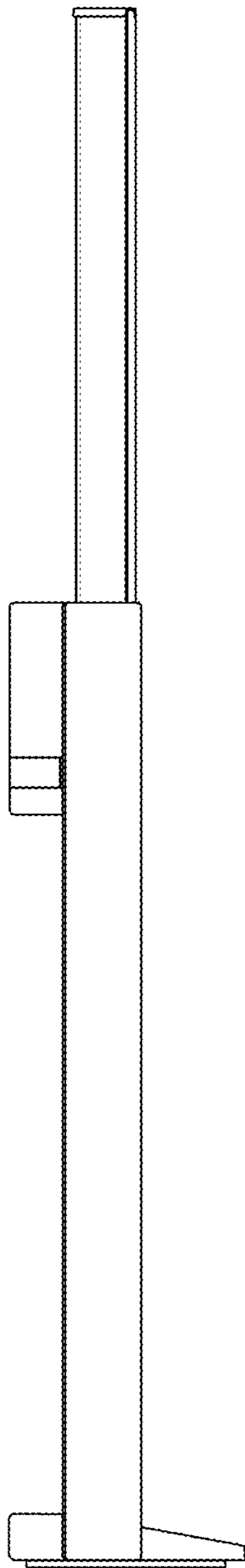


FIG. 5

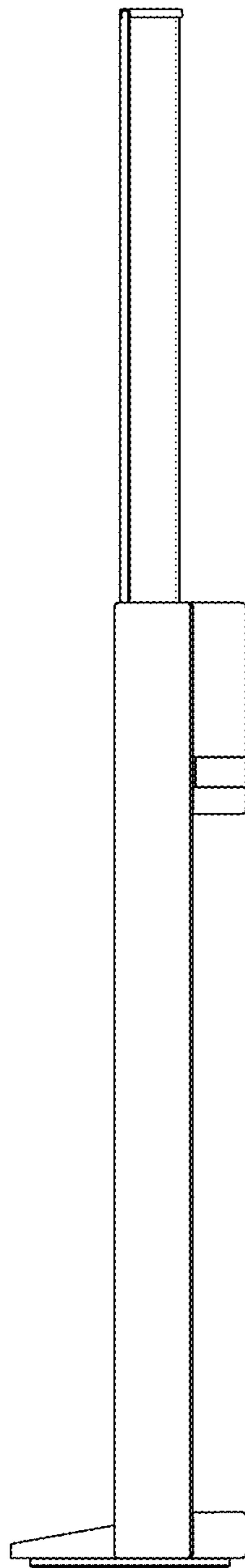


FIG. 6



FIG. 7

