



US00D949972S

(12) **United States Design Patent** (10) **Patent No.:** **US D949,972 S**  
**Lee et al.** (45) **Date of Patent:** **\*\* Apr. 26, 2022**

(54) **DIGITAL SIGNAGE**  
(71) Applicant: **LG ELECTRONICS INC., Seoul (KR)**  
(72) Inventors: **Yoonkyeong Lee, Seoul (KR); Yongho Lee, Seoul (KR); Hyunhee You, Seoul (KR); Jaewon Lim, Seoul (KR)**  
(73) Assignee: **LG ELECTRONICS INC., Seoul (KR)**

D712,367 S \* 9/2014 Park ..... D14/126  
D719,120 S \* 12/2014 Park ..... D14/126  
D736,168 S \* 8/2015 Kim ..... D14/126  
D736,169 S \* 8/2015 Kim ..... D14/126  
D753,754 S \* 4/2016 Vilcovsky ..... D16/221  
D761,221 S \* 7/2016 Kim ..... D14/126  
D789,313 S \* 6/2017 Jacobi ..... D14/126  
D805,049 S \* 12/2017 Lim ..... D14/126  
D825,234 S \* 8/2018 He ..... D6/675.4  
D835,595 S \* 12/2018 Won ..... D14/126  
D852,274 S \* 6/2019 Lim ..... D20/39  
D868,014 S \* 11/2019 Kim ..... D14/126  
D900,221 S \* 10/2020 Dance ..... D20/39

(Continued)

(\*\*) Term: **15 Years**

(21) Appl. No.: **29/729,131**

(22) Filed: **Mar. 24, 2020**

(30) **Foreign Application Priority Data**

Sep. 26, 2019 (KR) ..... 30-2019-0046247

(51) **LOC (13) Cl.** ..... **20-03**

(52) **U.S. Cl.**  
USPC ..... **D20/10; D14/126**

(58) **Field of Classification Search**  
USPC ..... D10/113.4; D14/125, 126, 371; D20/10, D20/19, 39, 41, 42, 99  
CPC ..... G09F 7/00; G09F 7/02; G09F 7/16; G09F 9/00; G09F 9/3026; G09F 9/33; G09F 9/35; G09F 13/00; G09F 13/22; G09F 15/00; G09F 15/0056; G09F 15/0068; G06F 3/14; H01R 13/514  
See application file for complete search history.

(56) **References Cited**

**U.S. PATENT DOCUMENTS**

D501,889 S \* 2/2005 Harris ..... D20/39  
D661,123 S \* 6/2012 Curbbun ..... D6/675.1  
D661,124 S \* 6/2012 Curbbun ..... D6/675  
D662,329 S \* 6/2012 Arko ..... D6/332  
D708,459 S \* 7/2014 Heirakuji ..... D6/675

**OTHER PUBLICATIONS**

Beijing, posted at shutterstock.com, posted on Dec. 29, 2013, site visited Dec. 13, 2021. online, available from internet: <https://www.shutterstock.com/image-photo/beijing-dec-29-shopping-mall-interior-173434310> (Year: 2013).\*

(Continued)

*Primary Examiner* — Mary Ann Calabrese  
*Assistant Examiner* — Catherine Ho  
(74) *Attorney, Agent, or Firm* — Birch, Stewart, Kolasch & Birch, LLP

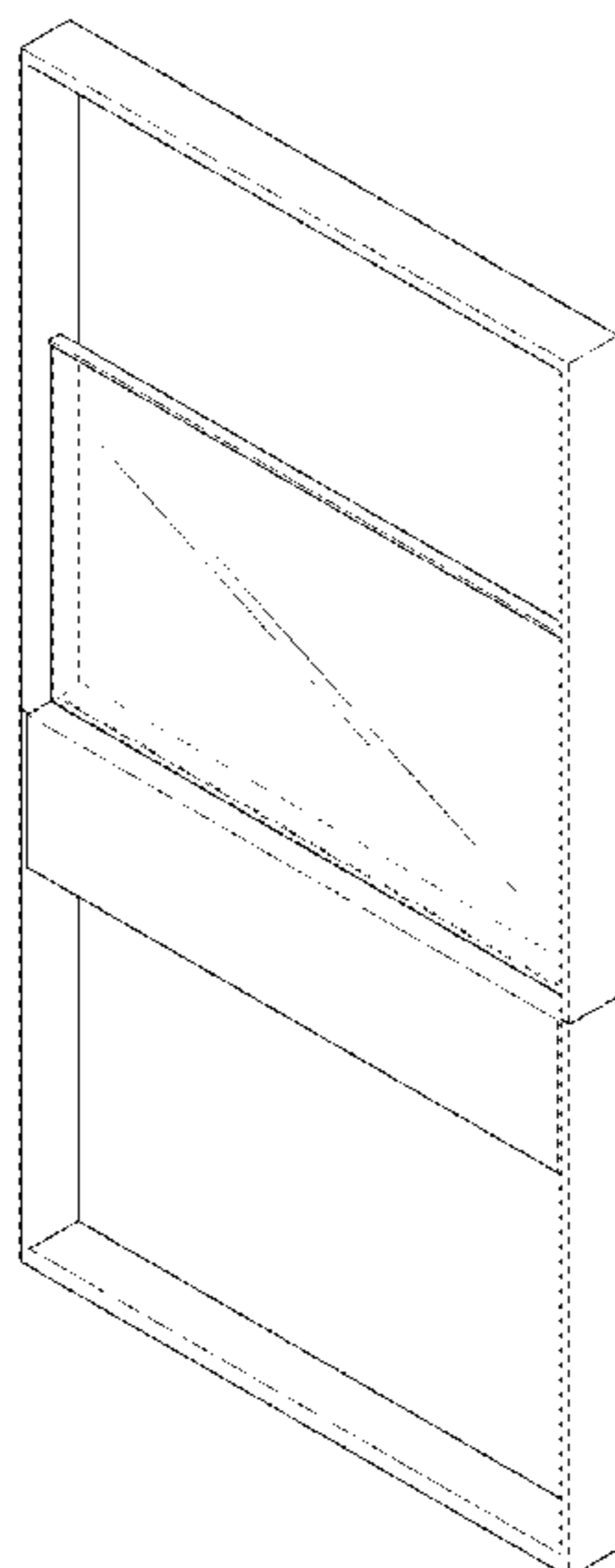
(57) **CLAIM**

The ornamental design for a digital signage, as shown and described.

**DESCRIPTION**

FIG. 1 is a front, right side, perspective view of a digital signage showing our new design;  
FIG. 2 is a front view thereof;  
FIG. 3 is a rear view thereof;  
FIG. 4 is a left side view thereof;  
FIG. 5 is a right side view thereof;  
FIG. 6 is a top view thereof; and,  
FIG. 7 is a bottom view.

**1 Claim, 6 Drawing Sheets**



(56)

**References Cited**

U.S. PATENT DOCUMENTS

D913,374 S \* 3/2021 Lee ..... D20/41  
D920,323 S \* 5/2021 Lee ..... D14/307  
D921,757 S \* 6/2021 Lee ..... D20/39  
D925,484 S \* 7/2021 Easton ..... D14/126  
D929,355 S \* 8/2021 Diao ..... D14/126  
2010/0079948 A1\* 4/2010 Nakamichi ..... G09F 9/35  
361/696

OTHER PUBLICATIONS

LG Lifestyle TVs, posted at lgnewsroom.com, posted on Dec. 14, 2021, site visited Dec. 14, 2021. online, available from internet: <https://www.lgnewsroom.com/2021/12/lg-lifestyle-tvs-deliver-viewer-options-and-experiences-for-unique-times/> (Year: 2021).\*

LEDscopic, posted at newegg.com, posted on Nov. 14, 2018, site visited Dec. 13, 2021. online, available from internet: [https://tineye.com/search/d11730c0617be34fa301fe22cf4c0e6f9e04342a?sort=crawl\\_date&order=asc&page=1](https://tineye.com/search/d11730c0617be34fa301fe22cf4c0e6f9e04342a?sort=crawl_date&order=asc&page=1) (Year: 2018).\*

\* cited by examiner

FIG. 1

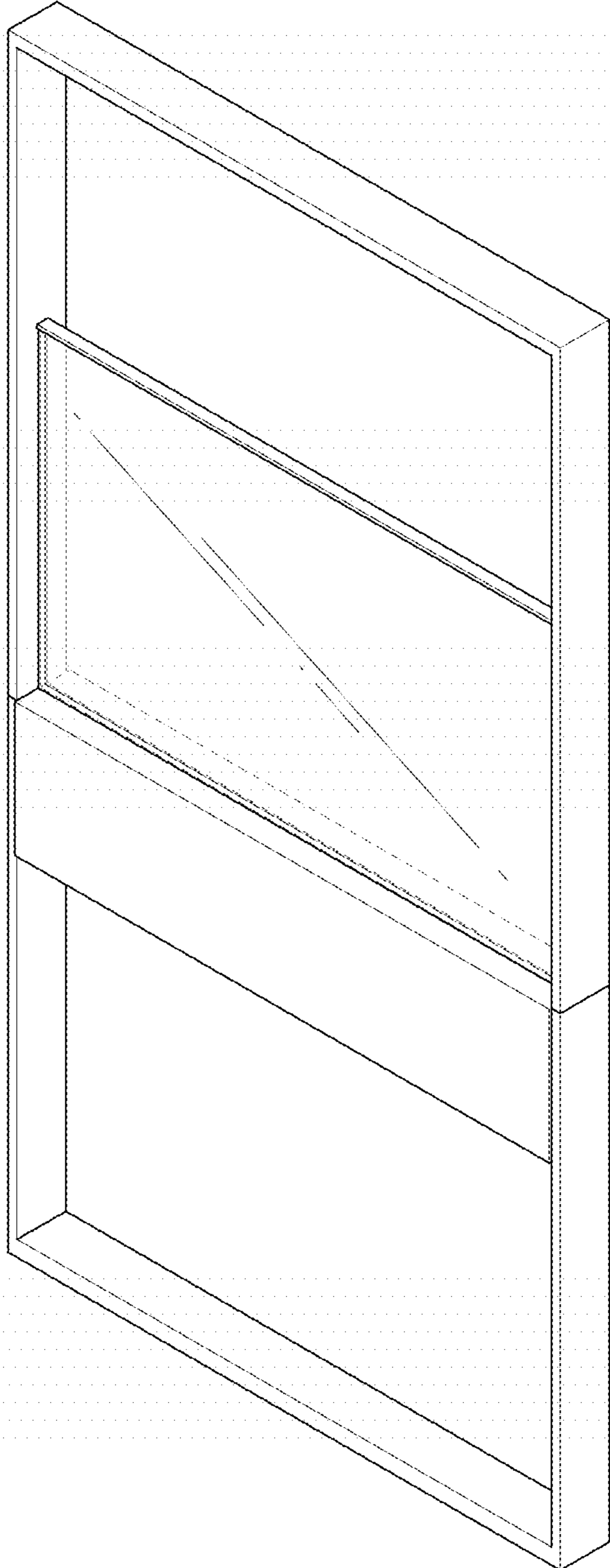


FIG. 2

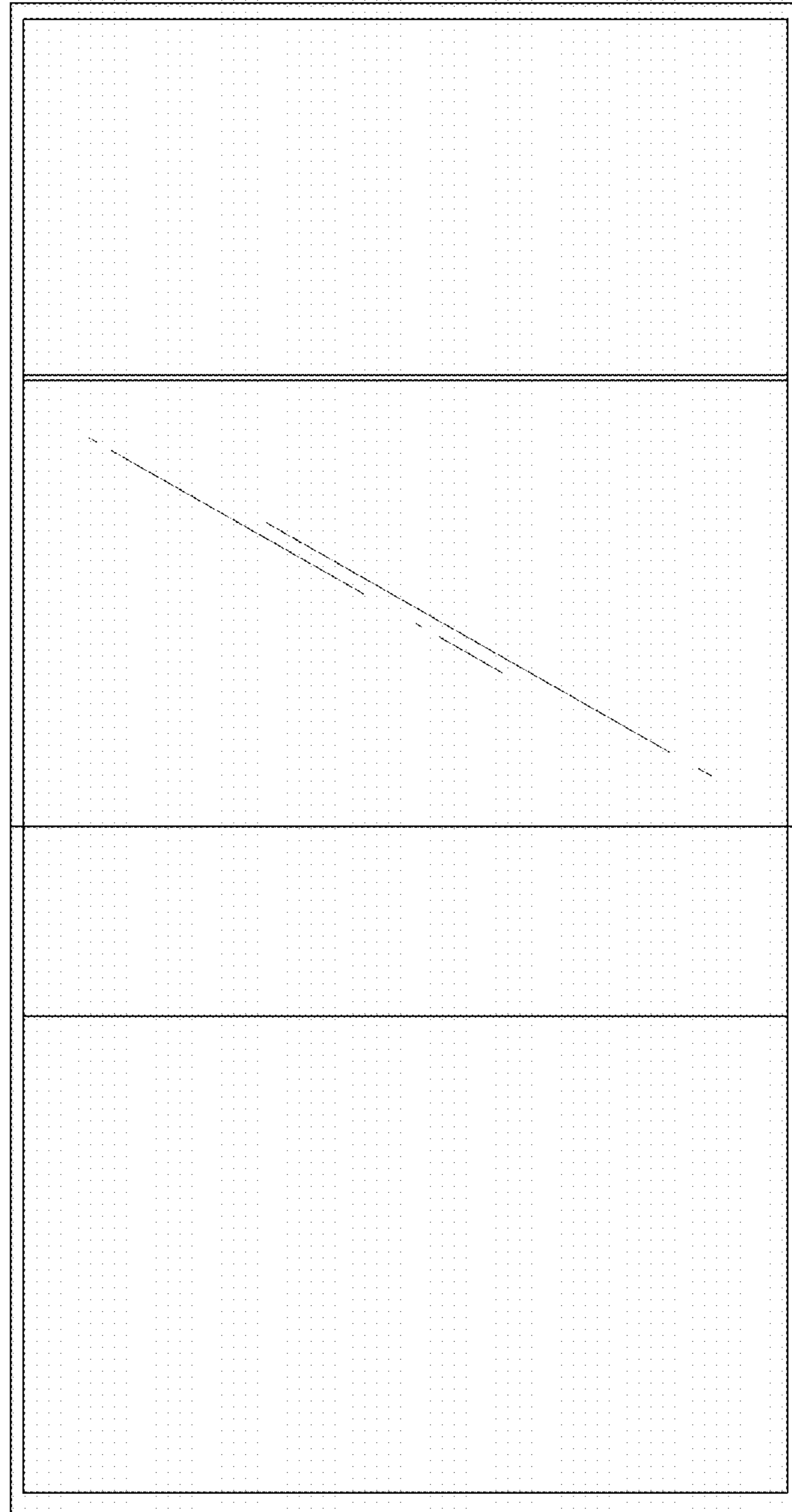


FIG. 3

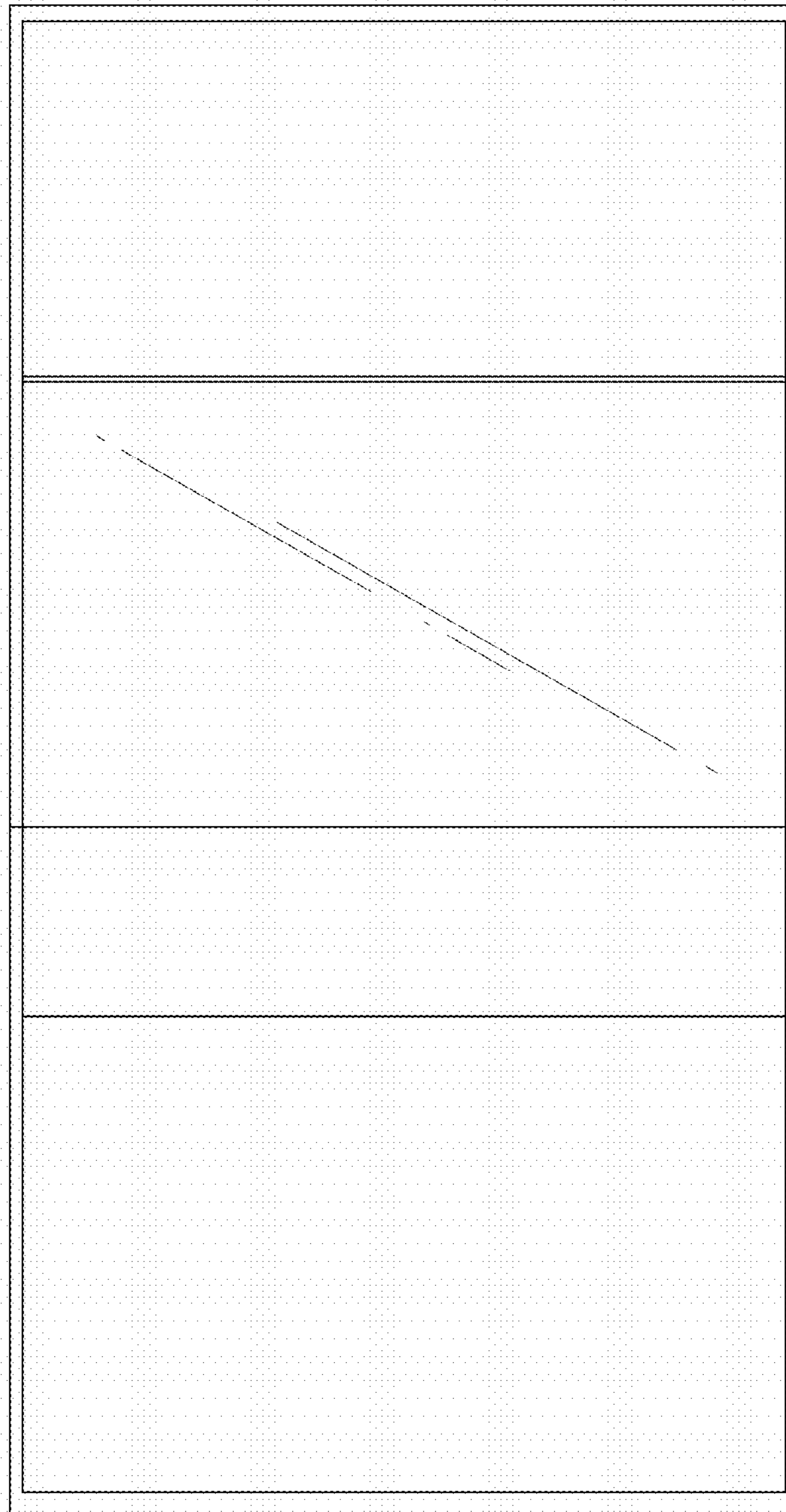


FIG. 4

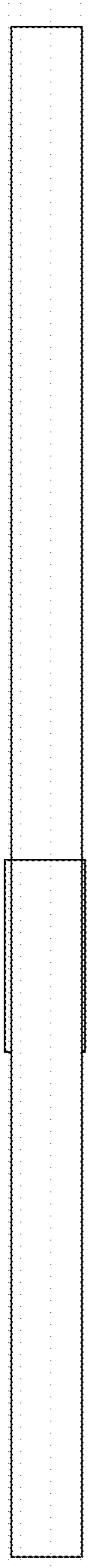


FIG. 5

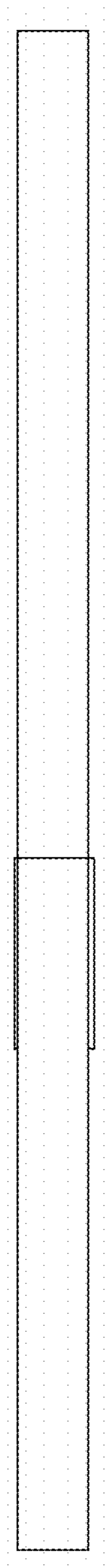




FIG. 6

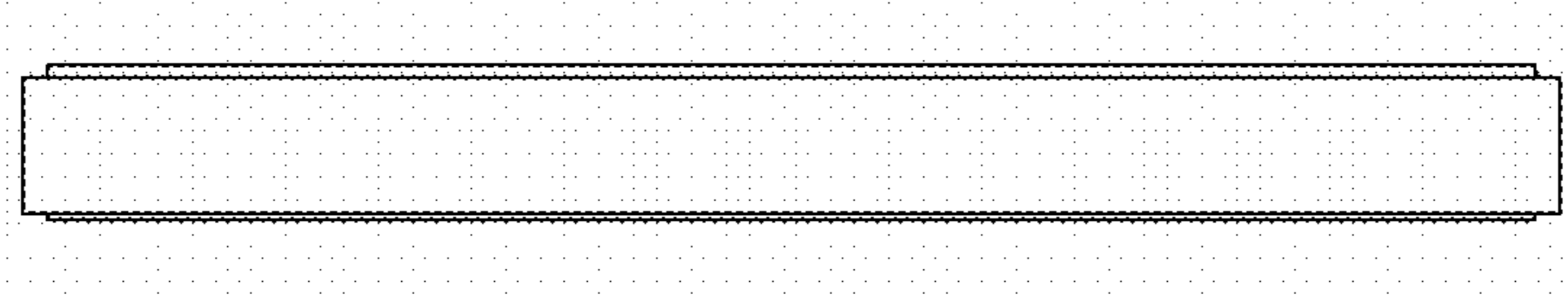


FIG. 7

