



US00D949970S

(12) **United States Design Patent** (10) **Patent No.:** **US D949,970 S**  
**Iwao** (45) **Date of Patent:** **\*\* Apr. 26, 2022**

(54) **BALLPOINT PEN**  
(71) Applicant: **KABUSHIKI KAISHA PILOT CORPORATION**, Tokyo (JP)  
(72) Inventor: **Genki Iwao**, Tokyo (JP)  
(73) Assignee: **KABUSHIKI KAISHA PILOT CORPORATION**, Tokyo (JP)  
(\*\*) Term: **15 Years**  
(21) Appl. No.: **29/726,912**  
(22) Filed: **Mar. 6, 2020**

(30) **Foreign Application Priority Data**  
Sep. 9, 2019 (JP) ..... 2019-020099  
Sep. 9, 2019 (JP) ..... 2019-020100  
(51) **LOC (13) Cl.** ..... **19-06**  
(52) **U.S. Cl.**  
USPC ..... **D19/171**  
(58) **Field of Classification Search**  
USPC ..... D19/115-204; D14/411  
CPC . B43K 5/005; B43K 7/12; B43K 8/00; B43K 8/02; B43K 8/04; B43K 8/06; B43K 21/003; B43K 21/006; B43K 21/06  
See application file for complete search history.

(56) **References Cited**  
U.S. PATENT DOCUMENTS  
D103,402 S \* 3/1937 Iannelli ..... D19/177  
D108,899 S \* 3/1938 Tammen et al. .... D19/170  
2,676,570 A \* 4/1954 Fahringer ..... B43K 24/12  
401/31  
D252,998 S \* 9/1979 Turner ..... D19/170  
D287,736 S \* 1/1987 Henkels ..... D19/186  
D359,983 S \* 7/1995 Rosenbaum ..... D19/170  
D363,309 S \* 10/1995 Carpani ..... D19/170  
D386,525 S \* 11/1997 Voegeli ..... D19/170

D397,723 S \* 9/1998 Izushima ..... D19/171  
D415,525 S \* 10/1999 Worther ..... D19/173  
D427,633 S \* 7/2000 Pellisa Beneyto ..... D19/174  
D456,846 S \* 5/2002 Pellisa Beneyto ..... D19/173  
D472,929 S \* 4/2003 Pellisa Beneyto ..... D19/174  
D485,299 S \* 1/2004 Bodino ..... D19/170  
D501,223 S \* 1/2005 Lecce ..... D19/174  
7,001,093 B2 \* 2/2006 Rosso ..... B43K 5/005  
401/131  
D523,081 S \* 6/2006 Pellisa Beneyto ..... D19/174  
D553,681 S \* 10/2007 Cetera ..... D19/171  
D575,341 S \* 8/2008 Pellisa Beneyto ..... D19/170  
D575,823 S \* 8/2008 Rommel ..... D19/170  
D620,047 S \* 7/2010 Rommel ..... D19/175

(Continued)

**FOREIGN PATENT DOCUMENTS**

EM 007742861-0001 \* 3/2020  
GB 9007742861-0001 \* 3/2020

(Continued)

*Primary Examiner* — Elizabeth A. Albert  
(74) *Attorney, Agent, or Firm* — Sughrue Mion, PLLC

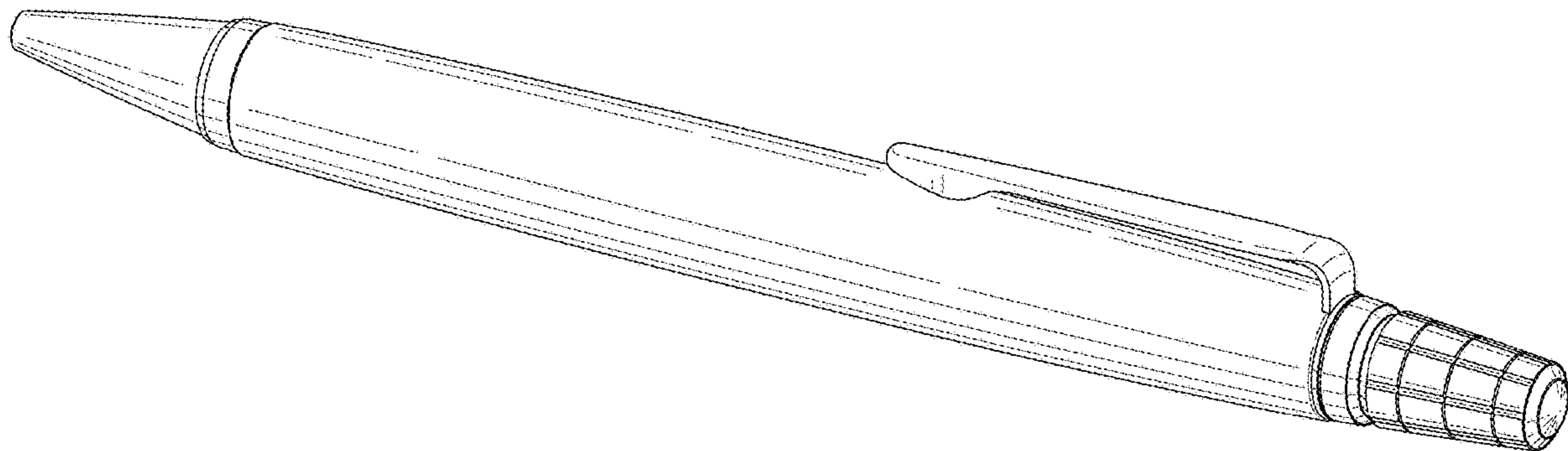
(57) **CLAIM**

The ornamental design for a ballpoint pen, as shown and described.

**DESCRIPTION**

FIG. 1 is a perspective view of a ballpoint pen according to a first embodiment showing my new design;  
FIG. 2 is a front view thereof;  
FIG. 3 is a rear view thereof;  
FIG. 4 is a left side view thereof;  
FIG. 5 is a right side view thereof;  
FIG. 6 is a top view thereof, a bottom view being a mirror image; and,  
FIG. 7 is a front view of usage.  
The broken lines illustrate portions of the ballpoint pen and form no part of the claimed design.

**1 Claim, 3 Drawing Sheets**



(56)

**References Cited**

U.S. PATENT DOCUMENTS

D624,591 S \* 9/2010 Koehler ..... D19/171  
D641,402 S \* 7/2011 Tan ..... D19/166  
D658,715 S \* 5/2012 Greenberg ..... D19/171  
D830,462 S \* 10/2018 Takashi ..... D19/173  
2011/0103875 A1\* 5/2011 Huang ..... B43K 8/03  
401/104  
2016/0129722 A1\* 5/2016 Csokmay ..... B43K 8/003  
401/6

FOREIGN PATENT DOCUMENTS

JP D1657916 \* 4/2020  
JP D1657917 \* 4/2020

\* cited by examiner

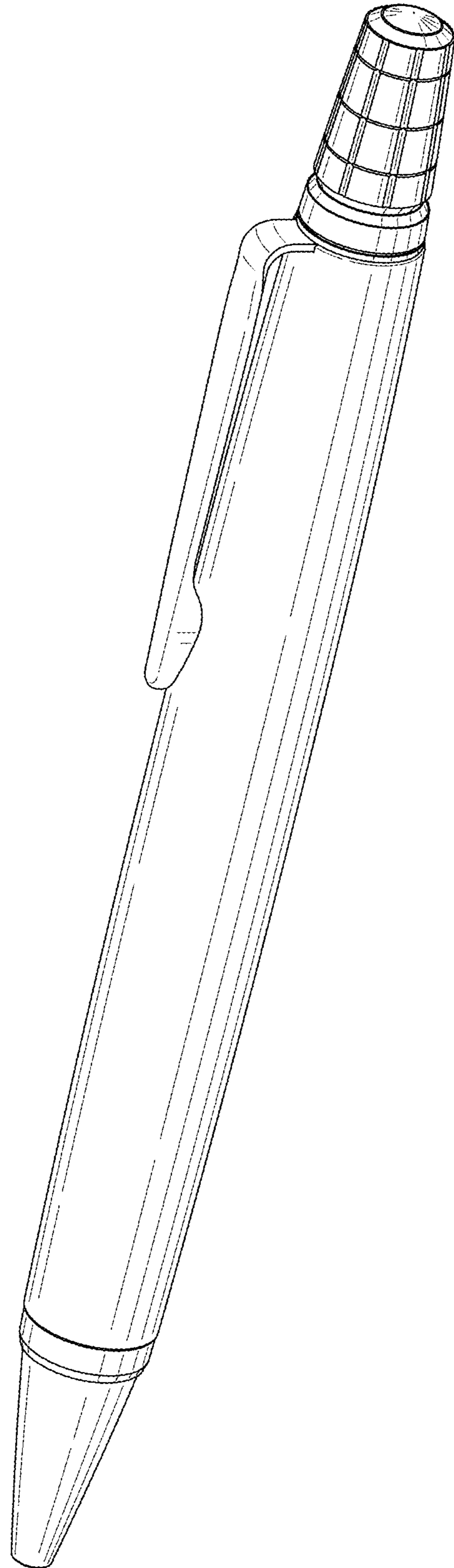


FIG. 1

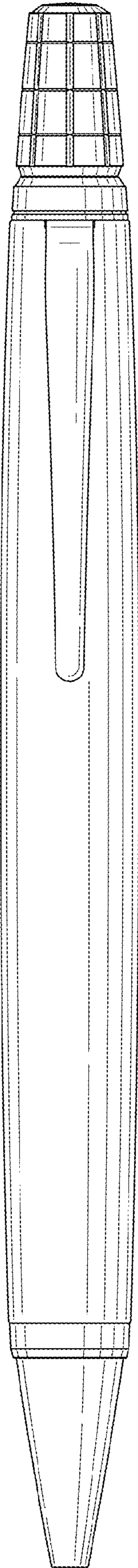


FIG. 2

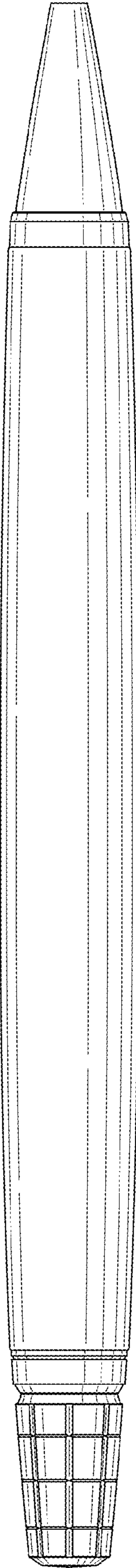


FIG. 3

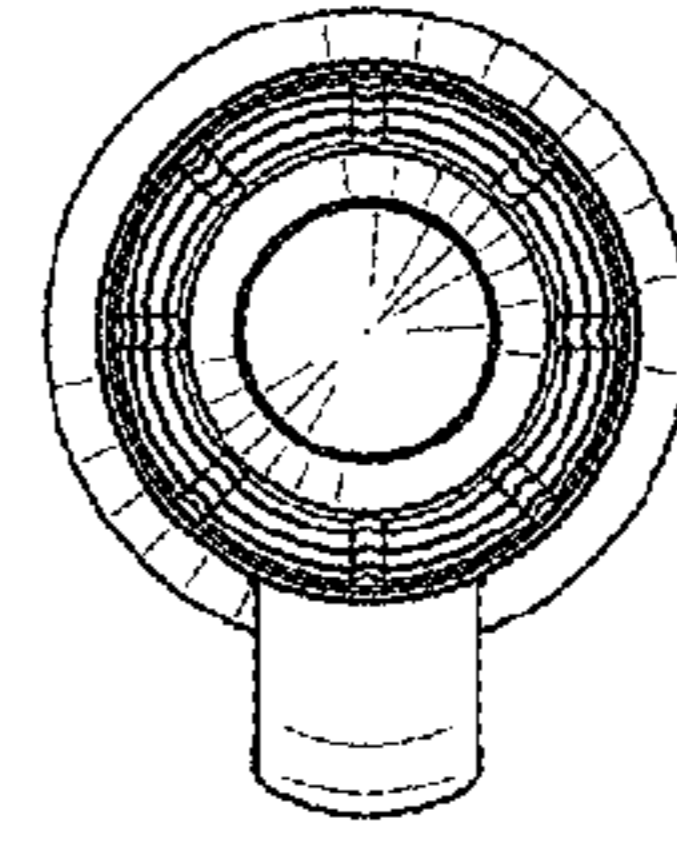


FIG. 5

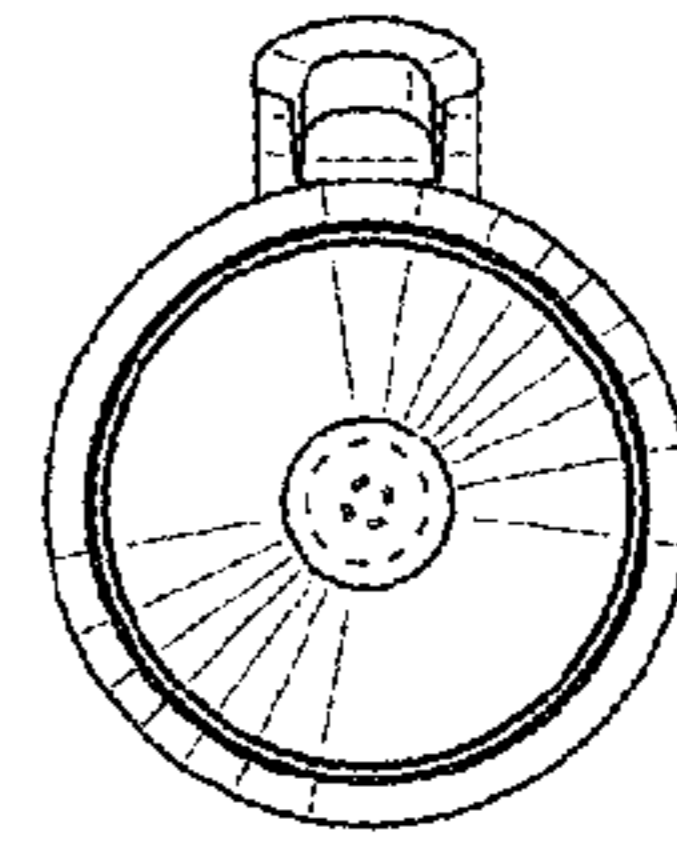


FIG. 4

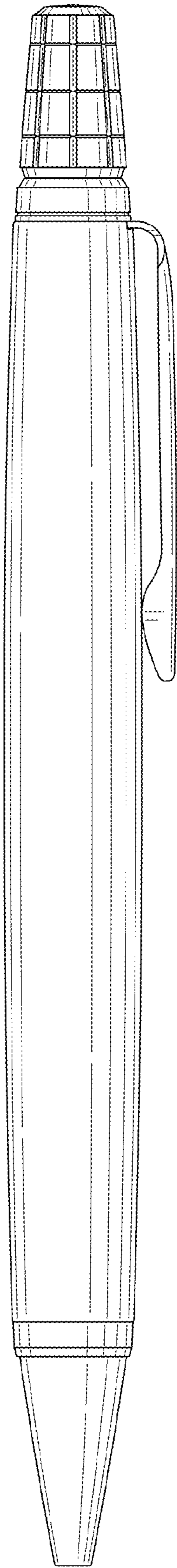


FIG. 6

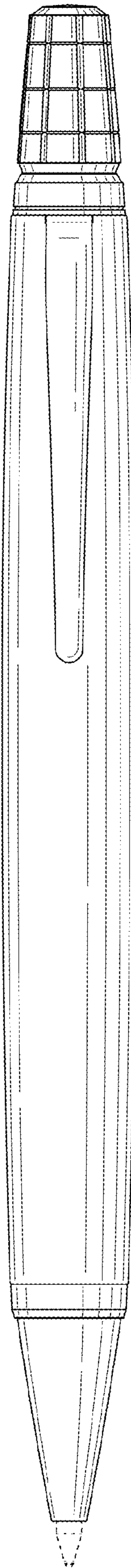


FIG. 7