



US00D949969S

(12) **United States Design Patent** (10) **Patent No.:** **US D949,969 S**
Amaya (45) **Date of Patent:** **** Apr. 26, 2022**

- (54) **BINDER MECHANISM**
- (71) Applicant: **CCL Label, Inc.**, Framingham, MA (US)
- (72) Inventor: **Manuel Amaya**, San Diego, CA (US)
- (73) Assignee: **CCL LABEL, INC.**, Framingham, MA (US)
- (**) Term: **15 Years**
- (21) Appl. No.: **29/713,848**
- (22) Filed: **Nov. 19, 2019**
- (51) **LOC (13) Cl.** **19-04**
- (52) **U.S. Cl.**
USPC **D19/32**
- (58) **Field of Classification Search**
USPC D19/32, 26, 27, 28, 29, 30, 49, 100
CPC B42F 13/16; B42F 13/165; B42F 13/18;
B42F 13/20; B42F 13/22; B42F 13/24;
B42F 13/26; B42F 13/28; B42F 13/30;
B42F 13/32; B42F 13/34; B42F 13/36;
B42F 13/38; B42F 13/40; B42F 3/00;
B42F 3/003; B42F 3/006; B42F 3/02;
B42F 3/04; B42F 3/06; B42F 5/00; B42F
5/005; B42F 5/02; B42F 5/04; B42F
5/06; B42F 13/02; B42F 13/04; B42F
13/06; B42F 13/08; B42F 13/10; B42F
13/12; B42F 13/14; B42D 5/00
See application file for complete search history.

(56) **References Cited**

U.S. PATENT DOCUMENTS

- D391,290 S * 2/1998 Chan D19/27
- 6,045,286 A * 4/2000 Tung B42F 13/26
402/26
- D457,559 S * 5/2002 To D19/27
- 7,404,685 B2 * 7/2008 Cheng B42F 13/26
402/26

- 8,480,326 B1 * 7/2013 Wong B42F 13/26
402/30
- 9,499,007 B1 * 11/2016 Whaley B42F 13/20
- 9,827,808 B1 * 11/2017 Yip B42F 13/20
- 2005/0013654 A1 * 1/2005 Cheng B42F 13/26
402/36

(Continued)

FOREIGN PATENT DOCUMENTS

- CA 2492191 A1 * 9/2005 B42F 13/26
- CN 303276606 * 7/2015

(Continued)

OTHER PUBLICATIONS

Compliance Signs. Link: <https://www.compliancesigns.com/pd/5s/3-inch-d-3-ring-wall-mount-binder-30hwm3r>. Visited Jan. 1, 2022.
3 inch D 3 Ring Wall Mount Binder. (Year: 2022).*

(Continued)

Primary Examiner — Lauren D McVey
(74) *Attorney, Agent, or Firm* — McDonald Hopkins LLC

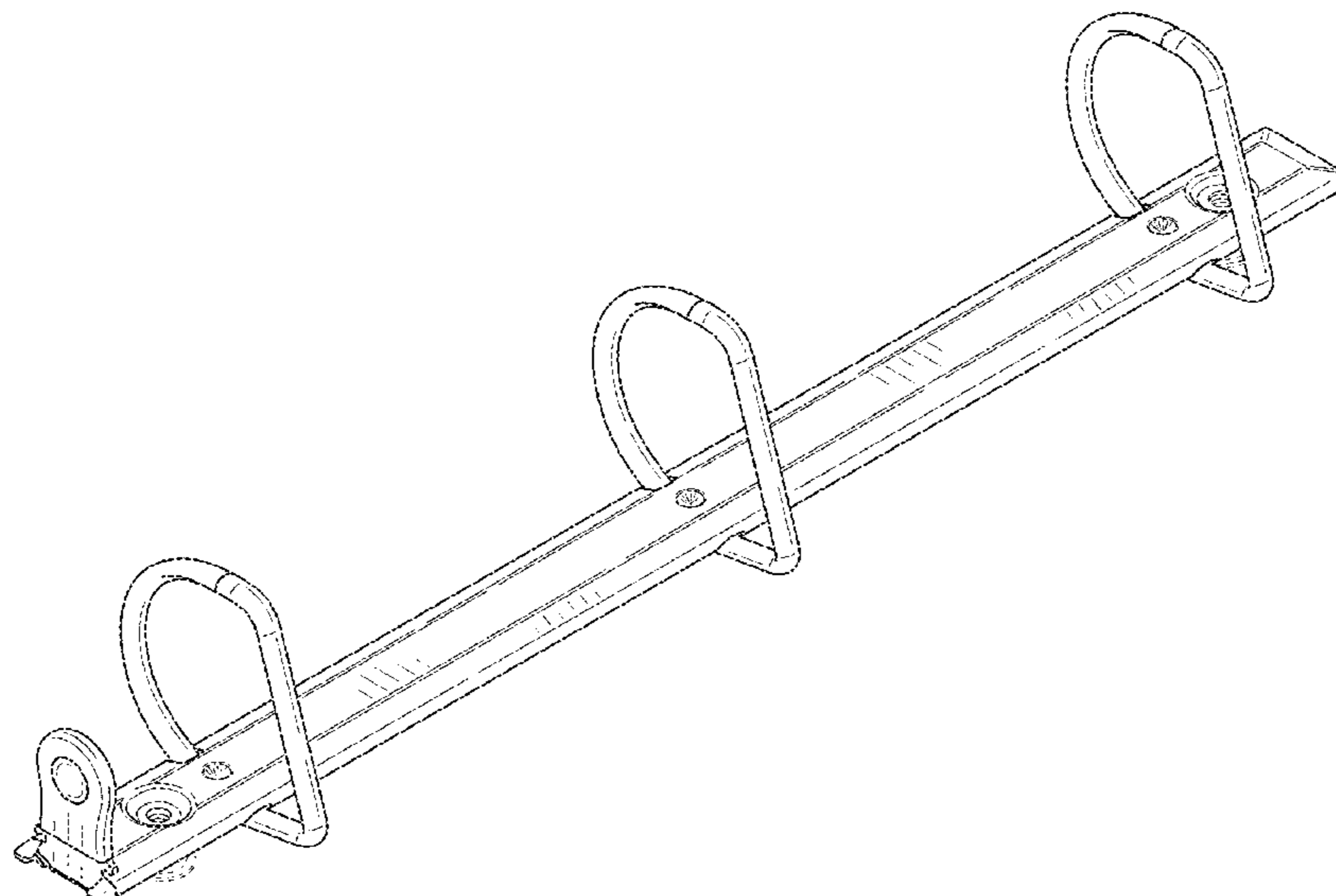
(57) **CLAIM**

The ornamental design for binder mechanism, as shown and described.

DESCRIPTION

FIG. 1 is a front view of a binder mechanism showing my new design;
FIG. 2 is a front view thereof;
FIG. 3 is a rear view thereof;
FIG. 4 is a first side view thereof;
FIG. 5 is a second view thereof;
FIG. 6 is a top view thereof; and,
FIG. 7 is a bottom view thereof.
The broken lines in the figures are included for the purpose of illustrating portions of a binder mechanism and form no part of the claimed design.

1 Claim, 4 Drawing Sheets



(56)

References Cited

U.S. PATENT DOCUMENTS

2005/0201818 A1* 9/2005 Cheng B42F 13/26
402/73
2005/0201820 A1* 9/2005 Ng B42F 13/26
402/73
2006/0088364 A1* 4/2006 Whaley B42F 13/26
402/38
2006/0088365 A1* 4/2006 Whaley B42F 13/26
402/38
2006/0228164 A1* 10/2006 Horn B42F 13/26
402/31

FOREIGN PATENT DOCUMENTS

CN 306392156 * 3/2021
EP 1598211 A2 * 11/2005 B42F 13/22
EP 1854643 A2 * 11/2007 B42F 13/26

OTHER PUBLICATIONS

Compliance Signs. Link: <https://www.compliancesigns.com/pd/5s/1-inch-d-3-ring-wall-mount-binder-30hwm1r>. Visited Jan. 1, 2022. 1 inch D 3 Ring Wall Mount Binder. (Year: 2022).*

Bar C Saddlery. Link: <https://barcsaddlery.com/binder-ring-mechanism-3-ring-2-slant-d-letter-sizequality-locking/>. Visited Jan. 1, 2022. Binder Ring Mechanism 3-Ring, 2" Slant 'D' Letter SizeQuality Locking. (Year: 2022).*

Amazon. Link: https://www.amazon.com/dp/B06XY59RV4/ref=cm_sw_em_r_mt_dp_GNE9R42HW4BD444RK38X. Sep. 19, 2016. Ring Binder Mechanism, 3 Slant D-Ring, 2.5 Inch Capacity. (Year: 2016).*

* cited by examiner

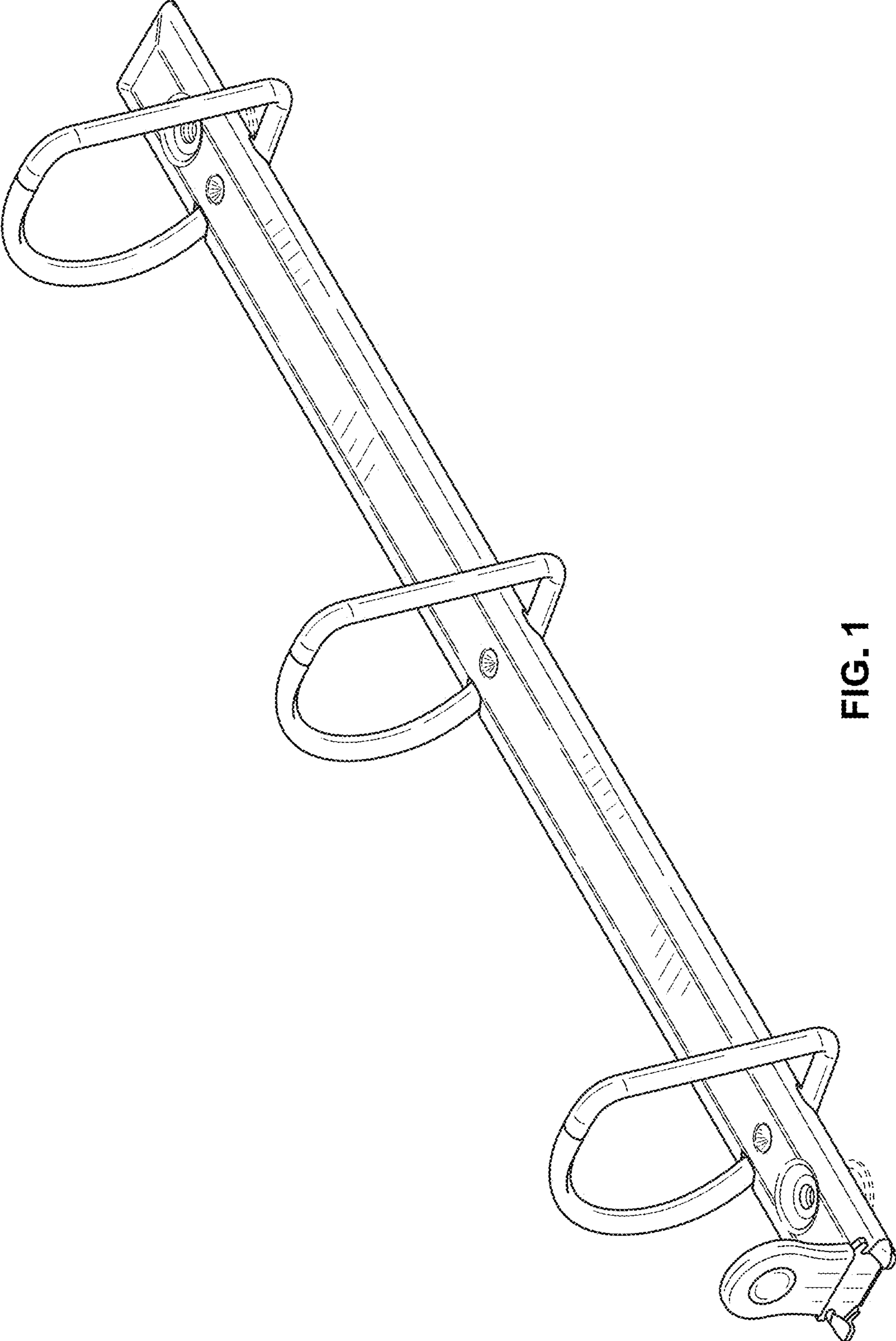


FIG. 1

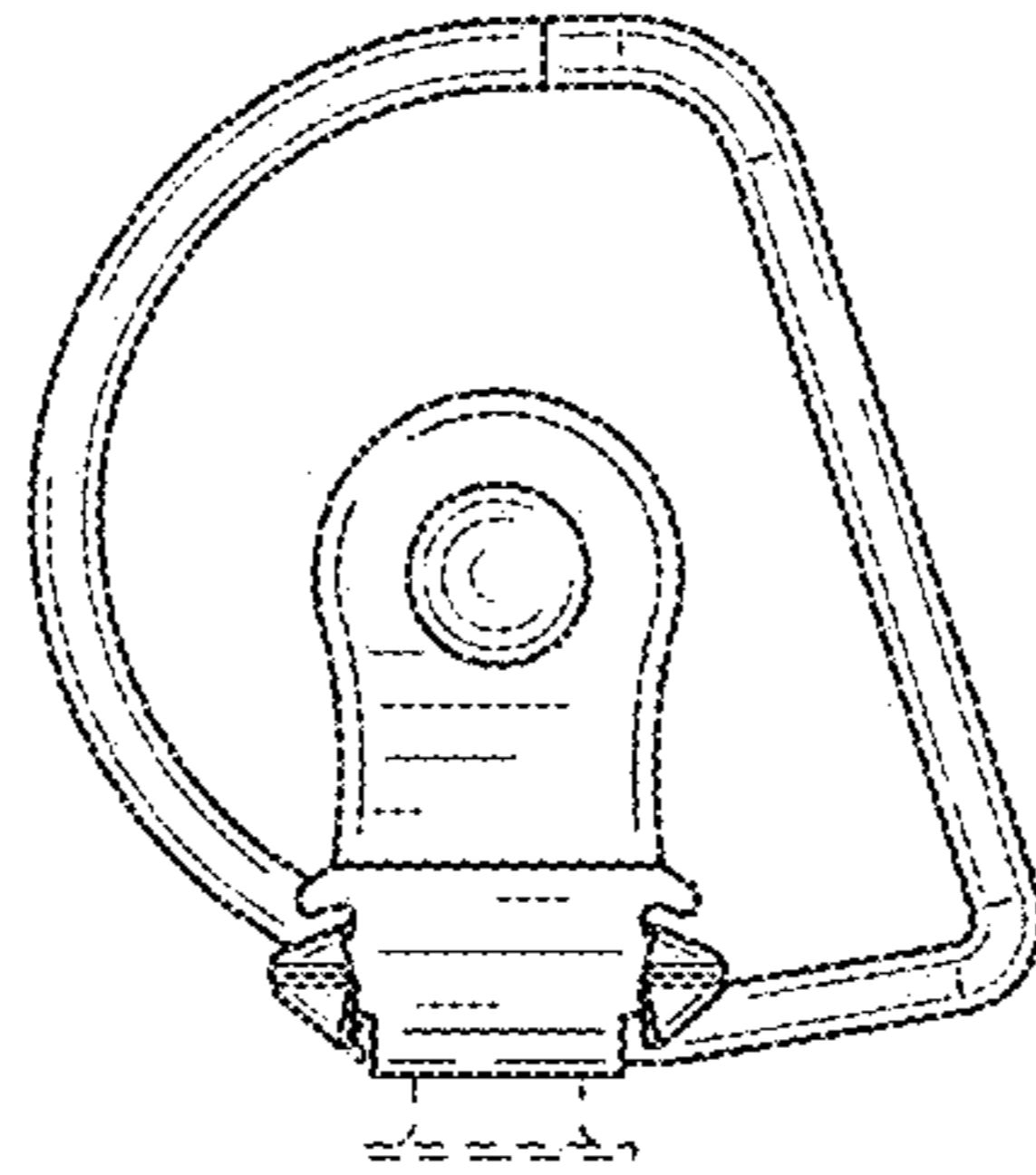


FIG. 2

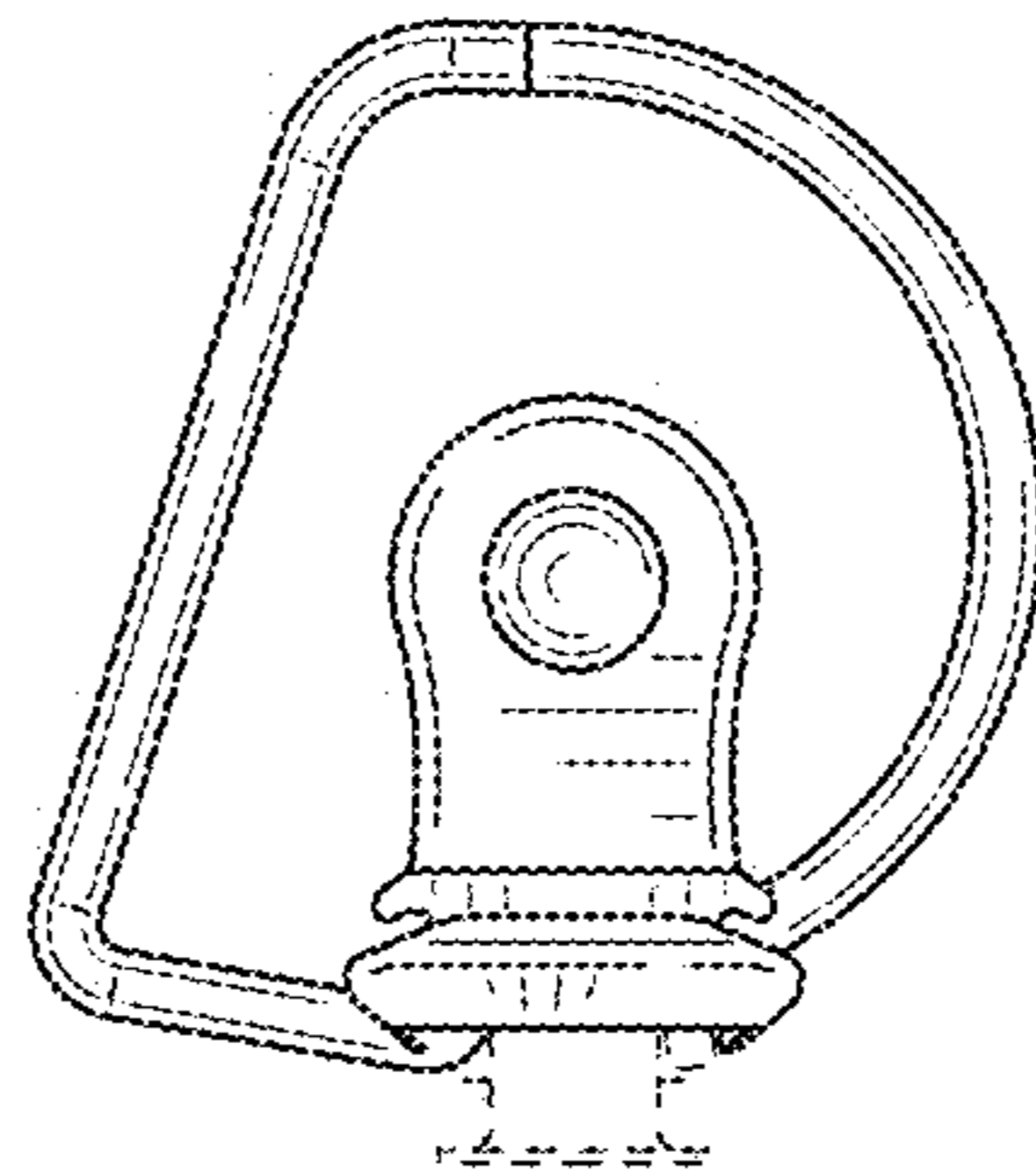


FIG. 3

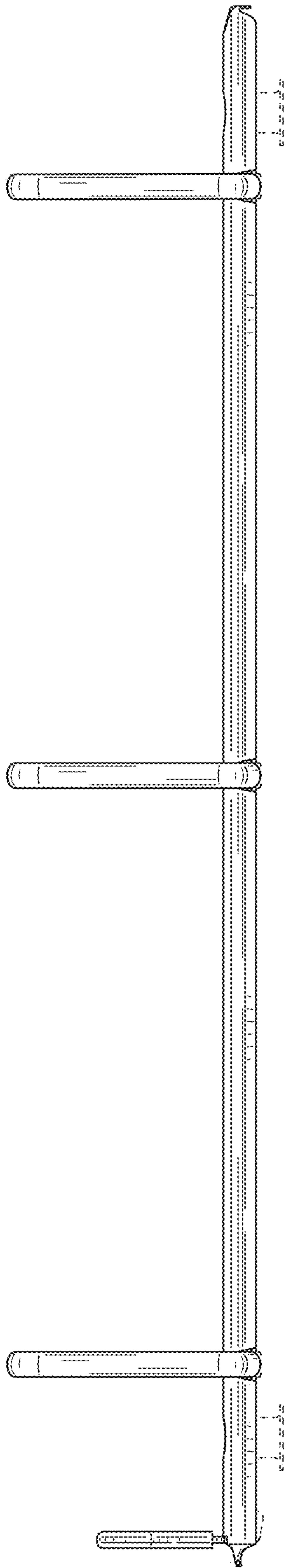


FIG. 4

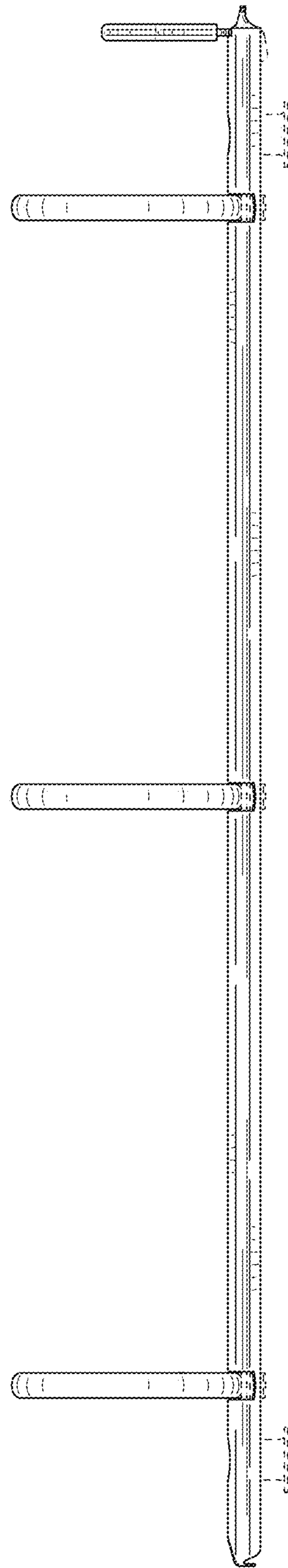


FIG. 5

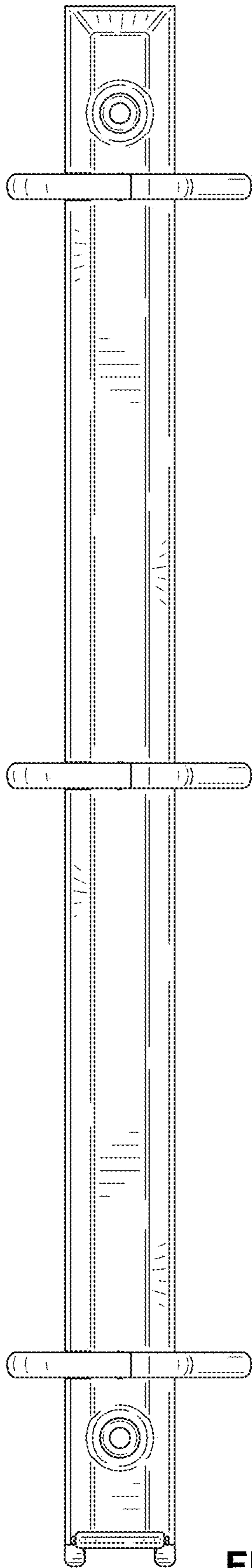


FIG. 6

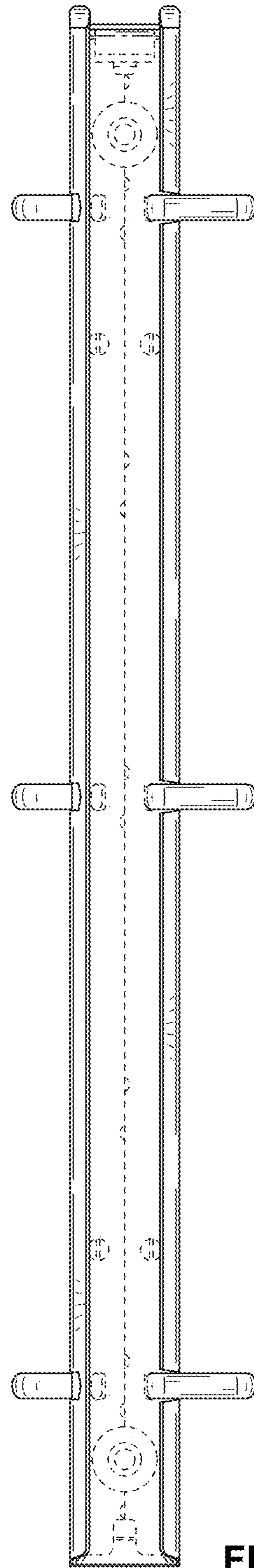


FIG. 7