

US00D949968S

(12) **United States Design Patent**
Wingfield et al.

(10) **Patent No.:** **US D949,968 S**

(45) **Date of Patent:** **** Apr. 26, 2022**

(54) **ADVENT CALENDAR**

15/0006; G09F 15/0062; G09F 15/0068;
G09F 15/0012; G09F 2007/1834; G09F
2007/1856

(71) Applicant: **The Yankee Candle Company, Inc.**,
South Deerfield, MA (US)

See application file for complete search history.

(72) Inventors: **Lauren Wingfield**, Charlotte, NC (US);
Joanna Fischer, Charlotte, NC (US);
Holly Coggins, Charlotte, NC (US)

(56) **References Cited**

U.S. PATENT DOCUMENTS

D721,133 S * 1/2015 Andre D19/20

* cited by examiner

Primary Examiner — Abraham Bahta

(73) Assignee: **The Yankee Candle Company, Inc.**,
South Deerfield, MA (US)

(**) Term: **15 Years**

(57) **CLAIM**

(21) Appl. No.: **29/736,992**

The ornamental design for an advent calendar, as shown and described.

(22) Filed: **Jun. 4, 2020**

DESCRIPTION

(51) **LOC (13) Cl.** **19-03**

(52) **U.S. Cl.**

USPC **D19/20**

(58) **Field of Classification Search**

USPC D19/1-12, 20-34, 75-77, 86, 59, 91,
D19/113; 40/124.01-124.15, 726,
40/109-110, 107, 113-118, 358, 649,
40/642.02; 283/2-3; D20/10, 20, 27, 40,
D20/15, 43, 39, 41-42; 368/28, 276-278;
D10/15, 2-3; 206/214-215; 281/44;
248/148; 211/13.1, 50, 24;
D25/140-141

CPC .. B42D 15/022; B42D 15/027; B42D 15/045;
B42D 15/042; B42D 25/00; B42D 25/20;
B42D 25/23; B42D 25/26; B42D 25/29;
B42D 25/30; B42D 25/285; B42D
2033/02; B42D 2033/04; B42D 2033/10;
B42D 2033/16; B42D 2033/18; B42D
2033/20; B42D 2033/22; B42D 2033/28;
B42D 2033/30; B43L 1/00; B43L 1/008;
B43L 1/08; B43L 1/04; B43L 5/00; B43L
5/02; G09F 1/12; G09F 15/00; G09F

FIG. 1 is a perspective view of an embodiment of the advent calendar in an unfolded opened configuration, showing our new design;

FIG. 2 is a front view thereof;

FIG. 3 is a back view thereof;

FIG. 4 is a left view thereof;

FIG. 5 is a right view thereof;

FIG. 6 is a top view thereof;

FIG. 7 is a bottom view thereof;

FIG. 8 is a perspective view of an embodiment of advent calendar in a closed configuration;

FIG. 9 is a front view thereof;

FIG. 10 is a back view thereof;

FIG. 11 is a left view thereof;

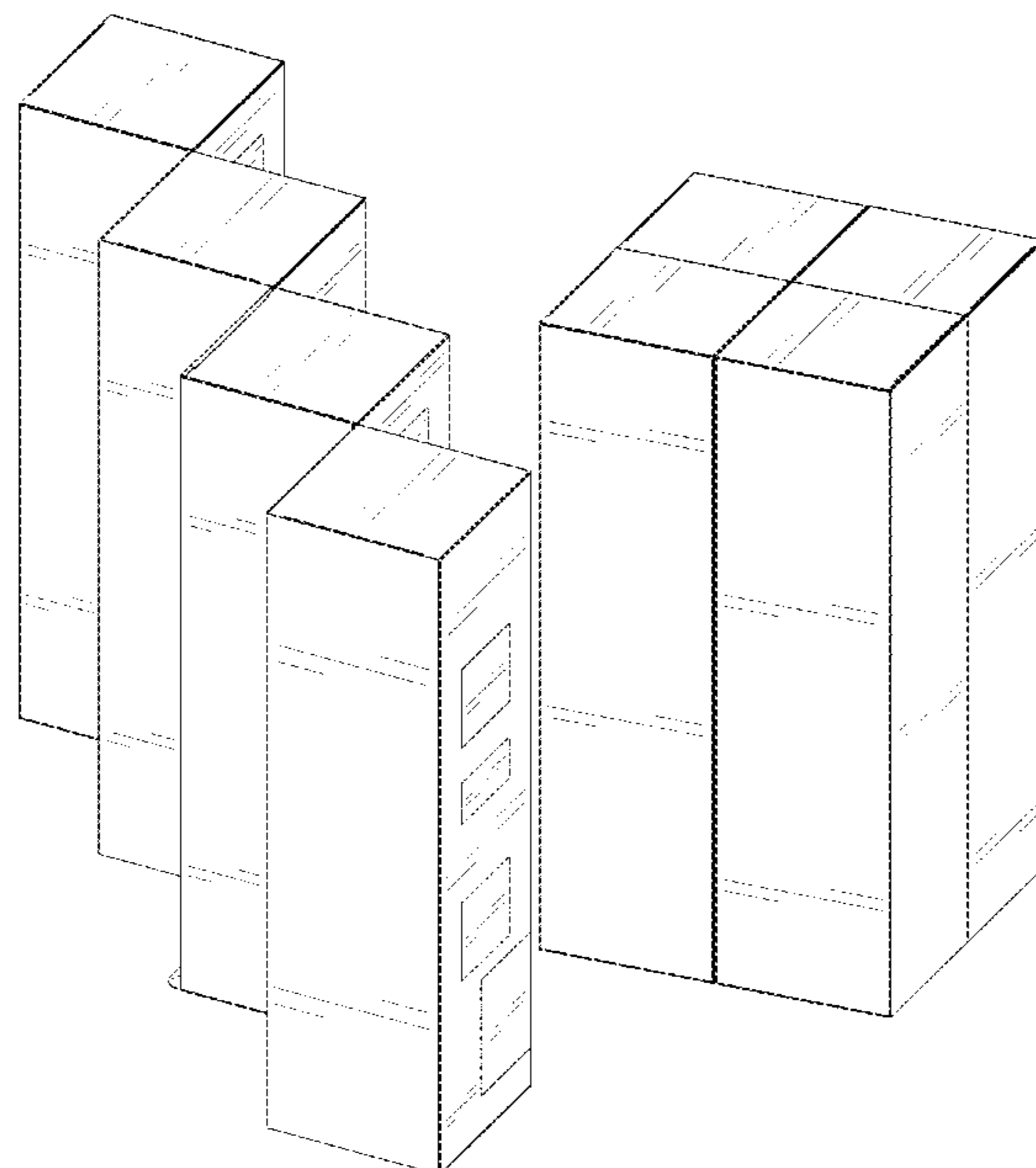
FIG. 12 is a right view thereof;

FIG. 13 is a top view thereof; and,

FIG. 14 is a bottom view thereof.

The subject matter shown in dashed lines is for illustrative purposes and forms no part of the claimed design.

1 Claim, 13 Drawing Sheets



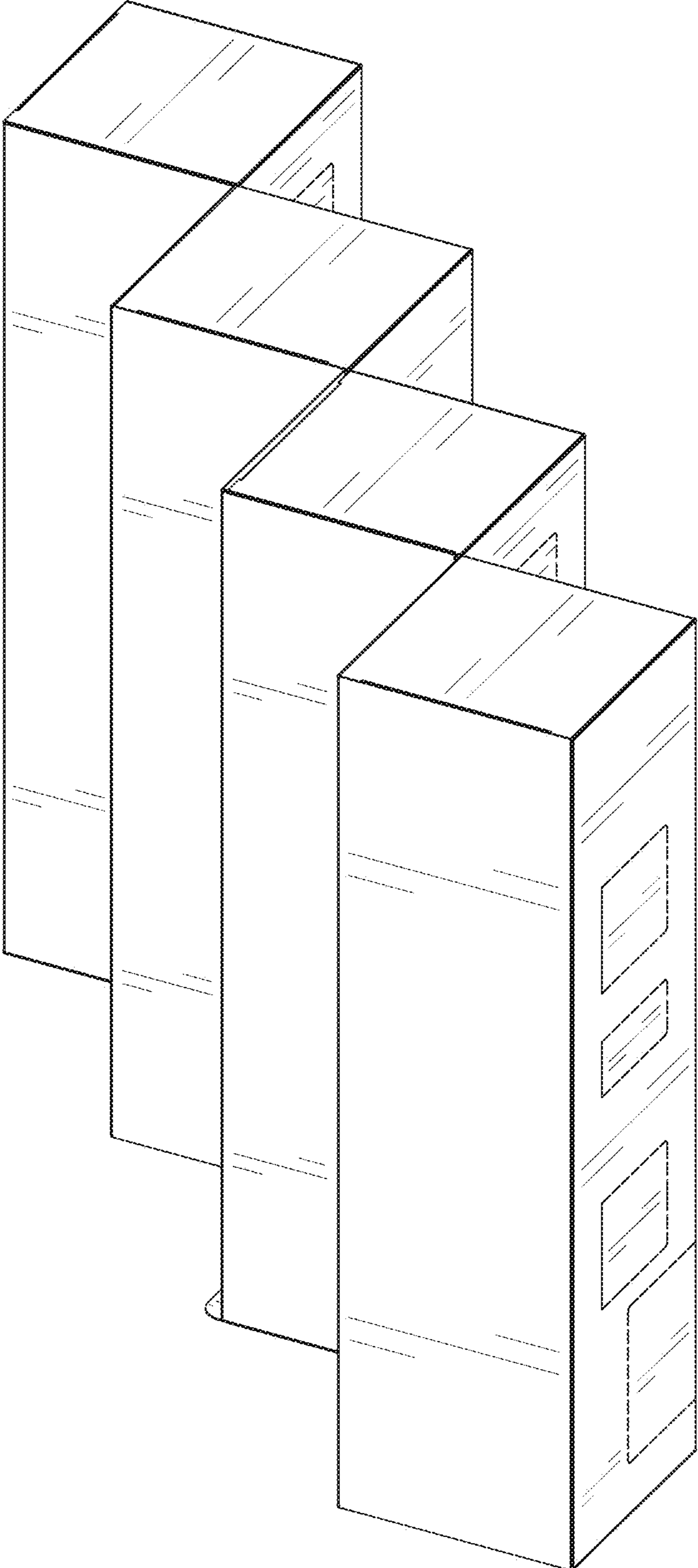


FIG. 1

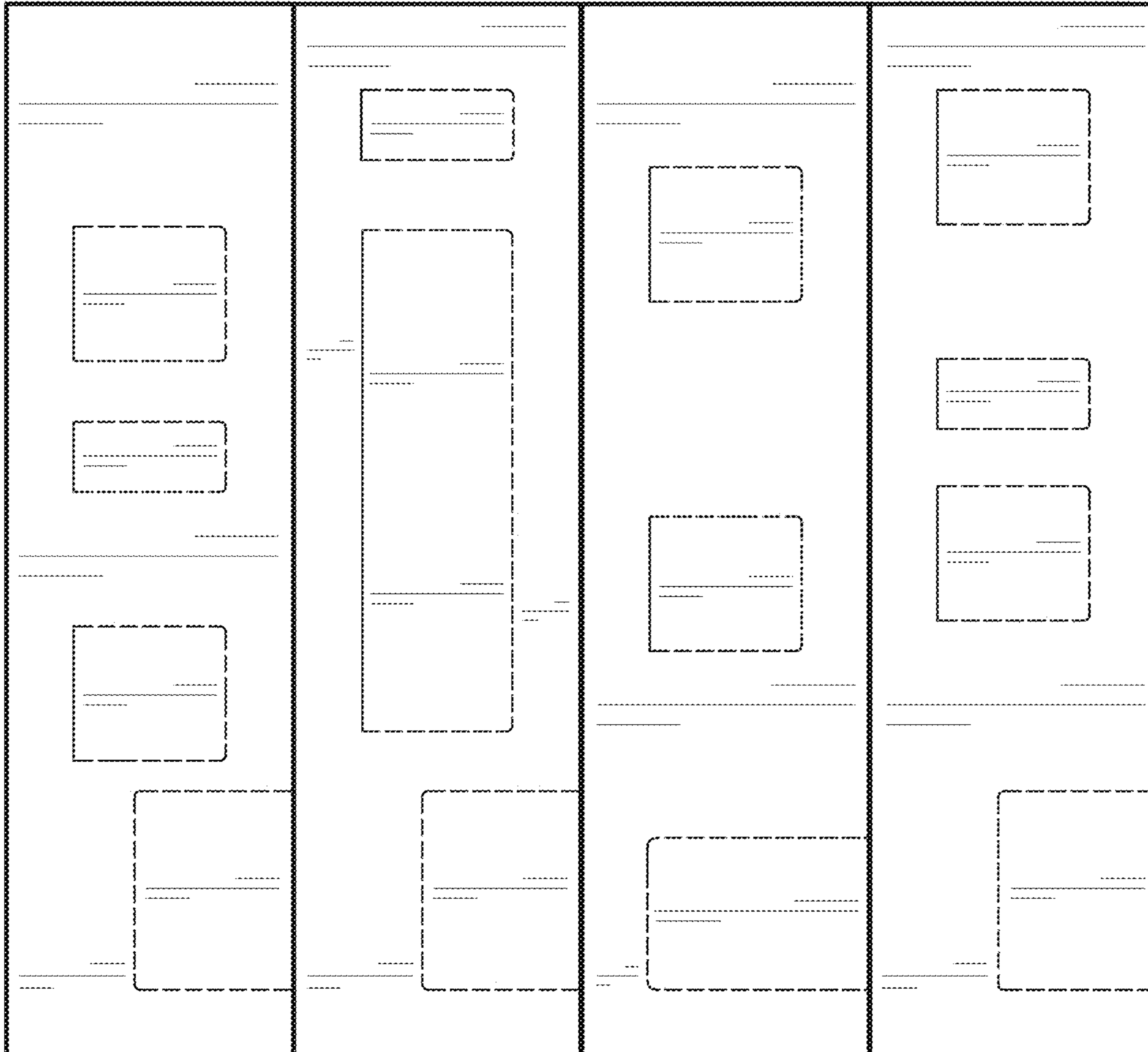


FIG. 2

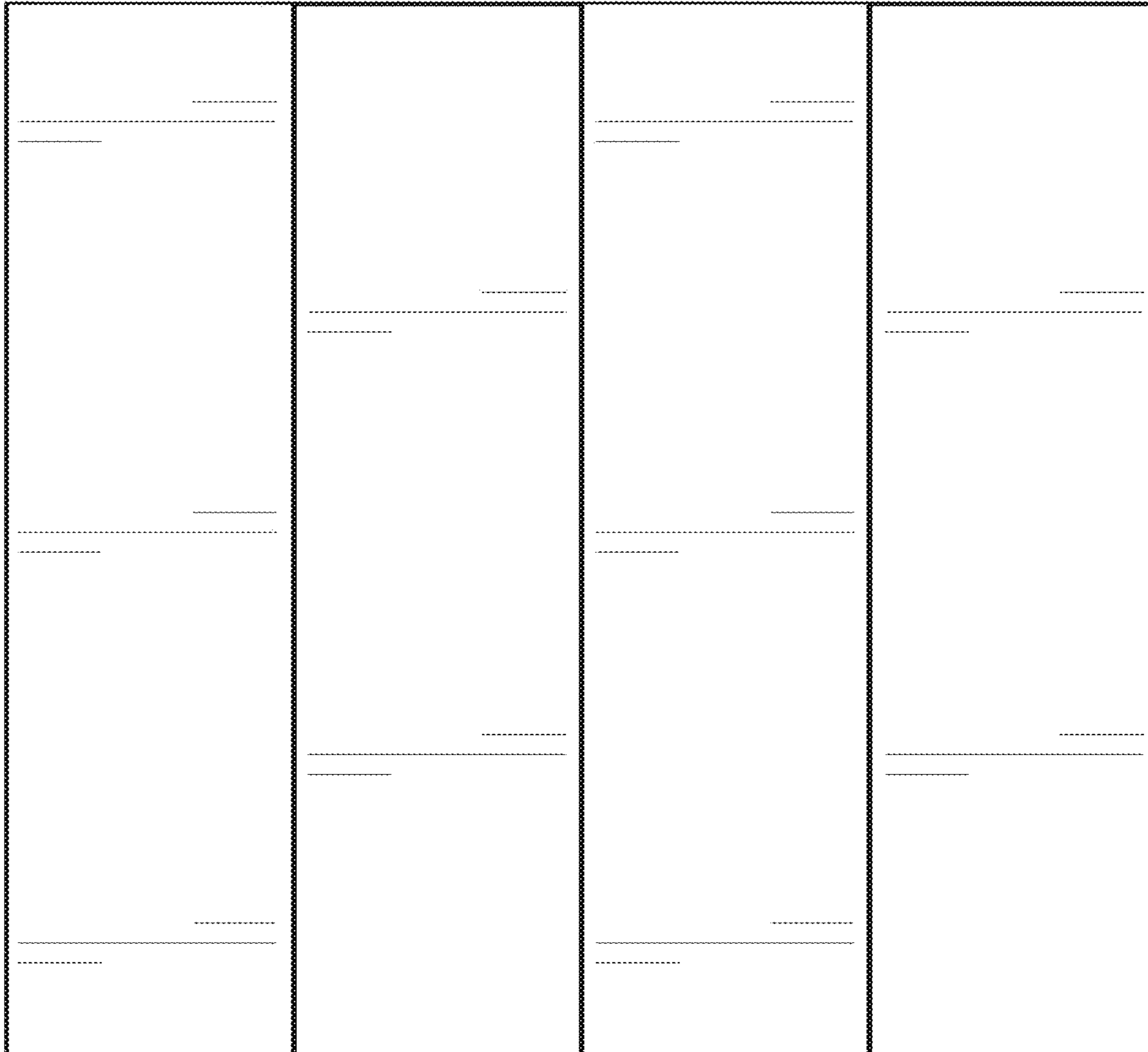


FIG. 3

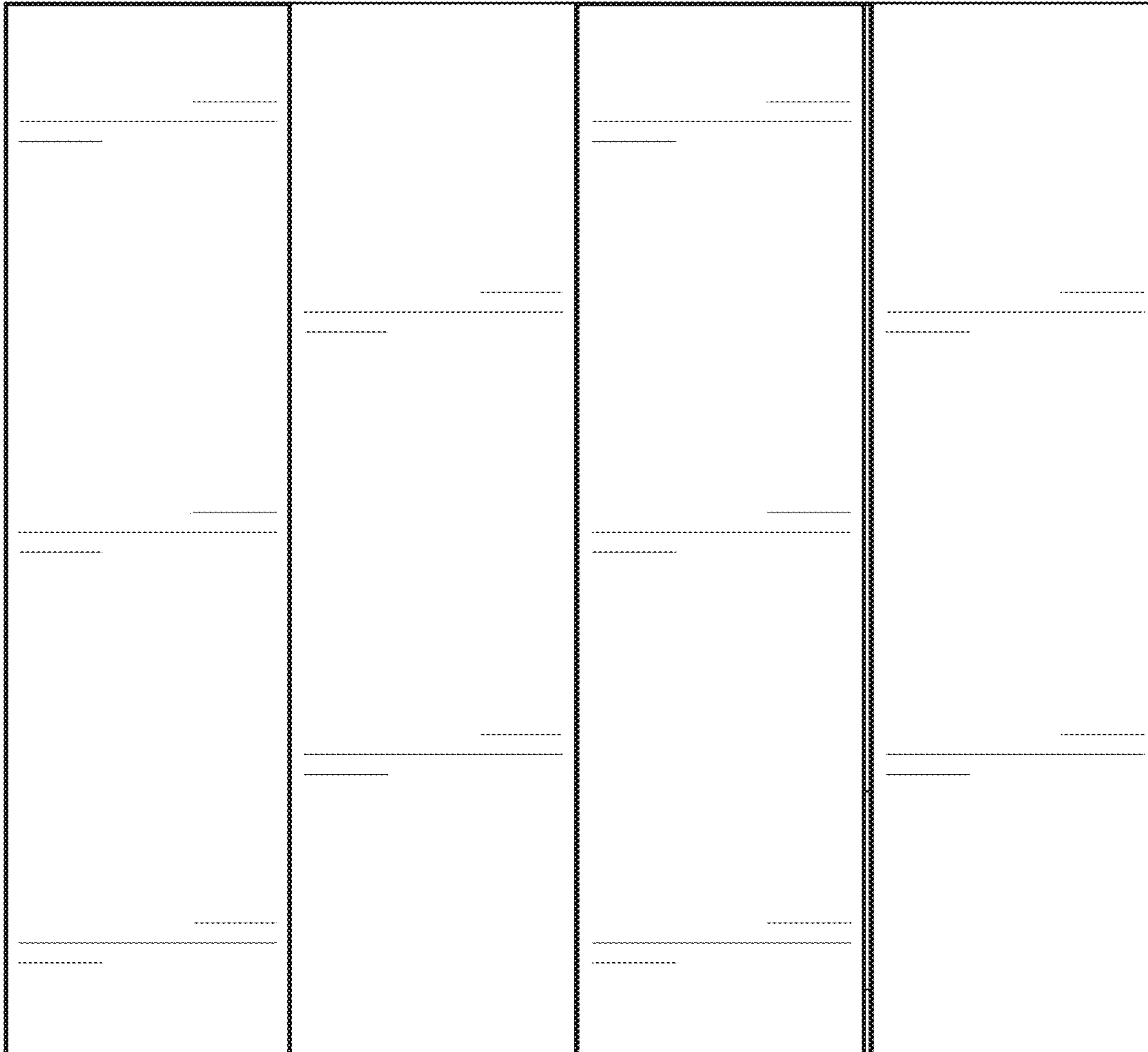


FIG. 4

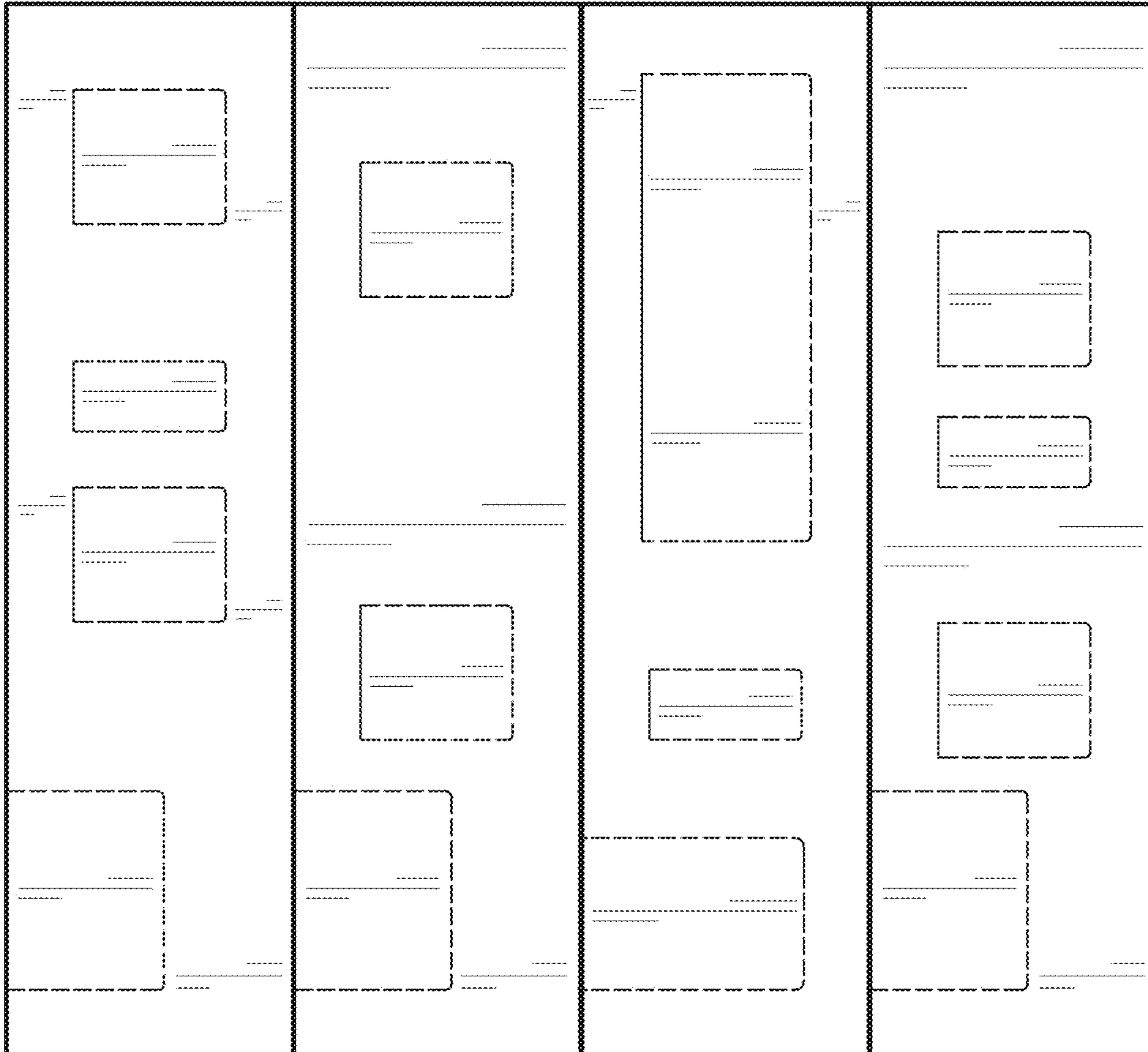


FIG. 5

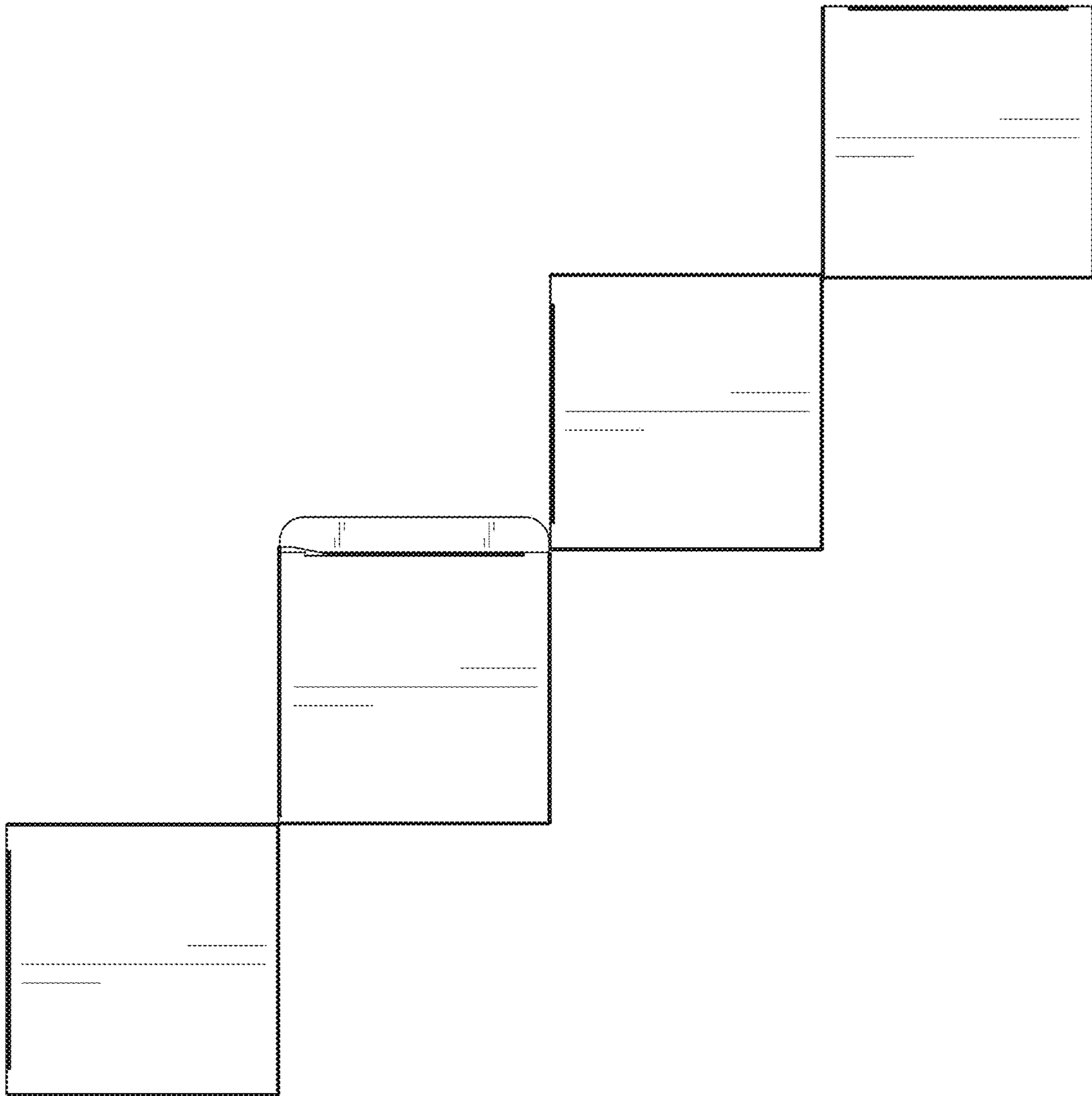


FIG. 6

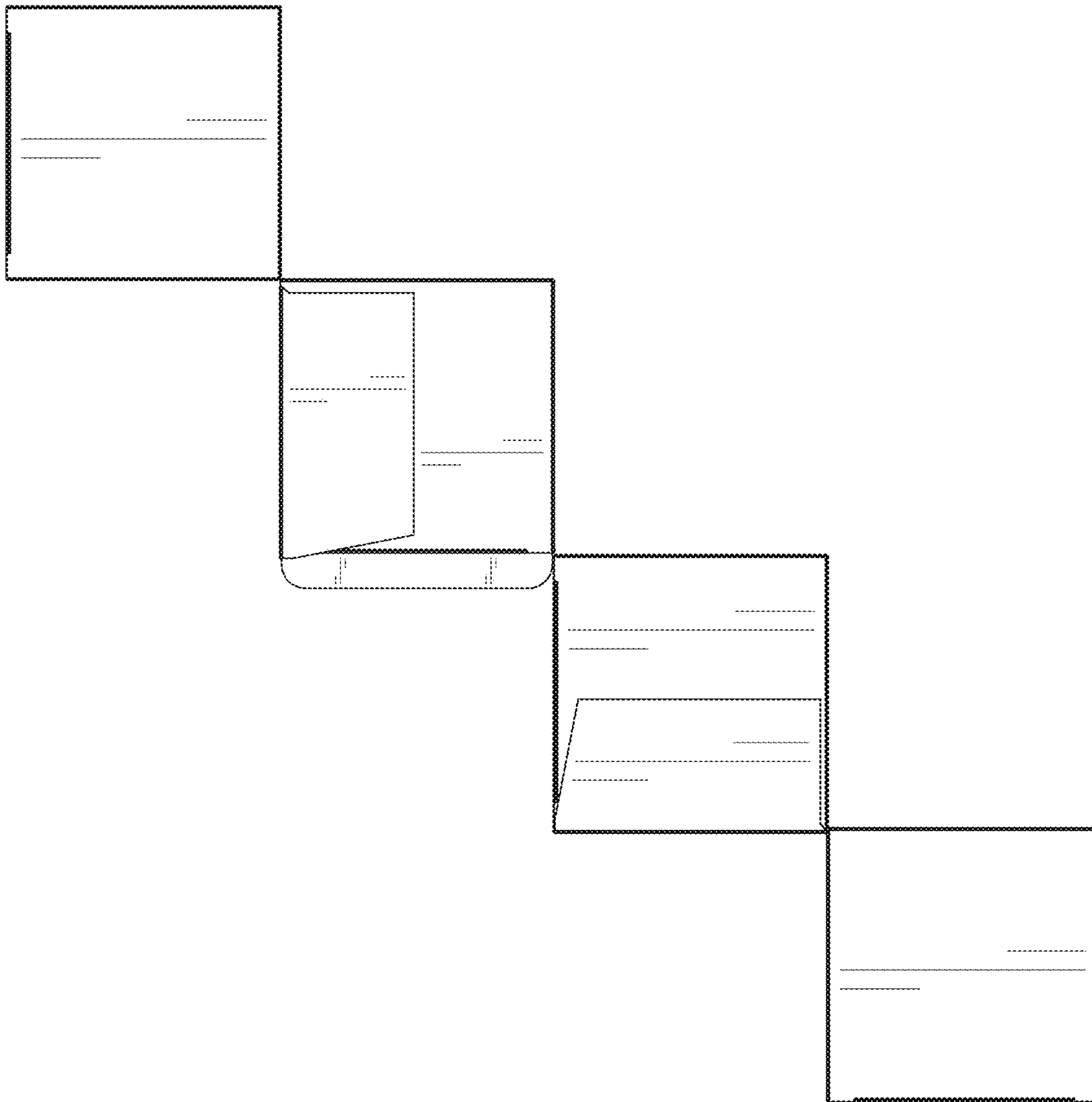


FIG. 7

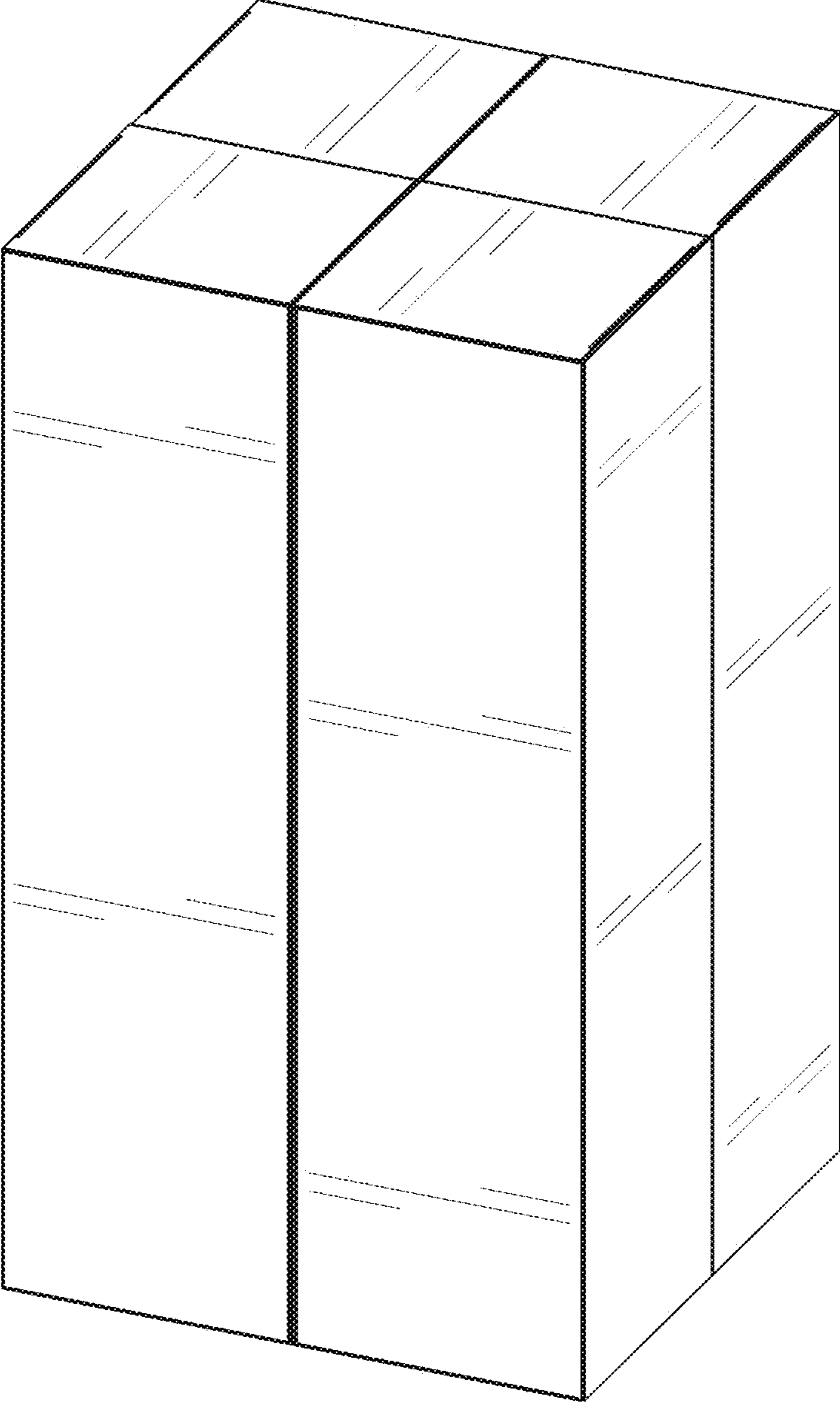


FIG. 8

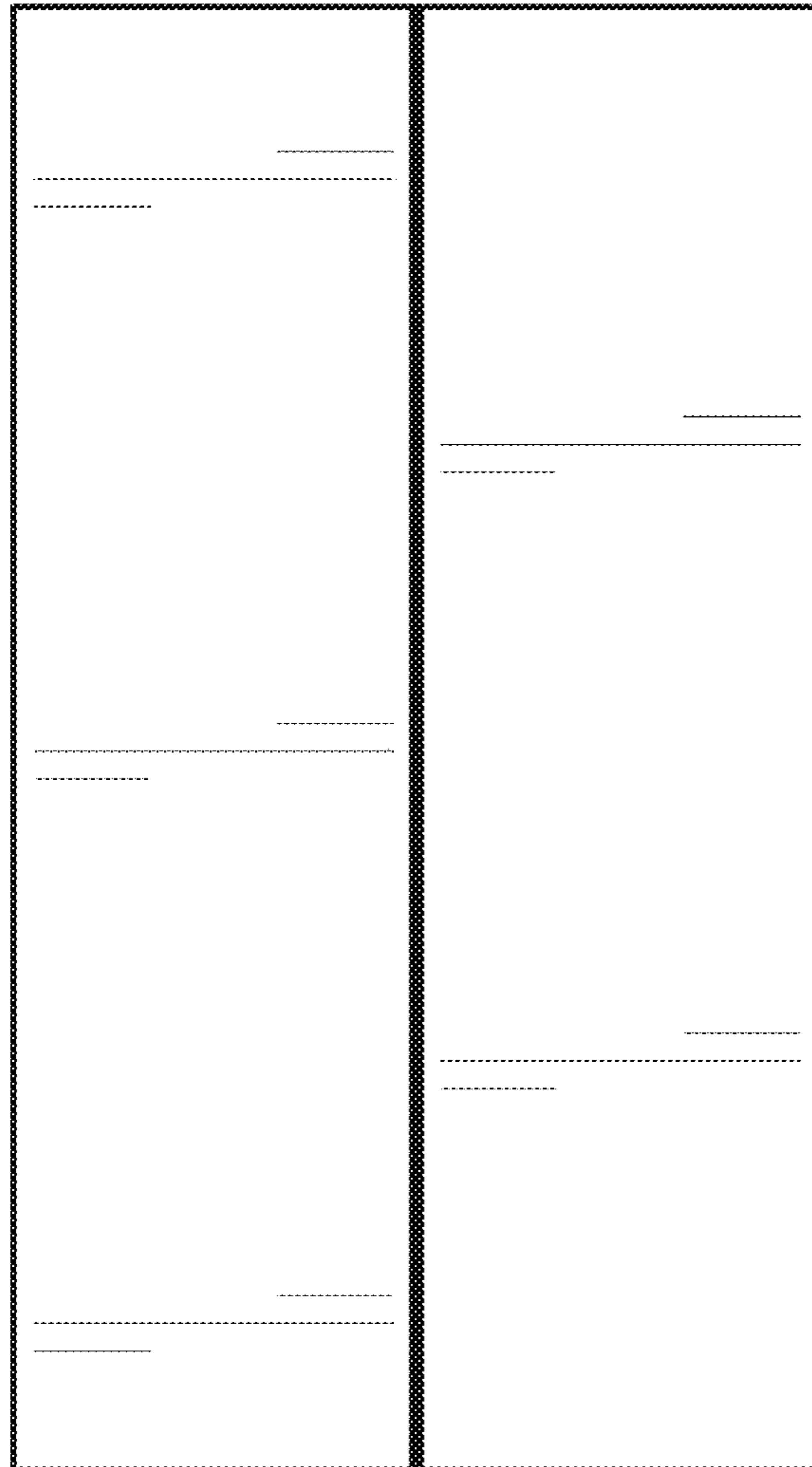


FIG. 9

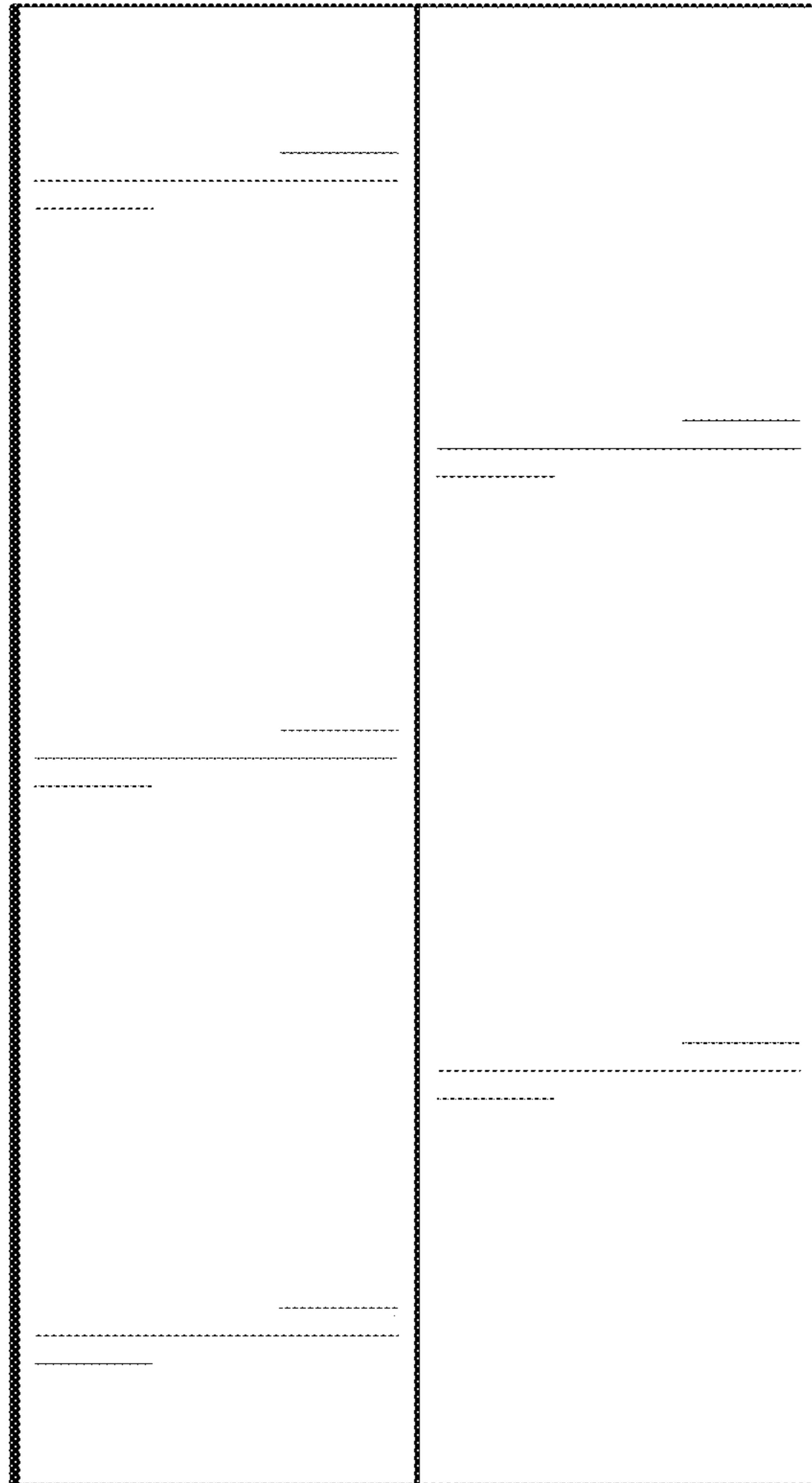


FIG. 10

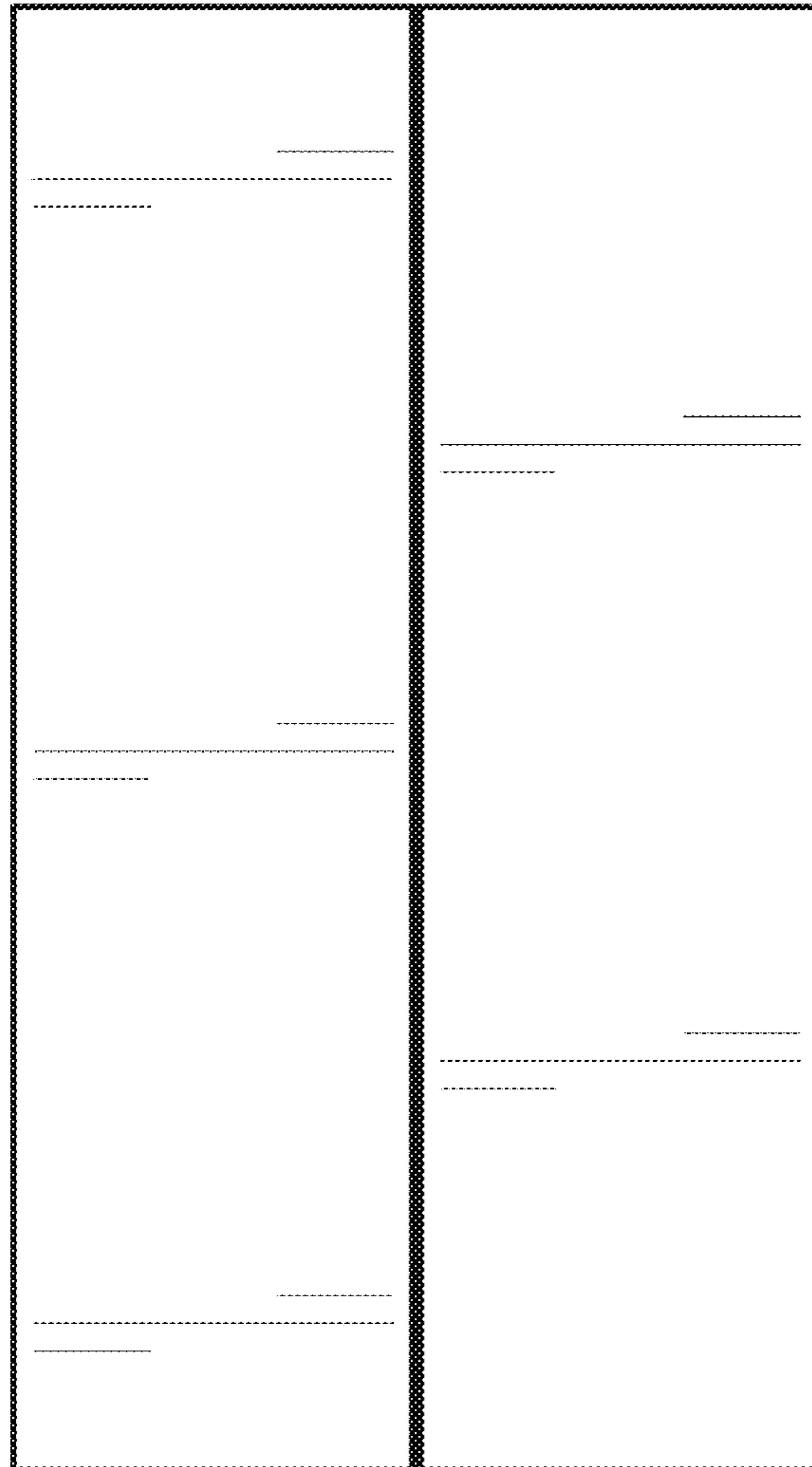


FIG. 11

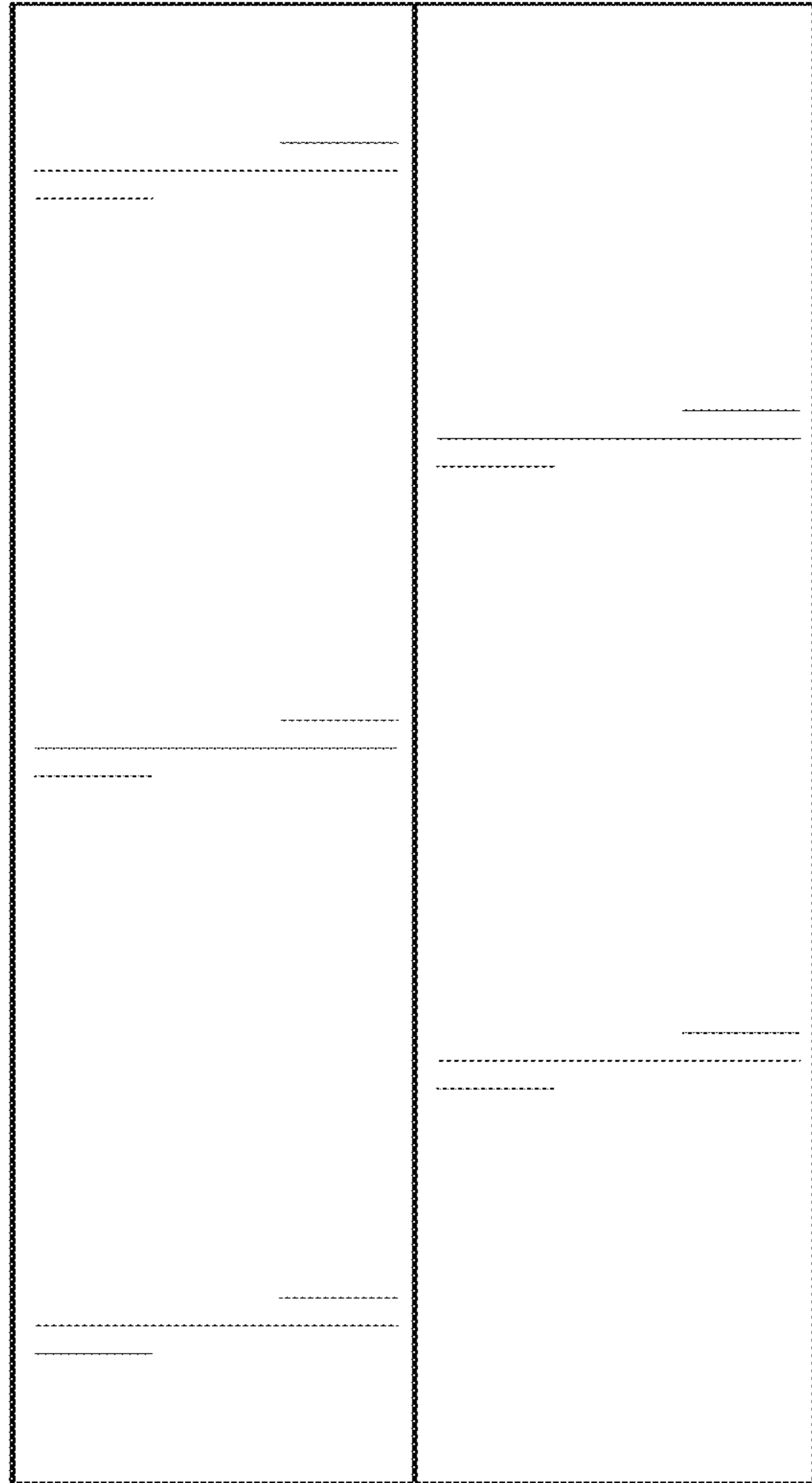


FIG. 12

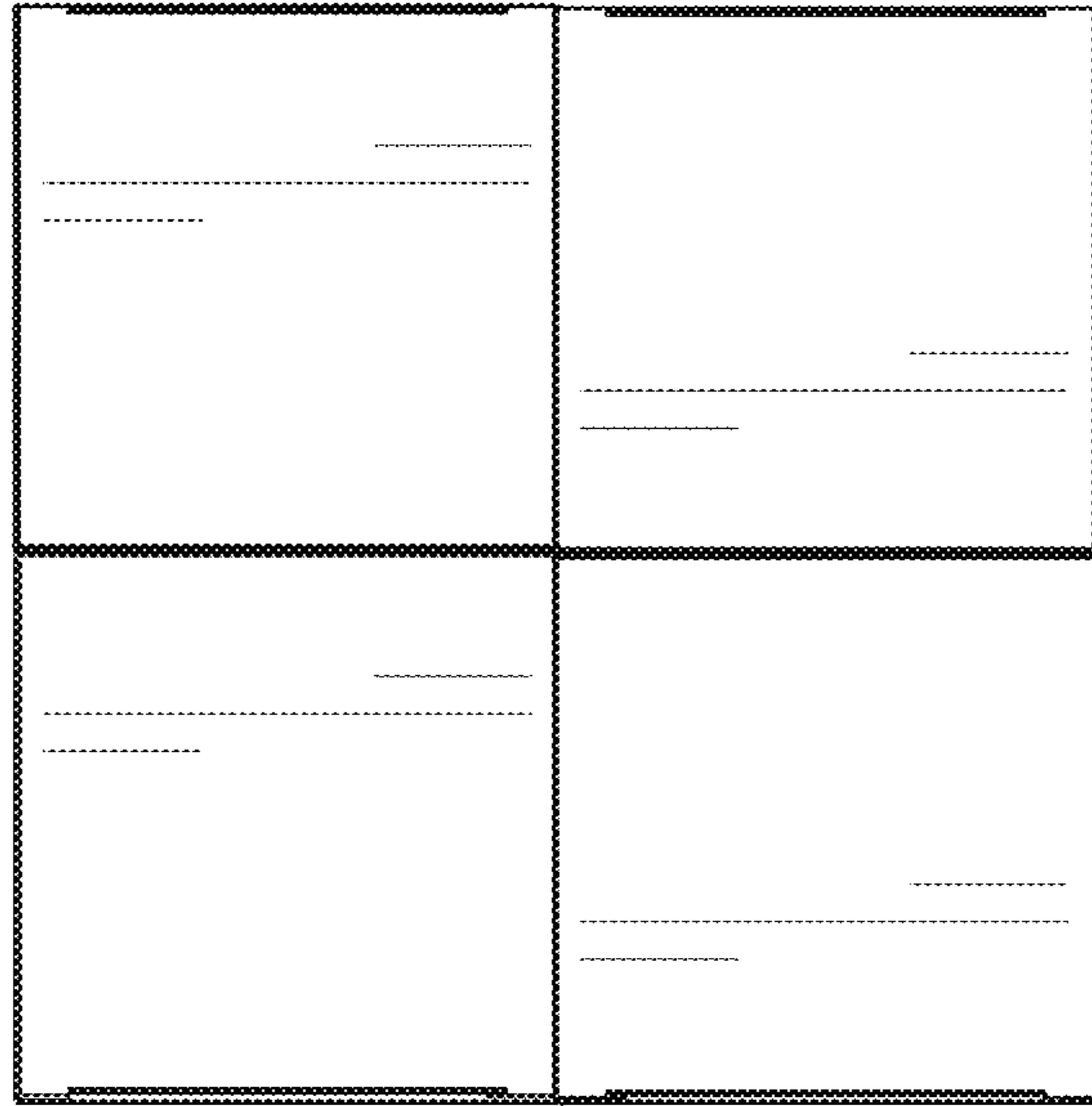


FIG. 13

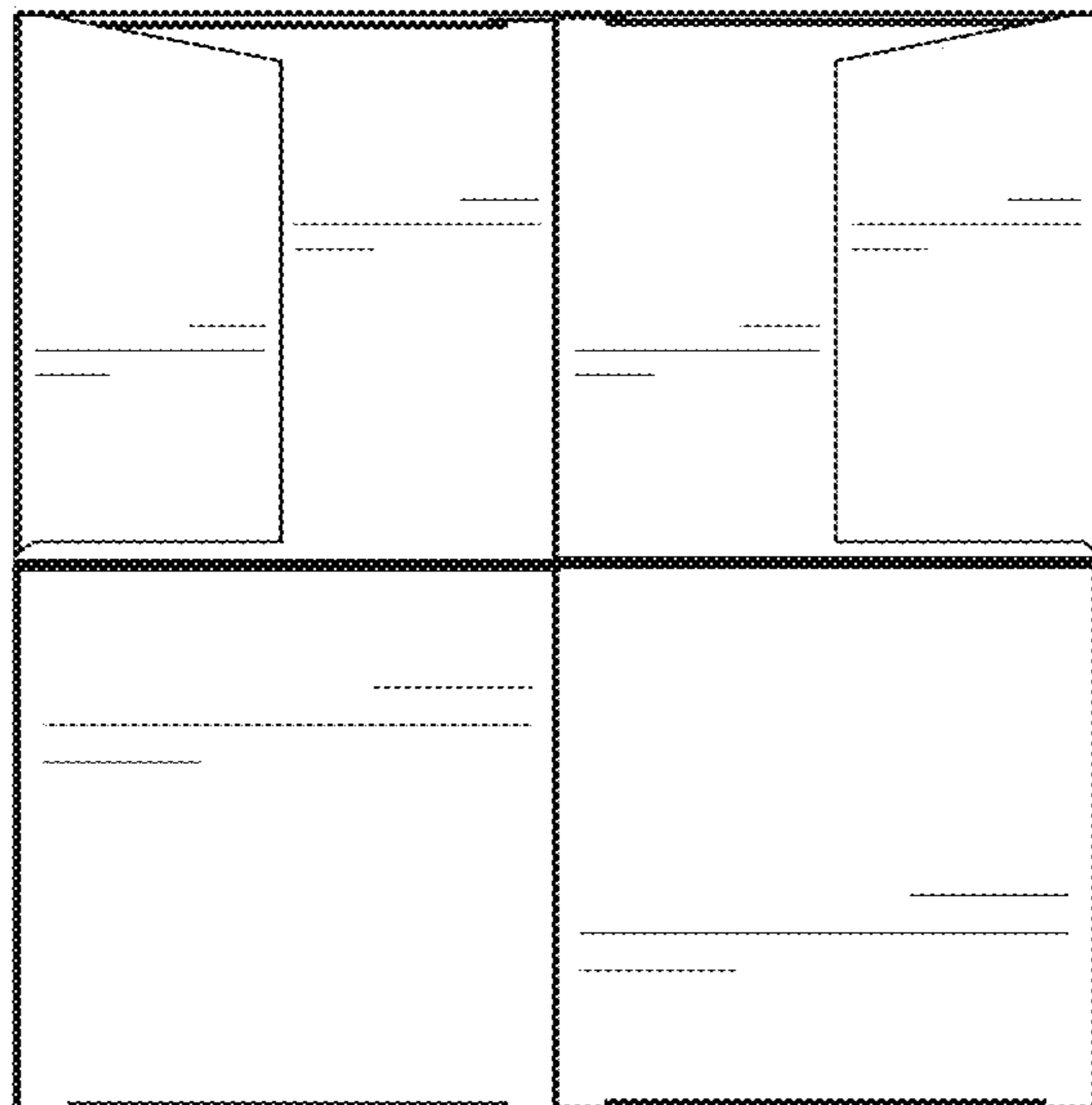


FIG. 14