



US00D949966S

(12) **United States Design Patent** (10) **Patent No.:** **US D949,966 S**
Yan (45) **Date of Patent:** **** Apr. 26, 2022**

(54) **ENVELOPE**

(71) Applicant: **Beta (Shenzhen) Package Products Co., Ltd, Shenzhen (CN)**

(72) Inventor: **Jinwei Yan, Shenzhen (CN)**

(73) Assignee: **Beta (Shenzhen) Package Products Co., Ltd, Shenzhen (CN)**

(**) Term: **15 Years**

(21) Appl. No.: **29/779,284**

(22) Filed: **Apr. 19, 2021**

(30) **Foreign Application Priority Data**

Apr. 8, 2021 (EP) 008490767-0001

(51) **LOC (13) Cl.** **19-01**

(52) **U.S. Cl.**
USPC **D19/3**

(58) **Field of Classification Search**
USPC D19/1-12, 20-34, 100;
40/124.01-124.15, 672, 661, 726, 776,
40/617; 283/82, 70, 94, 81, 904;
206/449, 815; D21/385; D20/10, 22, 27,
D20/40, 42, 11; D14/435-437;
235/380-383, 487, 493, 488
CPC .. B42D 15/022; B42D 15/042; B42D 15/045;
B42D 15/027; B42D 25/00; B42D 25/20;
B42D 25/23; B42D 25/26; B42D 25/29;
B42D 25/30; B42D 25/285; B42D
2033/00; B42D 2033/04; B42D 2033/08;
B42D 2033/10; B42D 2033/16; B42D
2033/18; B42D 2033/20; B42D 2033/22;
B42D 2033/28; B42D 2033/30

See application file for complete search history.

(56) **References Cited**

U.S. PATENT DOCUMENTS

D379,198 S * 5/1997 Dowda 229/68.1
6,227,444 B1 * 5/2001 Makoesky B65D 5/0005
206/424
D577,765 S 9/2008 Taute
D625,757 S 10/2010 Schluger
D661,349 S 6/2012 Picard
D685,417 S 7/2013 Wakatabi
D685,843 S 7/2013 Glass et al.
D836,715 S * 12/2018 Wang D19/3
D873,912 S 1/2020 Narayan et al.
D902,992 S * 11/2020 Wang D19/3

* cited by examiner

Primary Examiner — Abraham Bahta

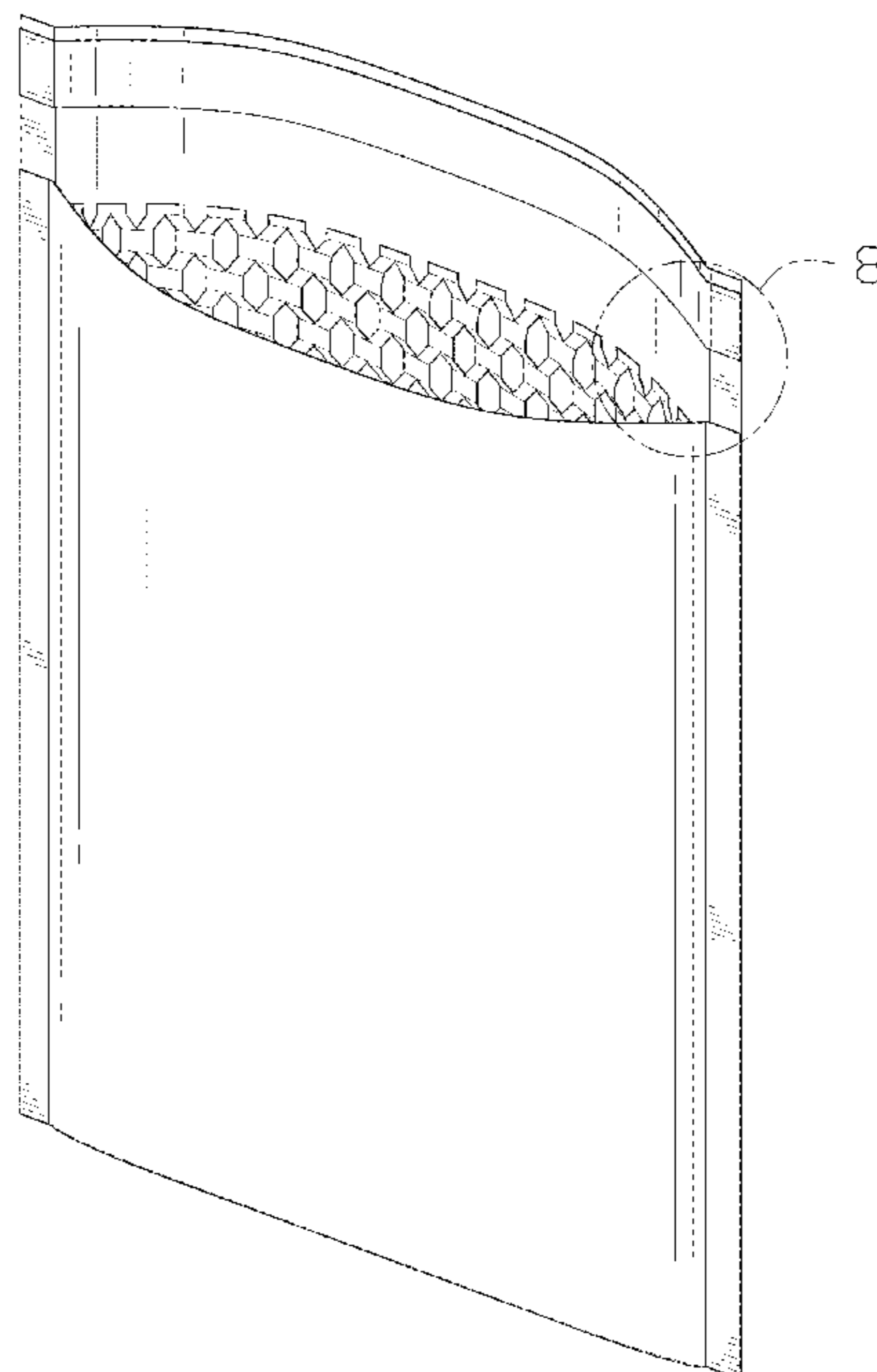
(57) **CLAIM**

The ornamental design for an envelope, as shown and described.

DESCRIPTION

FIG. 1 is a front perspective view of an envelope showing my new design;
FIG. 2 is a front elevational view thereof;
FIG. 3 is a rear elevational view thereof;
FIG. 4 is a left side elevational view thereof;
FIG. 5 is a top plan view thereof;
FIG. 6 is a bottom plan view thereof;
FIG. 7 is a partly cross-sectional perspective view thereof;
FIG. 8 is an enlarged view of a circled portion 8 of FIG. 1; and,
FIG. 9 is an enlarged view of a circled portion 9 of FIG. 7.
The broken lines in the drawings depict portions of the envelope that form no part of the claimed design.

1 Claim, 9 Drawing Sheets



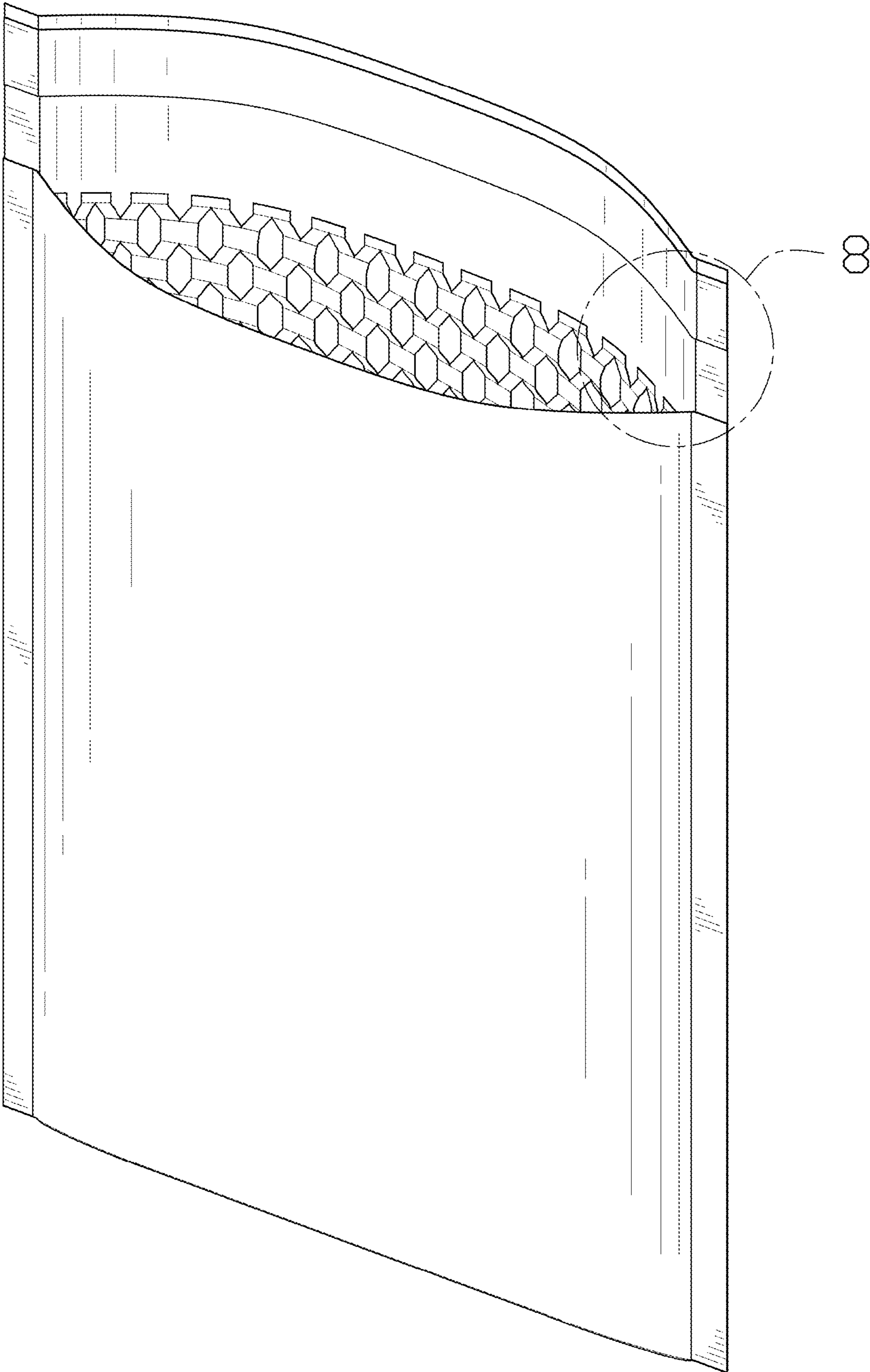


FIG. 1

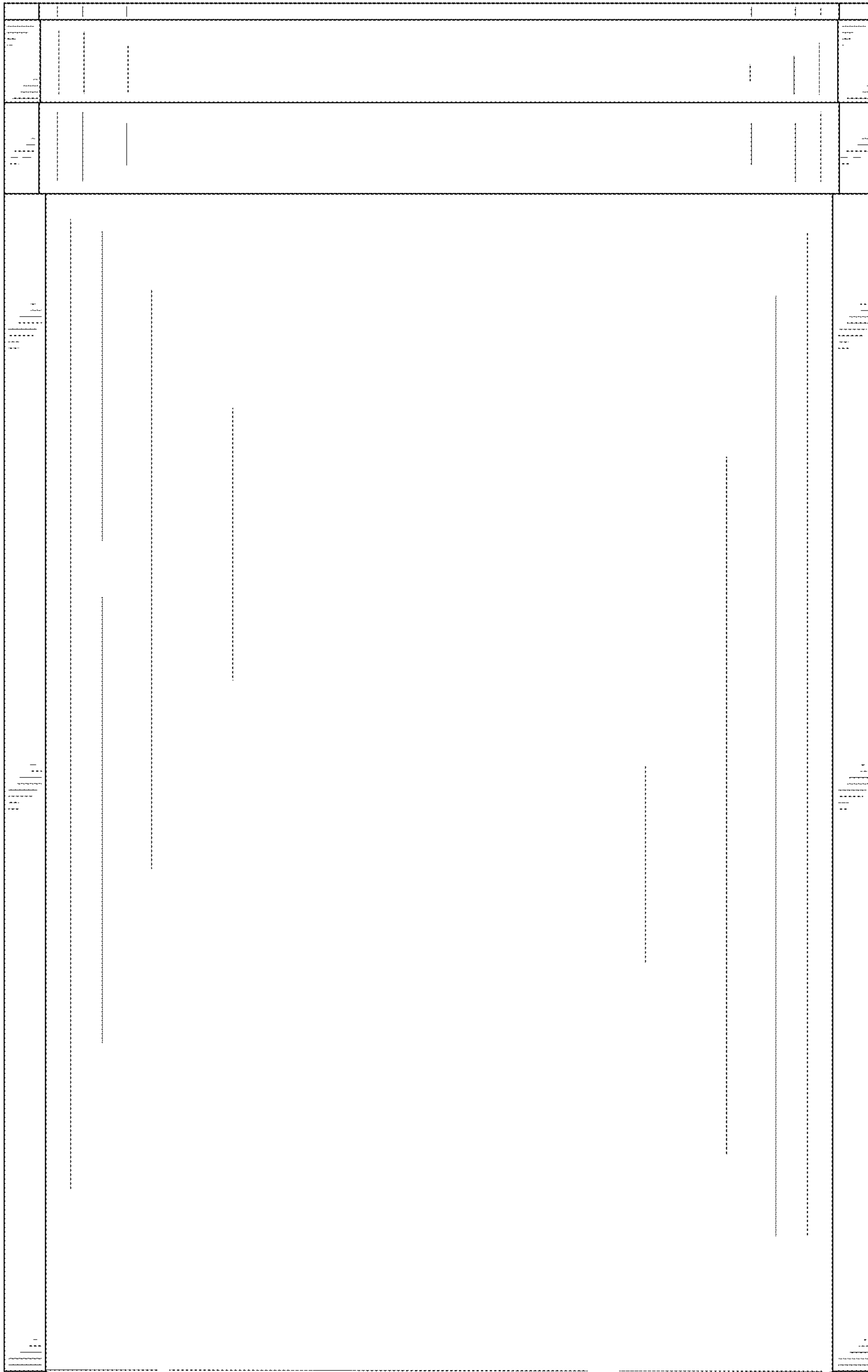


FIG. 2

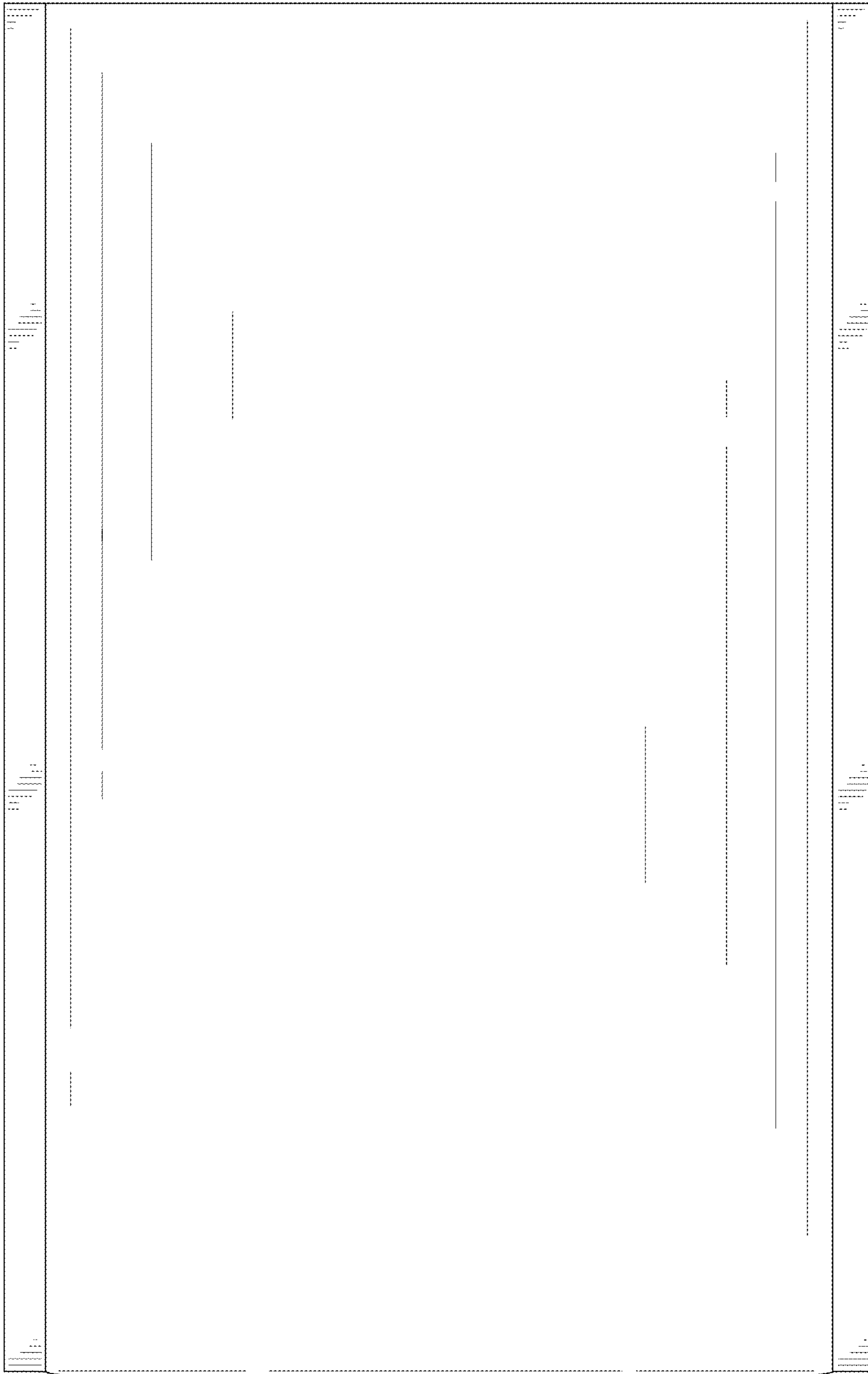


FIG. 3

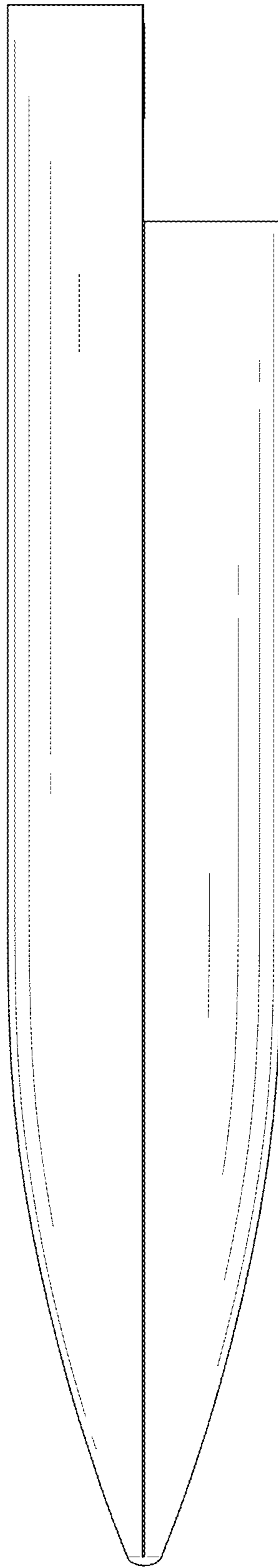


FIG. 4

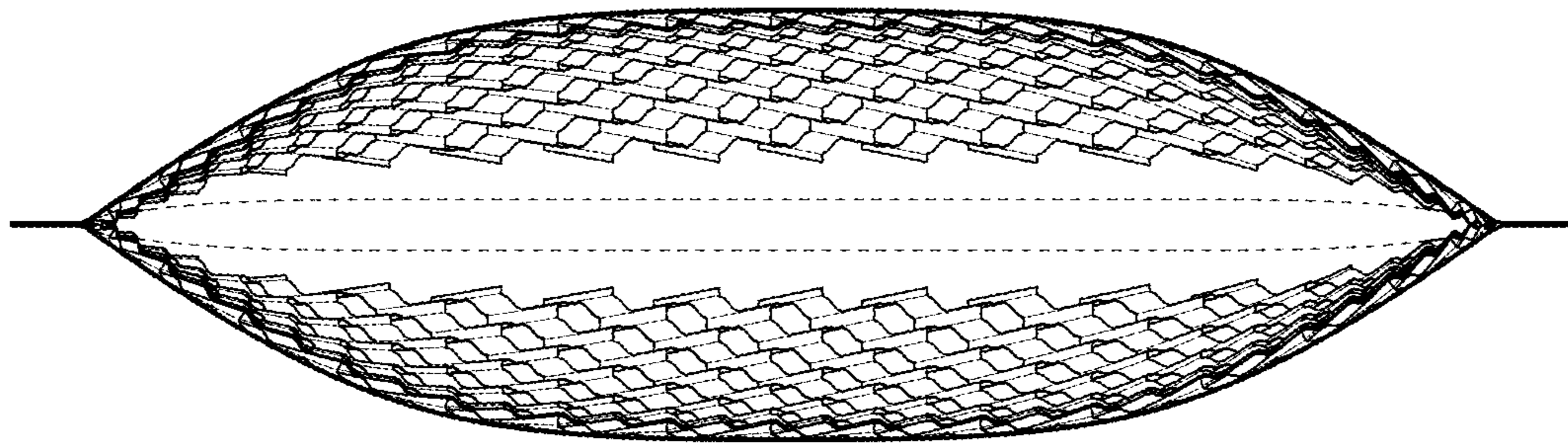


FIG. 5

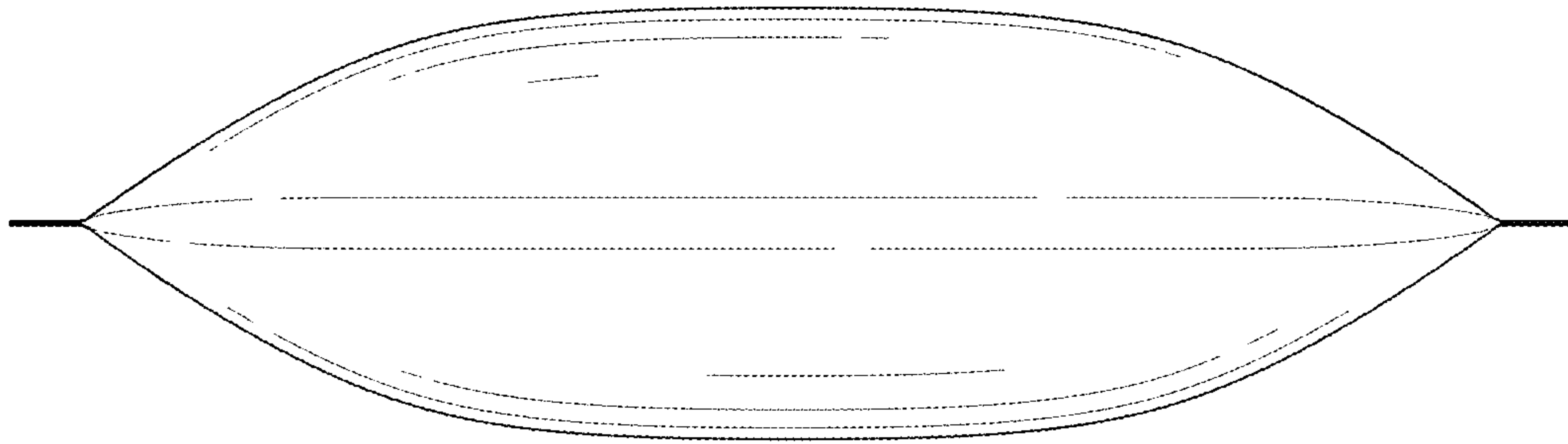


FIG. 6

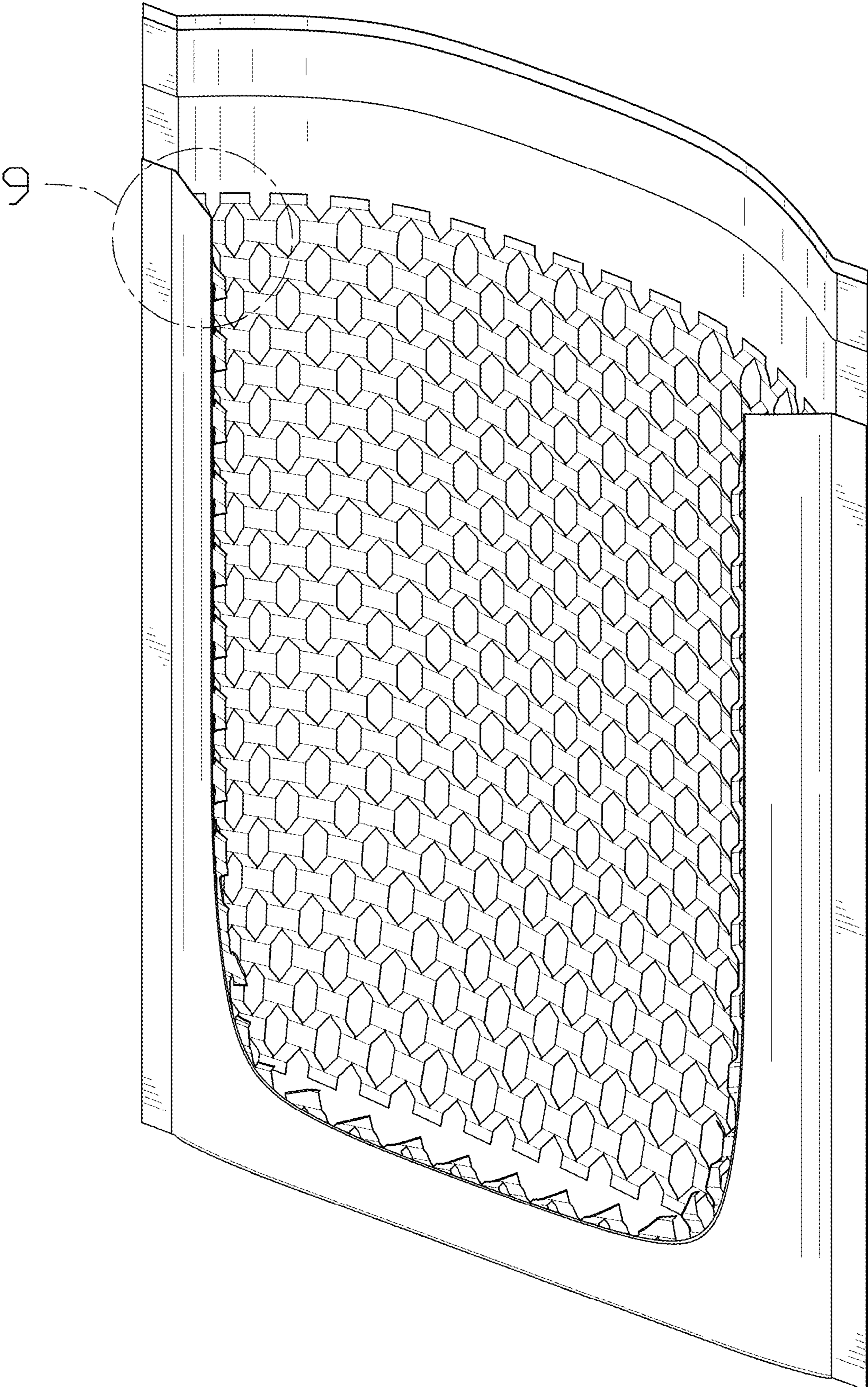


FIG. 7

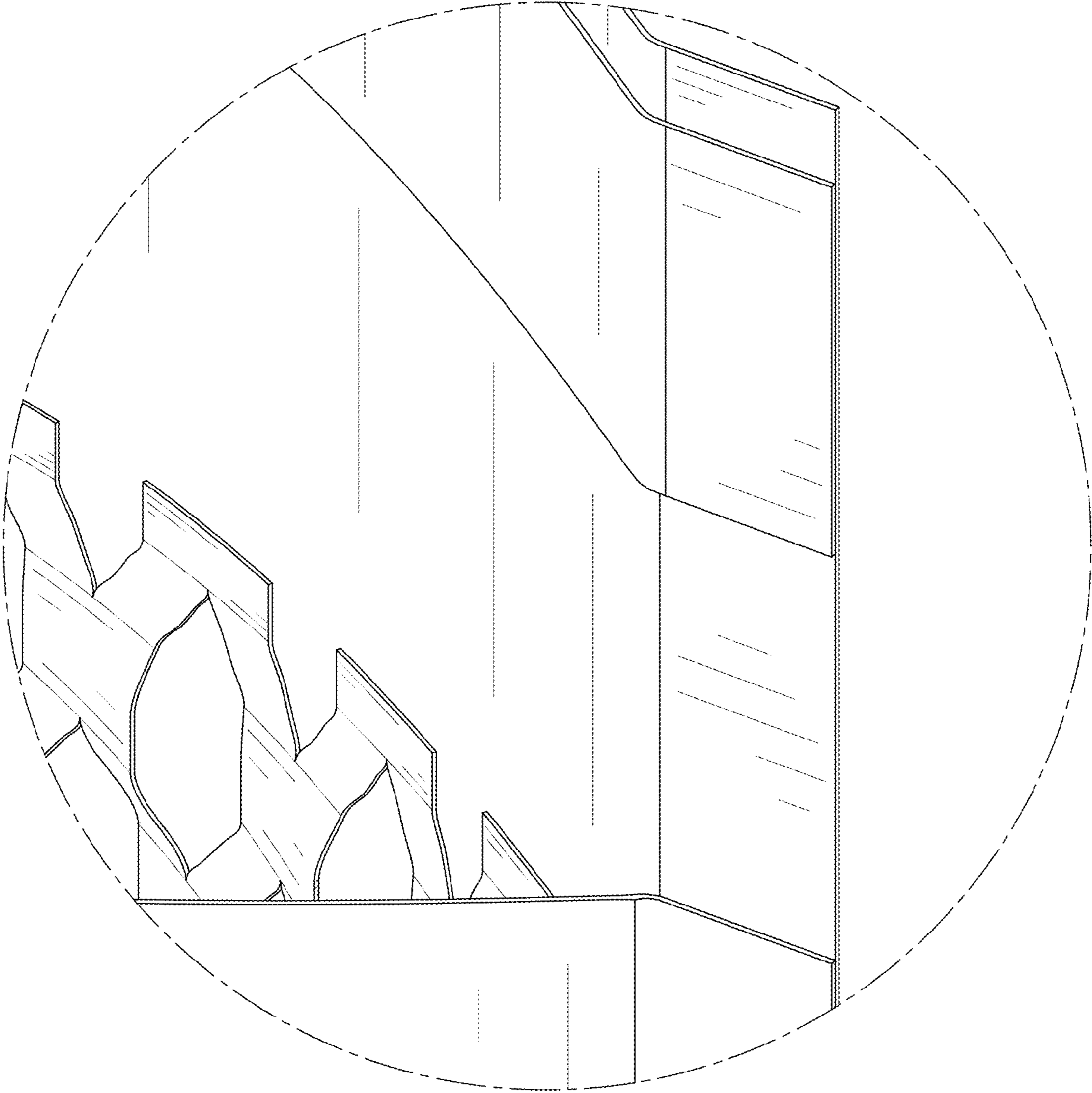


FIG. 8

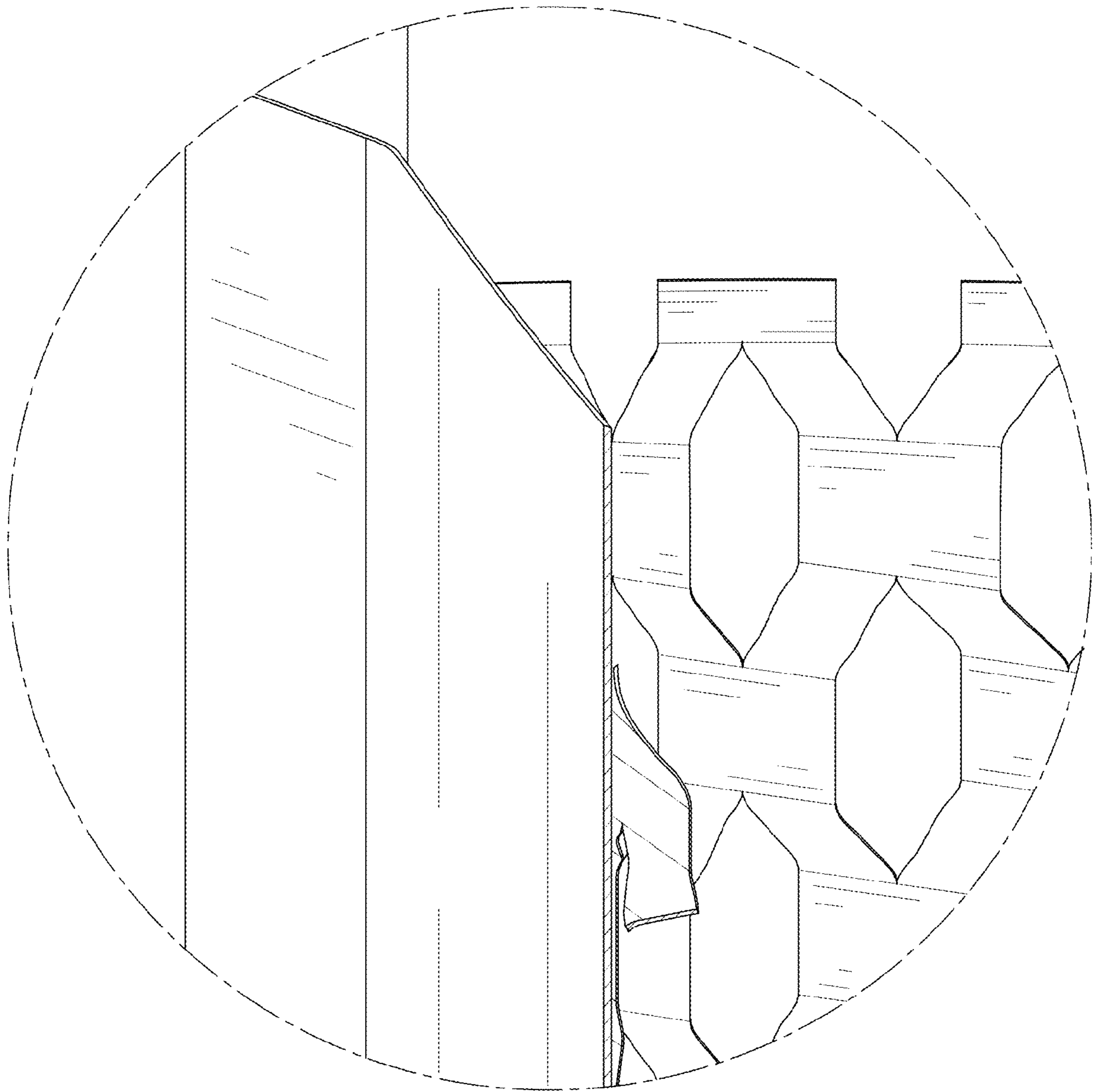


FIG. 9