

US00D949964S

(12) **United States Design Patent** (10) **Patent No.:** **US D949,964 S**
Cesar et al. (45) **Date of Patent:** **** Apr. 26, 2022**

(54) **LARGE FORMAT PRINTER**

FOREIGN PATENT DOCUMENTS

(71) Applicant: **Hewlett-Packard Development Company, L.P.**, Spring, TX (US)

CN 302254277 * 12/2012
CN 305631507 * 2/2020

(Continued)

(72) Inventors: **Javier Alfonso Cesar**, Sant Cugat del Vallès (ES); **Ferran Alex Paris**, Sant Cugat del Vallès (ES); **Ferran Rafat Esquiús**, Sant Cugat del Vallès (ES)

OTHER PUBLICATIONS

(73) Assignee: **Hewlett-Packard Development Company, L.P.**, Spring, TX (US)

Epson Malaysia. Link: <https://www.epson.com.mm/For-Work/Printers/Large-Format/Epson-SureColor-SC-F7270-Dye-Sublimation-Textile-Printer/p/C11CF06402>. Visited Apr. 9, 2020. Epson SureColor SC-F7270 Dye-Sublimation Textile Printer. (Year: 2020).*

(**) Term: **15 Years**

Primary Examiner — Lauren D McVey

(21) Appl. No.: **29/706,130**

(74) *Attorney, Agent, or Firm* — Hanley Flight & Zimmerman LLC

(22) Filed: **Sep. 18, 2019**

(57) **CLAIM**

(51) **LOC (13) Cl.** **18-02**

The ornamental design for a large format printer, as shown and described.

(52) **U.S. Cl.**

USPC **D18/53**

(58) **Field of Classification Search**

DESCRIPTION

USPC D18/50, 53, 54, 55, 56, 59, 36, 37, 38, D18/39, 40, 41, 45; D14/301, 307, 121

CPC H04N 1/00278; H04N 1/00204; H04N 1/00249; G06K 15/12; G06K 15/14; B41J 3/00; B41J 3/28; B41J 3/445; B41J 3/46

See application file for complete search history.

FIG. 1 is a left, front perspective view of a large format printer showing our new design;

FIG. 2 is a right, front perspective view of the printer of FIG. 1;

FIG. 3 is a front elevation view of the printer of FIG. 1;

FIG. 4 is a right side elevation view of the printer of FIG. 1; and,

FIG. 5 is a left side elevation view of the printer of FIG. 1. The dashed broken lines show portions of the large format printer and surfaces adjacent the dashed broken lines that form no part of the claimed design.

The dotted broken lines that are immediately adjacent to the claimed areas and define broken line regions depict the bounds of the claimed design.

The dotted field bounded by dashed broken lines in FIGS. 1-3 represent a netting that forms no part of the claimed design.

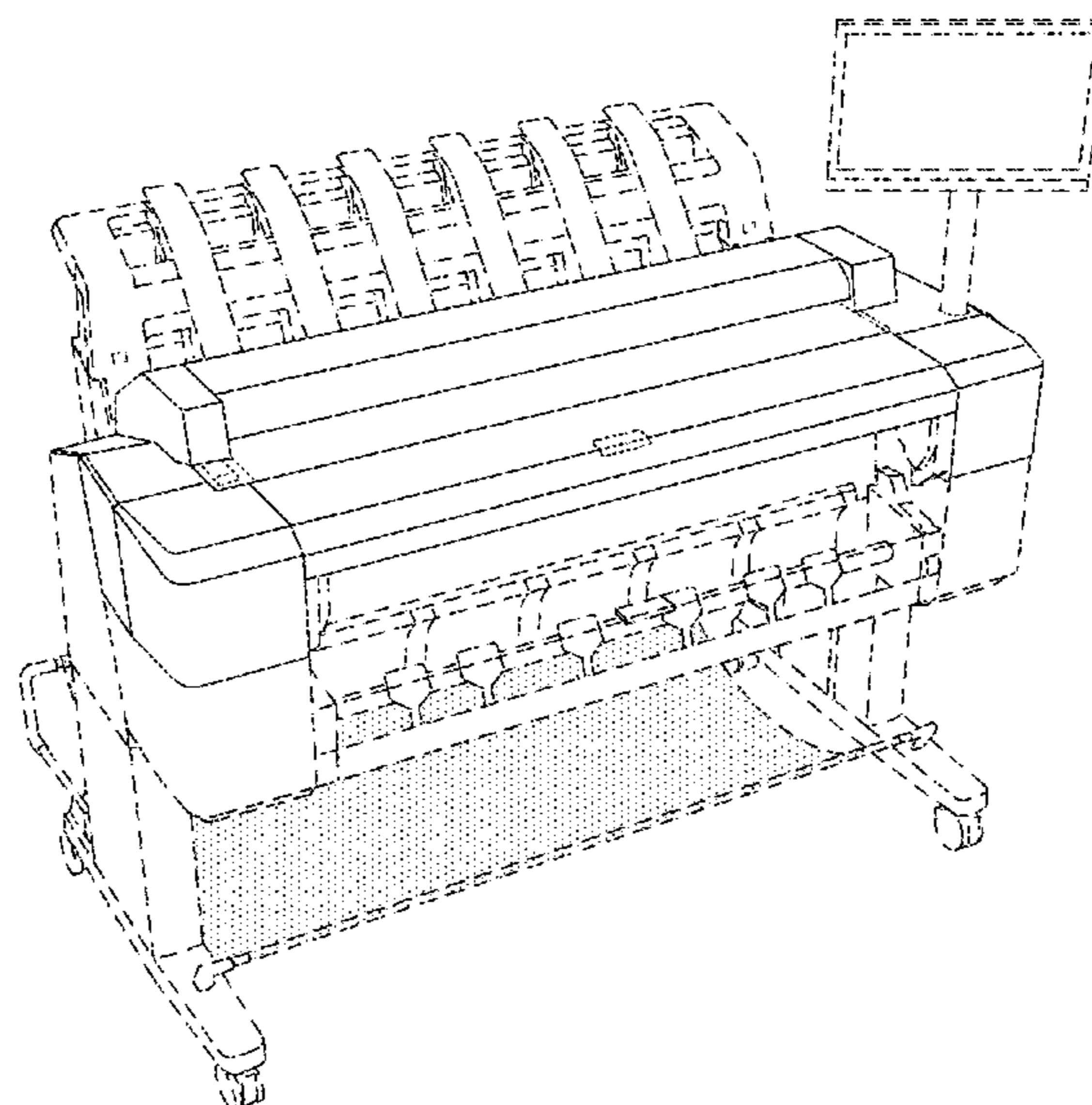
(56) **References Cited**

U.S. PATENT DOCUMENTS

D464,080 S * 10/2002 Yamano D18/53
D529,545 S * 10/2006 Kimura D18/53
D568,387 S * 5/2008 Watanabe D18/39
D595,346 S * 6/2009 Yamano D18/53
D597,131 S * 7/2009 Yamano D18/53
D747,766 S * 1/2016 Cesar D18/53
D751,637 S * 3/2016 Cesar D18/53
9,308,748 B2 * 4/2016 Ishikawa B41J 15/046
D799,591 S * 10/2017 Kusanagi D18/53
D810,819 S * 2/2018 Cesar D18/53

(Continued)

1 Claim, 5 Drawing Sheets



(56)

References Cited

U.S. PATENT DOCUMENTS

D812,136 S * 3/2018 Cesar D18/53
D823,383 S * 7/2018 Miyauchi D18/53
D823,384 S * 7/2018 Miyauchi D18/53
D894,271 S * 8/2020 Nakamura D18/53

FOREIGN PATENT DOCUMENTS

GB 2102996 * 7/2001
GB 2092567 * 5/2005
JP D1344529 * 11/2008
JP D1496538 * 5/2014

* cited by examiner

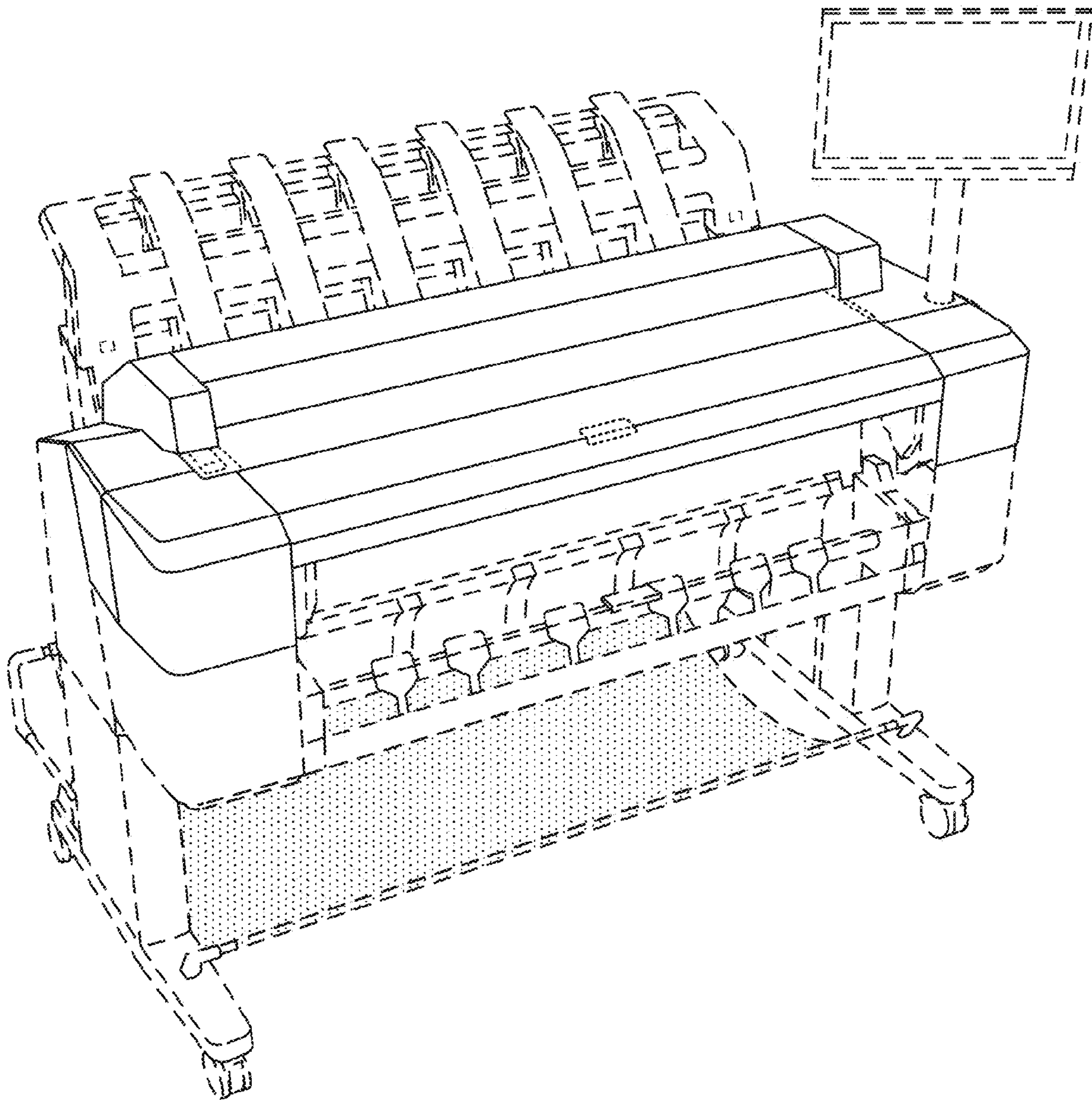


FIG. 1

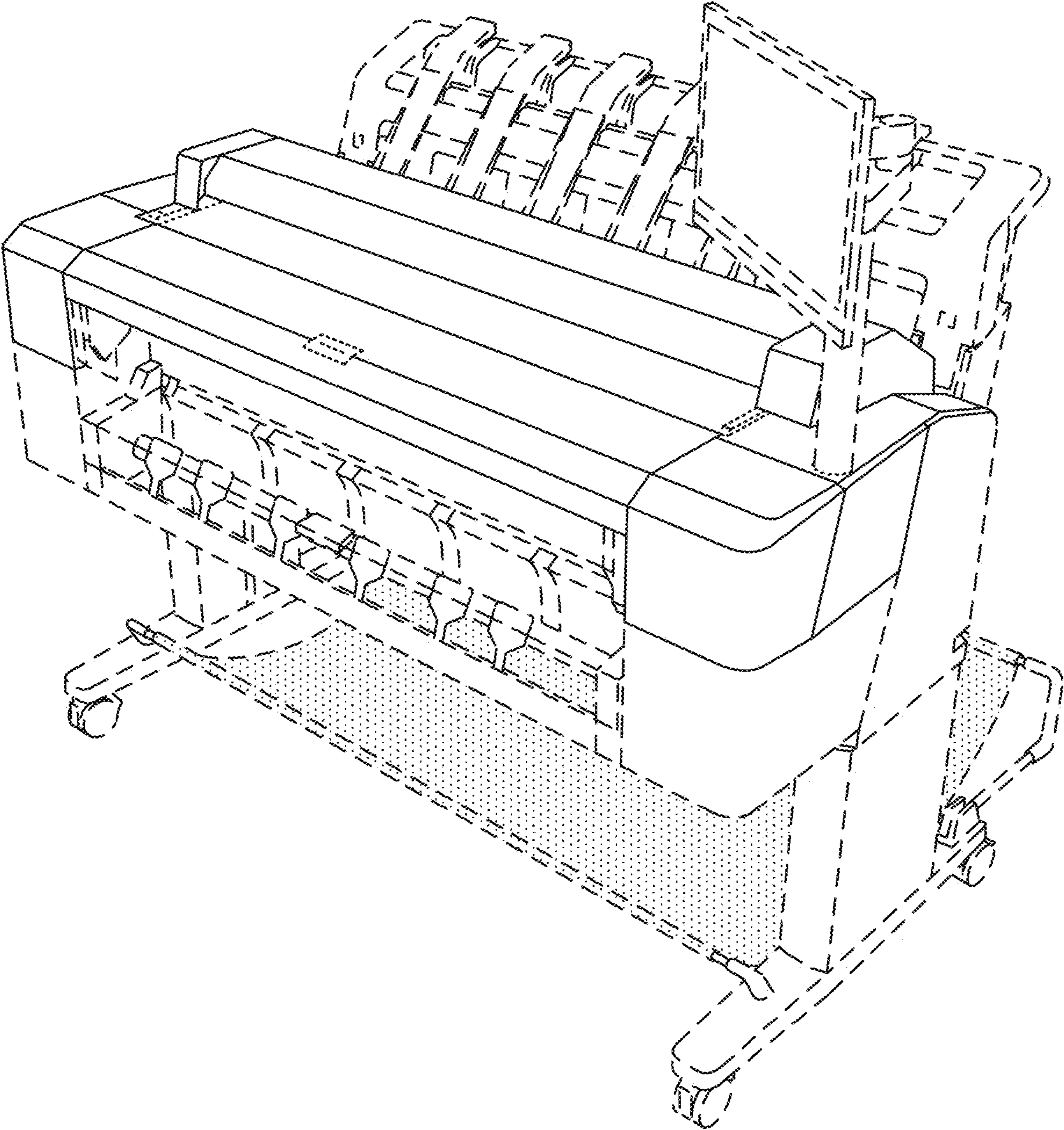


FIG. 2

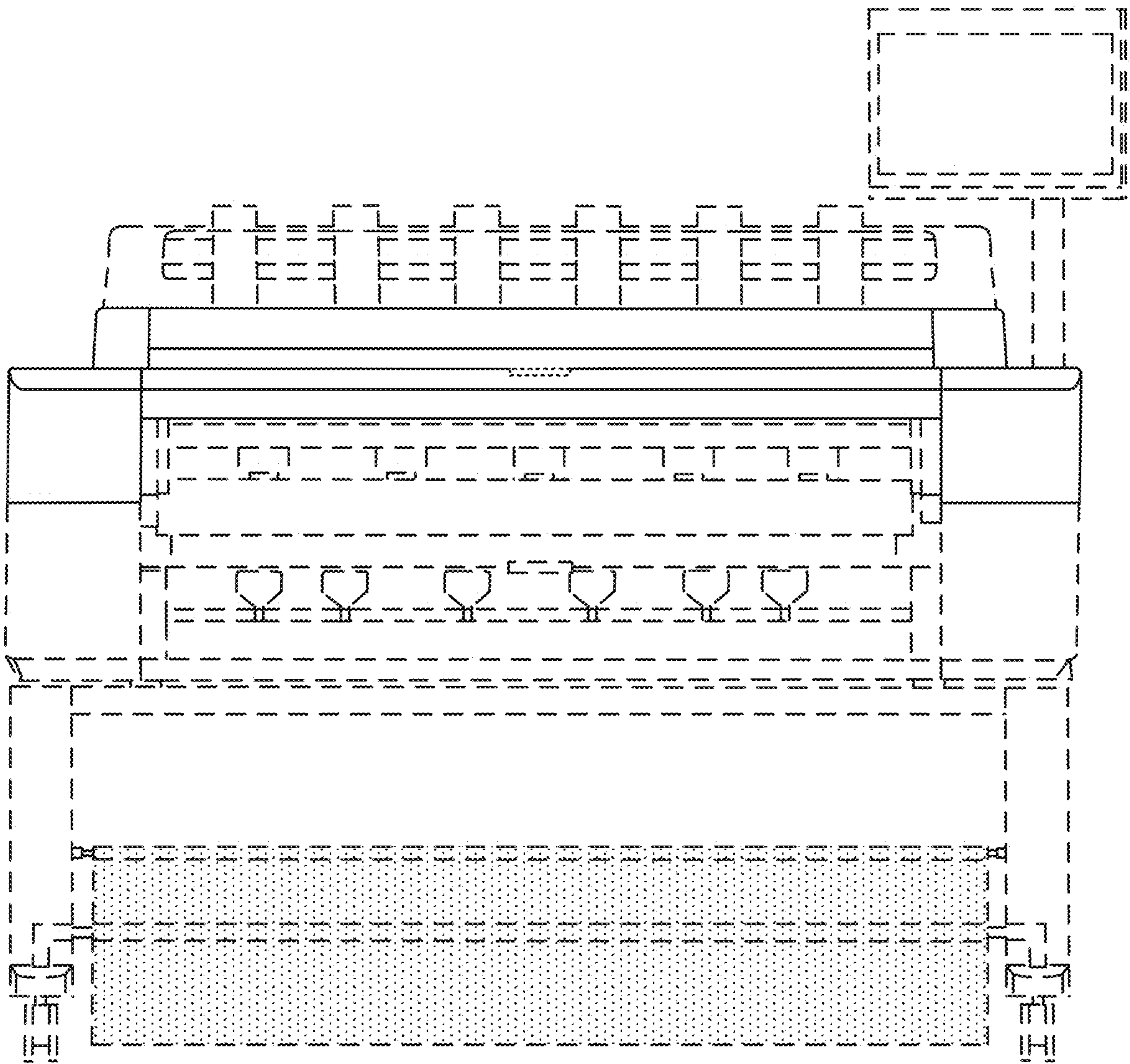


FIG. 3

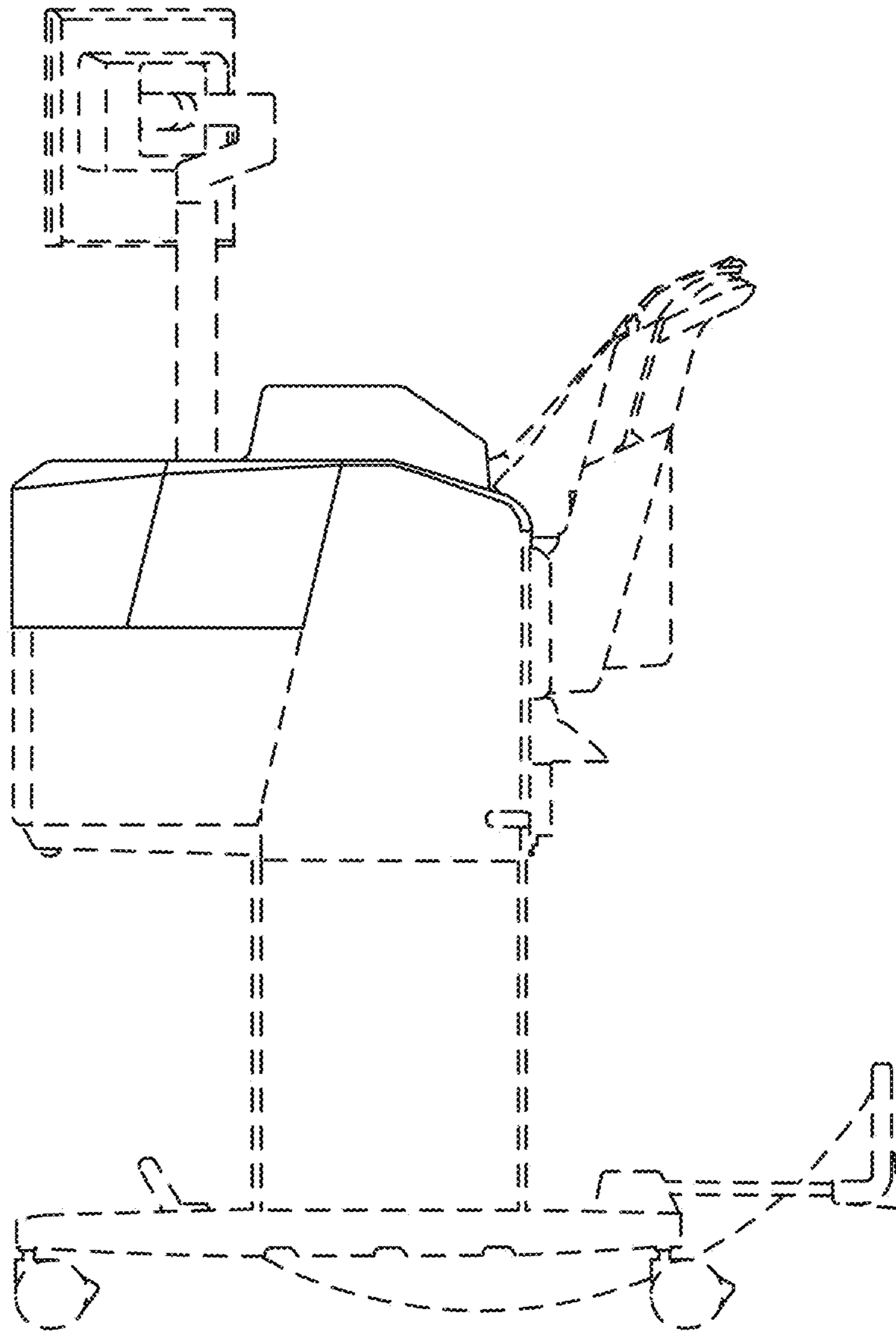


FIG. 4

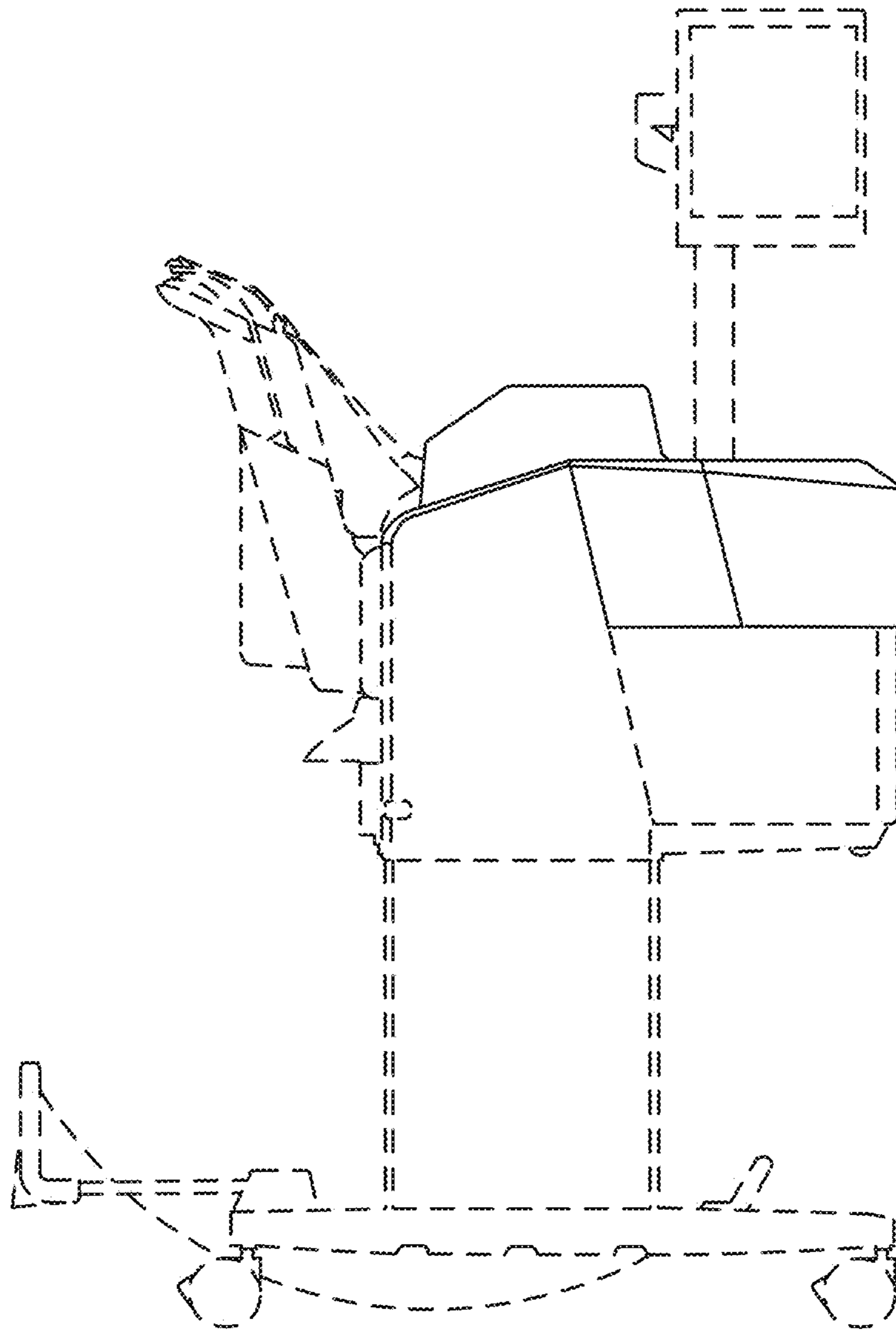


FIG. 5