



US00D949962S

(12) **United States Design Patent**
Brusilovski

(10) **Patent No.: US D949,962 S**
(45) **Date of Patent: ** Apr. 26, 2022**

- (54) **CARTRIDGE FOR 3D PRINTING**
- (71) Applicant: **Stratasys Ltd.**, Rehovot (IL)
- (72) Inventor: **Gregory Brusilovski**, Kfar-Saba (IL)
- (73) Assignee: **Stratasys Ltd.**, Rehovot (IL)
- (**) Term: **15 Years**

6,850,334 B1 2/2005 Gothait
 6,877,848 B2 * 4/2005 Shimizu B41J 2/17523
 347/86
 D530,365 S * 10/2006 Wakayama D18/56
 7,183,335 B2 2/2007 Napadensky
 7,209,797 B2 4/2007 Kritchman et al.
 7,225,045 B2 5/2007 Gothait et al.
 (Continued)

- (21) Appl. No.: **29/697,170**
- (22) Filed: **Jul. 4, 2019**
- (51) **LOC (13) Cl. 16-03**
- (52) **U.S. Cl.**
USPC **D18/43**
- (58) **Field of Classification Search**
USPC D15/122, 135-138, 141, 66, 73, 76-78;
D18/53, 59, 50, 14, 19, 54-57, 36-45,
D18/34.4, 34.5, 34.6, 18, 51, 12, 46-49;
D14/301-303, 307, 345, 420-425, 462;
D6/691.4, 675, 708; D13/107, 108
CPC B41J 2/14; B41J 1/54; B41J 3/4073; B41J
3/4078; B41F 17/22; B41F 17/003; B41F
17/38; B28B 1/001; G03G 15/08; G03G
15/0891; G03G 15/0875; G03G
2215/0827; G03G 2215/0855; G03G
21/1842
See application file for complete search history.

FOREIGN PATENT DOCUMENTS

EP 0606627 7/1994
 EP 1384589 1/2004
 (Continued)

OTHER PUBLICATIONS

Objet30 Pro, published Oct. 24, 2020 [online], [retrieved Jun. 18, 2021], Available from Internet, URL: <http://web.archive.org/web/20201024211039/https://www.isquared.eu.com/refill-stratasys-polyjet-photopolymers-objet30pro-sup705-consumables-material/>.
 (Continued)

Primary Examiner — Kevin K Rudzinski

(57) **CLAIM**

The ornamental design for a cartridge for 3D printing, as shown and described.

DESCRIPTION

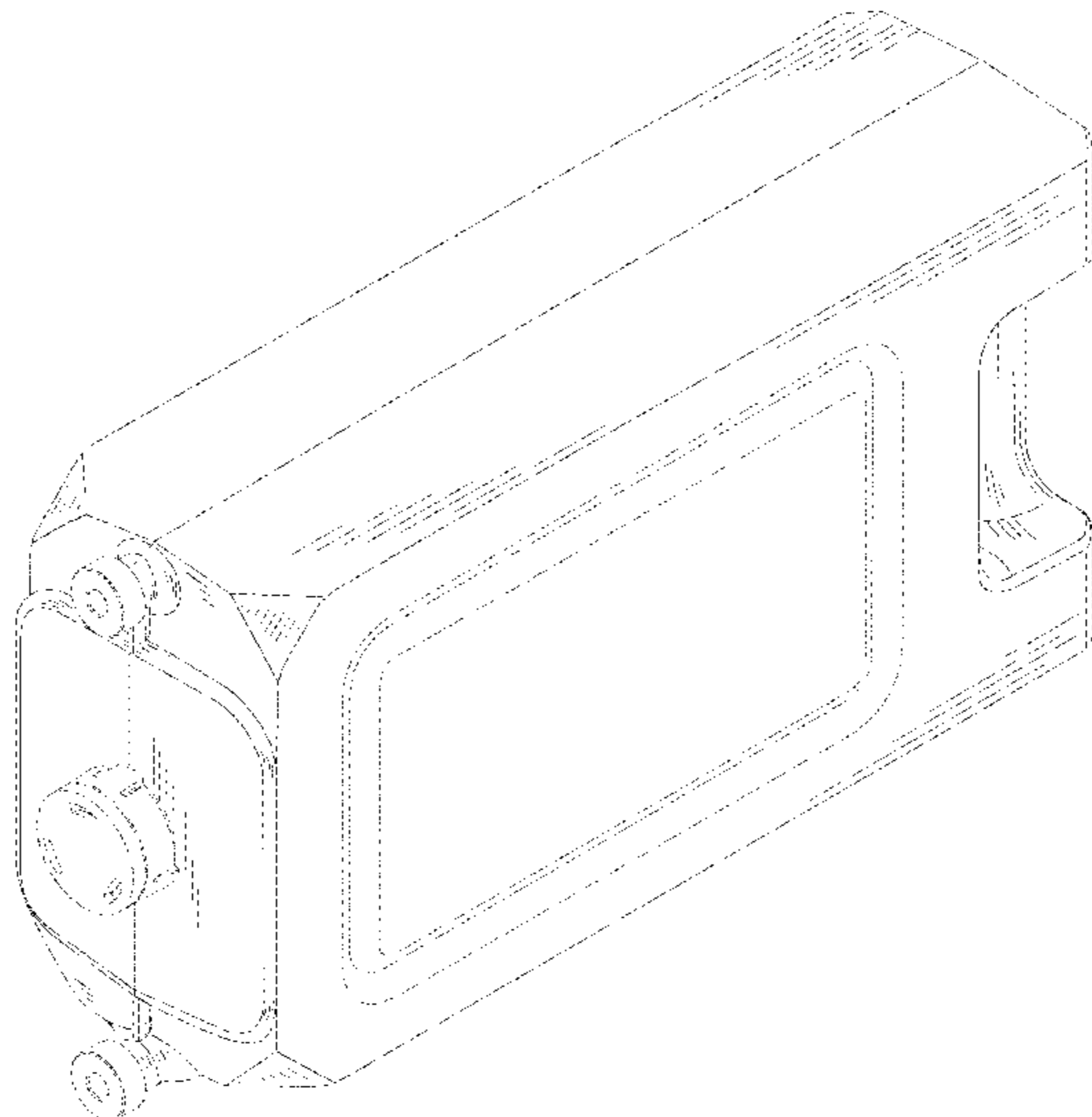
FIG. 1 is a perspective view of cartridge for 3D printing showing my new design;
 FIG. 2 is a top view thereof;
 FIG. 3 is a right side view thereof;
 FIG. 4 is a front view thereof;
 FIG. 5 is a left side view thereof;
 FIG. 6 is a rear view thereof; and,
 FIG. 7 is a bottom view thereof.
 The broken lines shown in the drawings depict portions of the cartridge for 3D printing that form no part of the claimed design.

(56) **References Cited**

U.S. PATENT DOCUMENTS

- 5,629,728 A * 5/1997 Karita B41J 2/17513
347/85
- D387,087 S * 12/1997 Sasaki 347/87
- D387,379 S * 12/1997 Sasaki 347/87
- D392,995 S * 3/1998 Sasaki 347/87
- D438,897 S * 3/2001 Hatasa 347/86
- 6,259,962 B1 7/2001 Gothait
- 6,569,373 B2 3/2003 Napadensky
- 6,658,314 B1 12/2003 Gothait
- 6,742,857 B2 * 6/2004 Koshikawa B41J 2/17513
347/19

1 Claim, 7 Drawing Sheets



(56)

References Cited

U.S. PATENT DOCUMENTS

7,300,619 B2 11/2007 Napadensky et al.
 D579,492 S * 10/2008 Matsumoto D18/56
 7,479,510 B2 1/2009 Napadensky et al.
 D587,749 S * 3/2009 Perrill 347/86
 7,500,846 B2 3/2009 Eshed et al.
 D590,439 S * 4/2009 Kikuchi D18/40
 7,658,976 B2 2/2010 Kritchman
 D612,416 S * 3/2010 Harada D18/56
 D613,333 S * 4/2010 Tamaki D18/56
 D617,376 S * 6/2010 Lecheheb D18/56
 D634,362 S * 3/2011 Inoue D18/56
 D634,777 S * 3/2011 Perrill D18/56
 7,962,237 B2 6/2011 Kritchman
 7,996,101 B2 8/2011 Menchik et al.
 D667,491 S * 9/2012 Williamson D18/56
 9,533,302 B2 * 1/2017 Edelen B01L 3/0293
 D788,195 S * 5/2017 Liu D15/122
 D791,868 S * 7/2017 Hayashi D18/56
 9,718,238 B2 8/2017 Teken et al.
 2005/0131104 A1 * 6/2005 Aikawa C09D 11/328
 523/160
 2010/0208016 A1 8/2010 Menchik et al.
 2012/0200647 A1 * 8/2012 Miyashita B41J 2/17553
 347/86
 2016/0009007 A1 1/2016 Araki et al.

FOREIGN PATENT DOCUMENTS

EP 2796383 10/2014
 KR 301096474.0000 * 2/2021
 WO WO 2016/009426 1/2016
 WO WO 2021/001827 1/2021

OTHER PUBLICATIONS

Invitation to Pay Additional Fees, Communication Relating to the Results of the Partial International Search and the Provisional Opinion dated Oct. 19, 2020 From the International Searching Authority Re. Application No. PCT/IL2020/050734. (13 Pages).
 Notice of Preliminary Refusal dated Oct. 6, 2020 From the Korean Intellectual Property Office Re. Application No. 30-2020-0000193 and Its Translation Into English. (3 Pages).
 Examination Report dated Jan. 9, 2020 From the European Patent Office Re. Application No. 7433800-0001. (2 Pages).
 International Search Report and the Written Opinion dated Dec. 18, 2020 From the International Searching Authority Re. Application No. PCT/IL2020/050734. (21 Pages).
 Examination Report dated May 26, 2021 From the Innovation, Science and Economic Development Canada, Canadian Intellectual Property Office Re. Application No. 192304. (1 Page).

* cited by examiner

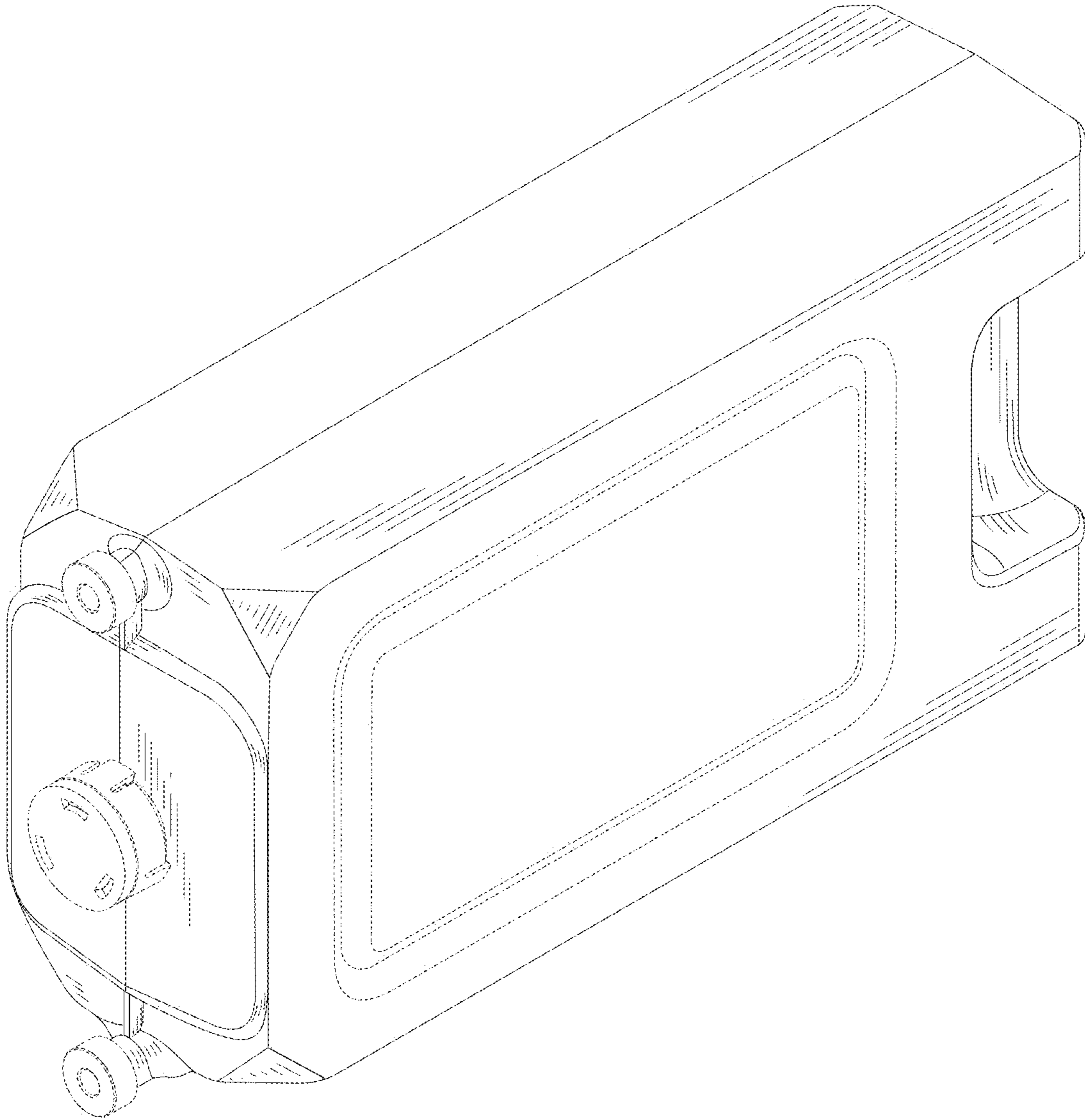


FIG 1

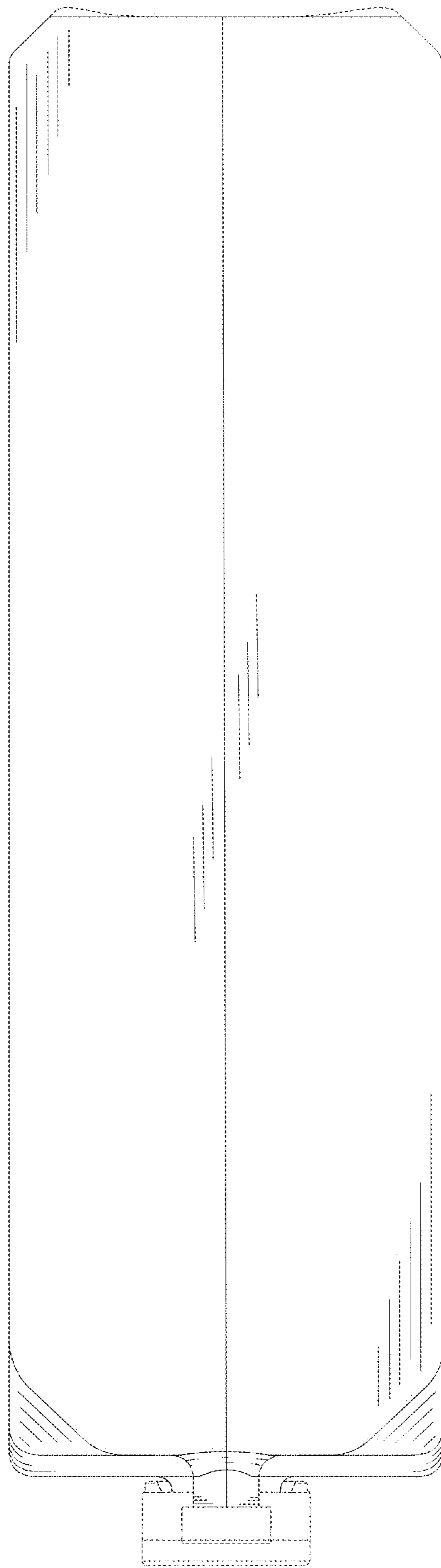


FIG 2

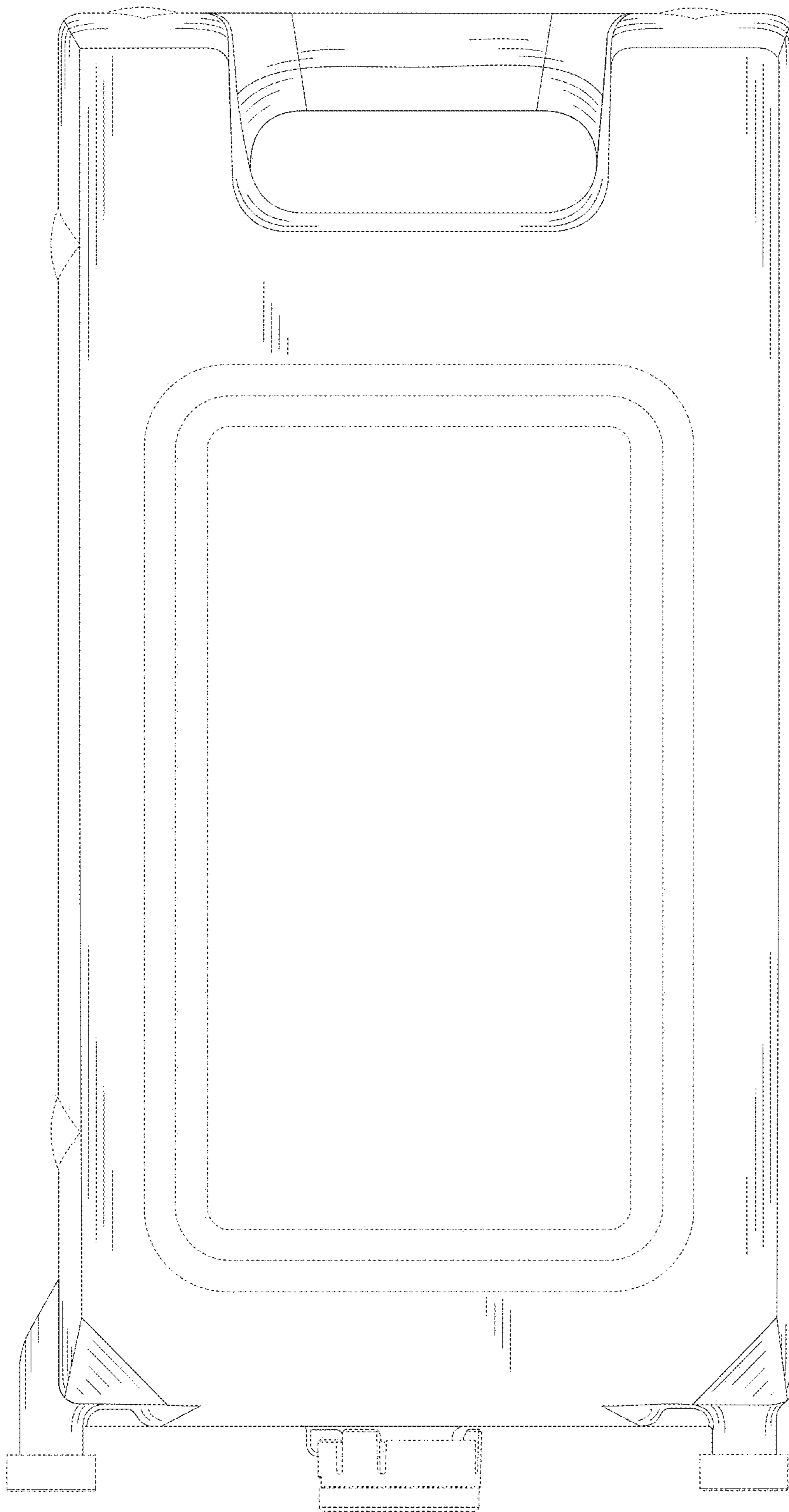


FIG 3

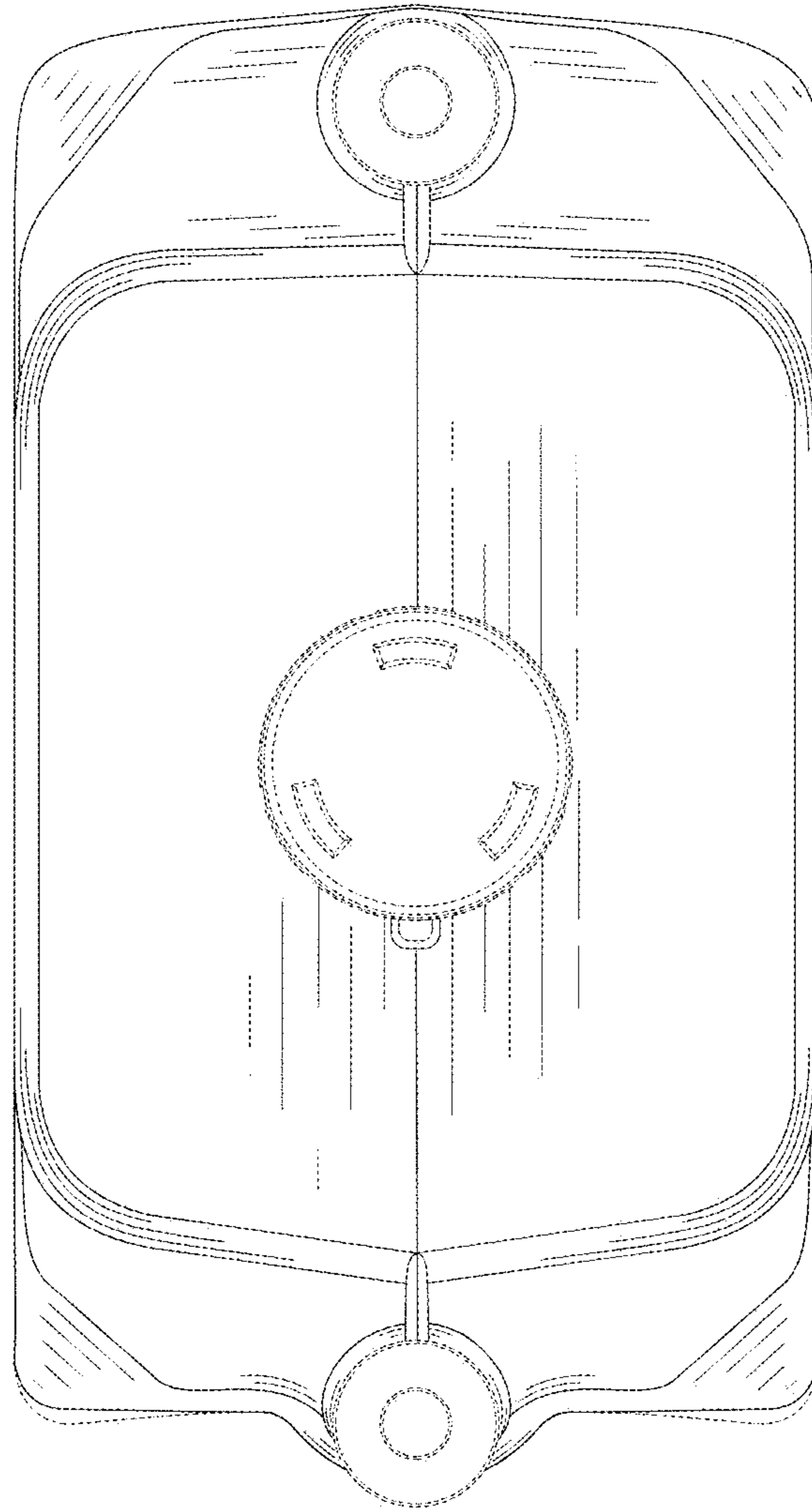


FIG 4

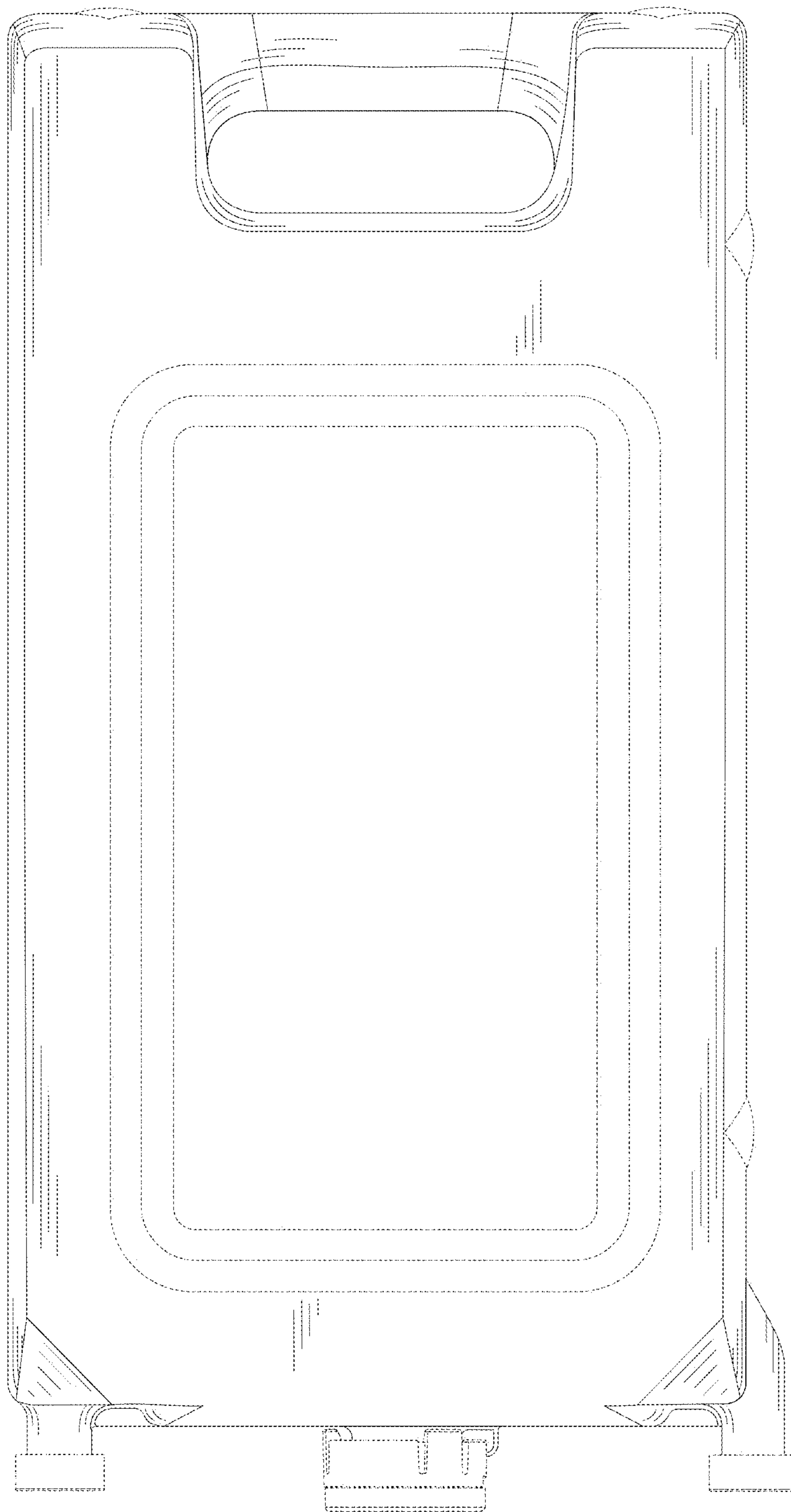


FIG 5

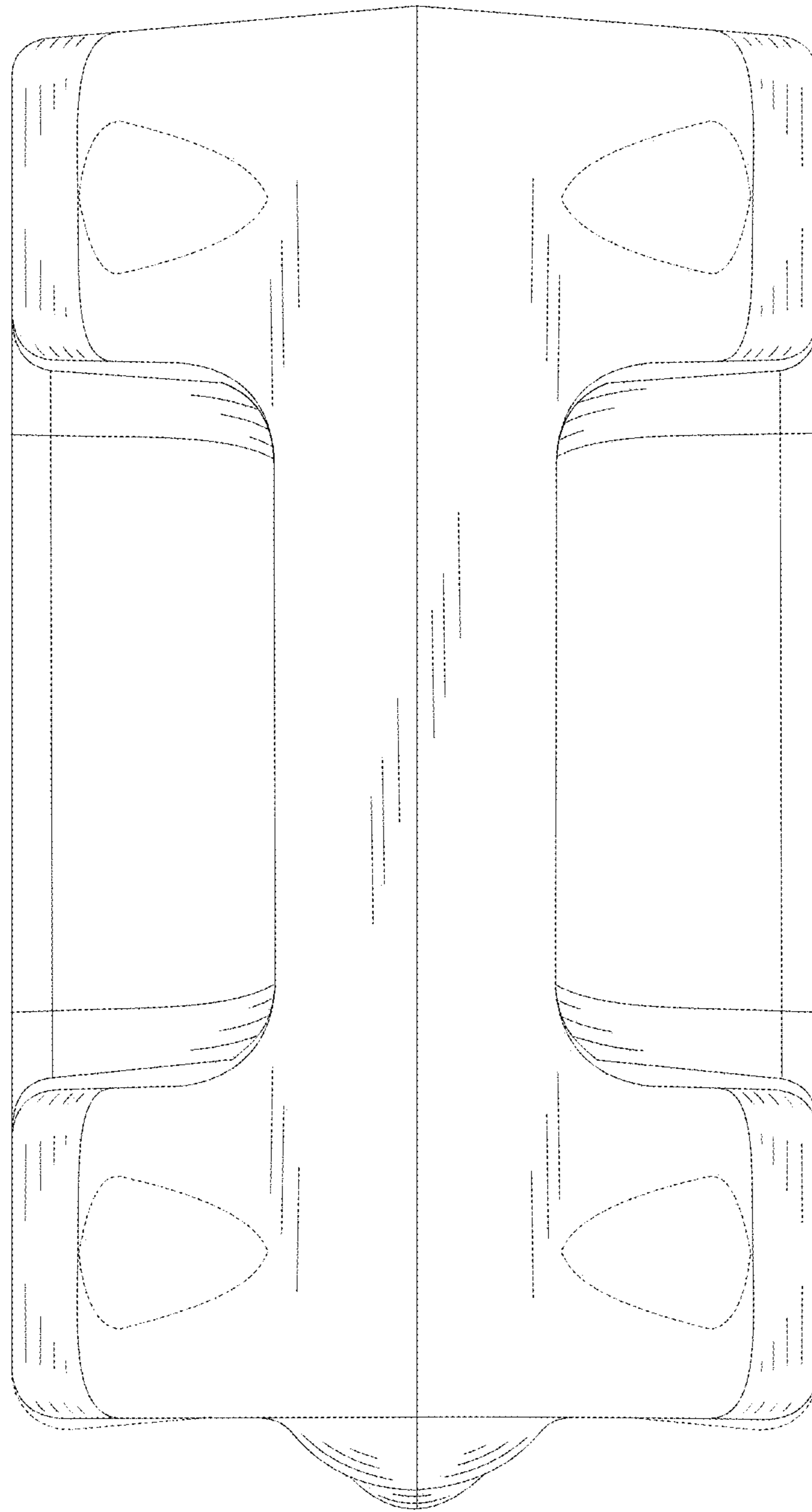


FIG 6

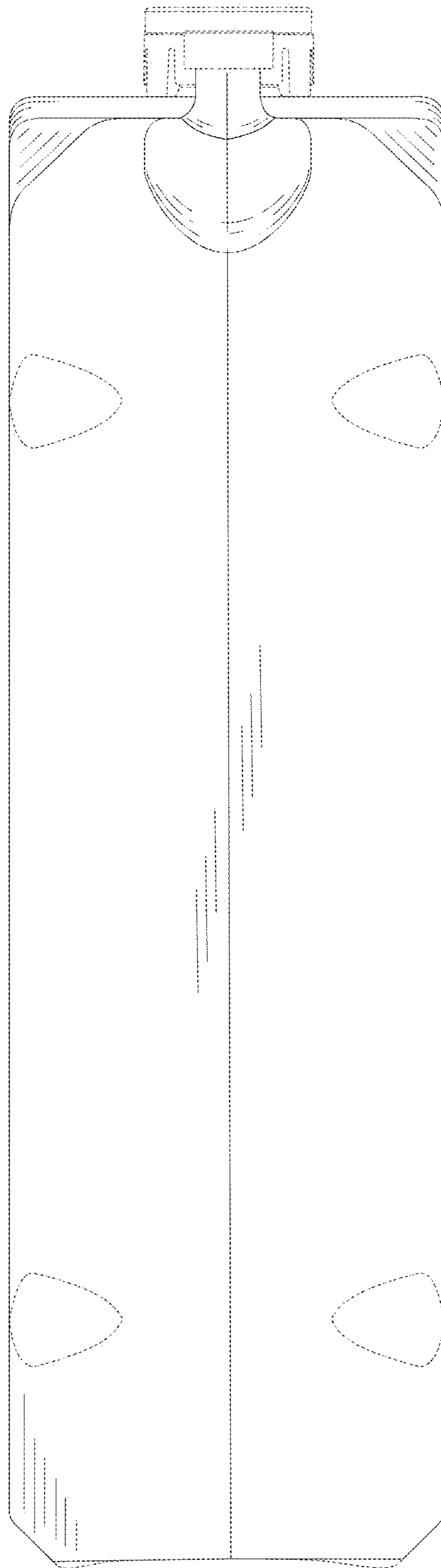


FIG 7