



US00D949961S

(12) **United States Design Patent**
Hamada et al.

(10) **Patent No.:** **US D949,961 S**

(45) **Date of Patent:** **** Apr. 26, 2022**

(54) **BANKNOTE HANDLING MACHINE**

(71) Applicant: **Glory Ltd.**, Himeji (JP)

(72) Inventors: **Takuro Hamada**, Himeji (JP);
Yoshikazu Mitsusada, Himeji (JP);
Yoshitomo Minami, Himeji (JP)

(73) Assignee: **GLORY LTD.**, Himeji (JP)

(**) Term: **15 Years**

(21) Appl. No.: **29/754,163**

(22) Filed: **Oct. 7, 2020**

(51) **LOC (13) Cl.** **18-01**

(52) **U.S. Cl.**
USPC **D18/3.3**

(58) **Field of Classification Search**

USPC ... D18/3.1, 3.2, 3.3, 4.1, 4.4, 12, 12.1, 12.2,
D18/12.3, 46, 47, 56, 59, 2, 4.5, 4.6;
D14/300, 301, 302, 303, 307, 308, 348,
D14/349, 432, 439, 441, 448, 449, 462,
D14/469, 471, 900, 901, 902; D10/96,
D10/97; D99/28, 34, 35, 43, 99;
D19/64, 65, 86, 95, 99, 100; D20/1, 8, 9;
D15/122
CPC .. G07D 11/00; G07D 11/009; G07D 11/0093;
G07D 11/50; G07D 11/0003; G07D
11/0021; G07D 11/0042; G07D 11/0081;
G07D 11/0084; G07D 11/0006;

(Continued)

(56) **References Cited**

U.S. PATENT DOCUMENTS

D158,814 S * 5/1950 Sundberg et al. D14/359
2,588,190 A * 3/1952 Wockenfuss 101/93.45
(Continued)

FOREIGN PATENT DOCUMENTS

CN 208172890 U * 11/2018
JP 2019200602 A * 11/2019
JP 2020181496 A * 11/2020 G07D 11/16

OTHER PUBLICATIONS

CI-10 Datasheet—US. (online PDF) 2 pgs. 2012. [retrieved Oct. 19, 2021] https://www.glory-global.com/-/media/GloryGlobal/Downloads/EN_US/Data_Sheets_EN_US/CI-10-Datasheet-US.pdf.*

Primary Examiner — Marie D. Fast Horse

(74) *Attorney, Agent, or Firm* — Xsensus LLP

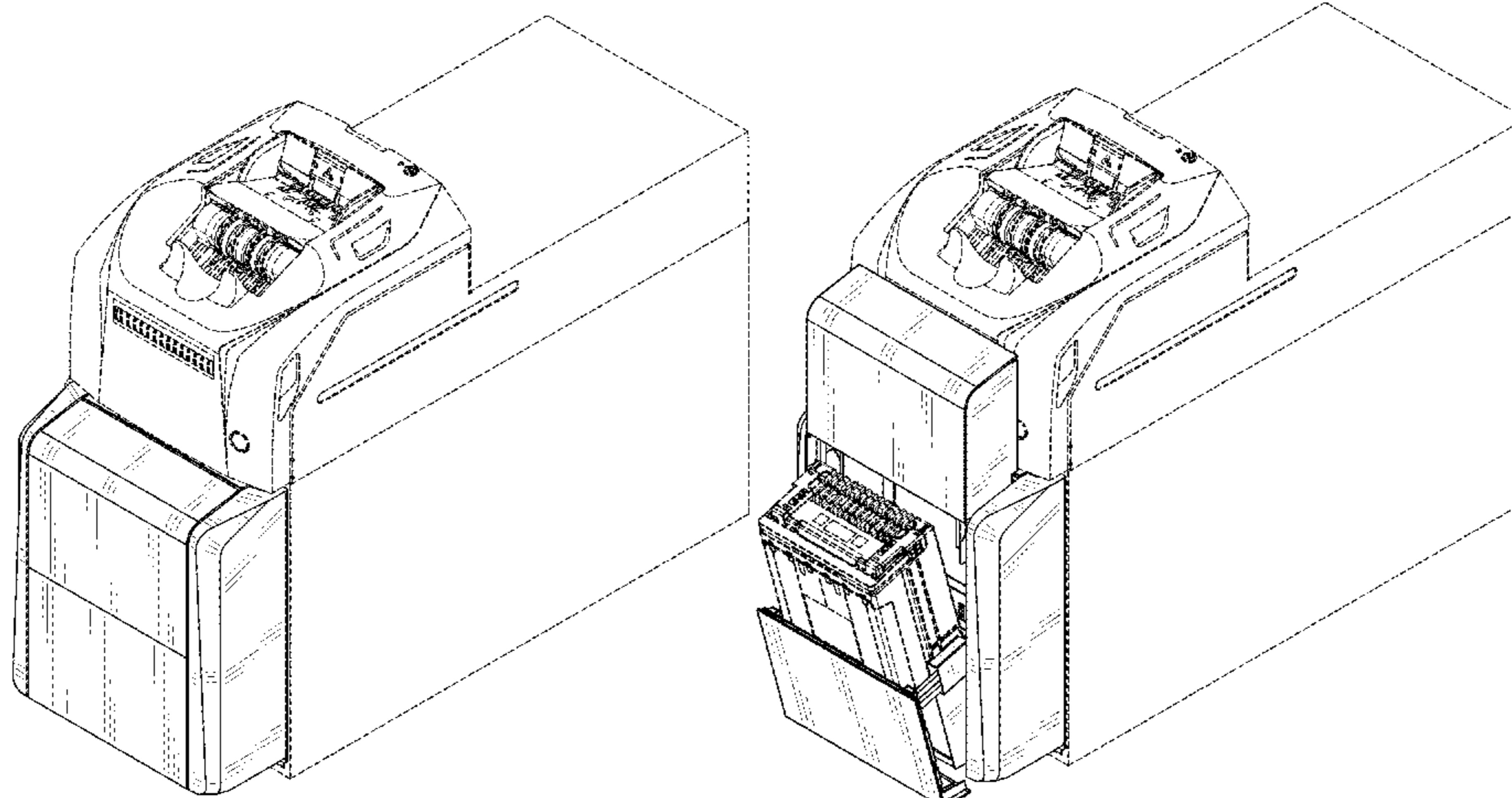
(57) **CLAIM**

The ornamental design for a banknote handling machine, as shown and described.

DESCRIPTION

FIG. 1 is a perspective view of a banknote handling machine;
FIG. 2 is a front elevational view thereof;
FIG. 3 is a rear elevational view thereof;
FIG. 4 is a left side elevational view thereof;
FIG. 5 is a right side elevational view thereof;
FIG. 6 is a top plan view thereof;
FIG. 7 is a bottom plan view thereof;
FIG. 8 is another perspective view thereof, showing a mount portion in an alternate position of use;
FIG. 9 is another perspective view thereof, showing the mount portion in another alternate position of use;
FIG. 10 is another perspective view thereof, showing the mount portion in another alternate position of use;
FIG. 11 is another perspective view thereof, showing the mount portion in another alternate position of use with an attached environmental cassette; and,
FIG. 12 is another perspective view thereof, showing the mount portion in another alternate position of use with the attached environmental cassette.
The broken lines in FIG. 11 and FIG. 12 showing the cassette depict environmental subject matter only and form no part of the claimed design, while all other broken lines in FIGS. 1-12 illustrate portions of the banknote handling machine that form no part of the claimed design.

1 Claim, 12 Drawing Sheets



- (58) **Field of Classification Search**
 CPC G07D 11/0009; G07D 2207/00; G07D
 2211/00; G07D 7/00; G07D 7/04; G07D
 9/008; G07G 1/00; G07G 1/0009; G07G
 1/0036; G07G 1/10; G07G 1/12; G07F
 19/20; G07F 19/205
 See application file for complete search history.

(56) **References Cited**

U.S. PATENT DOCUMENTS

D189,549 S * 1/1961 Koci D10/97
 D199,692 S * 12/1964 Stolarz D10/97
 D207,791 S * 5/1967 Stein D20/1
 D268,840 S * 5/1983 Reed D15/82
 D279,577 S * 7/1985 Kajita D18/3.3
 D295,569 S * 5/1988 Nishida D18/3.3
 5,062,598 A * 11/1991 Winkler G07D 11/26
 271/6
 D335,149 S * 4/1993 Dabrowski D20/1
 D382,859 S * 8/1997 Alfonso D14/349
 D428,045 S * 7/2000 Stettes D18/3.1
 6,105,820 A * 8/2000 McGill A23G 9/28
 222/146.6
 D436,120 S * 1/2001 Nottingham D18/3.1
 D448,040 S * 9/2001 Forslund D18/3.1
 D452,873 S * 1/2002 Nakao D18/3.1
 6,460,705 B1 * 10/2002 Hallowell G07D 11/10
 209/534
 6,601,687 B1 * 8/2003 Jenrick G07D 11/13
 194/206
 6,860,375 B2 * 3/2005 Hallowell G07D 11/24
 194/328
 D535,653 S * 1/2007 Chen D14/349
 D537,442 S * 2/2007 Lauffer D14/349
 7,370,792 B1 * 5/2008 Graef G07F 19/20
 235/379
 D574,417 S * 8/2008 Gaze D14/308
 D574,418 S * 8/2008 Gaze D14/308
 D574,419 S * 8/2008 Gaze D14/308
 D574,420 S * 8/2008 Gaze D14/308
 D574,421 S * 8/2008 Gaze D14/308
 D574,422 S * 8/2008 Gaze D14/308
 D579,481 S * 10/2008 Gaze D14/308
 D579,482 S * 10/2008 Gaze D14/308
 D604,732 S * 11/2009 Sun D14/349
 D608,779 S * 1/2010 Chen D14/349
 D618,875 S * 6/2010 Tougo D99/28
 D624,066 S * 9/2010 Samsonsen D14/308
 D626,171 S * 10/2010 Von Heifner D18/3.1
 D650,007 S * 12/2011 Inage D18/3.3
 D652,444 S * 1/2012 Inage D18/3.3
 D669,525 S * 10/2012 Bieck D18/3.3
 D671,164 S * 11/2012 Bieck D18/3.3
 D674,020 S * 1/2013 Hecht D20/1
 D677,714 S * 3/2013 Helgesson D18/4.4
 D686,663 S * 7/2013 Bruck D20/1
 D690,330 S * 9/2013 Tsuchiyama D15/122
 D725,865 S * 3/2015 Cho D99/28
 8,973,817 B1 * 3/2015 Daniel, III G07F 19/202
 235/379

D728,027 S * 4/2015 Plakas D20/1
 D744,996 S * 12/2015 Keisling D14/308
 D766,540 S * 9/2016 Lee D99/28
 D767,239 S * 9/2016 Umeda D99/34
 D774,722 S * 12/2016 Yeon D99/28
 D776,399 S * 1/2017 Yeon D99/28
 D782,148 S * 3/2017 Rohan D99/28
 D803,507 S * 11/2017 Park D99/28
 D810,189 S * 2/2018 Enomoto D18/3.1
 D825,133 S * 8/2018 Park D99/28
 D834,092 S * 11/2018 Bruckner D20/8
 10,204,469 B2 * 2/2019 Yokawa G07D 11/26
 D844,045 S * 3/2019 Umeda D18/3.1
 D850,524 S * 6/2019 Oba D18/3.3
 D871,499 S 12/2019 Kuroda et al.
 D874,569 S * 2/2020 Tumblety D20/1
 D879,873 S 3/2020 Takahashi et al.
 D888,047 S * 6/2020 van de Poll D14/307
 D892,217 S * 8/2020 Tumblety D20/1
 2003/0201146 A1 * 10/2003 Abe G07D 1/02
 194/302
 2005/0056693 A1 * 3/2005 Yokoi G07D 11/30
 235/379
 2006/0043167 A1 * 3/2006 Fujioka G07F 19/202
 235/379
 2008/0047801 A1 * 2/2008 Nakatsuka G07D 11/26
 194/206
 2009/0120760 A1 * 5/2009 Sjostrom G07D 9/008
 194/302
 2010/0168902 A1 * 7/2010 Mizushima G07D 11/23
 700/214
 2010/0181333 A1 * 7/2010 Mizushima G07D 11/14
 221/1
 2010/0200448 A1 * 8/2010 Doi G07D 11/22
 206/459.1
 2010/0303332 A1 * 12/2010 Miki G07D 11/50
 382/135
 2012/0005073 A1 * 1/2012 Gnorski G06Q 20/10
 705/39
 2012/0012436 A1 * 1/2012 Nakamoto B65H 29/006
 194/215
 2012/0173013 A1 * 7/2012 Nakamoto G07D 11/50
 700/215
 2013/0006414 A1 * 1/2013 Tagashira G07D 11/0087
 700/232
 2013/0256987 A1 * 10/2013 Miki G07D 11/50
 271/264
 2014/0072696 A1 * 3/2014 Nomura G07D 11/125
 427/7
 2016/0379433 A1 * 12/2016 Lavigne G07D 11/36
 271/3.14
 2017/0270737 A1 * 9/2017 Sakamoto G07F 7/04
 2019/0073851 A1 * 3/2019 Umeda G07D 1/00
 2019/0122478 A1 * 4/2019 Sanda G07D 7/17
 2019/0139350 A1 * 5/2019 Kuroda G07D 11/34
 2019/0147683 A1 * 5/2019 Kobayashi G07D 11/25
 235/379
 2020/0035055 A1 * 1/2020 Razzaboni G07D 1/00
 2020/0134957 A1 * 4/2020 Yokawa G07D 11/125
 2020/0342705 A1 * 10/2020 Yagi G07G 1/0018
 2020/0372745 A1 * 11/2020 Onishi G07F 19/202

* cited by examiner

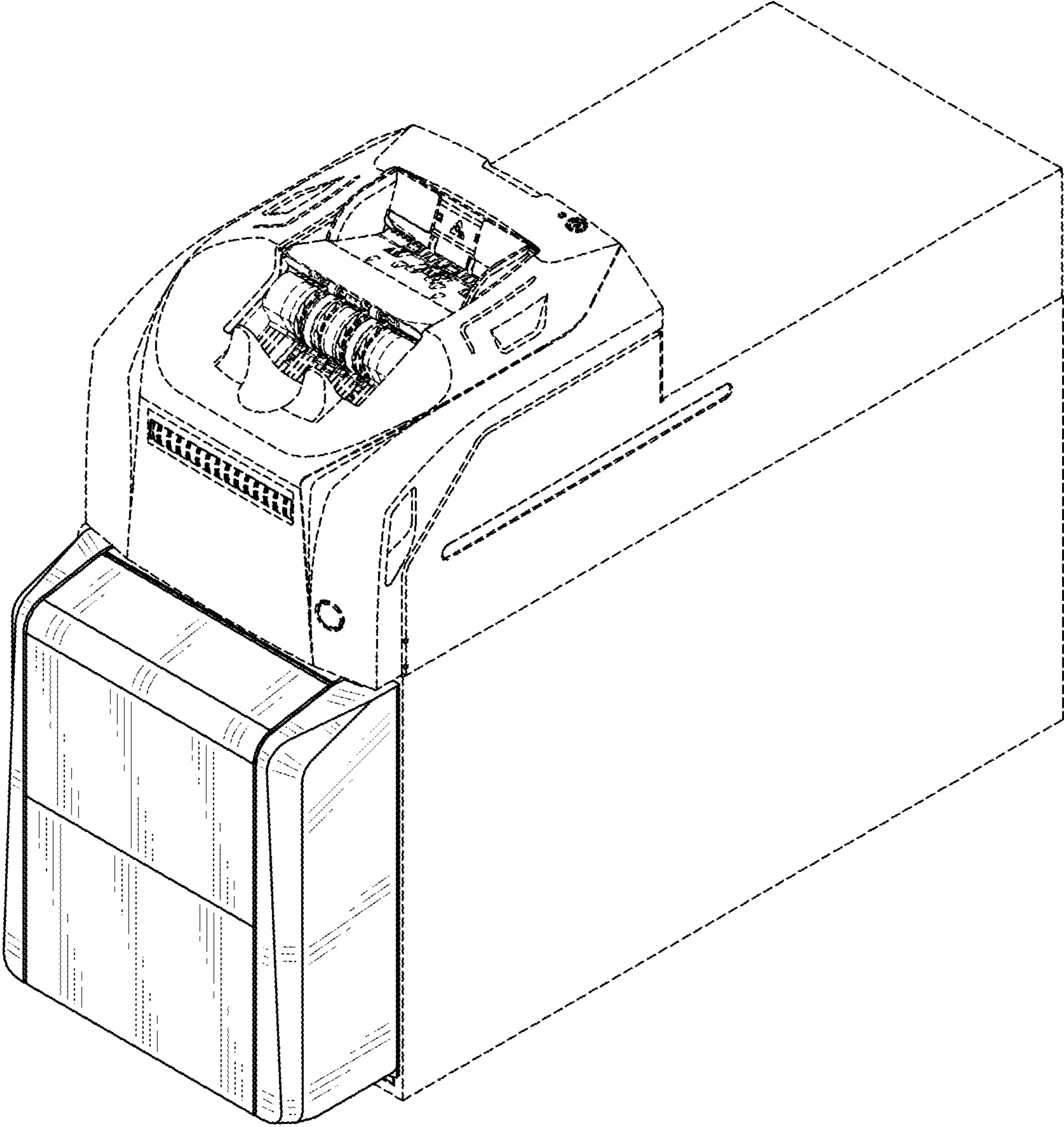


FIG. 1

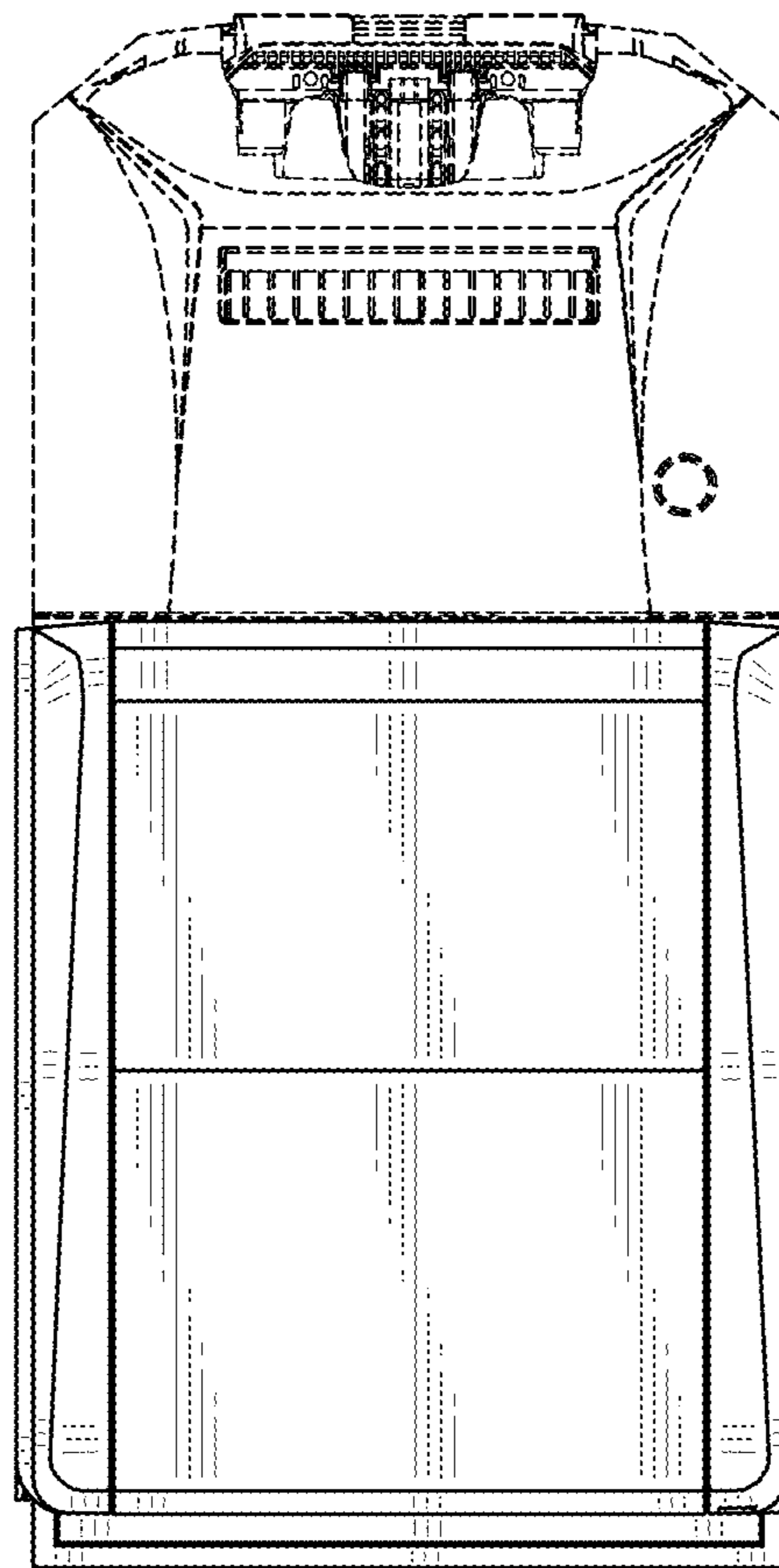


FIG. 2

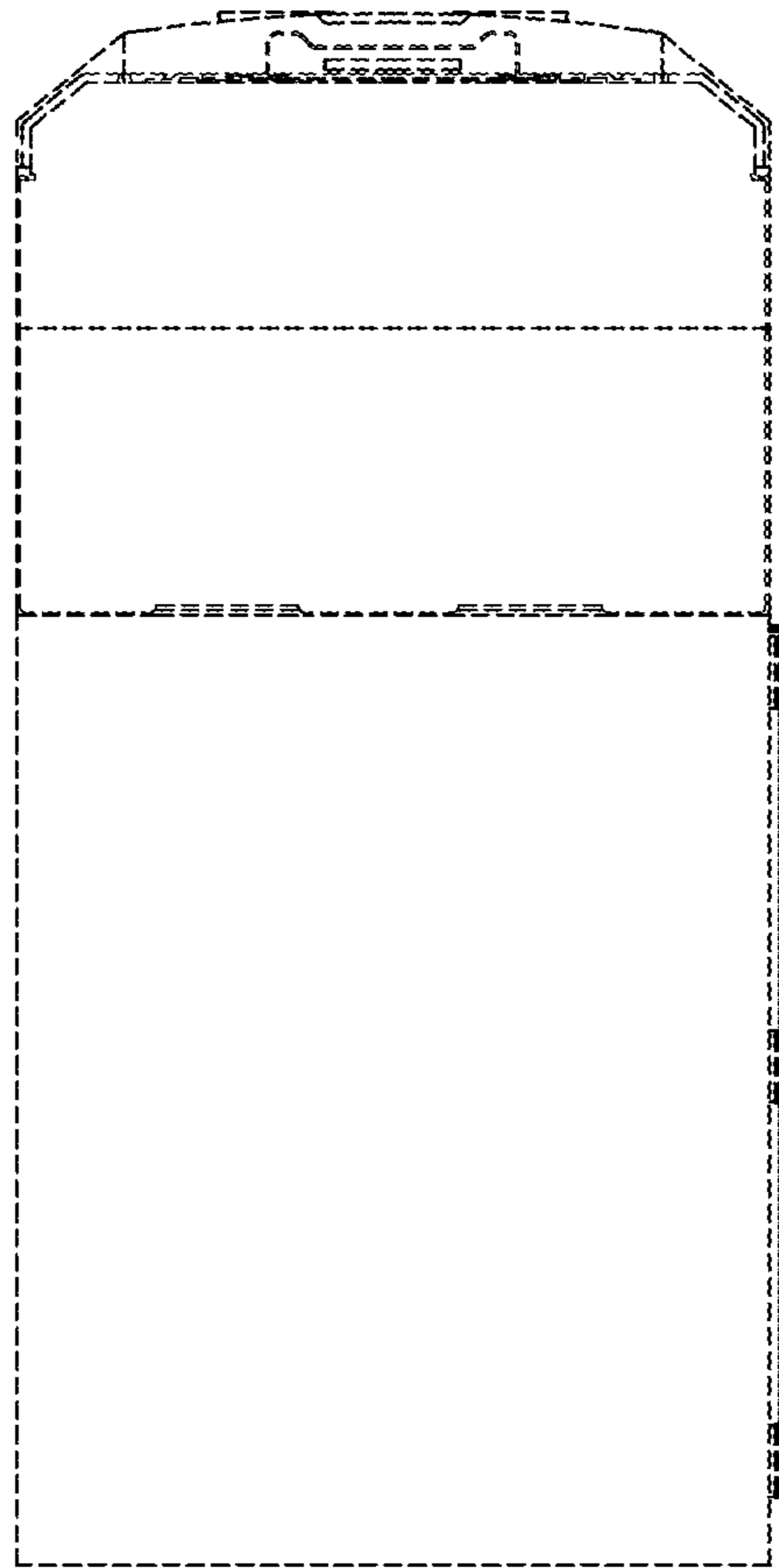


FIG. 3

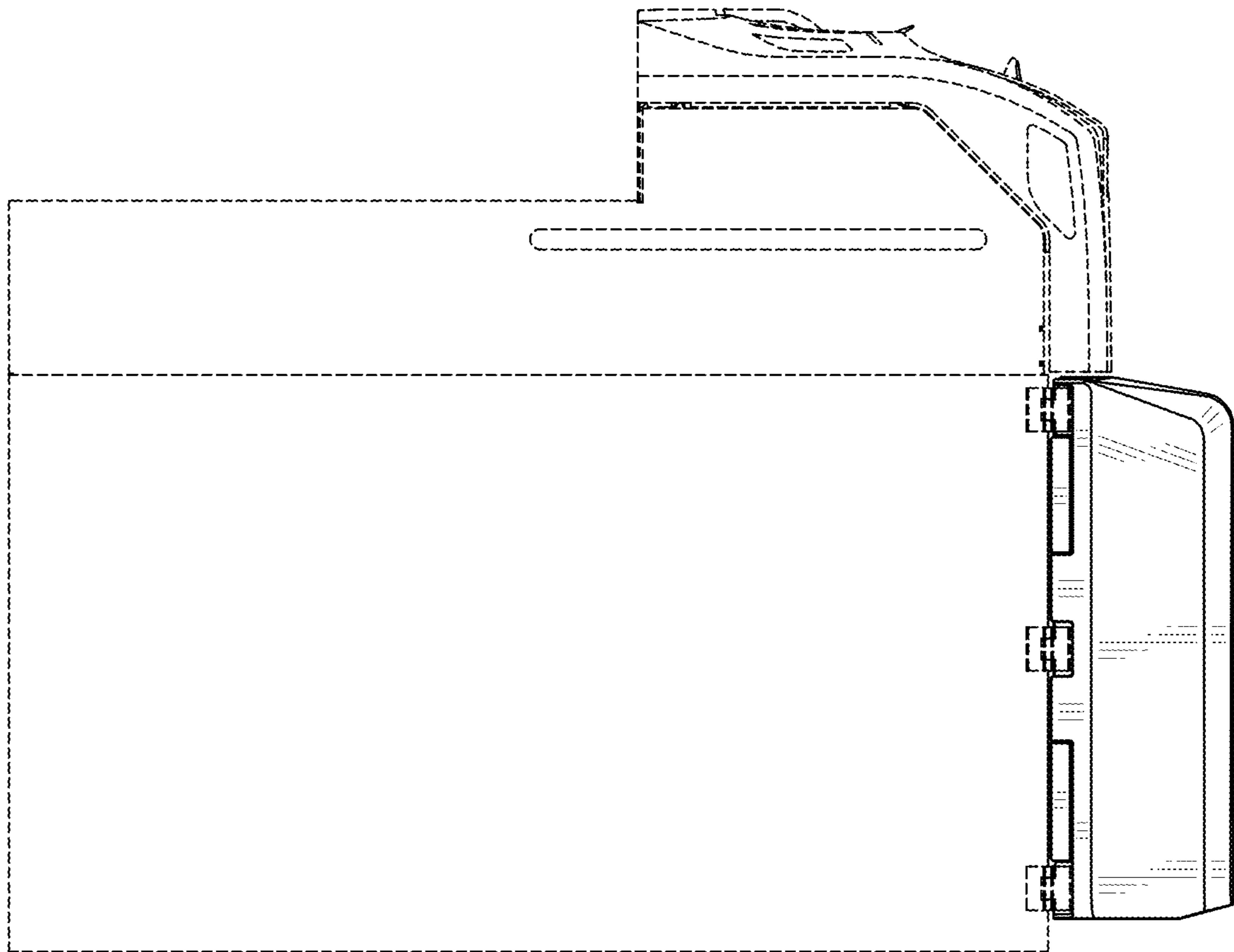


FIG. 4

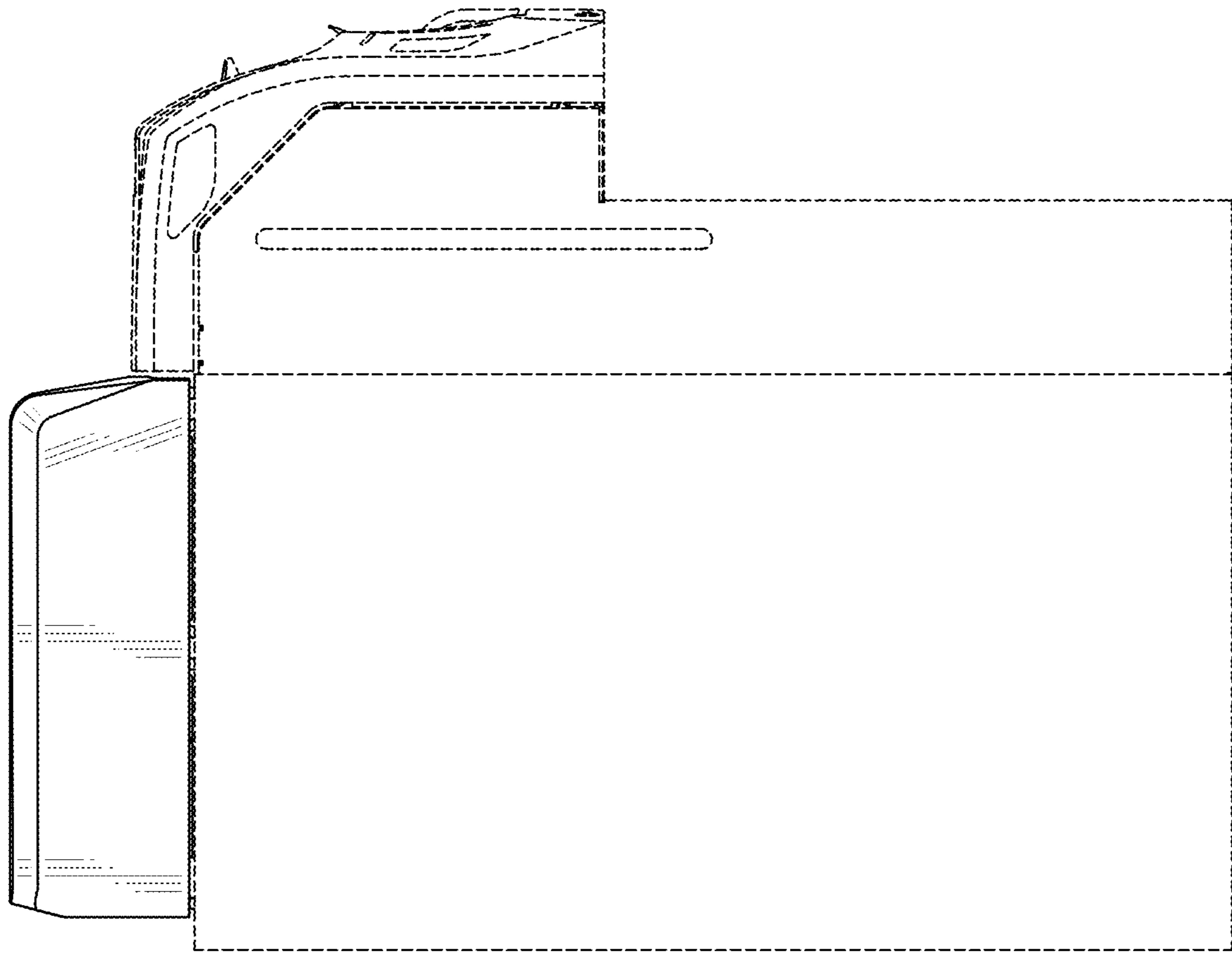


FIG. 5

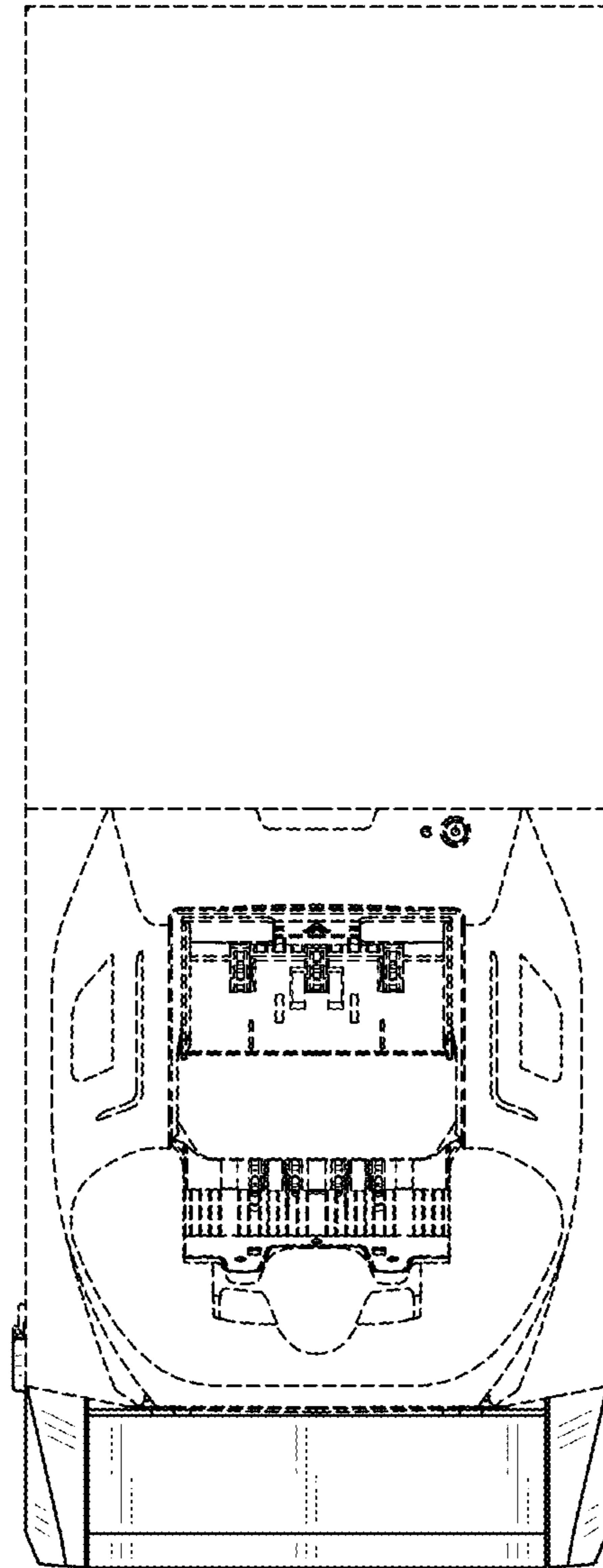


FIG. 6

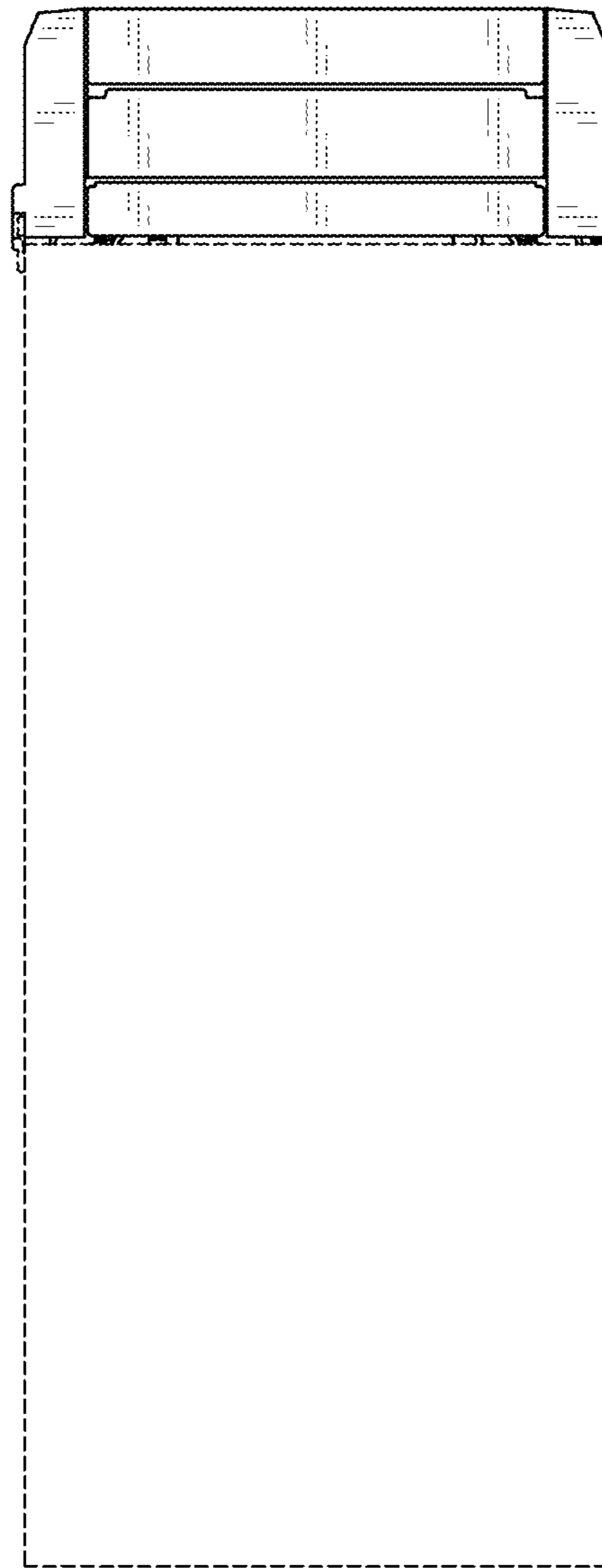


FIG. 7

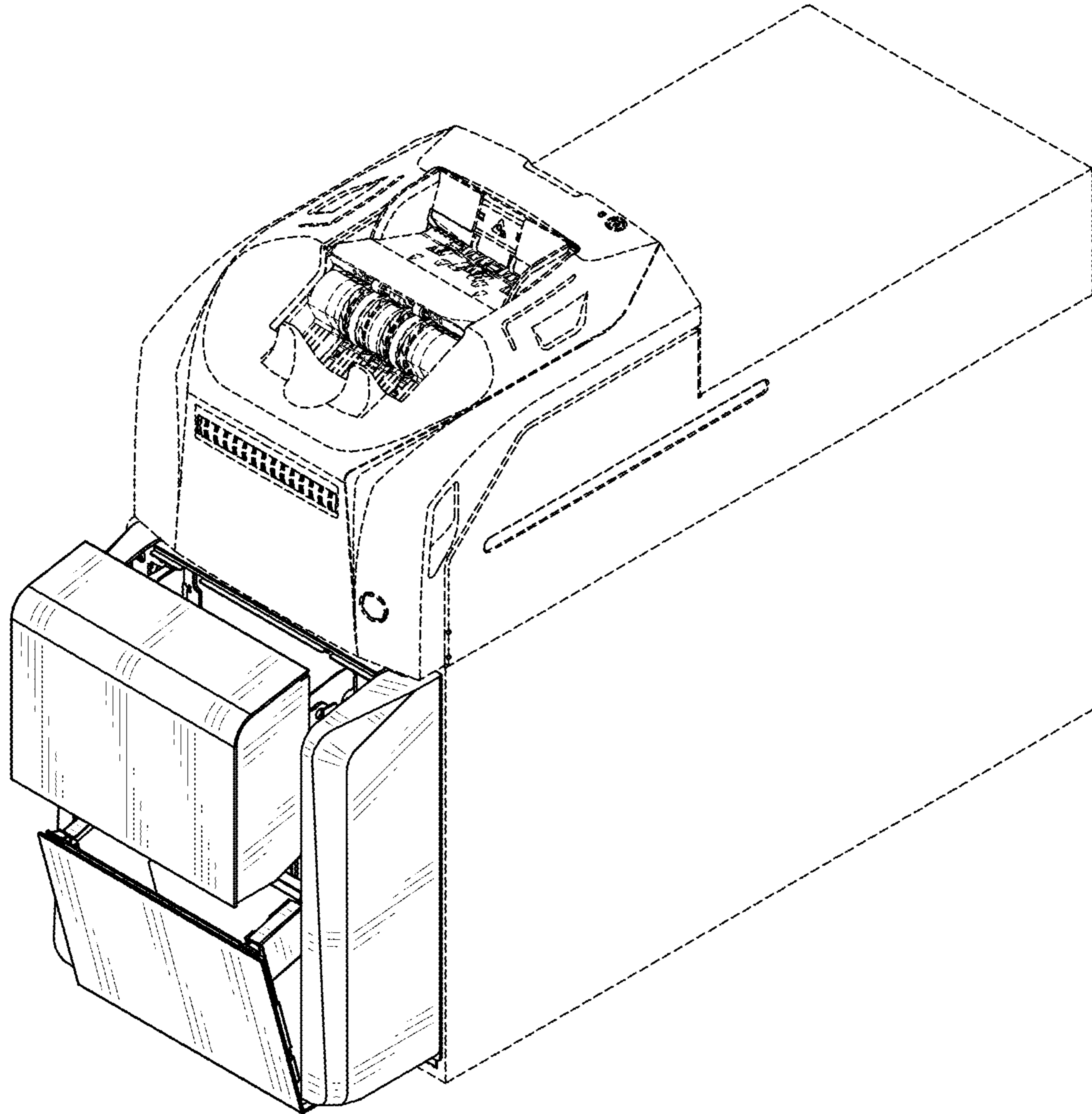


FIG. 8

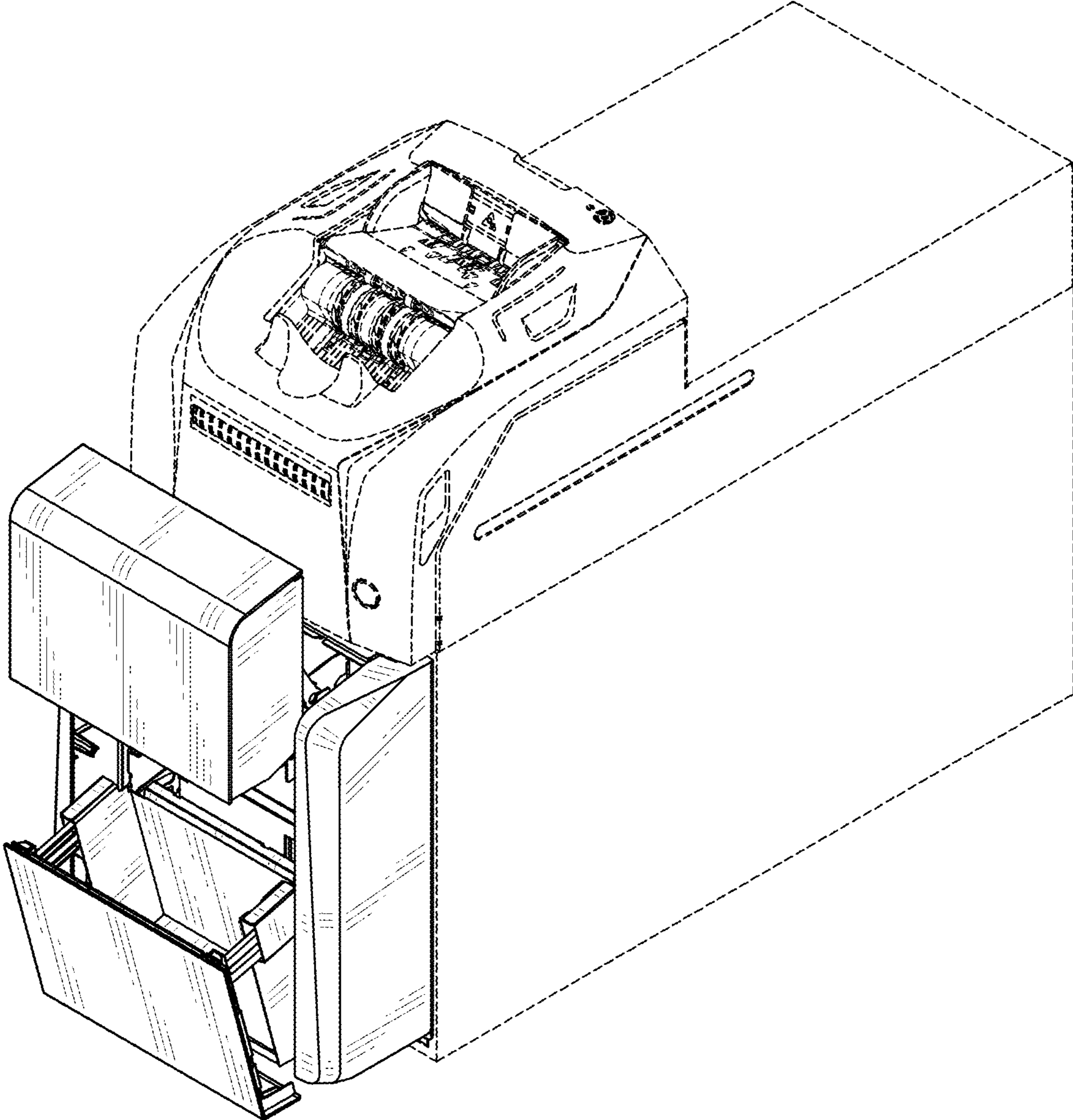


FIG. 9

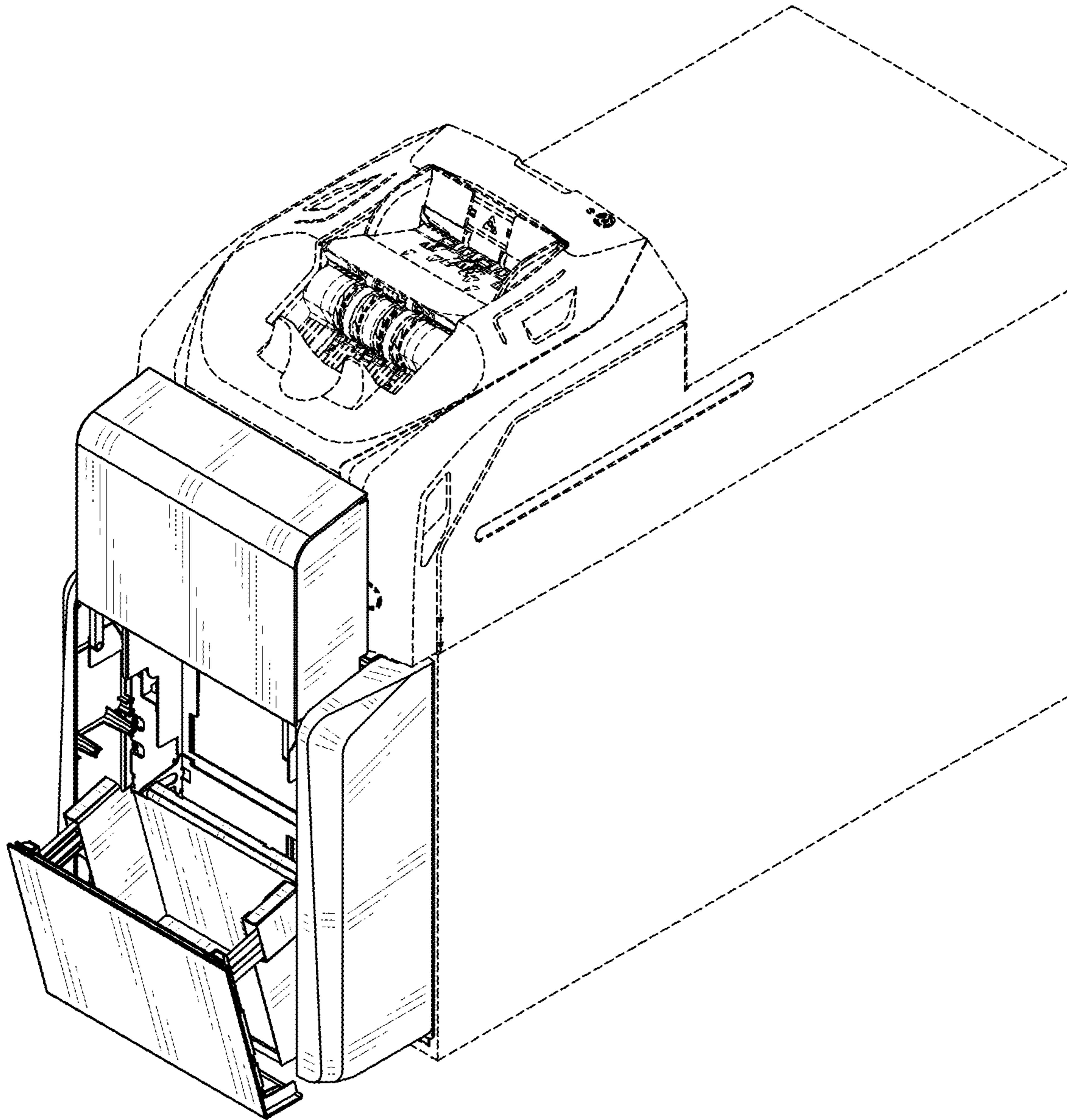


FIG. 10

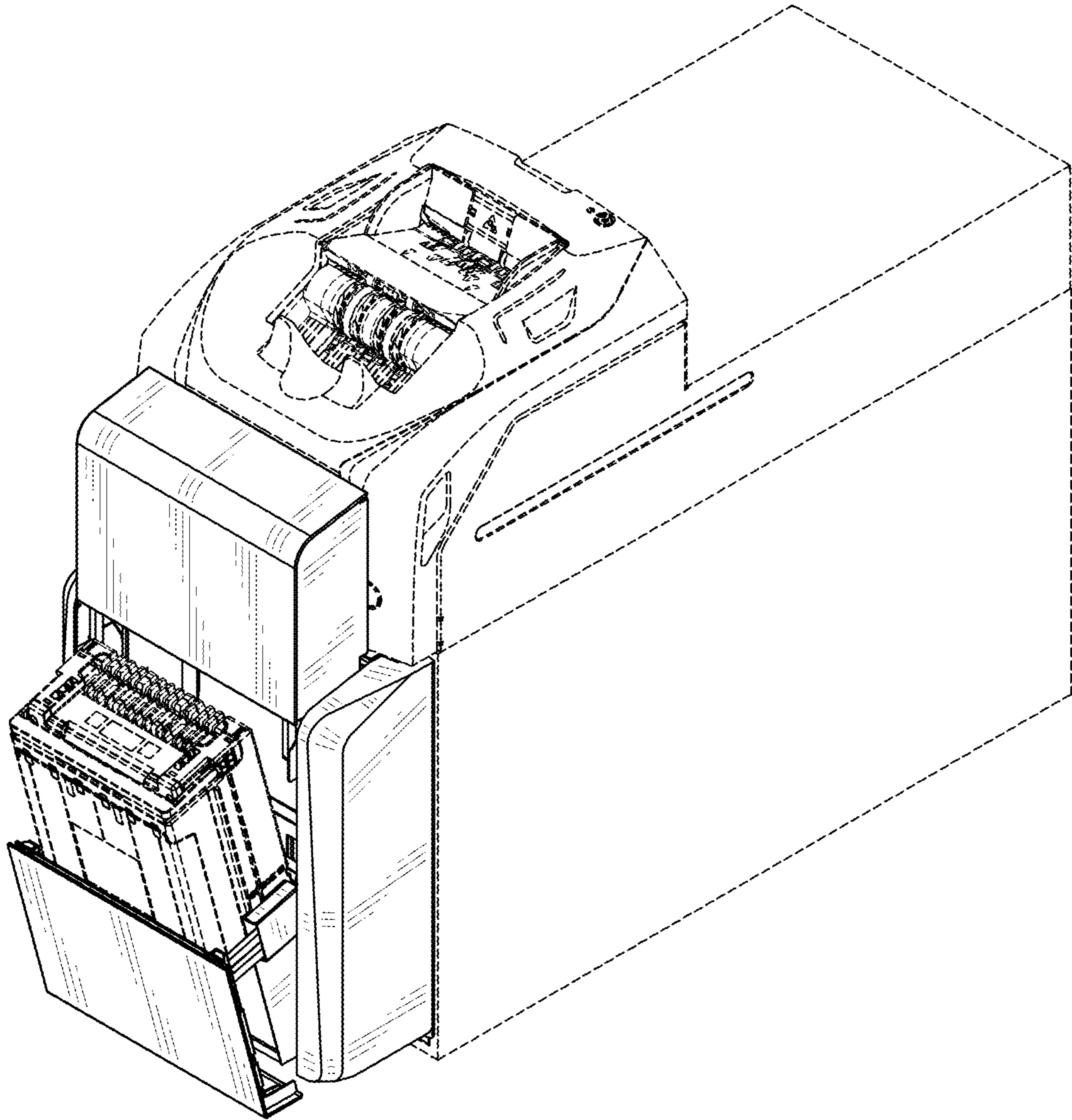


FIG. 11

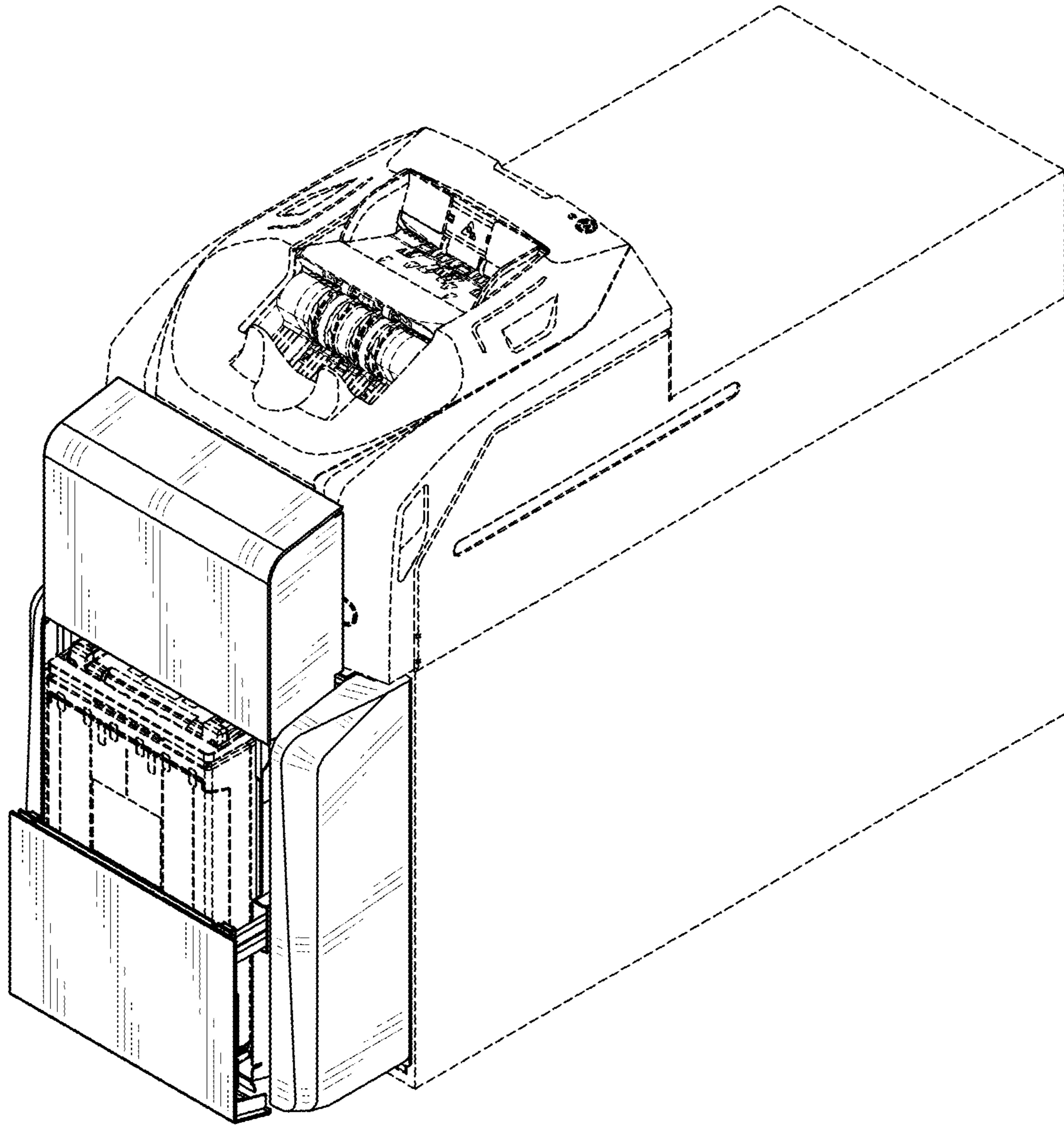


FIG. 12