



US00D949960S

(12) **United States Design Patent**
McCoy

(10) **Patent No.:** **US D949,960 S**
(45) **Date of Patent:** **** Apr. 26, 2022**

(54) **SOUND PEDAL**

- (71) Applicant: **Chaos Audio LLC**, Panama City Beach, FL (US)
- (72) Inventor: **Landon McCoy**, Panama City Beach, FL (US)
- (**) Term: **15 Years**
- (21) Appl. No.: **29/767,097**
- (22) Filed: **Jan. 20, 2021**
- (51) **LOC (13) Cl.** **17-03**
- (52) **U.S. Cl.**
USPC **D17/20**
- (58) **Field of Classification Search**
USPC D17/9, 20, 99; D13/167
CPC G10D 3/00; G10D 3/053; G10D 3/14;
G10D 3/147; G10D 13/16; G10D 13/11;
G10H 3/186; G10H 1/348
See application file for complete search history.

OTHER PUBLICATIONS

Amazon.com. https://www.amazon.com/dp/B08DZQWTJM/ref=sspa_dk_detail_5?psc=1p13NParams&spLa=ZW5jcnlwdGVkUXVhbGlmaWVyPUEwNTcxMTI2M1VWSDIXS0tBMVj4OSZ3aWRnZXROYWlIPXNwX2RldGFpbDlmYWN0aW9uPWNsaWNrUmVkaXJlY3QmZG9Ob3Rmb2dDbGljaz10cnVI. "Eventide H9 Max". Jul. 2020 (Year: 2020).*

* cited by examiner

Primary Examiner — R. Johnson
(74) *Attorney, Agent, or Firm* — Adams IP, LLC; Edward B Garner, III; James H Adams

(56) **References Cited**

U.S. PATENT DOCUMENTS

| | | | | |
|-------------------|---------|-----------|-------|-------------------------|
| D141,413 S * | 5/1945 | Simonds | | D13/167 |
| D220,697 S * | 5/1971 | Olson | | D12/400 |
| D235,779 S * | 7/1975 | Barr | | D10/75 |
| D782,566 S * | 3/2017 | Faoro | | D17/99 |
| D791,859 S * | 7/2017 | Graham | | D17/99 |
| D853,470 S * | 7/2019 | Ridinger | | D17/99 |
| D870,199 S * | 12/2019 | Graham | | D17/99 |
| D917,609 S * | 4/2021 | Graham | | D17/99 |
| 2009/0199700 A1 * | 8/2009 | Goldstein | | G10H 1/348 84/746 |
| 2012/0297963 A1 * | 11/2012 | Armstrong | | G10H 1/348 84/746 |
| 2019/0103086 A1 * | 4/2019 | Christian | | H01M 10/0525 |
| 2019/0143470 A1 * | 5/2019 | Chen | | B23Q 17/2414 356/138 |

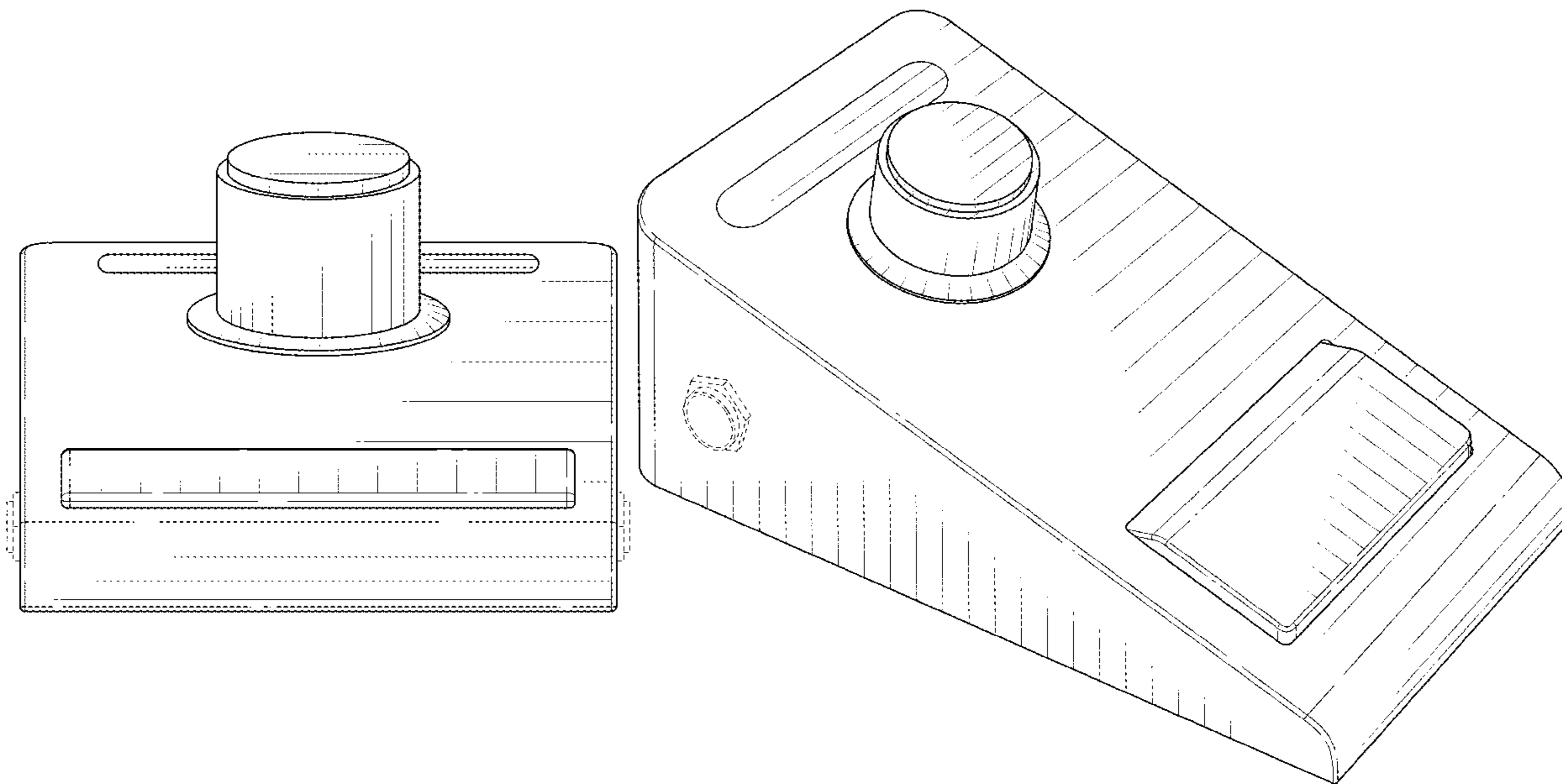
(57) **CLAIM**

The ornamental design for a sound pedal, as shown and described.

DESCRIPTION

FIG. 1 is a front view of a sound pedal showing the claimed design;
FIG. 2 is a rear view thereof;
FIG. 3 is a left side view thereof;
FIG. 4 is a right side view thereof;
FIG. 5 is a top plan view thereof;
FIG. 6 is a bottom plan view thereof; and,
FIG. 7 is a top left perspective view thereof.
The dashed broken lines in the figures show portions of the sound pedal subject matter that form no part of the claimed design.

1 Claim, 6 Drawing Sheets



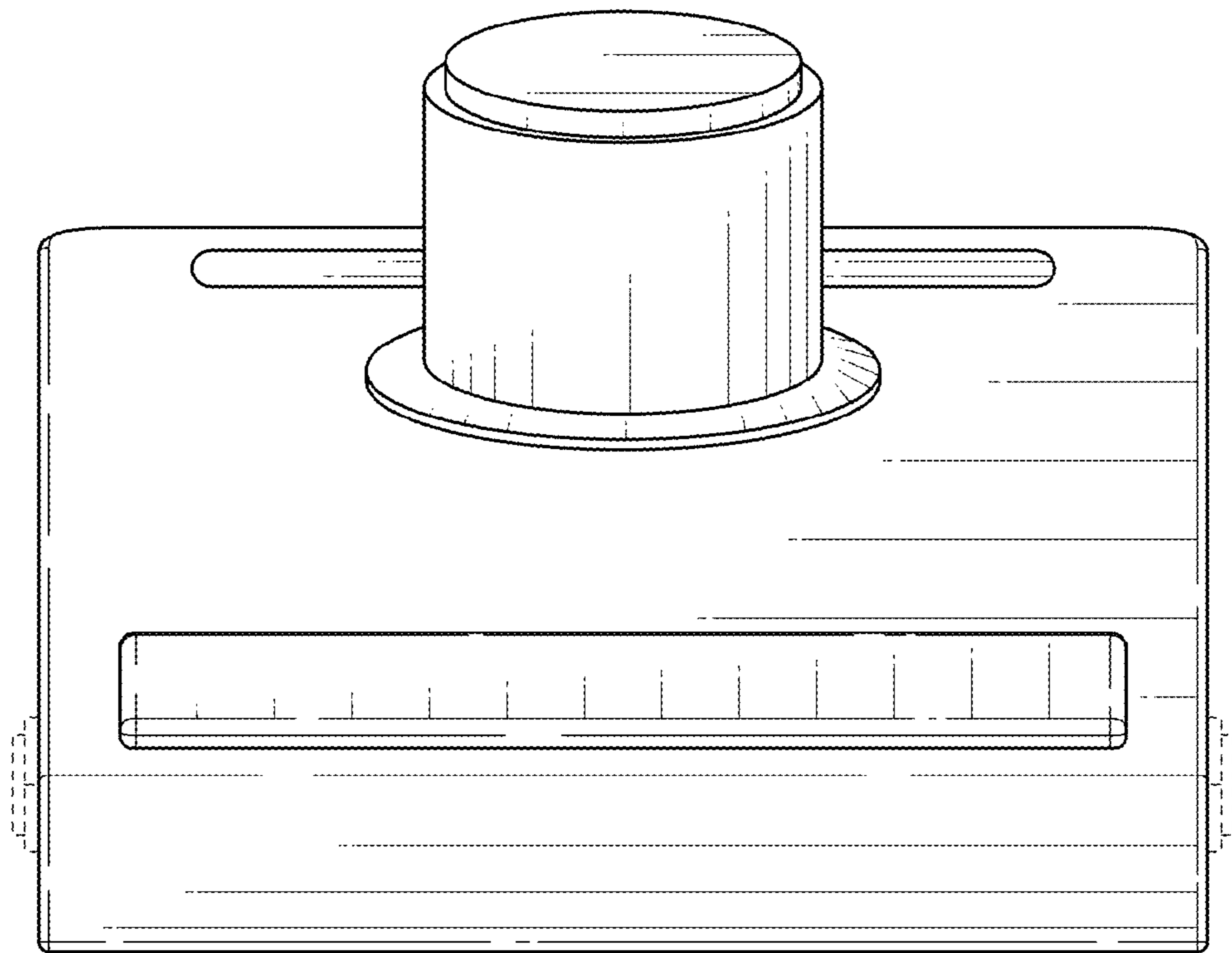


FIG. 1

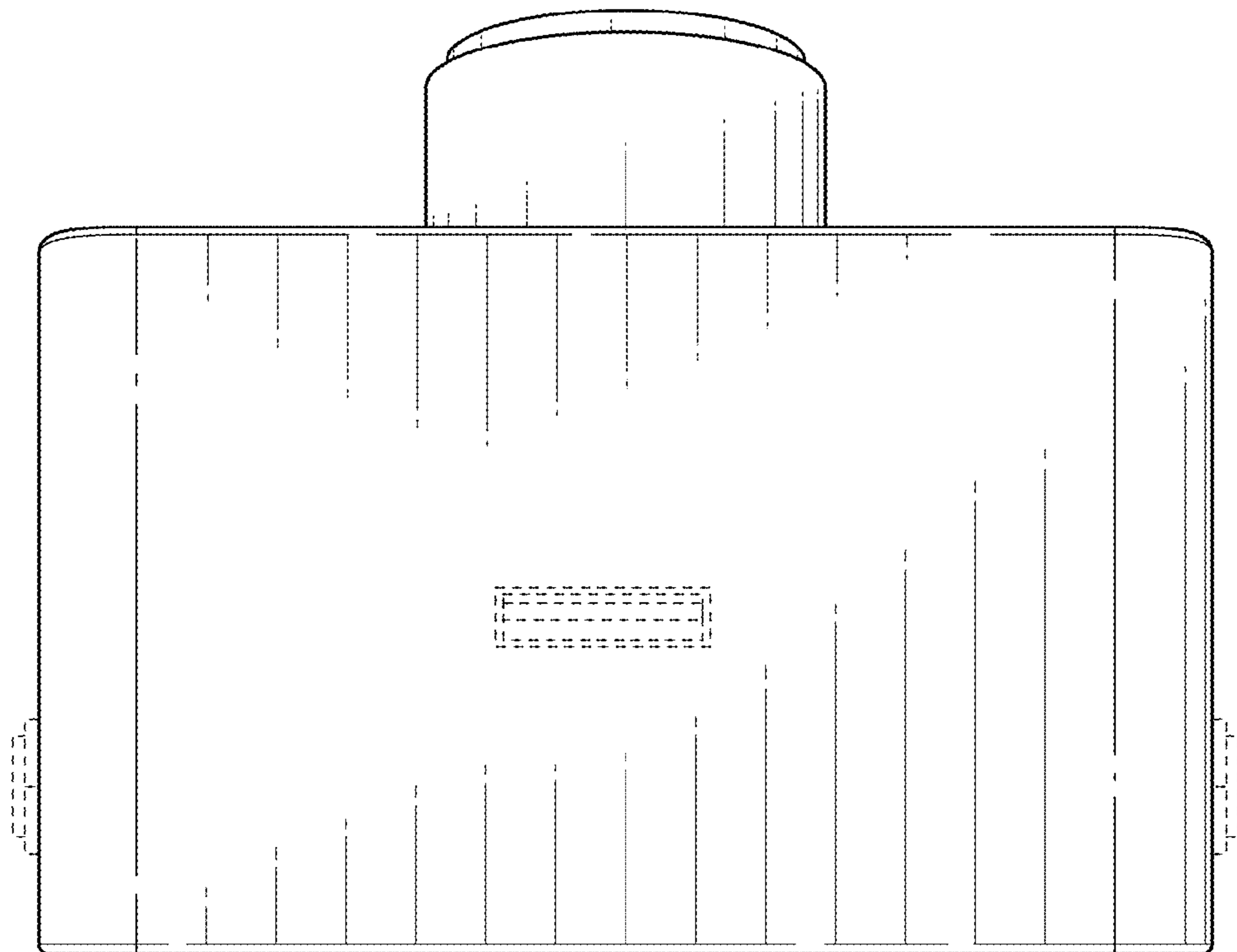


FIG. 2

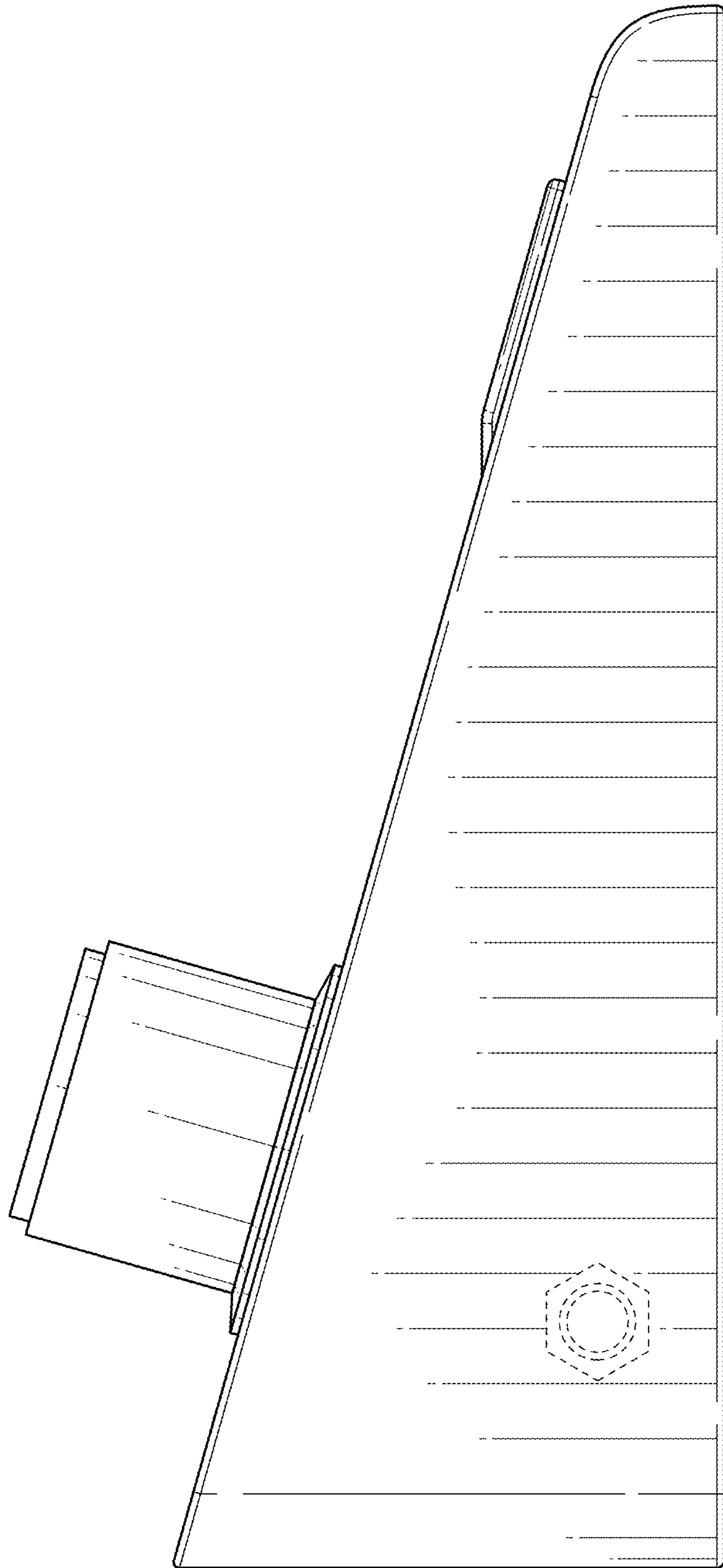


FIG. 3

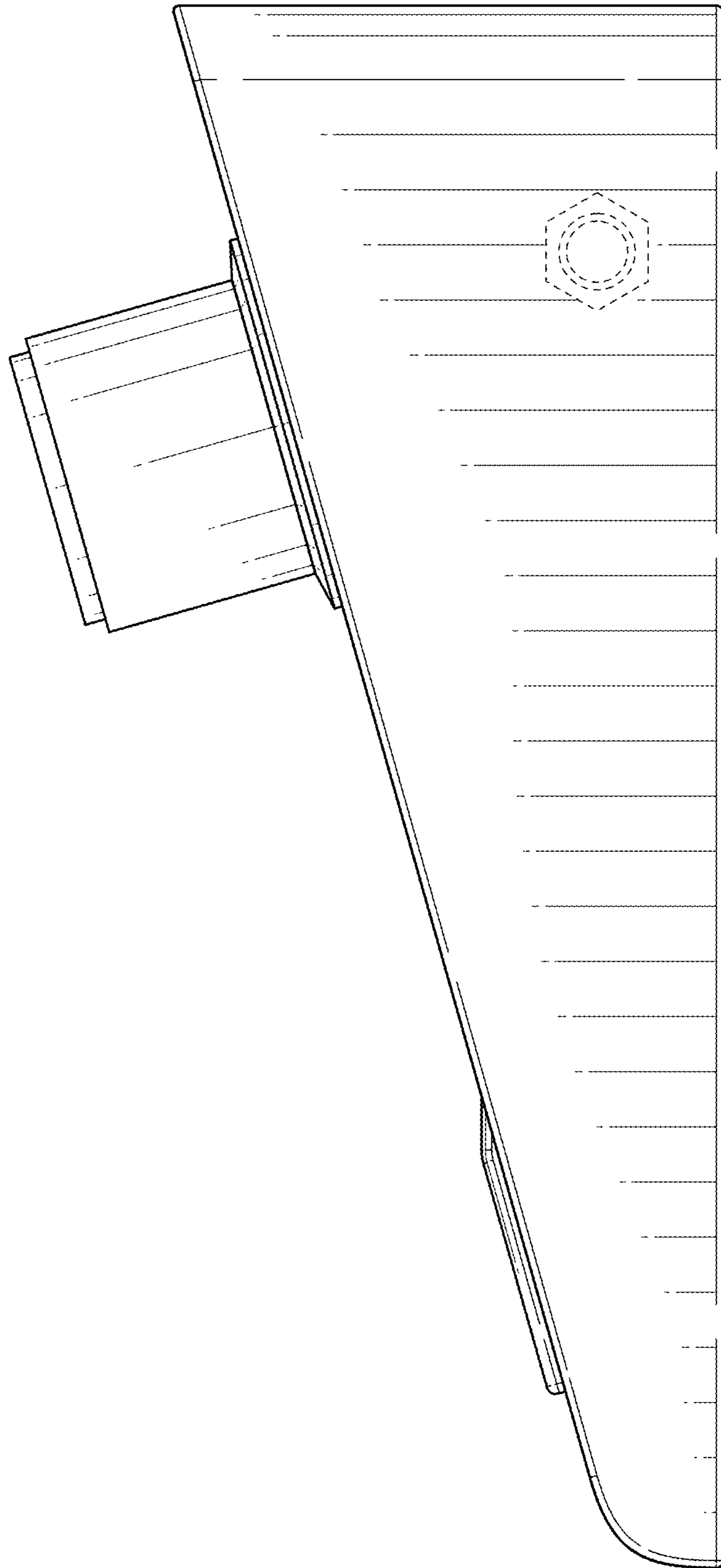


FIG. 4

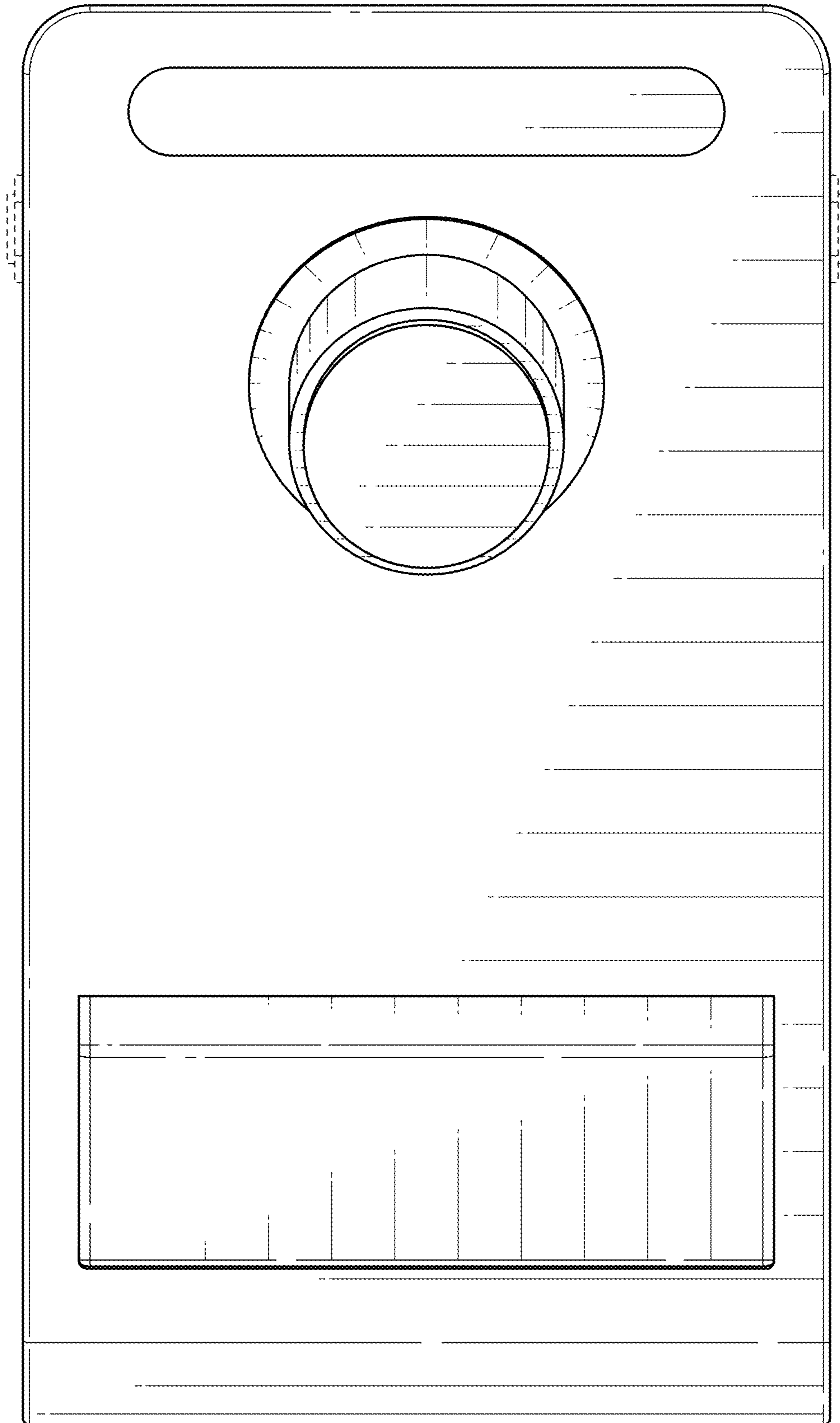


FIG. 5

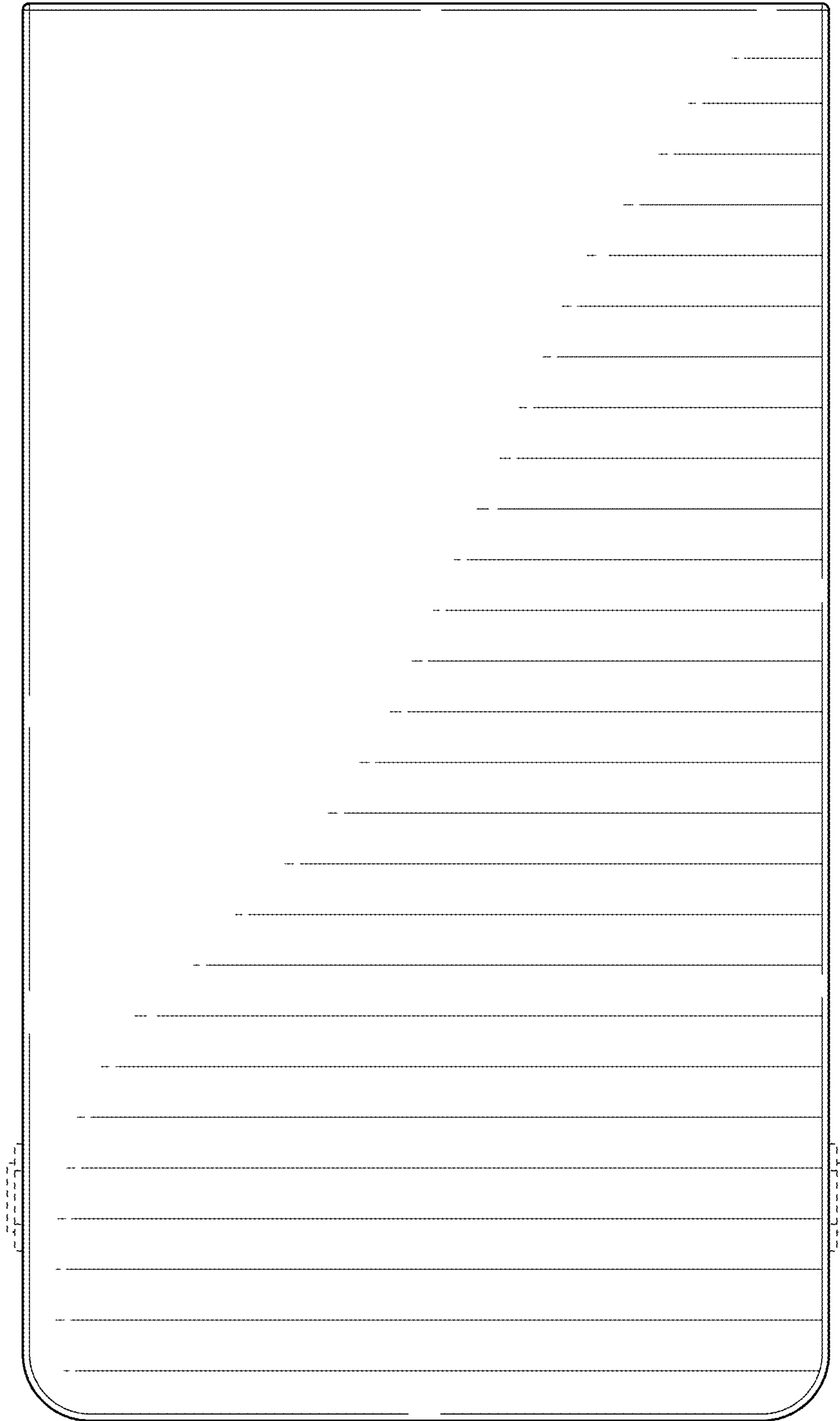


FIG. 6

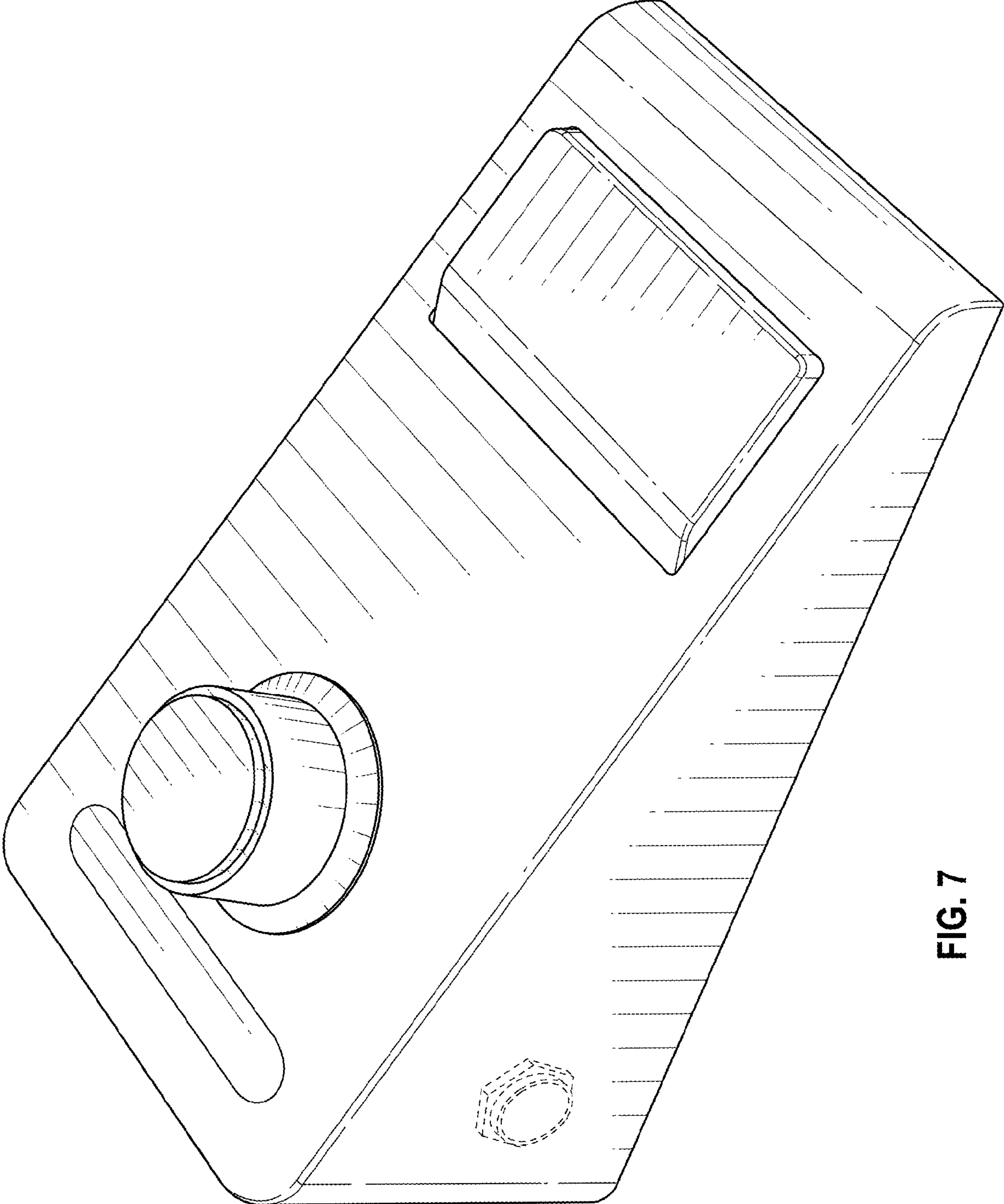


FIG. 7