



US00D949956S

(12) **United States Design Patent**  
**Porter et al.**

(10) **Patent No.:** **US D949,956 S**  
(45) **Date of Patent:** **\*\* Apr. 26, 2022**

(54) **SMART GLASSES**

(71) Applicant: **Vuzix Corporation**, West Henrietta,  
NY (US)

(72) Inventors: **Tyler W. Porter**, Honeoye Falls, NY  
(US); **Marc Tappeiner**, Santa Barbara,  
CA (US); **Frank Strauss**, Santa  
Barbara, CA (US)

(73) Assignee: **Vuzix Corporation**, West Henrietta,  
NY (US)

(\*\*) Term: **15 Years**

(21) Appl. No.: **29/696,293**

(22) Filed: **Jun. 26, 2019**

(51) **LOC (13) Cl.** ..... **16-06**

(52) **U.S. Cl.**  
USPC ..... **D16/326**

(58) **Field of Classification Search**  
USPC ..... D16/309, 300, 325, 314, 326  
CPC ..... G02B 2027/014  
See application file for complete search history.

(56) **References Cited**

U.S. PATENT DOCUMENTS

D208,437 S *	8/1967	Kono	.....	D16/326
D645,492 S *	9/2011	Zhao	.....	D16/309
D645,493 S *	9/2011	Zhao	.....	D16/309
D646,316 S *	10/2011	Zhao	.....	D16/309
D647,947 S *	11/2011	Yu	.....	D16/309
D770,558 S *	11/2016	Ghodousi	.....	D16/309
D786,958 S *	5/2017	Grasset	.....	D16/326
D810,182 S *	2/2018	Porter	.....	D16/309
D814,552 S *	4/2018	Cox	.....	D16/309
D841,078 S *	2/2019	Liao	.....	D16/309
D849,822 S *	5/2019	Marron	.....	D16/309
D865,040 S *	10/2019	Schaal	.....	D16/309
D865,041 S *	10/2019	Schaal	.....	D16/309

D875,817 S *	2/2020	Schaal	.....	D16/309
D899,493 S *	10/2020	Cohen	.....	D16/309
D899,494 S *	10/2020	Cohen	.....	D16/309
D899,495 S *	10/2020	Cohen	.....	D16/309
D899,496 S *	10/2020	Cohen	.....	D16/309
D899,497 S *	10/2020	Cohen	.....	D16/309
D899,498 S *	10/2020	Cohen	.....	D16/309
D899,499 S *	10/2020	Cohen	.....	D16/309
D899,500 S *	10/2020	Cohen	.....	D16/309

(Continued)

**OTHER PUBLICATIONS**

Intel Vaunt smart glasses, posted at theverge.com, posting date Feb. 5, 2018, [online], [site visited Dec. 13, 2020]. Available from Internet, URL: <https://www.theverge.com/2018/2/5/16966530/intel-vaunt-smart-glasses-announced-ar-video> (Year: 2018).\*

(Continued)

*Primary Examiner* — Maria J. Edwards

(74) *Attorney, Agent, or Firm* — Jacob D. Merrill, Esq.;  
Harter Secrest & Emery LLP

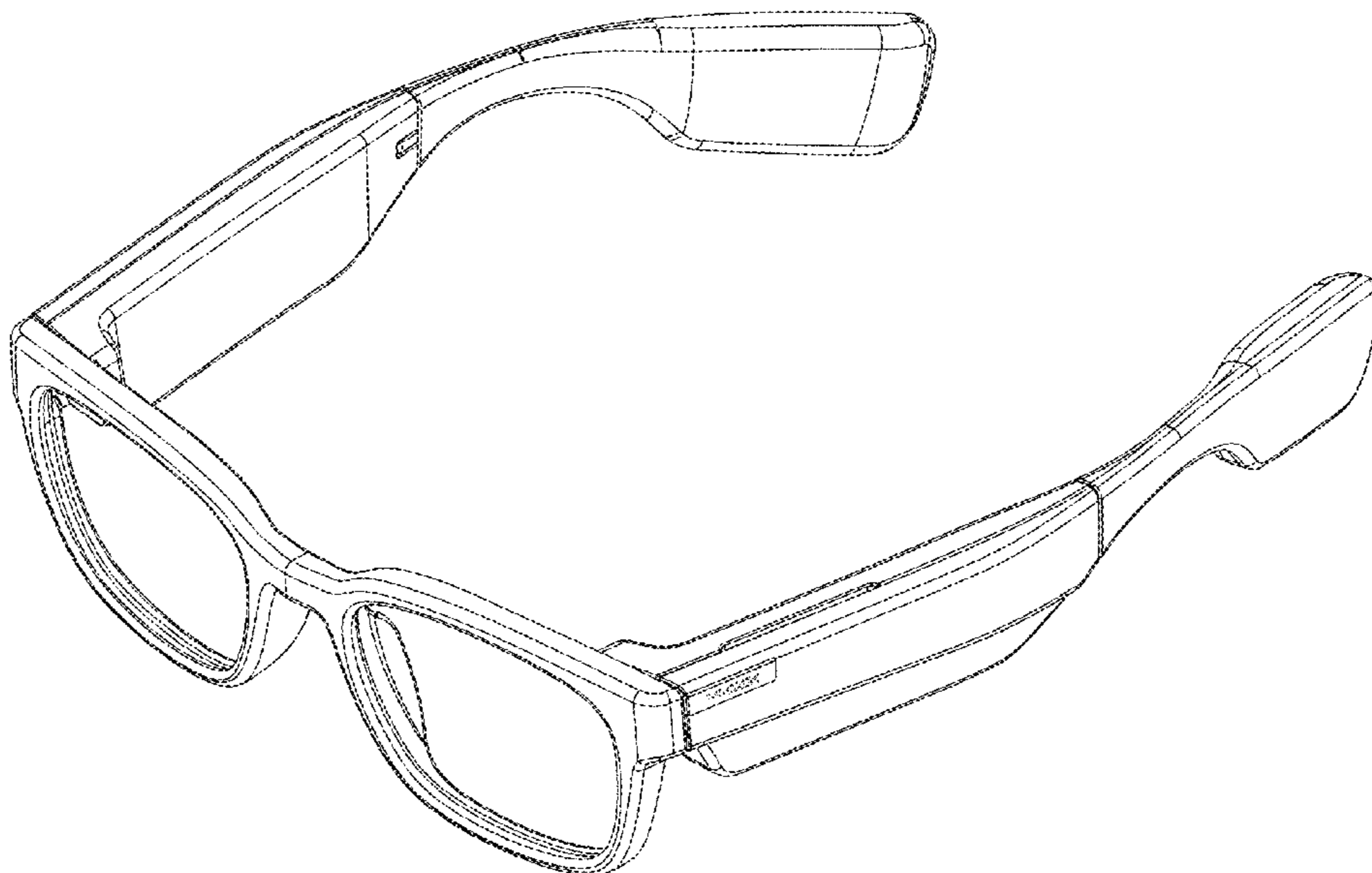
(57) **CLAIM**

The ornamental design for smart glasses, as shown and described.

**DESCRIPTION**

FIG. 1 is a bottom, front, and right side perspective view of smart glasses according to the present invention; FIG. 2 is a top view thereof; FIG. 3 is a bottom view thereof; FIG. 4 is a front view thereof; FIG. 5 is a rear view thereof; FIG. 6 is a right view thereof; FIG. 7 is a left view thereof; and, FIG. 8 is a top, front, and left side perspective view thereof. The broken lines of the Figures illustrate portions of the smart glasses that form no part of the claimed design.

**1 Claim, 8 Drawing Sheets**



(56)

**References Cited**

U.S. PATENT DOCUMENTS

D900,203 S \* 10/2020 Cohen ..... D16/309  
D900,204 S \* 10/2020 Cohen ..... D16/309  
D900,205 S \* 10/2020 Cohen ..... D16/309  
D900,206 S \* 10/2020 Cohen ..... D16/309  
D900,920 S \* 11/2020 Cohen ..... D16/309  
2018/0031836 A1 \* 2/2018 Johnson ..... G02B 27/0176

OTHER PUBLICATIONS

ODG R-7 SmartAR Glasses, posted at businesswire.com, posting date Jun. 9, 2015, [online], [site visited Dec. 13, 2020]. Available from Internet, URL: <https://www.businesswire.com/news/home/20150609005957/en/ODG-Announces-New-R-7-SmartAR-Glasses-for-Enterprise-Customers> (Year: 2015).\*

Vuzix Blade AR Smart Glasses, posted at amazon.com, posting date Jun. 26, 2019, [online], [site visited Dec. 13, 2020]. Available from Internet, URL: <https://www.amazon.com/Vuzix-Glasses-Amazon-Built-Voice-Controls/dp/B07TKBKTH4> (Year: 2019).\*

\* cited by examiner

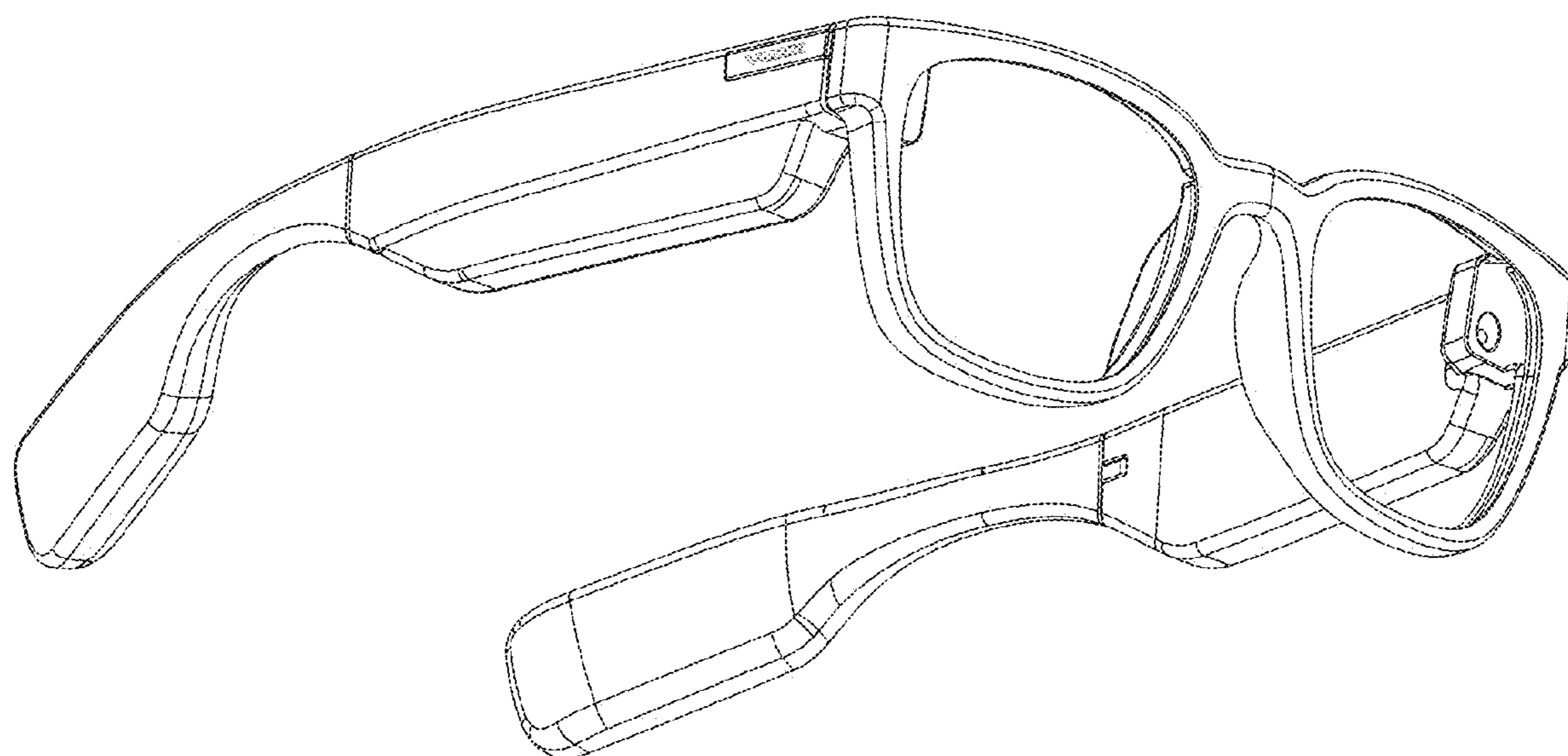


FIG. 1

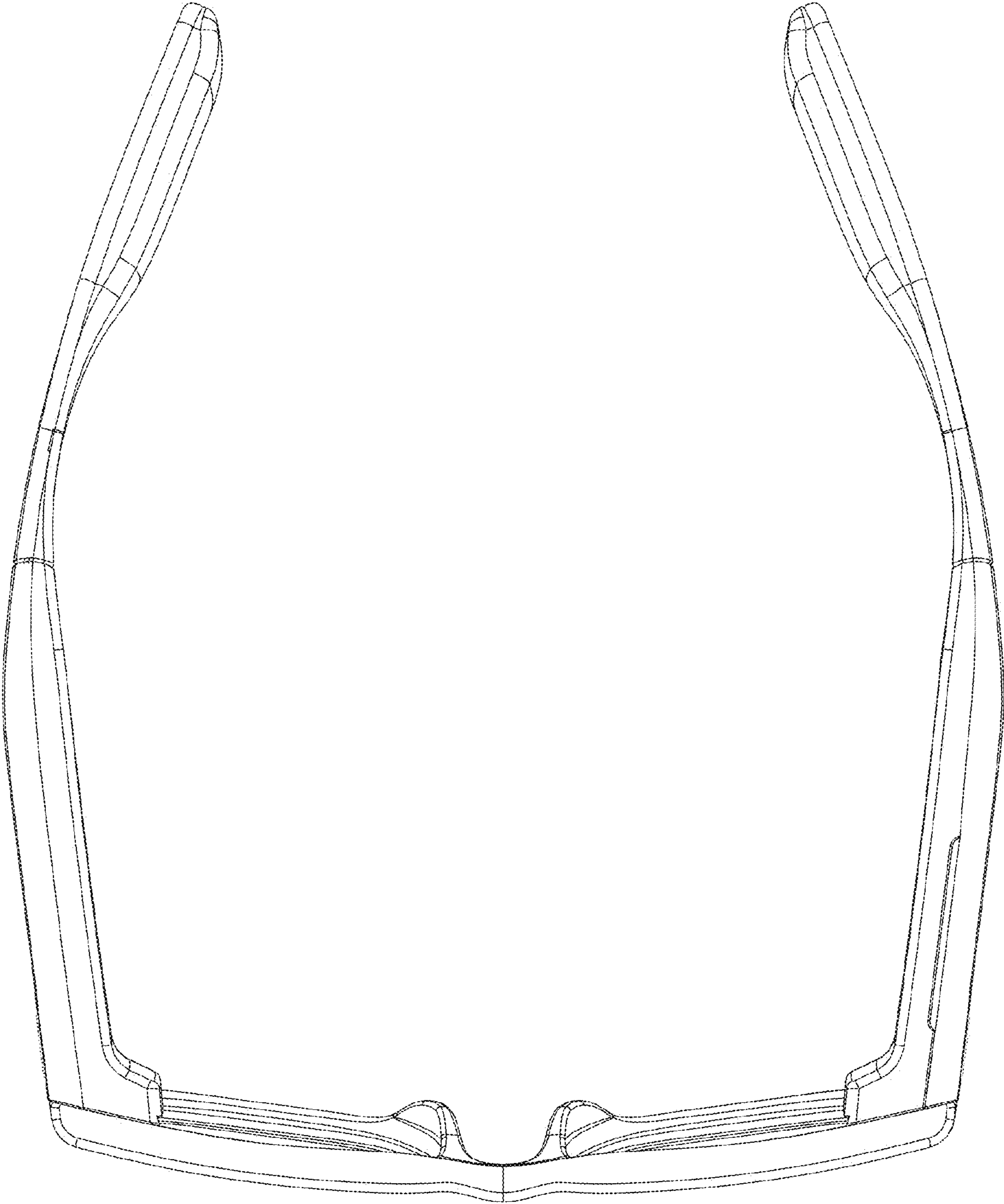


FIG. 2

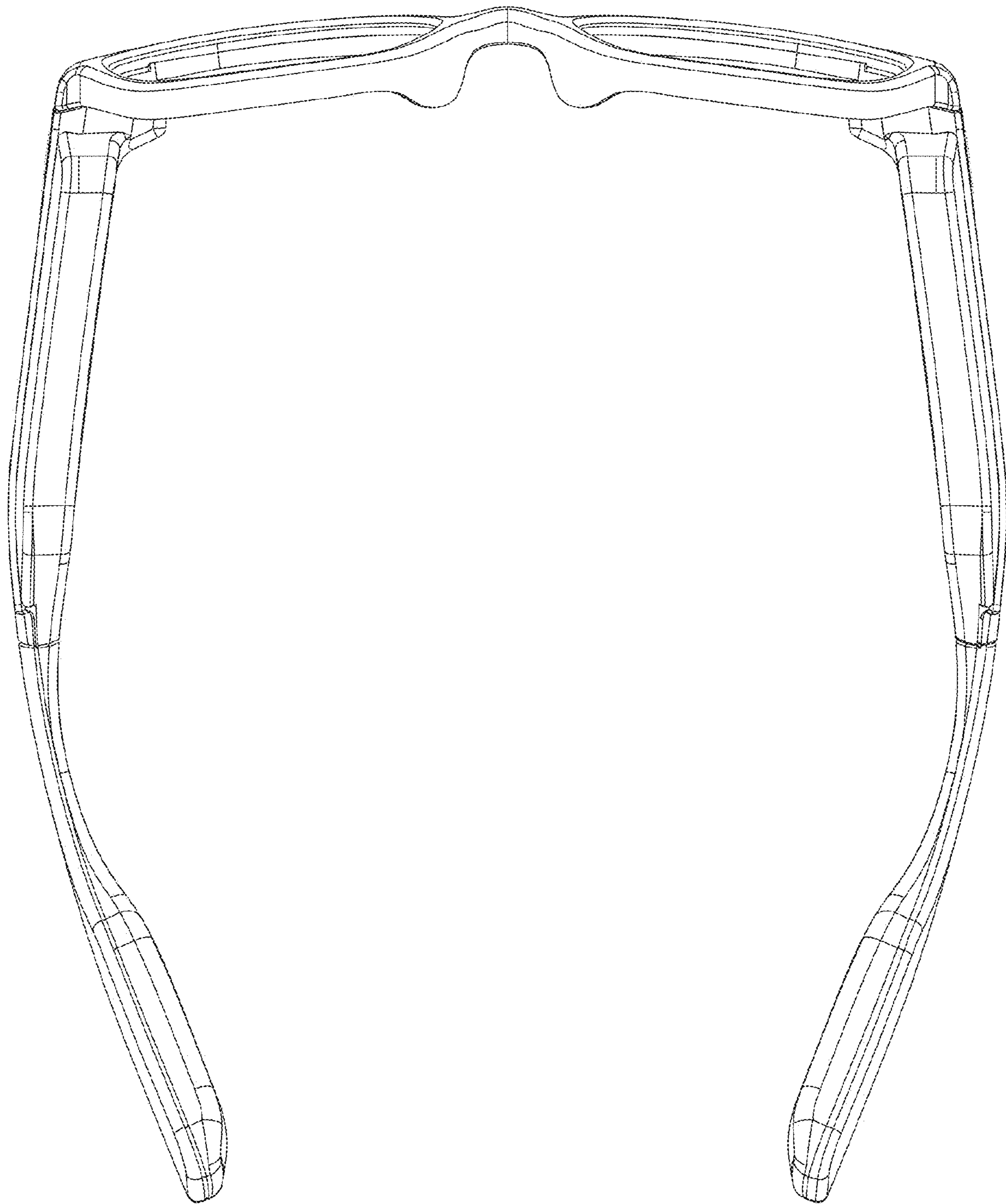


FIG. 3

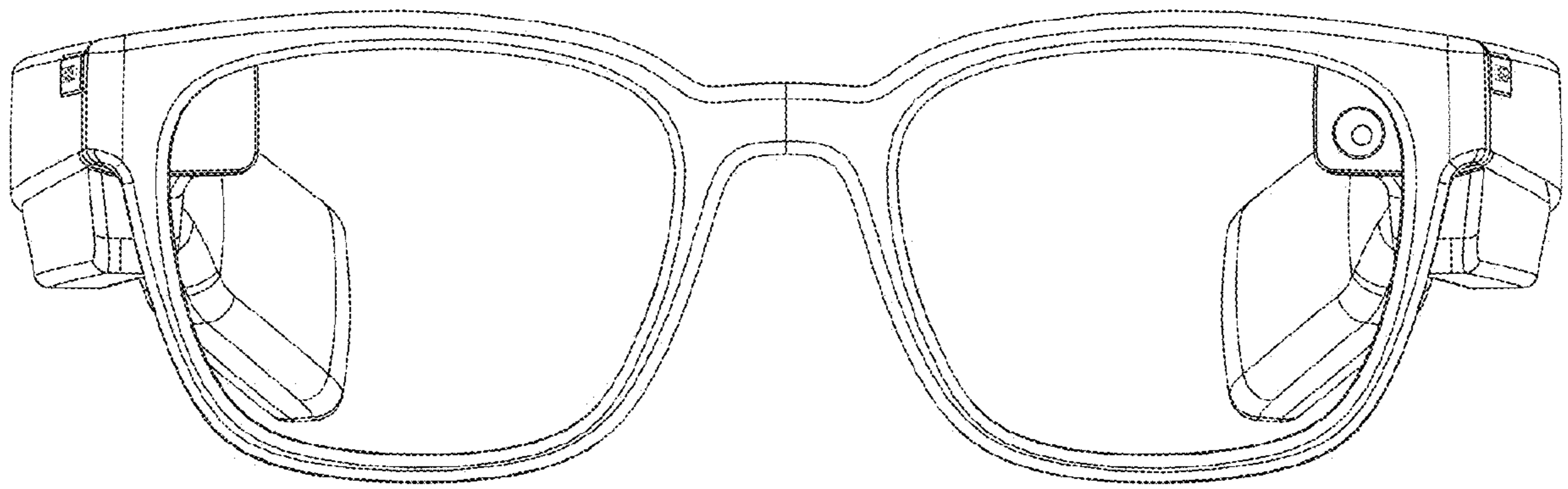


FIG. 4

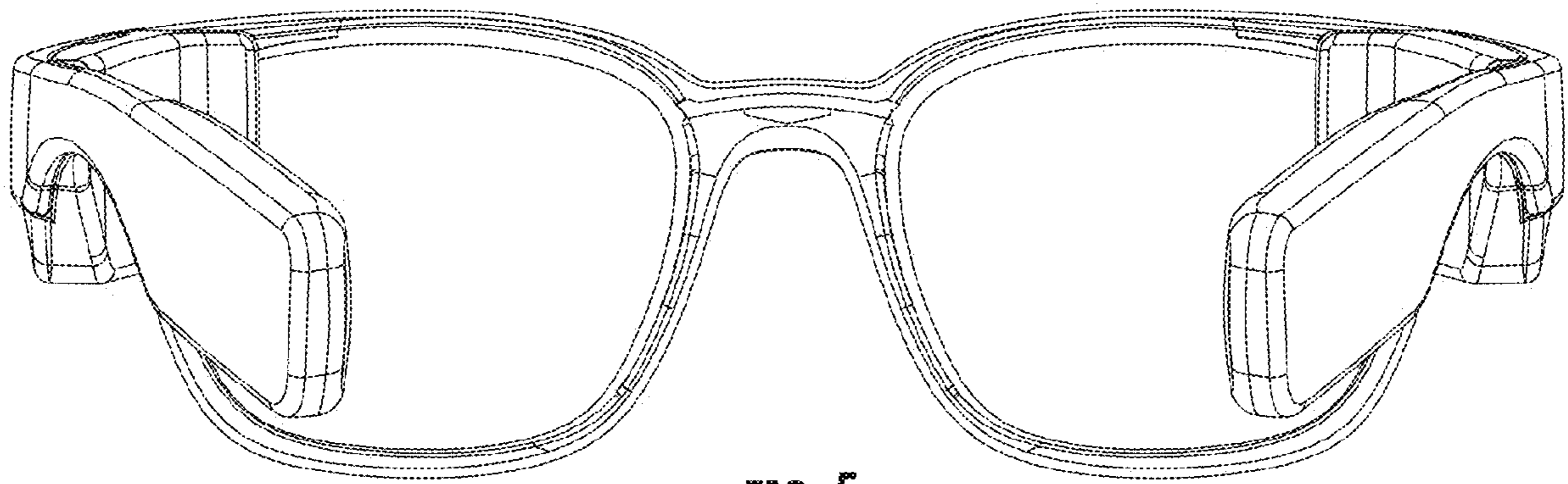


FIG. 5

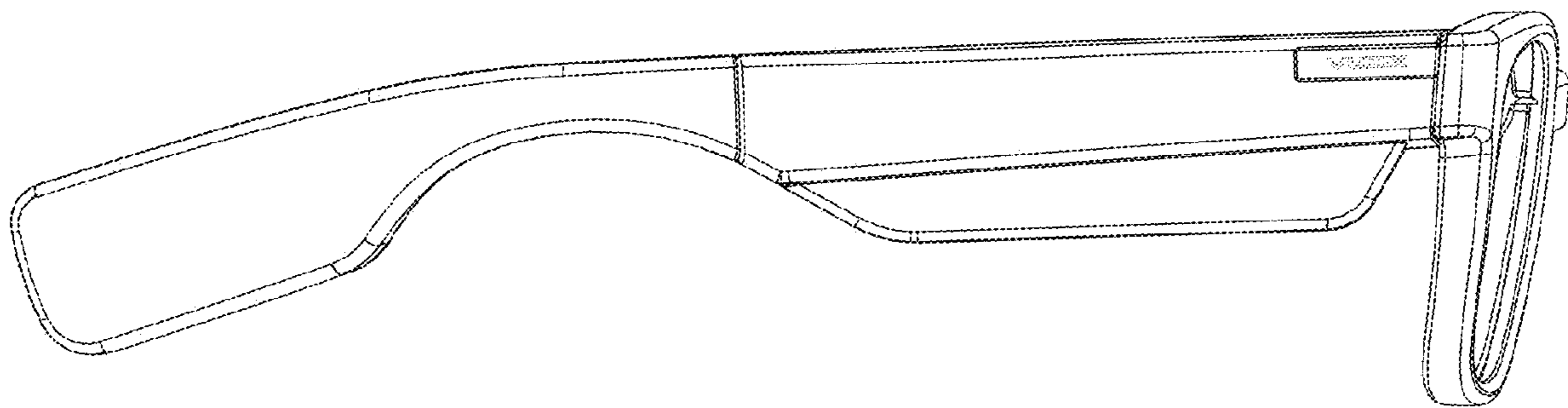


FIG. 6



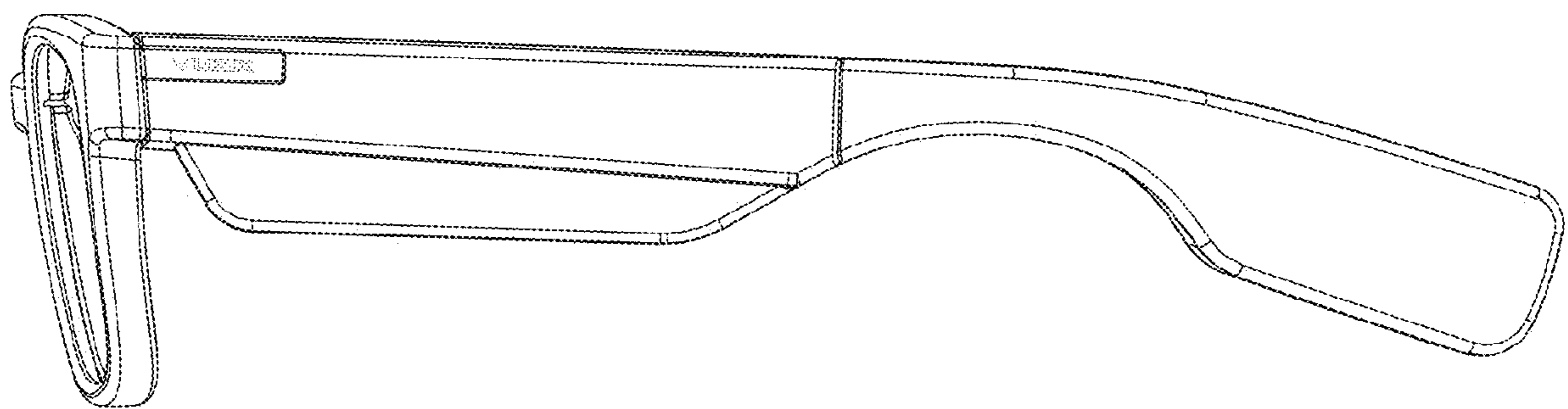


FIG. 7

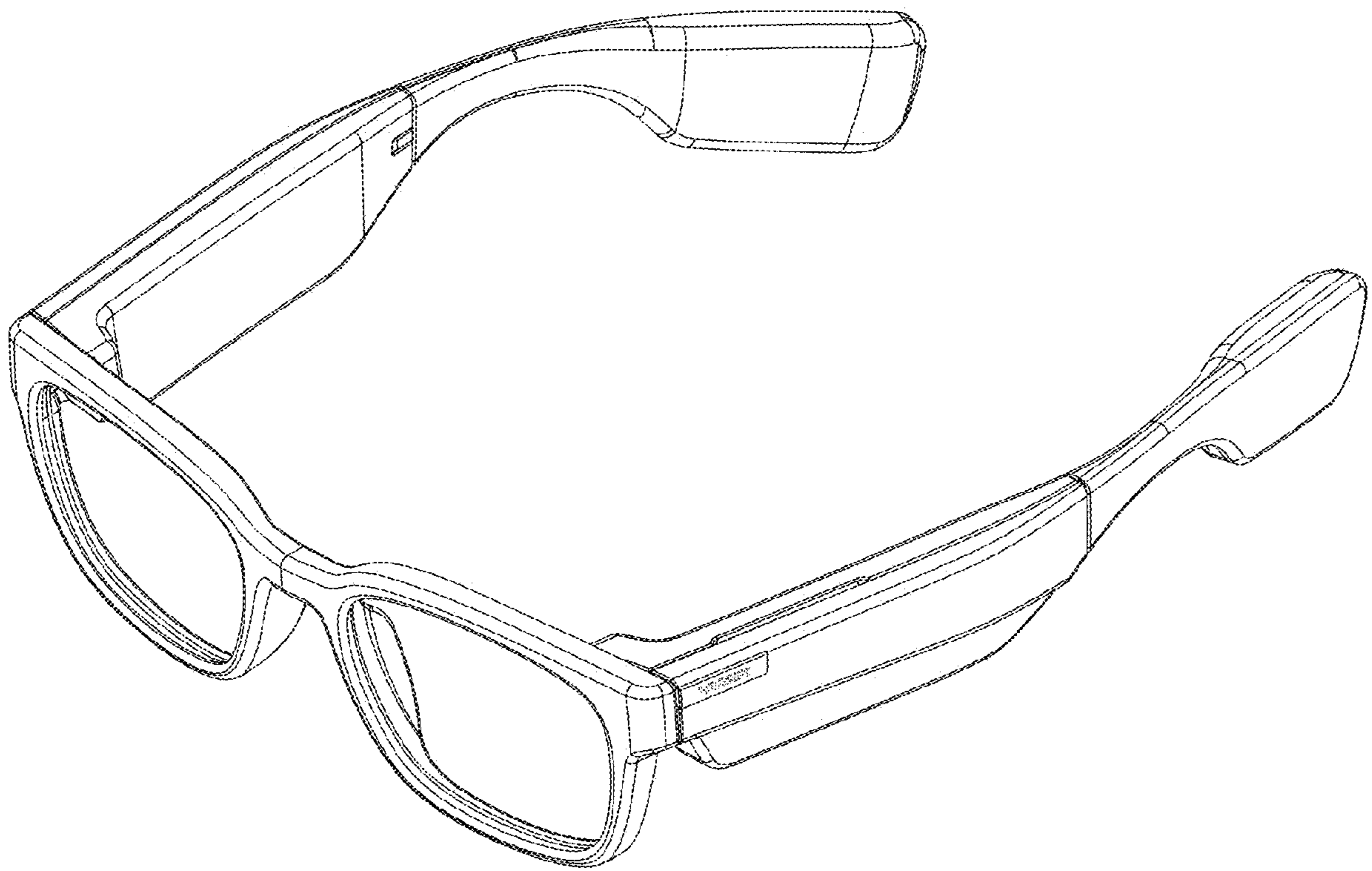


FIG. 8