



US00D949955S

(12) **United States Design Patent** (10) **Patent No.:** **US D949,955 S**  
**Sun** (45) **Date of Patent:** **\*\* Apr. 26, 2022**

(54) **SAFETY GLASSES**  
(71) Applicant: **Wei Sun**, Guangzhou (CN)  
(72) Inventor: **Wei Sun**, Guangzhou (CN)  
(\*\*) Term: **15 Years**

D910,740 S 2/2021 Yang  
D912,128 S 3/2021 Liang  
D913,360 S \* 3/2021 Yang ..... D16/314  
D918,290 S \* 5/2021 Le ..... D16/314  
D920,423 S \* 5/2021 Zhang ..... D16/314  
D925,645 S \* 7/2021 Sheldon ..... D16/315  
D930,065 S \* 9/2021 Yang ..... D16/313  
D934,330 S \* 10/2021 Zhang ..... D16/313

(21) Appl. No.: **29/774,066**  
(22) Filed: **Mar. 13, 2021**  
(51) **LOC (13) Cl.** ..... **16-06**  
(52) **U.S. Cl.**  
USPC ..... **D16/312**  
(58) **Field of Classification Search**  
USPC ..... D16/100, 101, 300, 303, 309, 310, 311,  
D16/313-315, 321, 335, 336  
See application file for complete search history.

**OTHER PUBLICATIONS**

Google search: "safety glasses" [site visited Jan. 1, 2022]: [https://www.google.com/search?q=safety+glasses&sxsrf=AOaemv19mDo5XfXpqeJrm6hDSmeddmwY-A:1641069497155&source=Inms&tbm=isch&sa=X&ved=2ahUKEwiAvLejtJH1AhWUIXIEHQdEDT8Q\\_AUoAnoECACQBA&biw=1200&bih=1777&dpr=1](https://www.google.com/search?q=safety+glasses&sxsrf=AOaemv19mDo5XfXpqeJrm6hDSmeddmwY-A:1641069497155&source=Inms&tbm=isch&sa=X&ved=2ahUKEwiAvLejtJH1AhWUIXIEHQdEDT8Q_AUoAnoECACQBA&biw=1200&bih=1777&dpr=1) (Year: 2022).\*

\* cited by examiner

*Primary Examiner* — Sanjeev Paul  
(74) *Attorney, Agent, or Firm* — Xiaofang Zhong; Law Office of Xiaofang Zhong, PLLC

(56) **References Cited**  
U.S. PATENT DOCUMENTS

D334,758 S 4/1993 Reymondet et al.  
D462,081 S 8/2002 Wolfe  
D535,317 S 1/2007 Wolfe  
D536,026 S 1/2007 Bruck  
D551,282 S 9/2007 Stanley  
D602,977 S 10/2009 Falvo  
D615,578 S 5/2010 Pulito et al.  
D673,599 S \* 1/2013 Earley ..... D16/315  
D701,262 S 3/2014 Nadler  
D719,210 S 12/2014 Votel et al.  
D720,798 S 1/2015 Lee et al.  
D778,339 S \* 2/2017 Yoo ..... D16/313  
D811,468 S \* 2/2018 Yang ..... D16/315  
D815,185 S 4/2018 Owens  
D873,901 S 1/2020 Zhang  
D878,454 S 3/2020 Boinnard et al.  
D879,190 S \* 3/2020 Thixton ..... D16/335  
D880,575 S \* 4/2020 Thixton ..... D16/315  
D901,580 S 11/2020 Zhang  
D903,749 S \* 12/2020 Li ..... D16/314  
D904,503 S 12/2020 Lee et al.

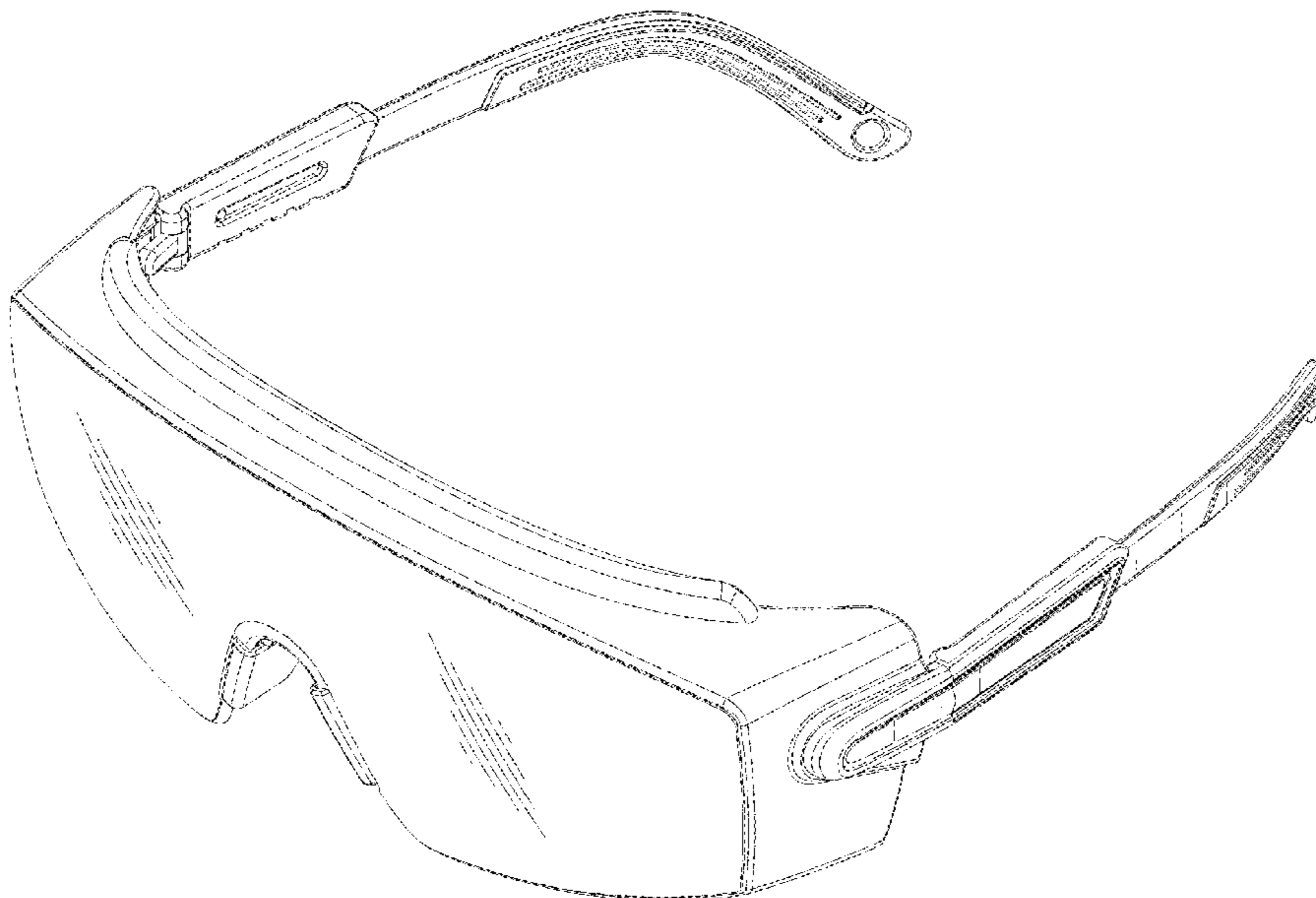
(57) **CLAIM**

The ornamental design for safety glasses, as shown and described.

**DESCRIPTION**

FIG. 1 is a perspective view of safety glasses showing my new design;  
FIG. 2 is a front elevational view thereof;  
FIG. 3 is a back elevational view thereof;  
FIG. 4 is a right-side elevational view thereof;  
FIG. 5 is a left-side elevational view thereof;  
FIG. 6 is a top plan view thereof; and,  
FIG. 7 is a bottom plan view thereof.  
The broken lines in the drawings depict part of the safety glasses that form no part of the claimed design.

**1 Claim, 7 Drawing Sheets**



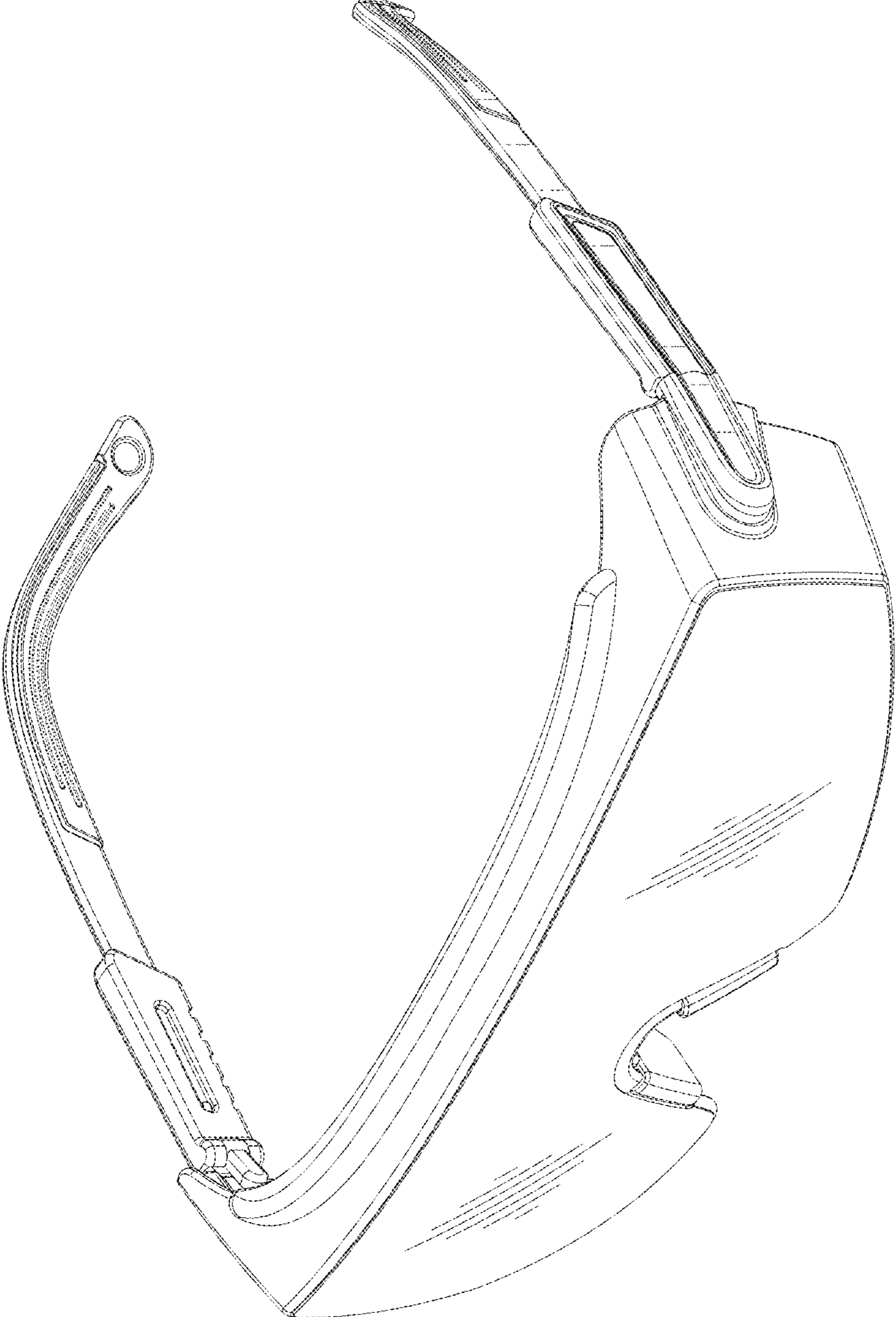


FIG. 1

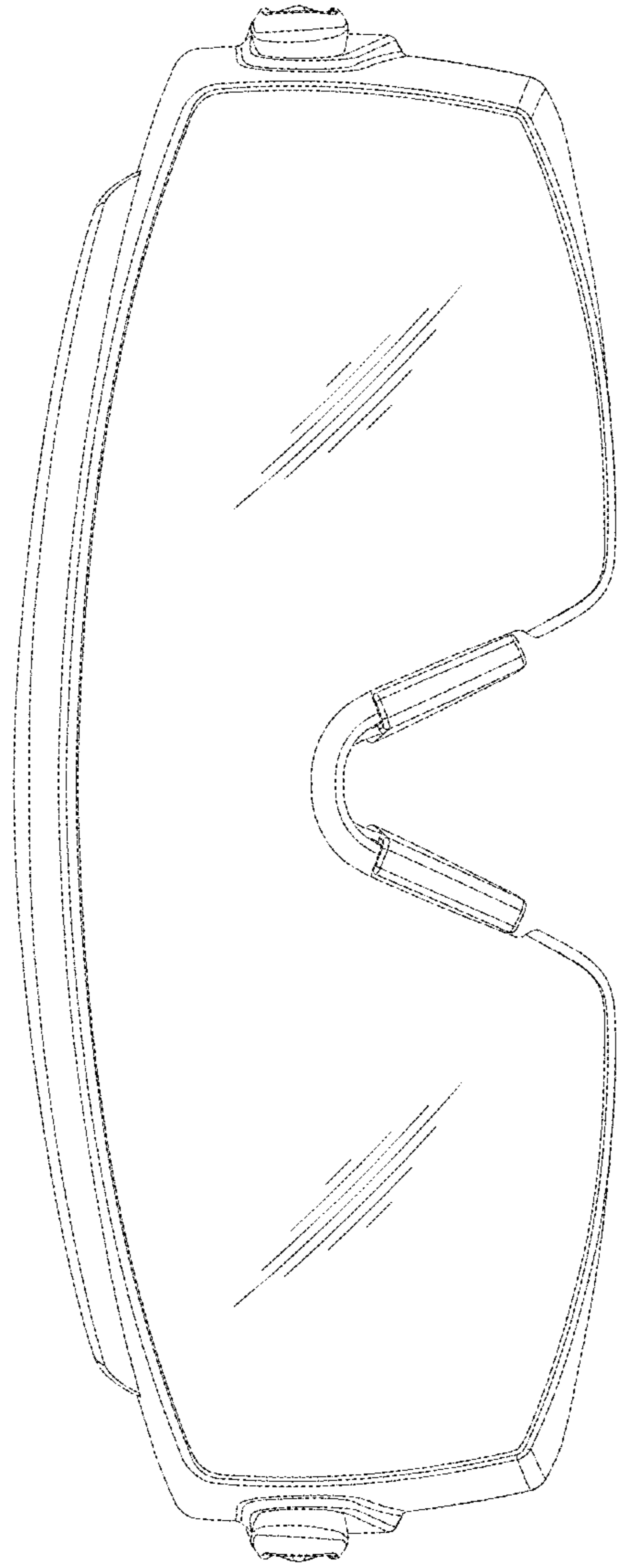


FIG. 2

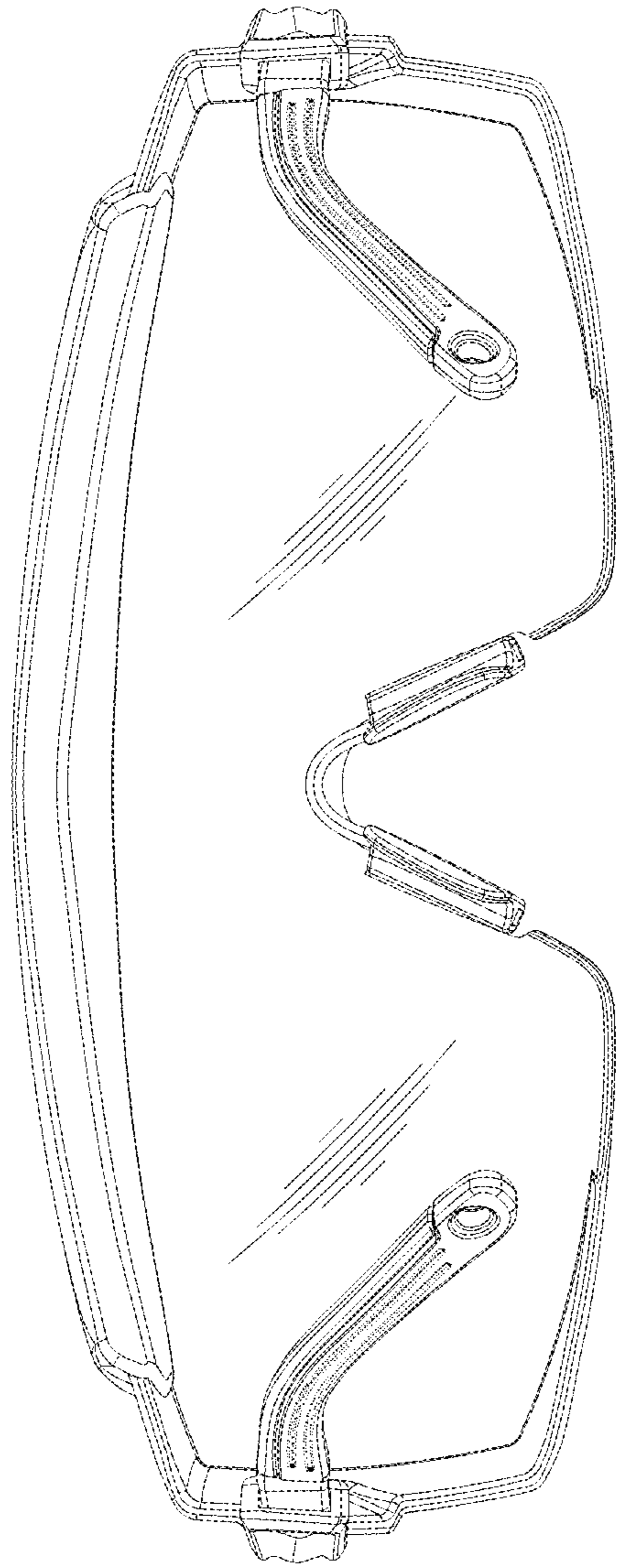


FIG. 3

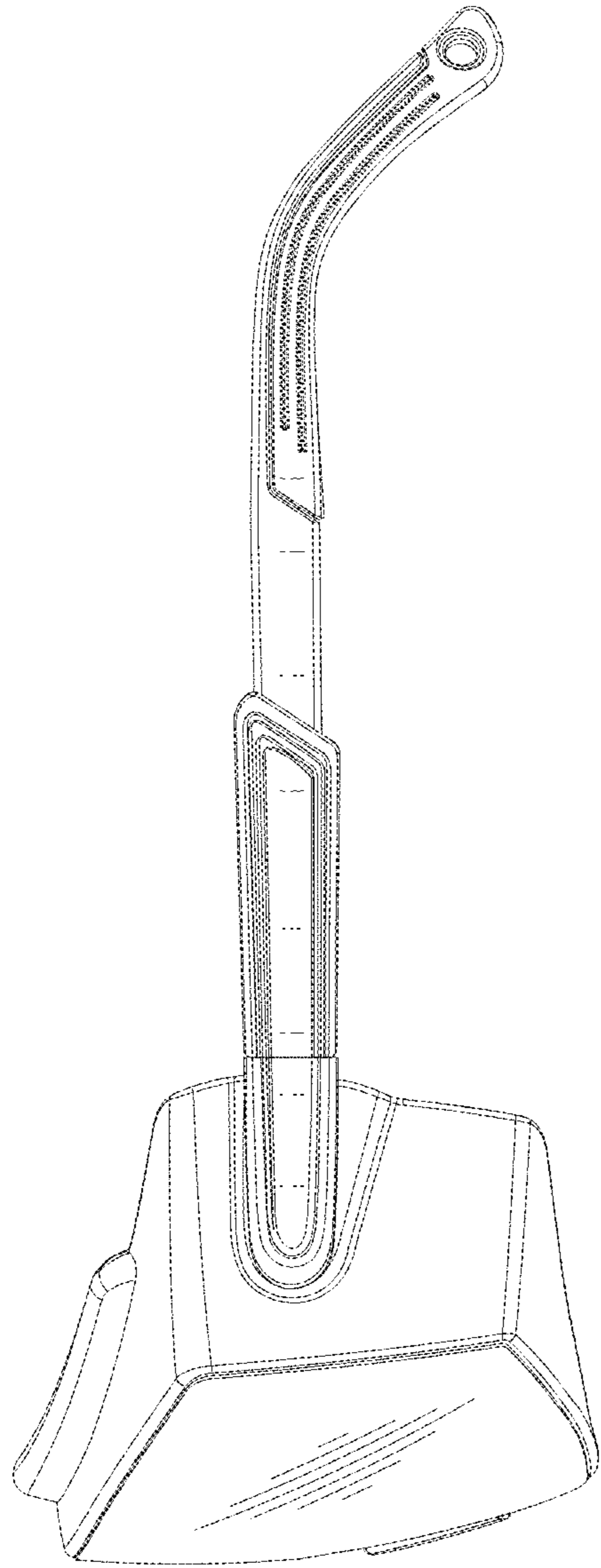


FIG. 4

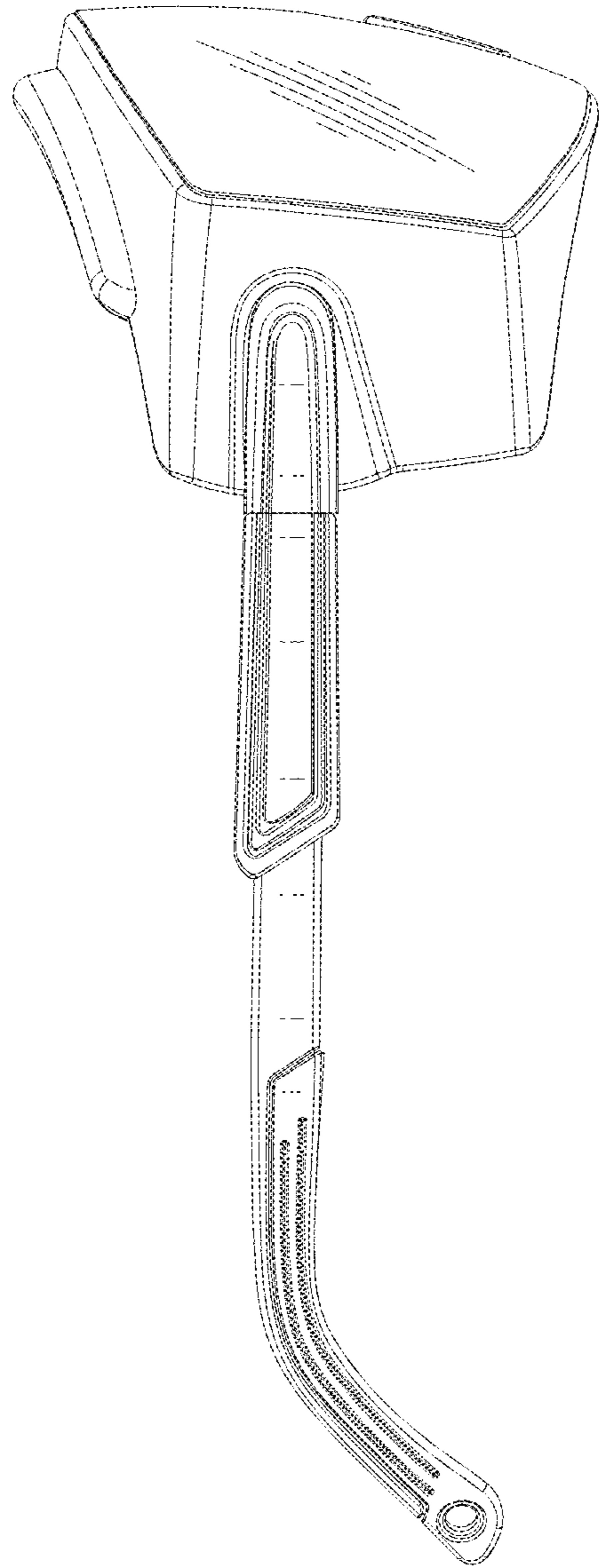


FIG. 5

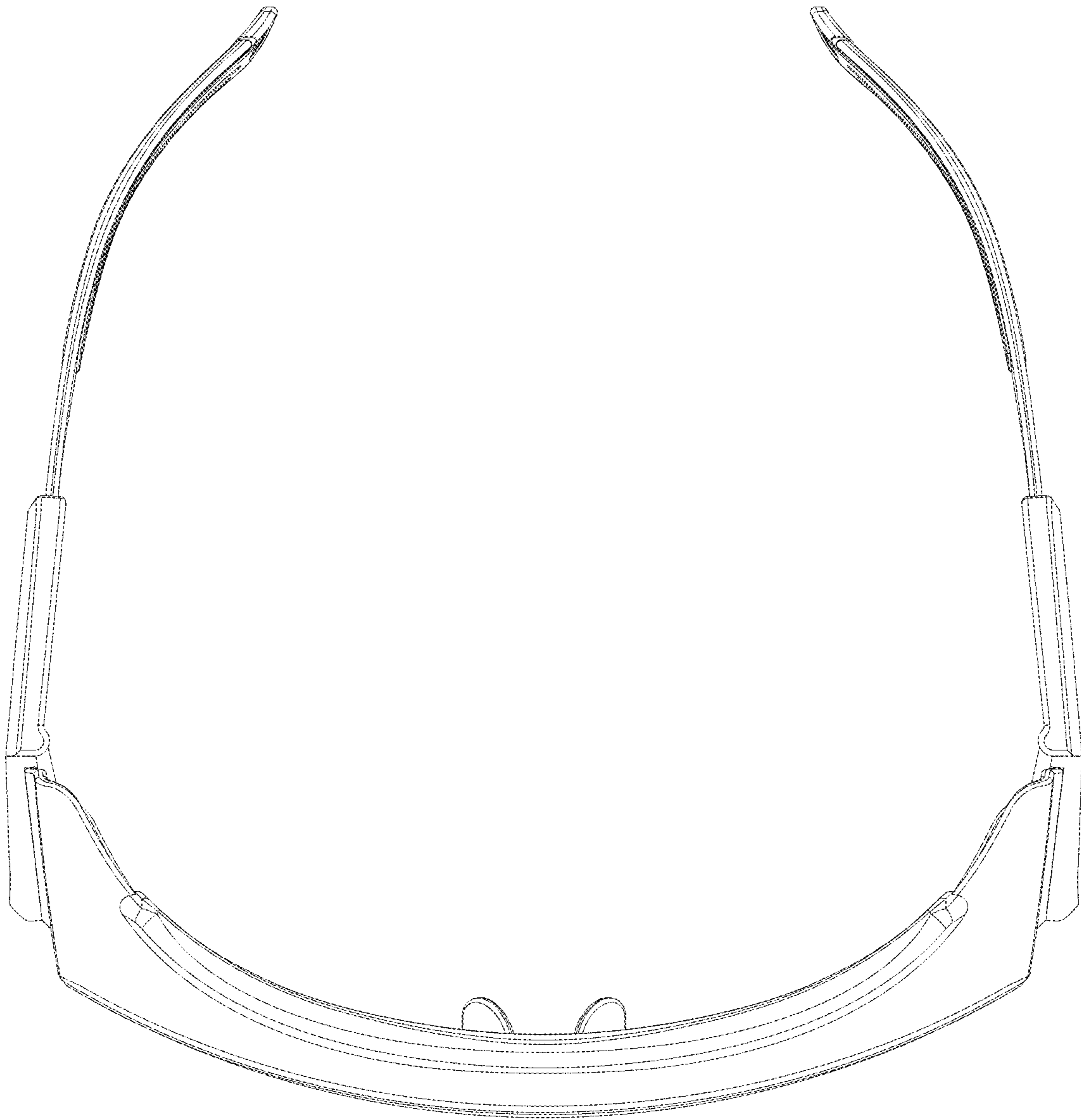


FIG. 6

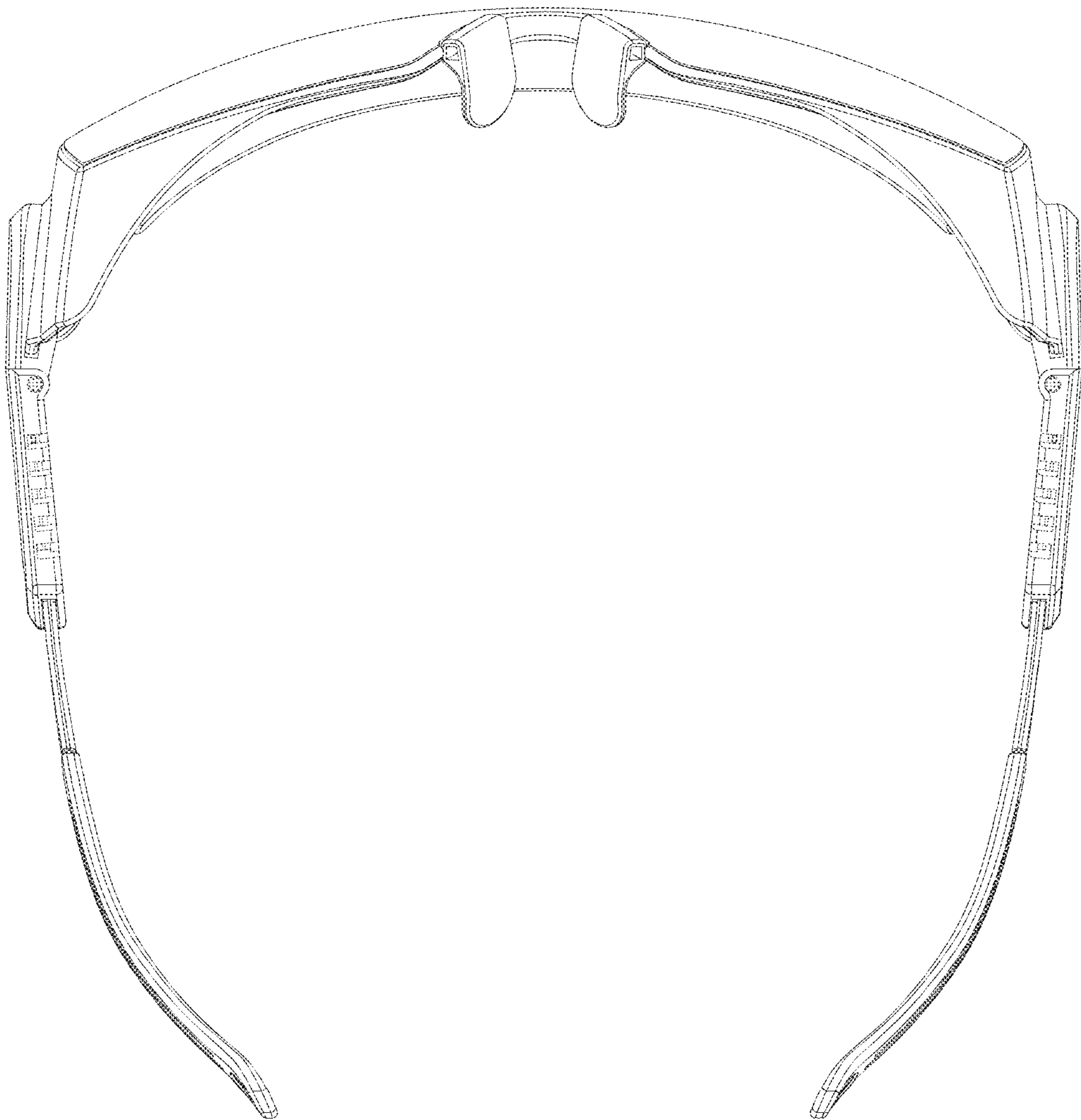


FIG. 7