

US00D949953S

(12) **United States Design Patent**
Davis

(10) **Patent No.:** **US D949,953 S**

(45) **Date of Patent:** **** Apr. 26, 2022**

(54) **PIVOTING CAMERA MOUNT**

(71) Applicant: **John Matthew Davis**, Alhambra, CA (US)

(72) Inventor: **John Matthew Davis**, Alhambra, CA (US)

(**) Term: **15 Years**

(21) Appl. No.: **29/693,103**

(22) Filed: **May 30, 2019**

(51) **LOC (13) Cl.** **16-05**

(52) **U.S. Cl.**
USPC **D16/242**

(58) **Field of Classification Search**
USPC D16/219, 237, 242–245; D8/354, 355,
D8/363, 373, 382; D14/224, 229, 238,
D14/251, 253, 447, 451, 457
CPC .. F16M 11/06–10; F16M 11/14; G03B 17/56;
G03B 17/561–566
See application file for complete search history.

(56) **References Cited**

U.S. PATENT DOCUMENTS

D356,641 S *	3/1995	Stewart	D24/176
7,090,416 B2 *	8/2006	Mootz	G03B 17/563 396/421
D539,127 S *	3/2007	Ly Hau	D8/373
D566,530 S *	4/2008	Brassard	D8/363
D611,480 S *	3/2010	Hau	D14/452
D640,675 S *	6/2011	Molter	D14/239
D649,576 S *	11/2011	Jannard	D16/242
D677,309 S *	3/2013	Asano	D16/243
D763,007 S *	8/2016	Pace	D6/407
D763,008 S *	8/2016	Pace	D6/407
D775,135 S *	12/2016	Pace	D14/451
9,904,147 B2 *	2/2018	Zhao	F16M 13/022

(Continued)

OTHER PUBLICATIONS

Proaim Airwave V15 Camera Vibration Isolator Arm (33 to 110 lb)[online] Retrieved Sep. 9, 2020 from URL: <https://www.proaim.com/>

bhphotovideo.. com/c/product/1547686-REG/proaim_vi_arwv_15_airwave_v15_camera_vibration.html/?ap=y&ap=y&smp=y&smp=y&ls%E2%80%A6.*

Primary Examiner — Vy N Koenig
(74) *Attorney, Agent, or Firm* — Pacifica IP

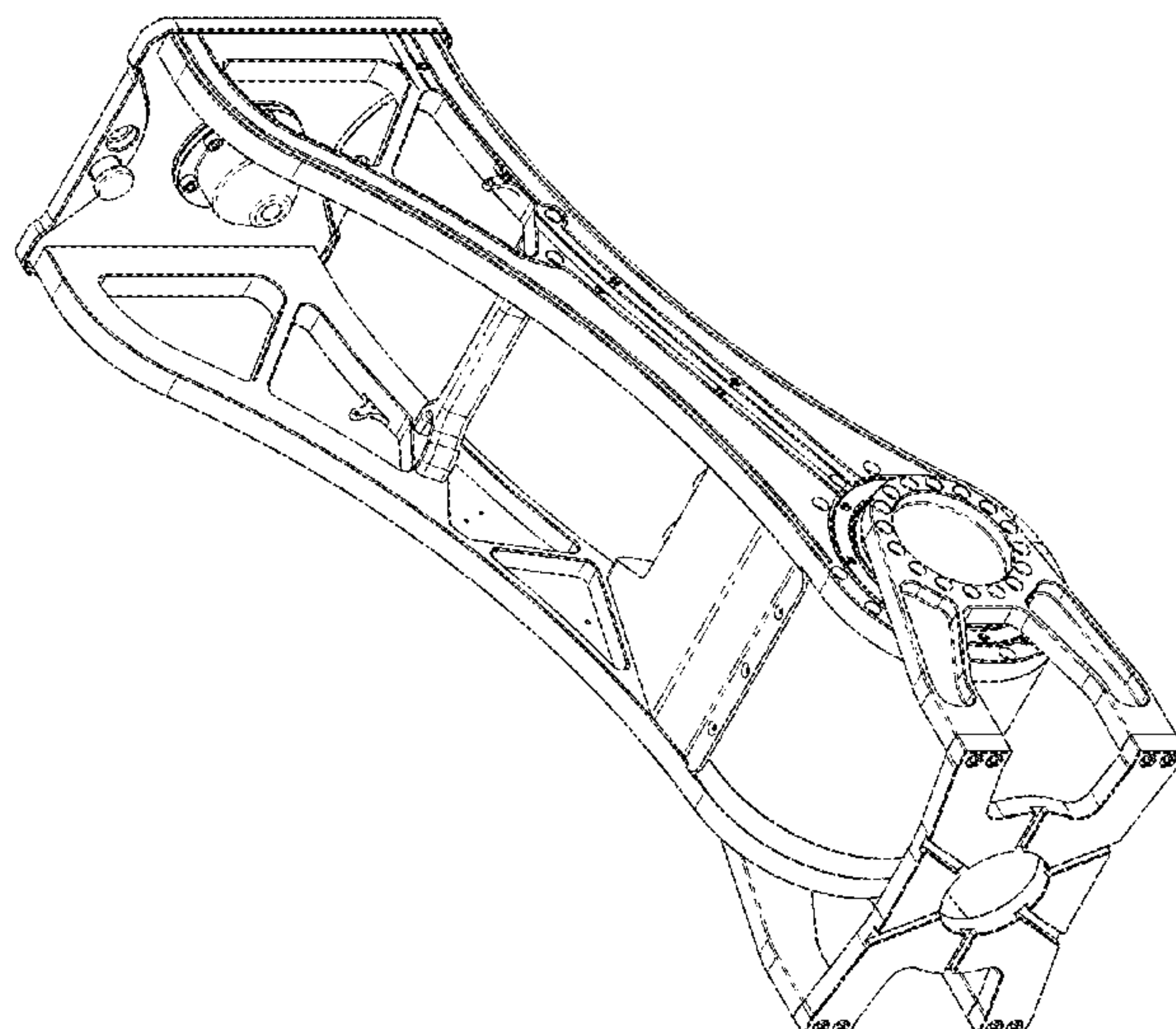
(57) **CLAIM**

The ornamental design for a pivoting camera mount, as shown and described.

DESCRIPTION

FIG. 1 shows a perspective view of a pivoting camera mount showing my new design in a first position;
FIG. 2 shows a right elevation view of FIG. 1;
FIG. 3 shows a left elevation view of FIG. 1;
FIG. 4 shows a front elevation view of FIG. 1;
FIG. 5 shows a rear elevation view side view of FIG. 1;
FIG. 6 shows a top plan view of FIG. 1;
FIG. 7 shows a bottom plan view of FIG. 1;
FIG. 8 shows a perspective view of a pivoting camera mount showing my new design in a second position;
FIG. 9 shows a right elevation view of FIG. 8;
FIG. 10 shows a left elevation view of FIG. 8;
FIG. 11 shows a front elevation view of FIG. 8;
FIG. 12 shows a rear elevation view side view of FIG. 8;
FIG. 13 shows a top plan view of FIG. 8;
FIG. 14 shows a bottom plan view of FIG. 8;
FIG. 15 shows a perspective view of a pivoting camera mount showing my new design in a third position;
FIG. 16 shows a right elevation view of FIG. 15;
FIG. 17 shows a left elevation view of FIG. 15;
FIG. 18 shows a front elevation view of FIG. 15;
FIG. 19 shows a rear elevation view side view of FIG. 15;
FIG. 20 shows a top plan view of FIG. 15; and,
FIG. 21 shows a bottom plan view of FIG. 15.
The evenly spaced broken lines shown in the drawings depict features of the pivoting camera mount that form no part of the claimed design.

1 Claim, 21 Drawing Sheets



(56)

References Cited

U.S. PATENT DOCUMENTS

D880,567 S * 4/2020 Zhang D16/237
D891,909 S * 8/2020 Xiang D8/363
2014/0037278 A1* 2/2014 Wang H04N 5/2328
396/55
2016/0201847 A1* 7/2016 Firchau F16M 11/24
224/567

* cited by examiner

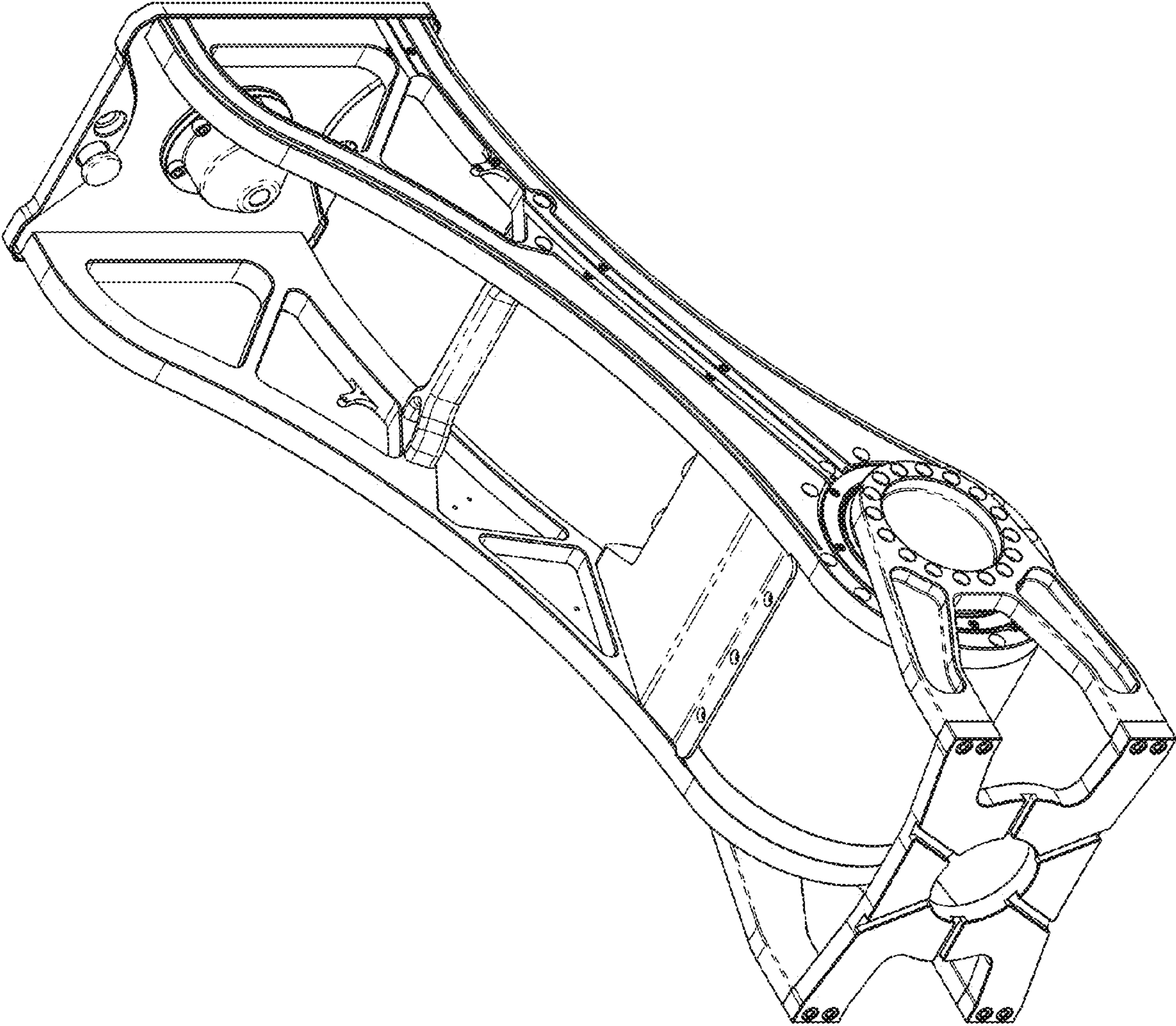


FIG. 1

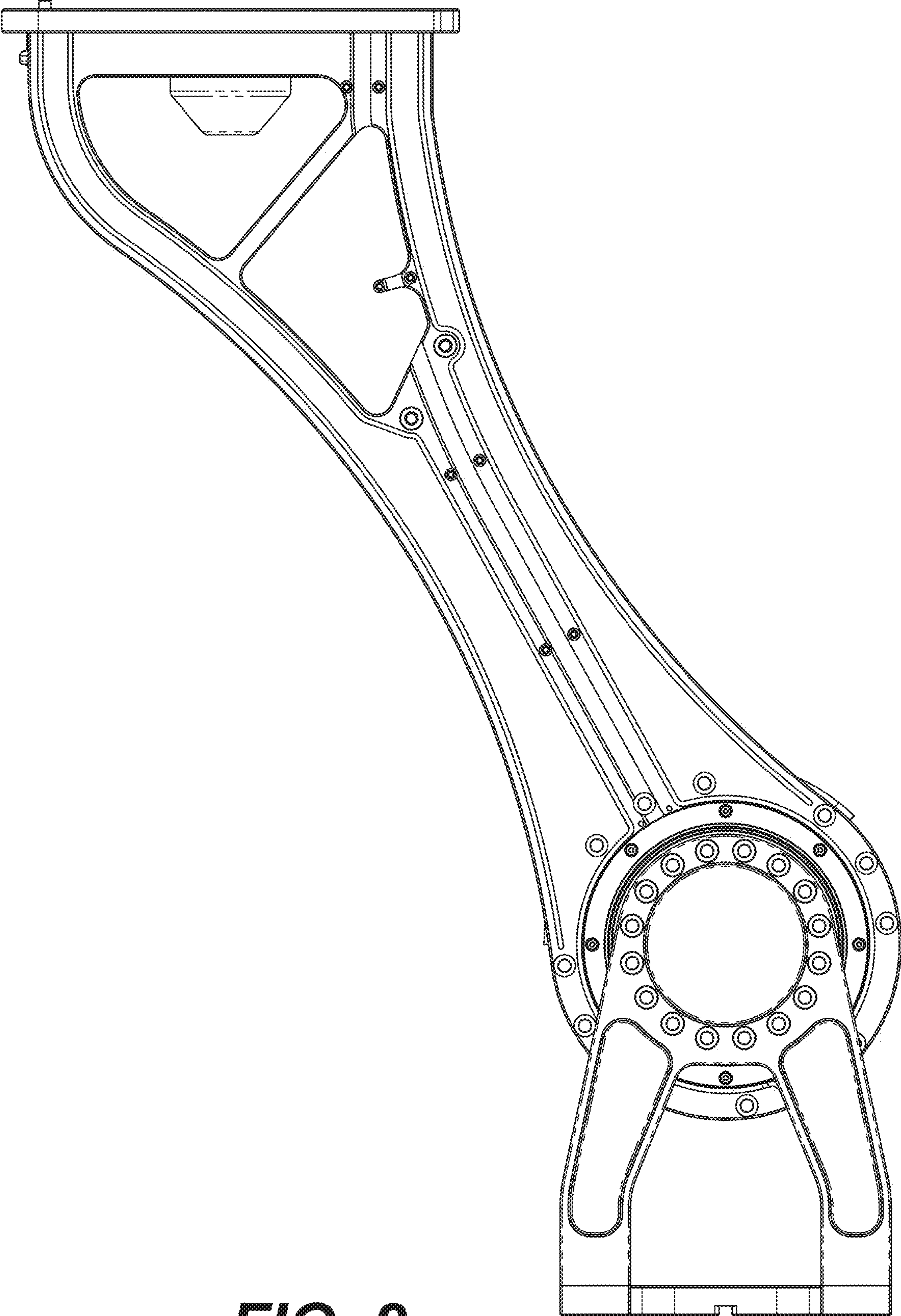


FIG. 2

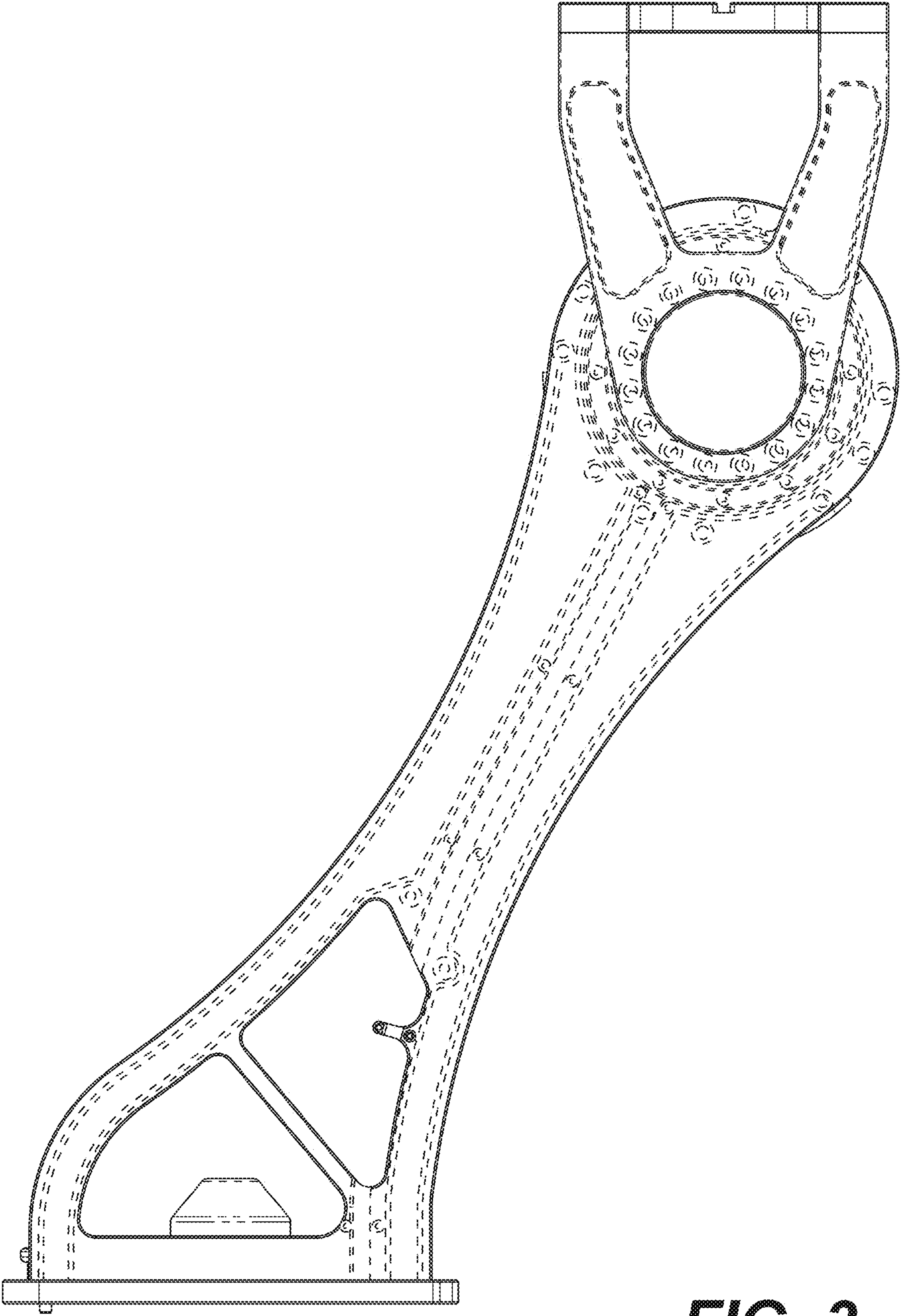


FIG. 3

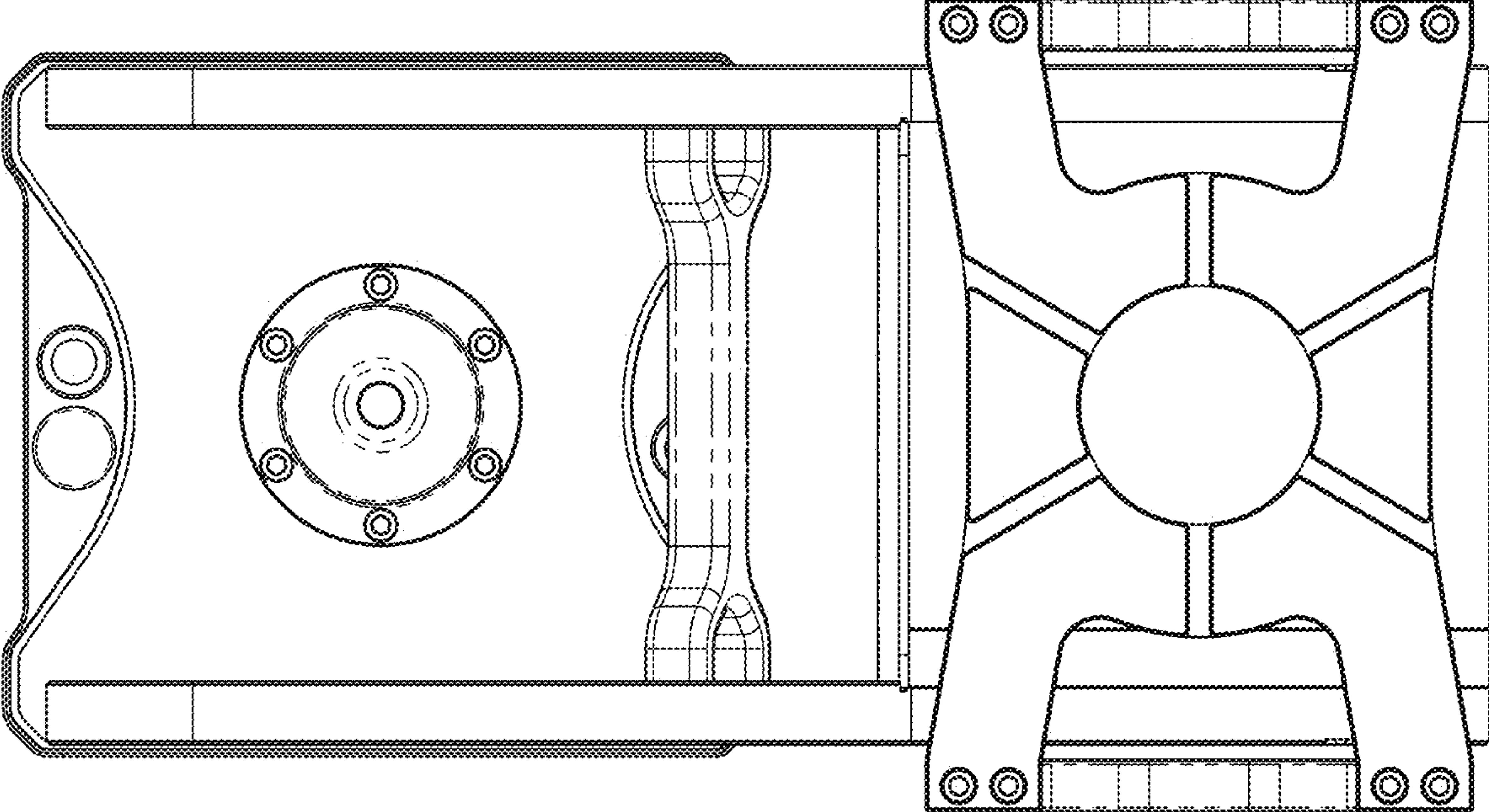


FIG. 4

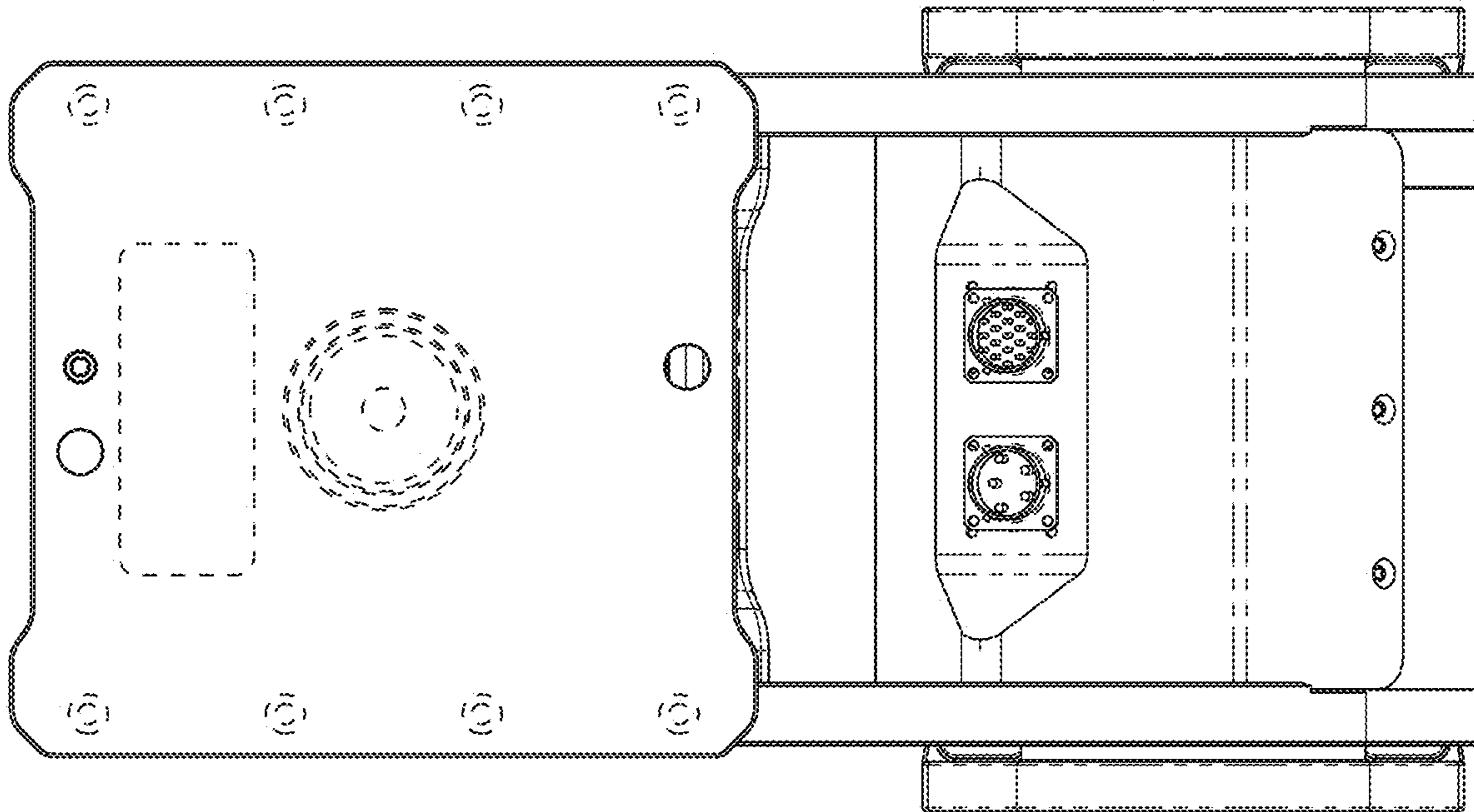


FIG. 5

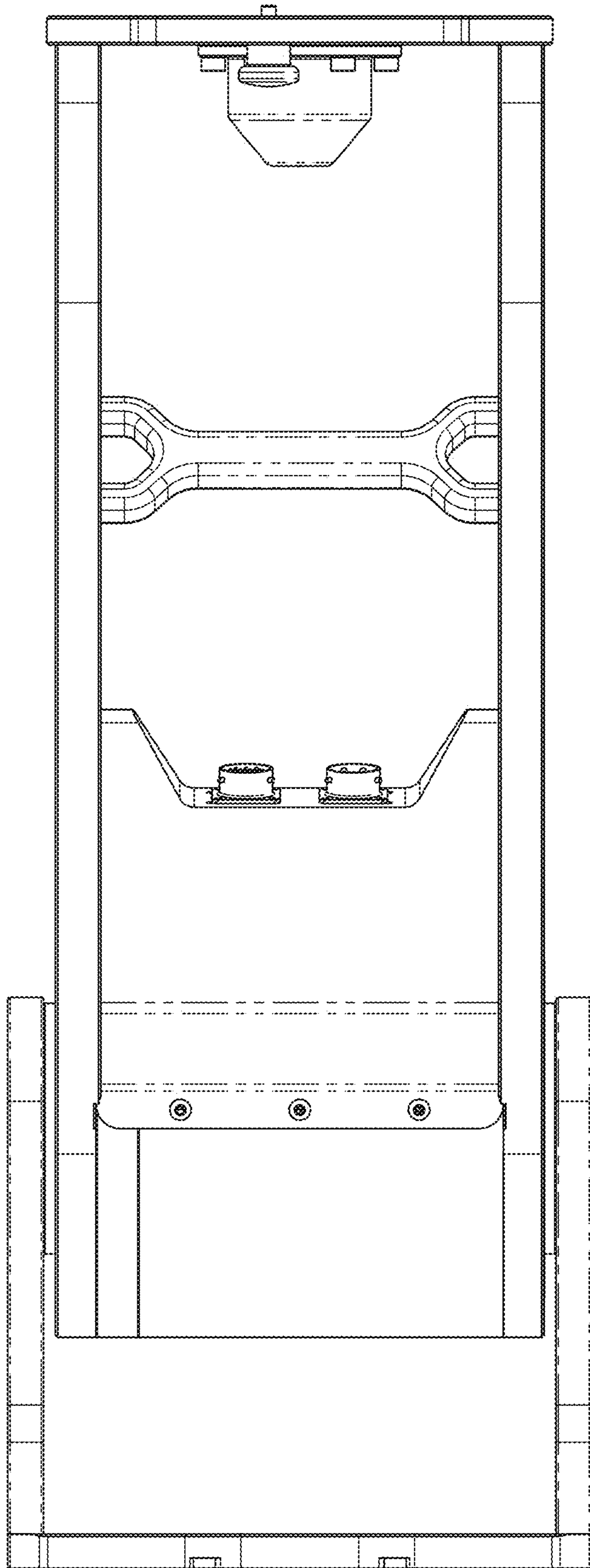


FIG. 6

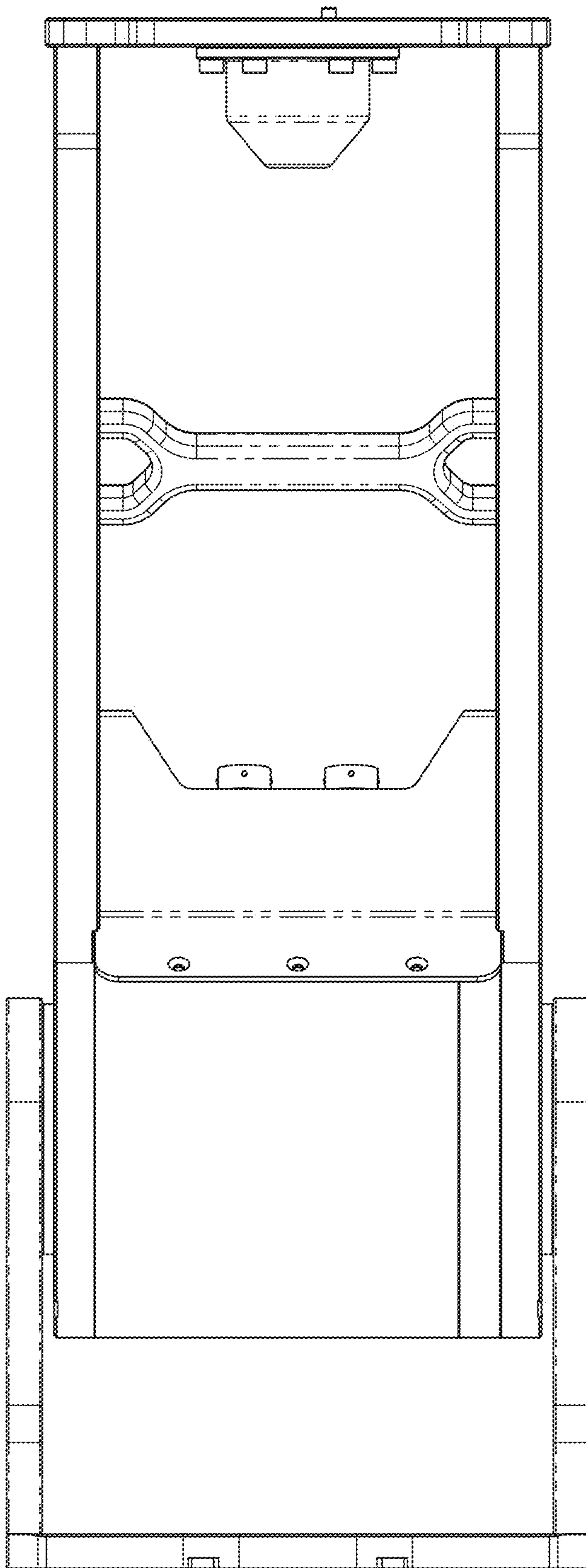


FIG. 7

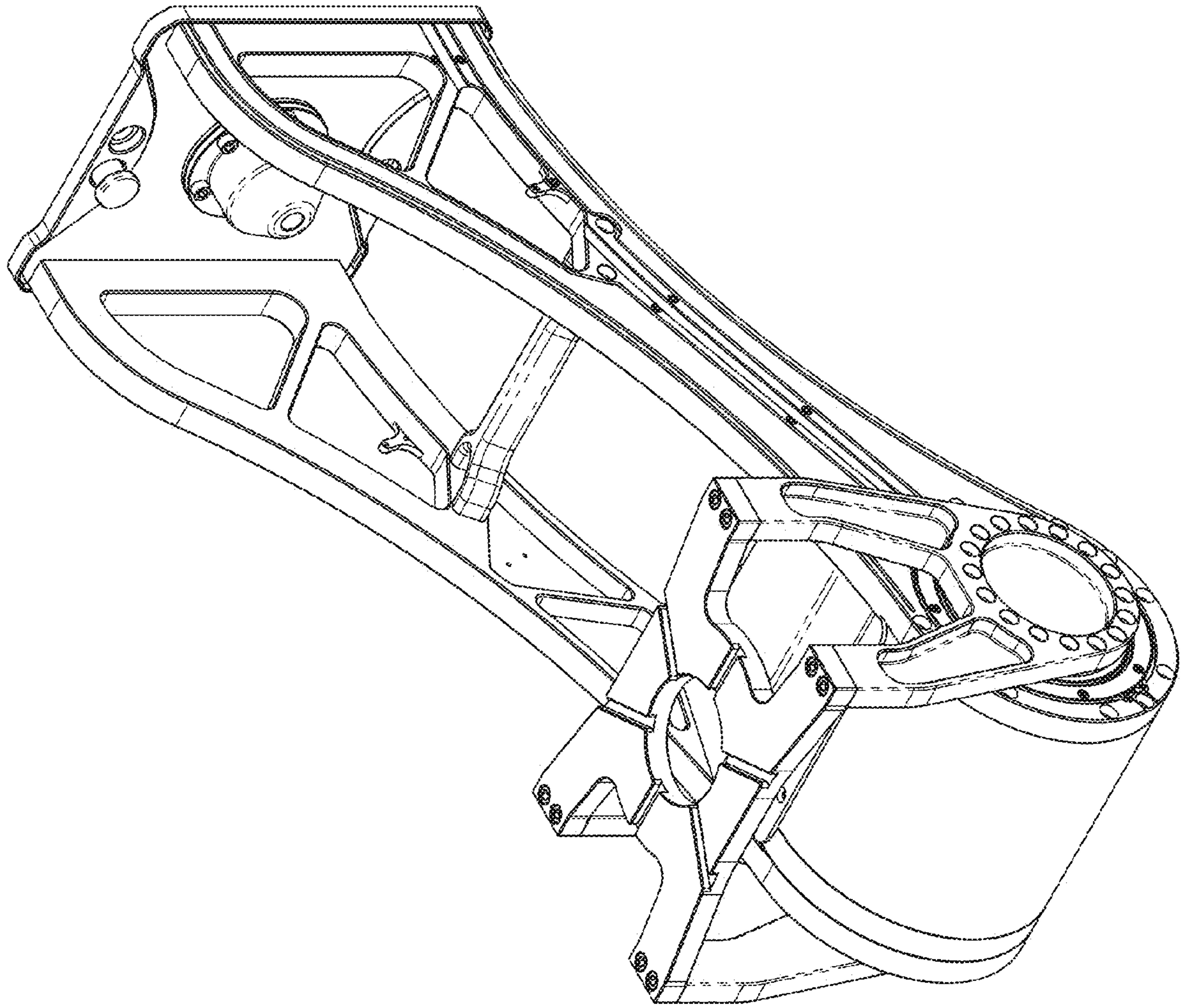


FIG. 8

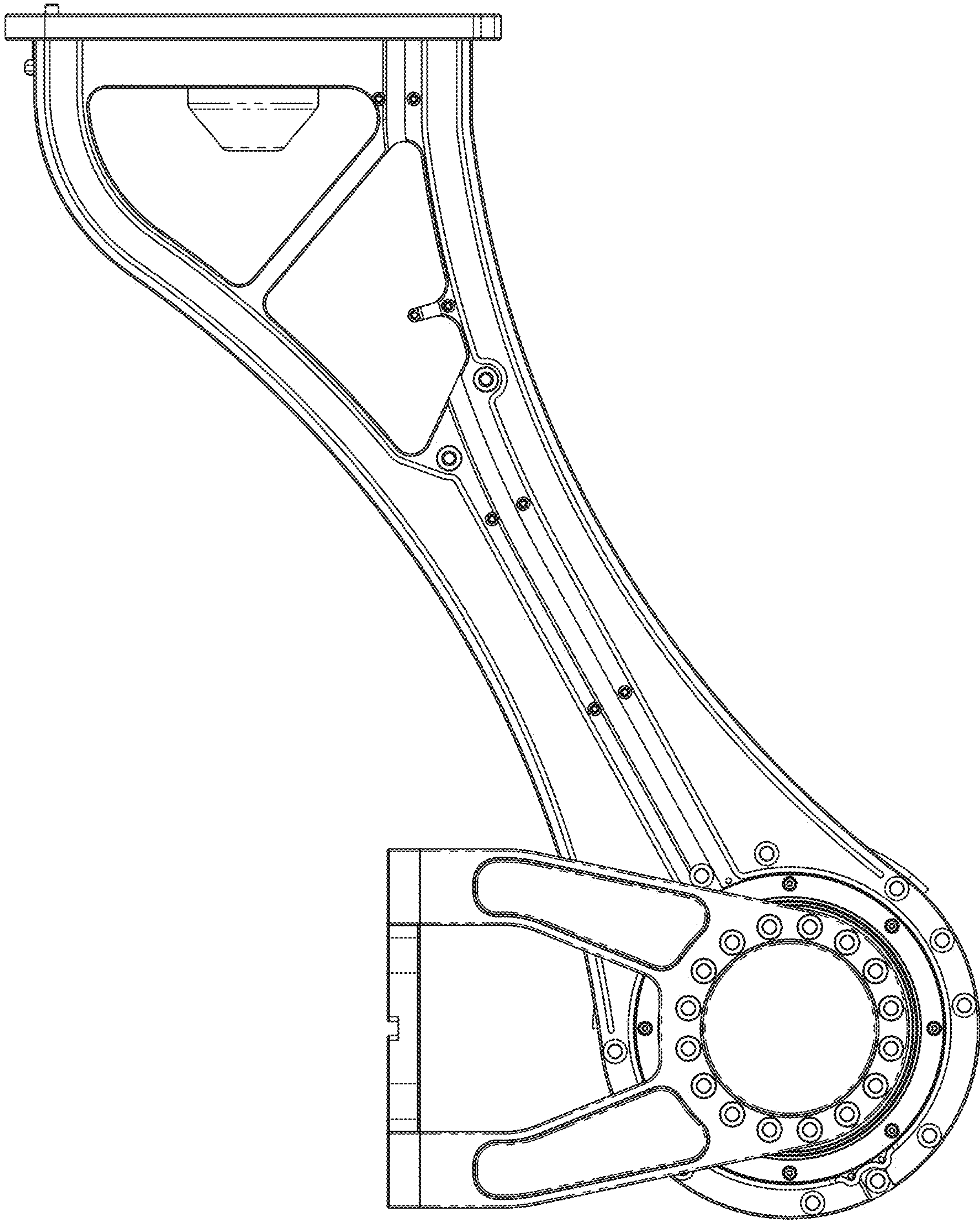


FIG. 9

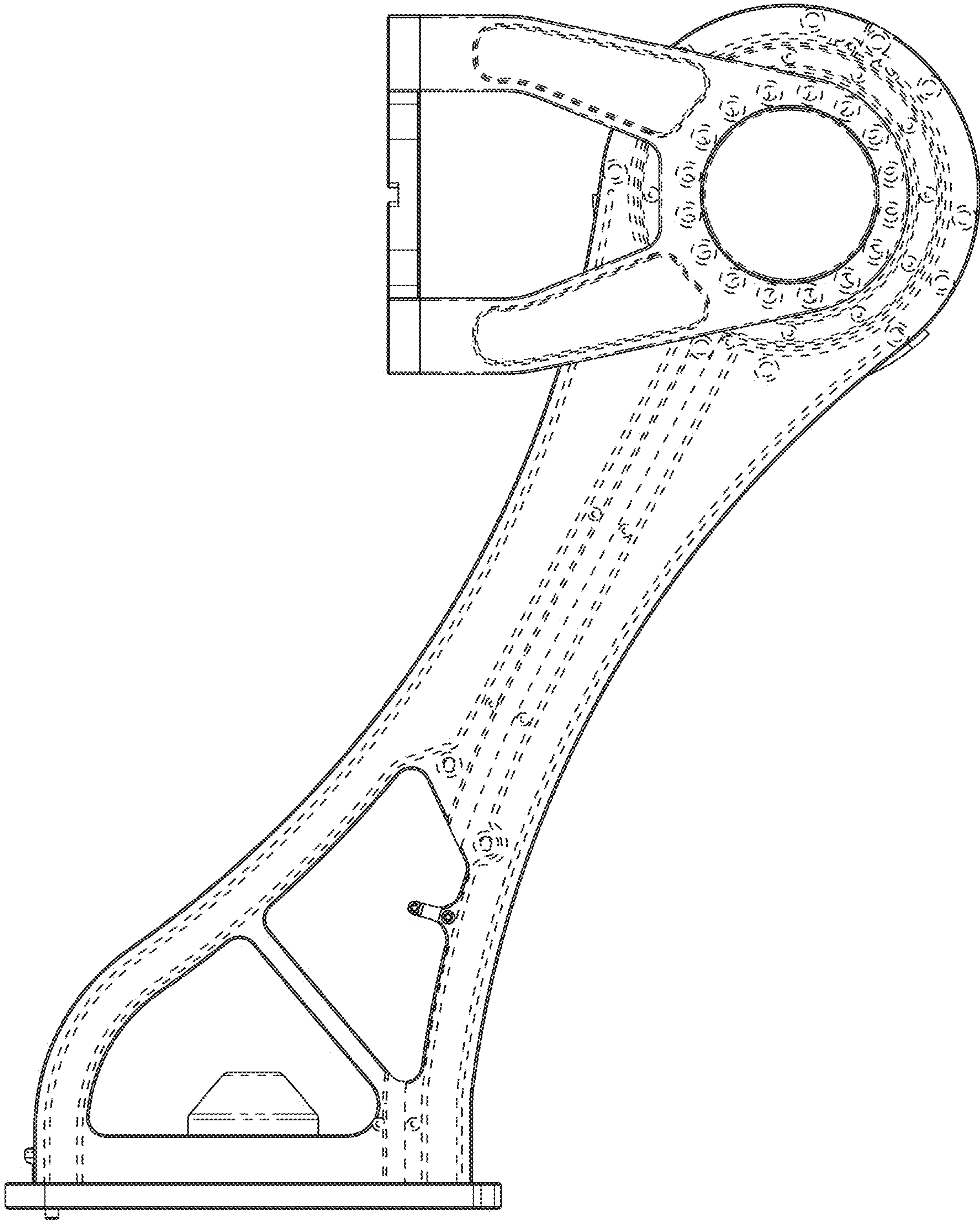


FIG. 10

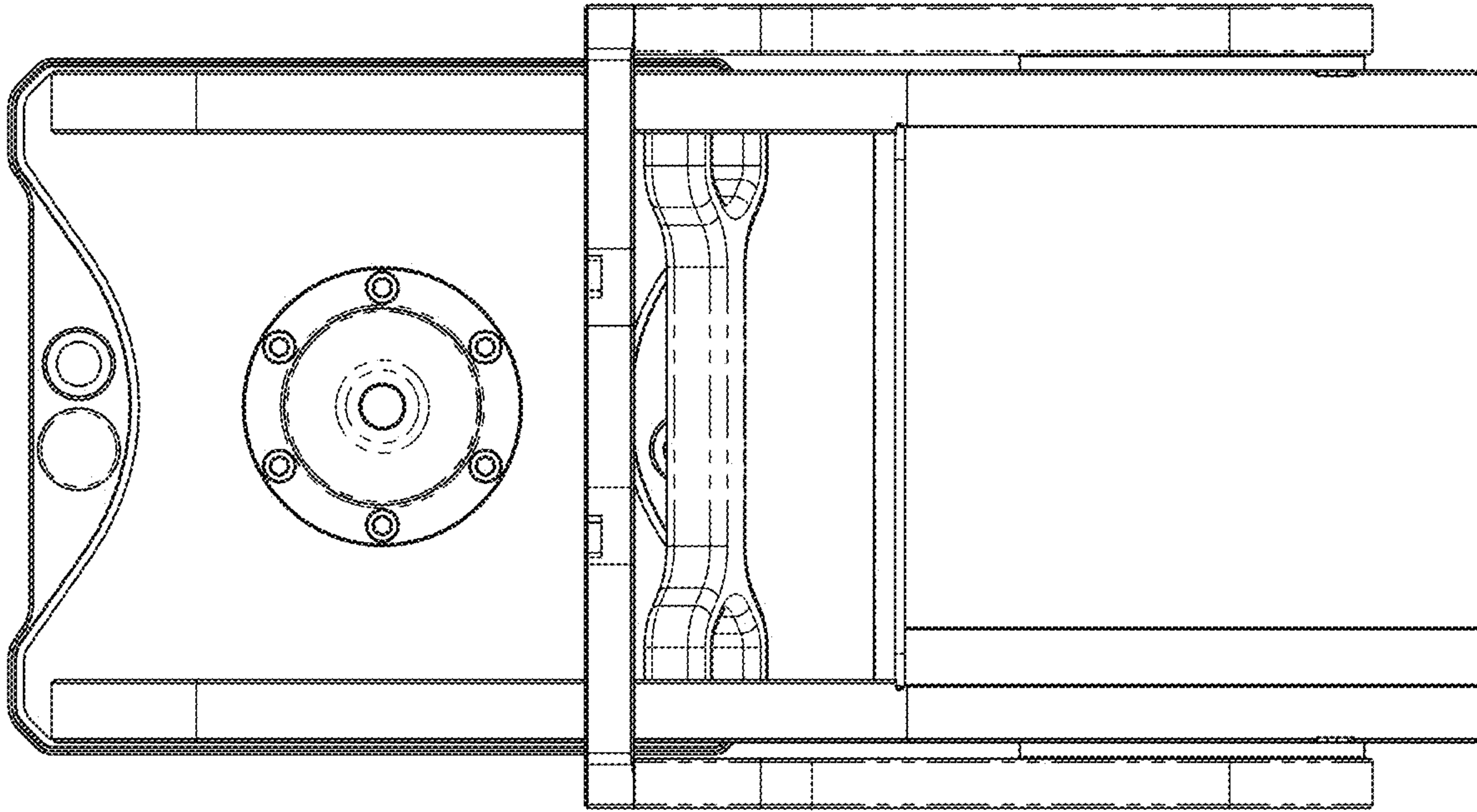


FIG. 11

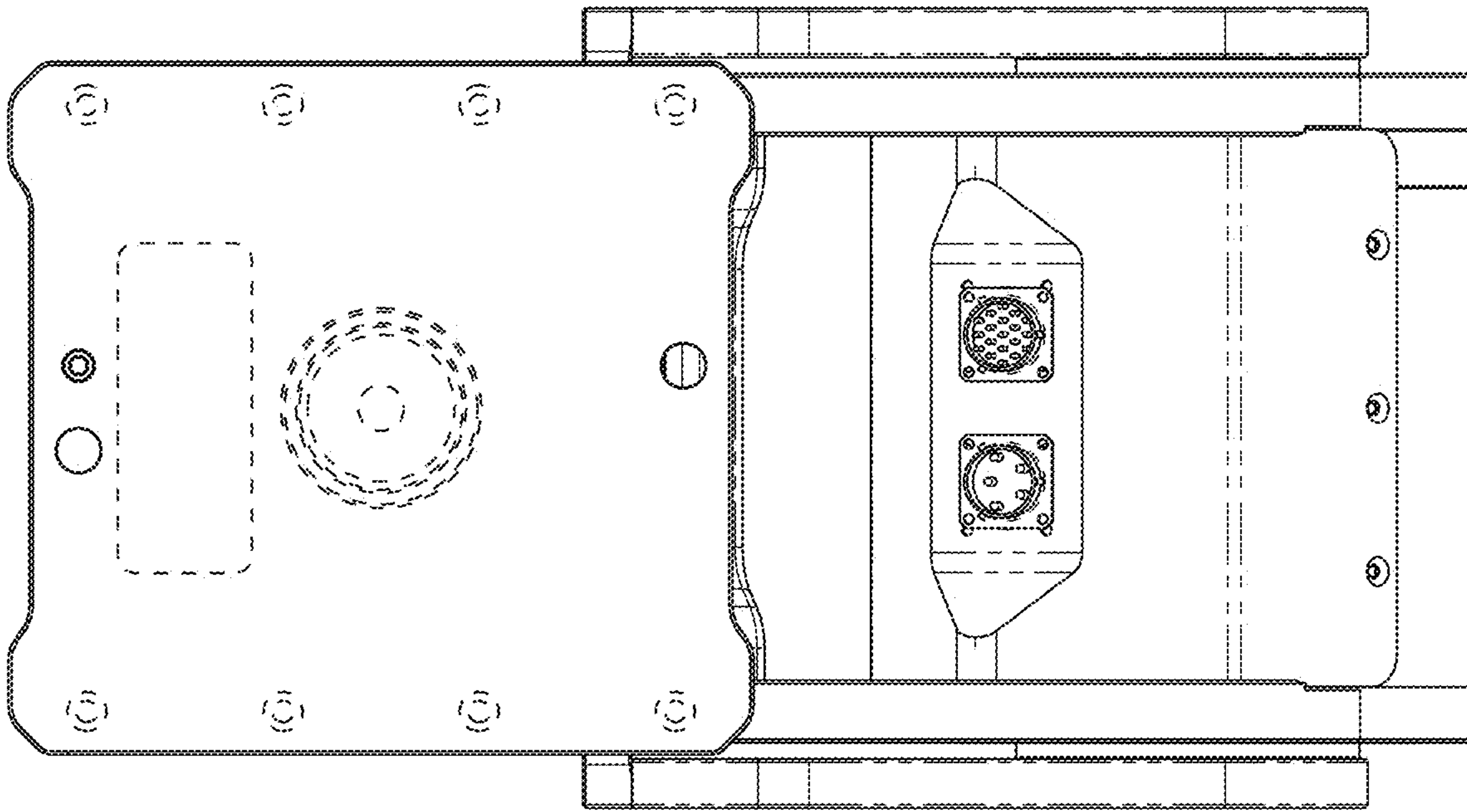


FIG. 12

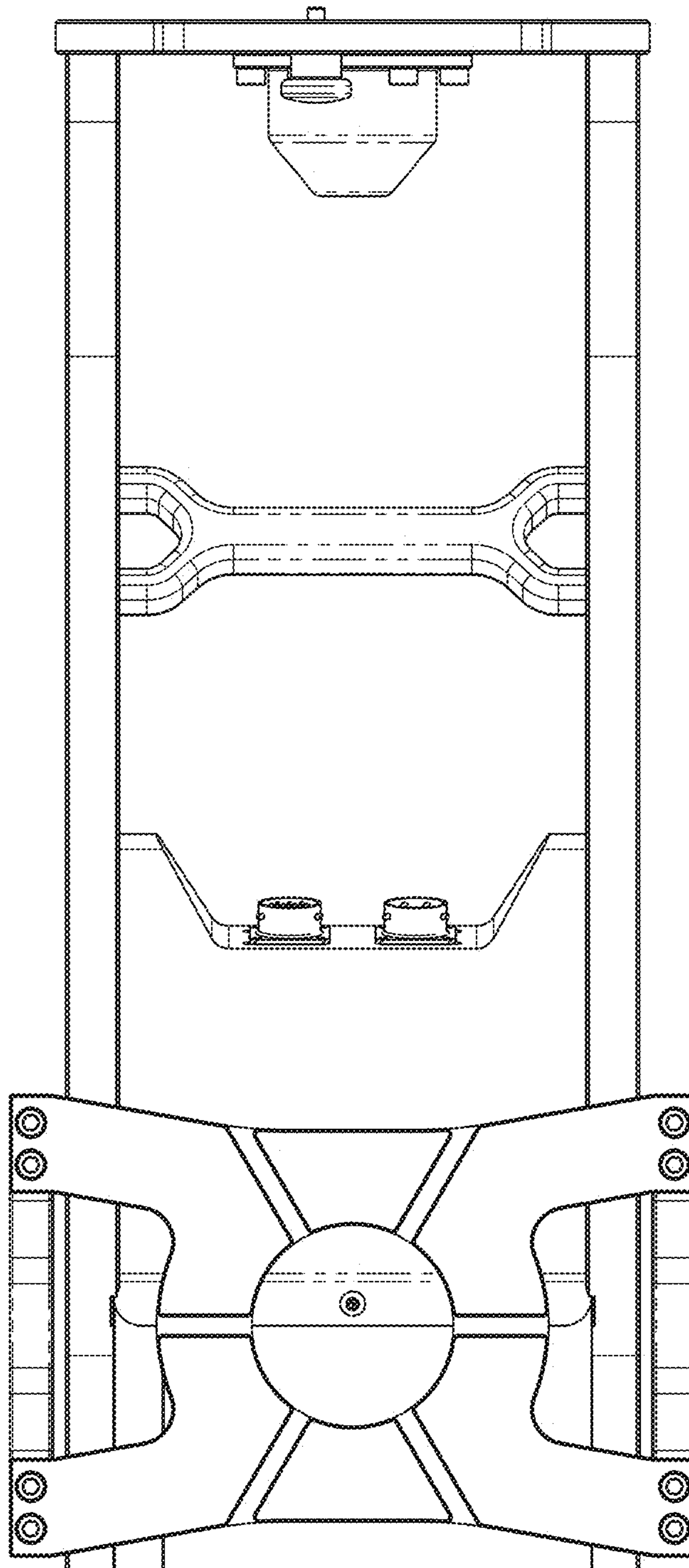


FIG. 13

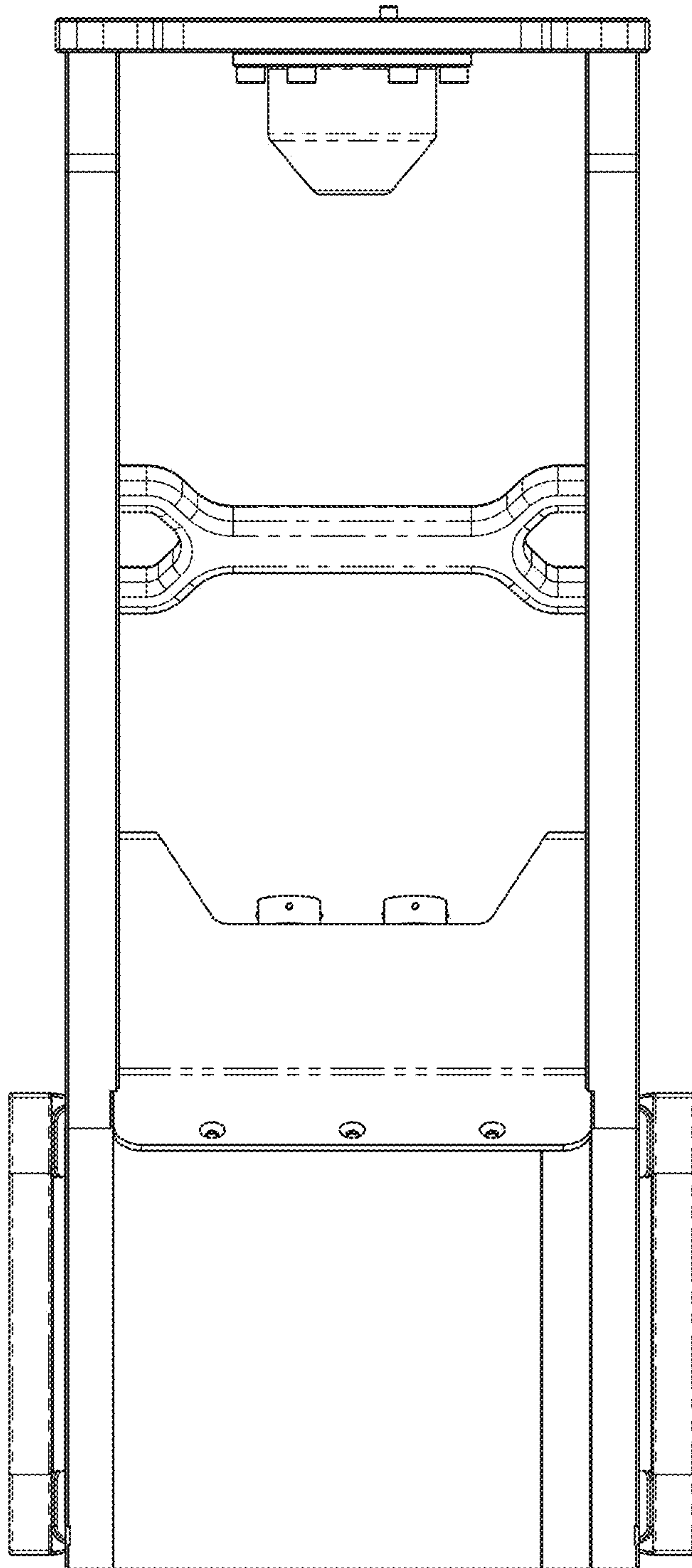


FIG. 14

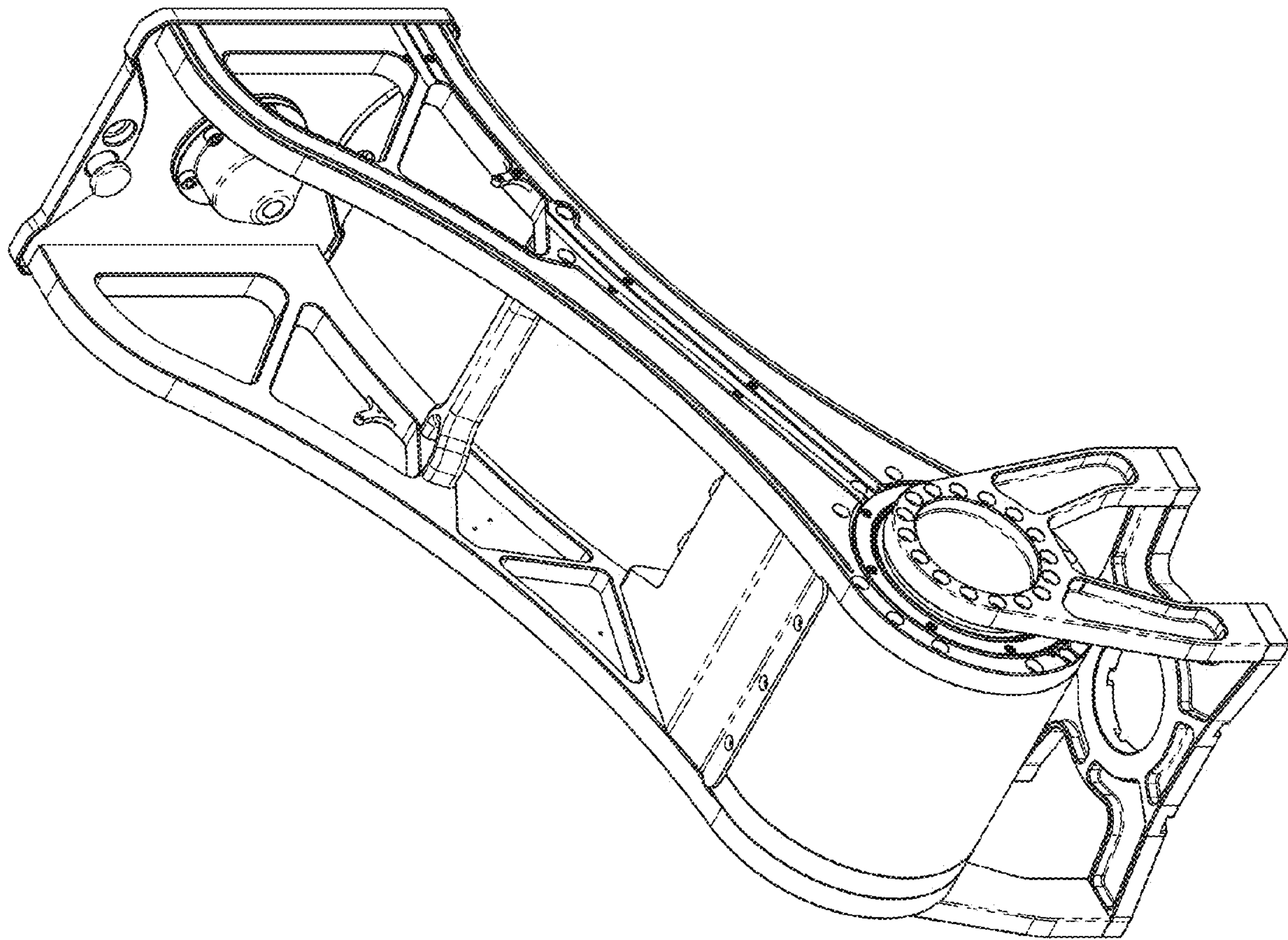


FIG. 15

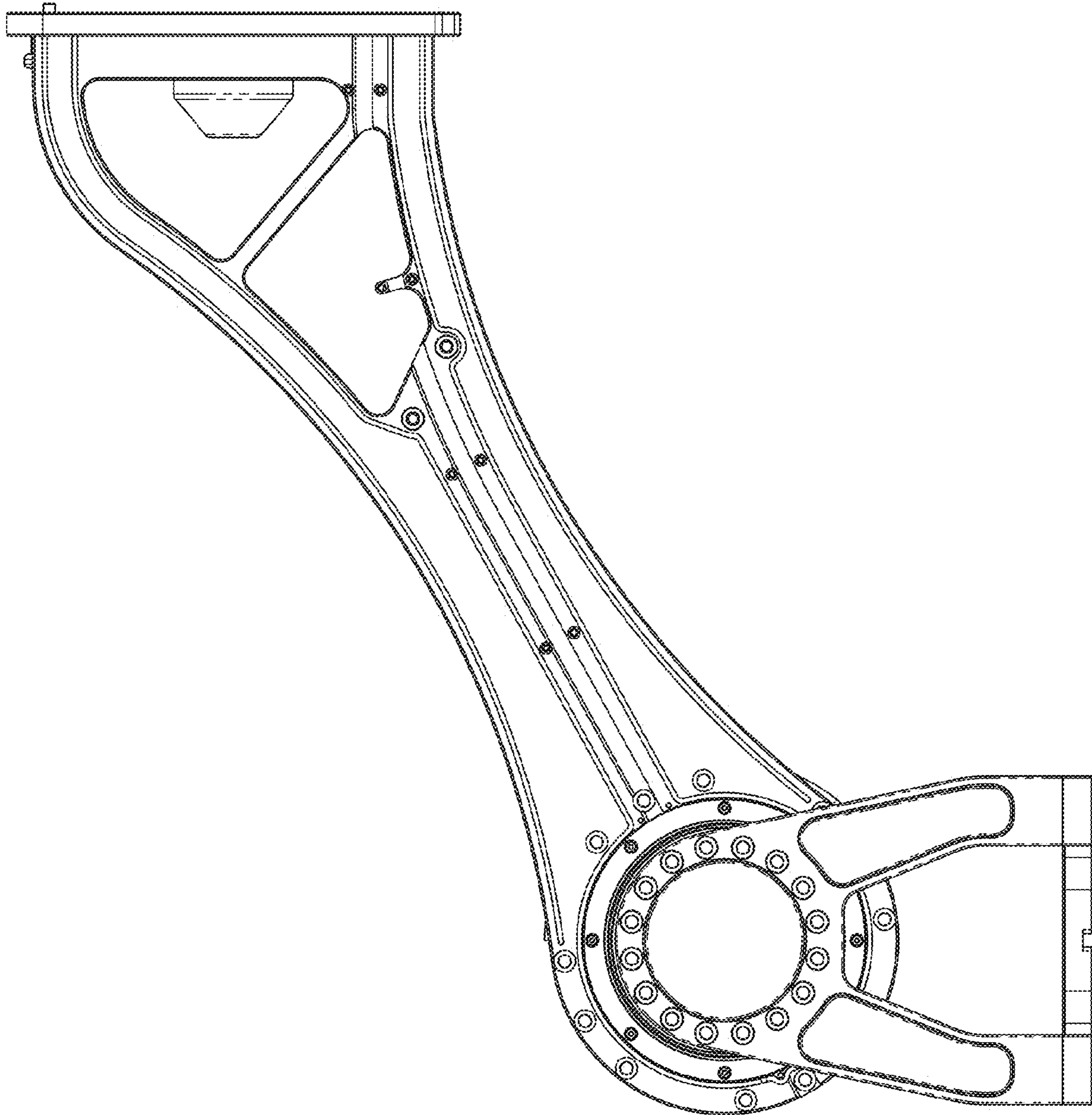


FIG. 16

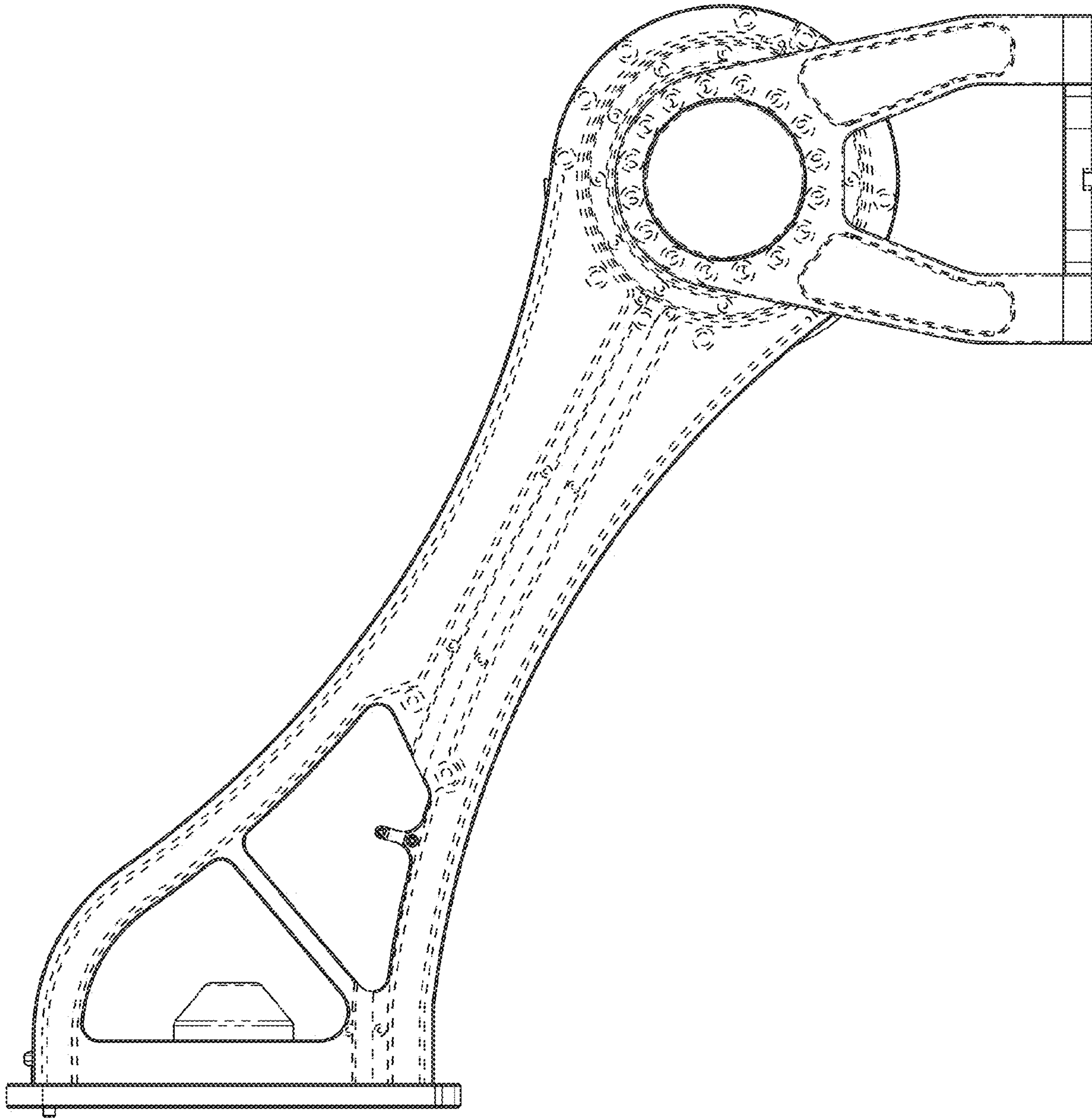


FIG. 17

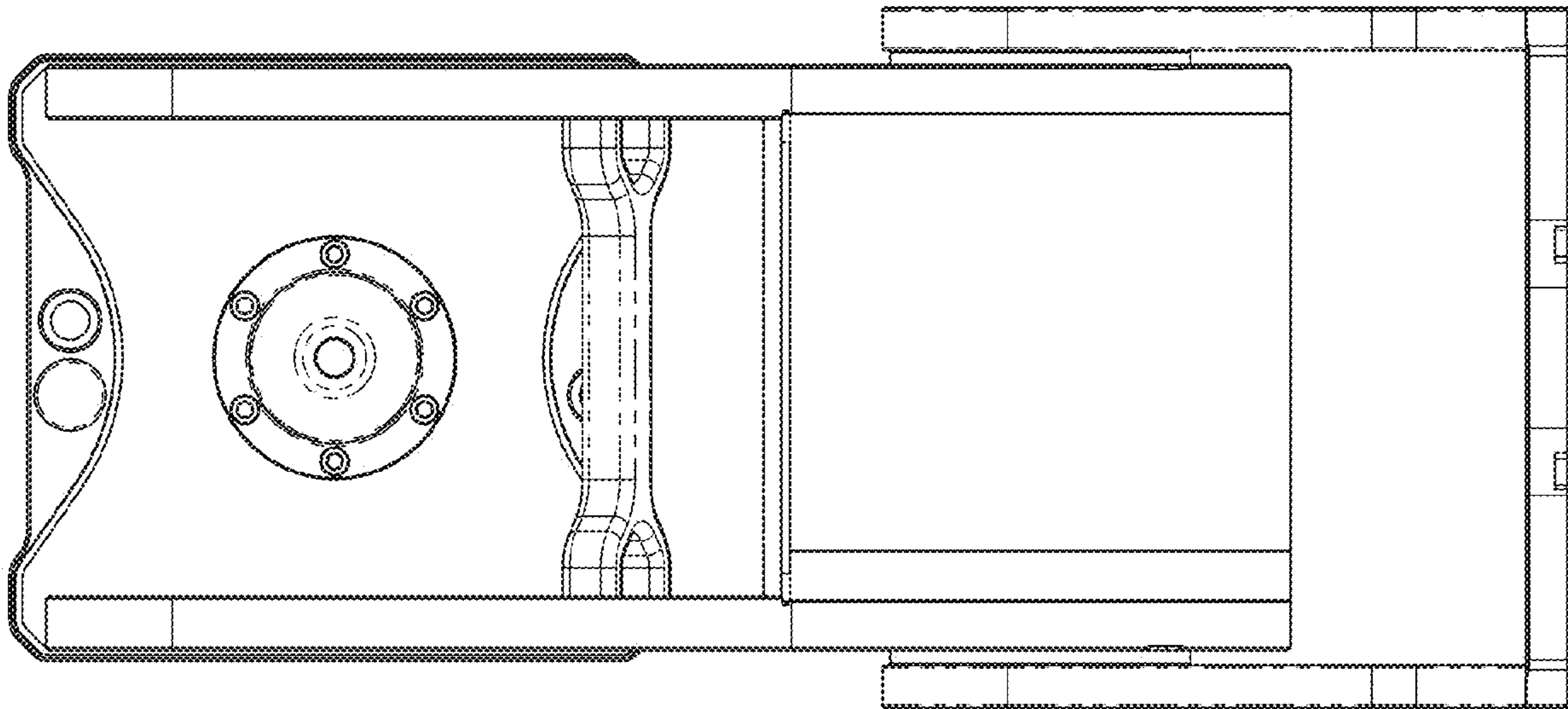


FIG. 18

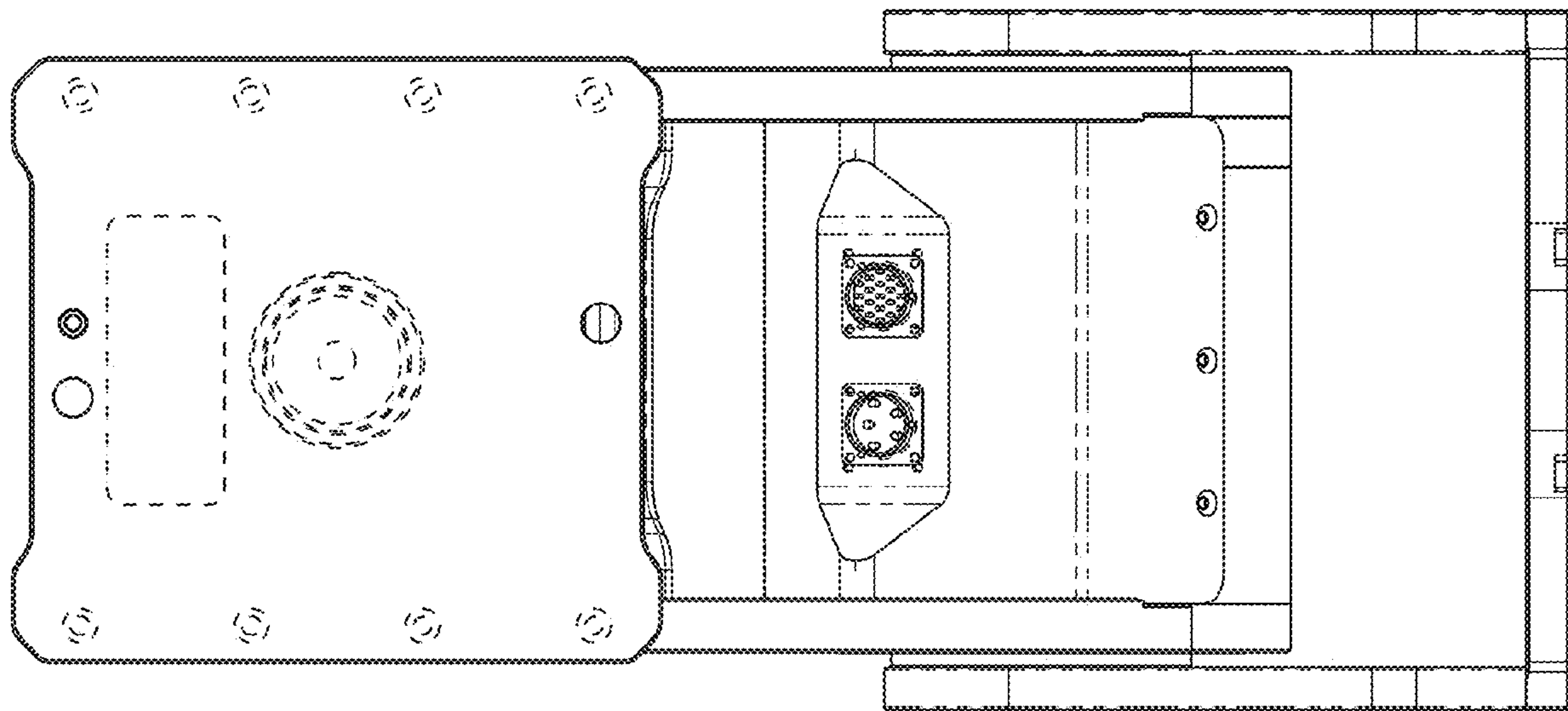


FIG. 19

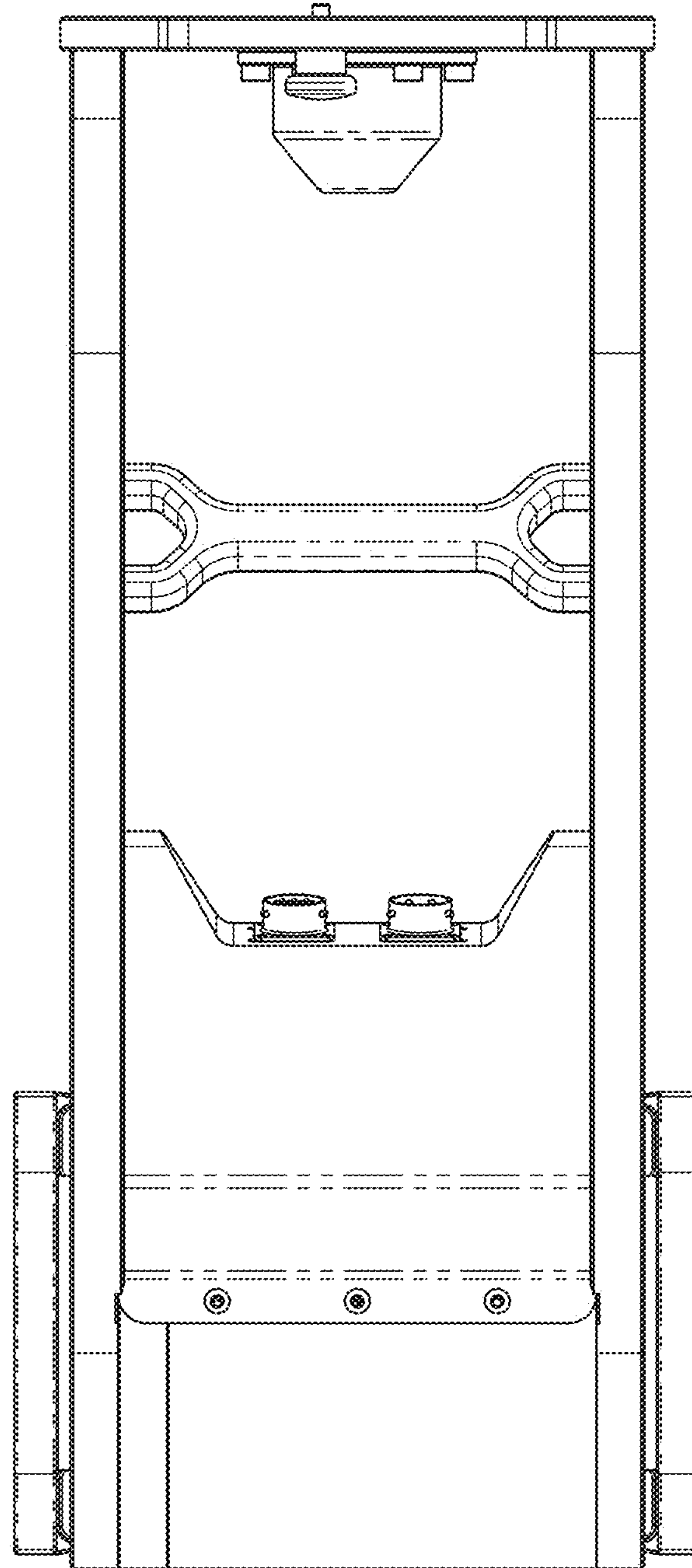


FIG. 20

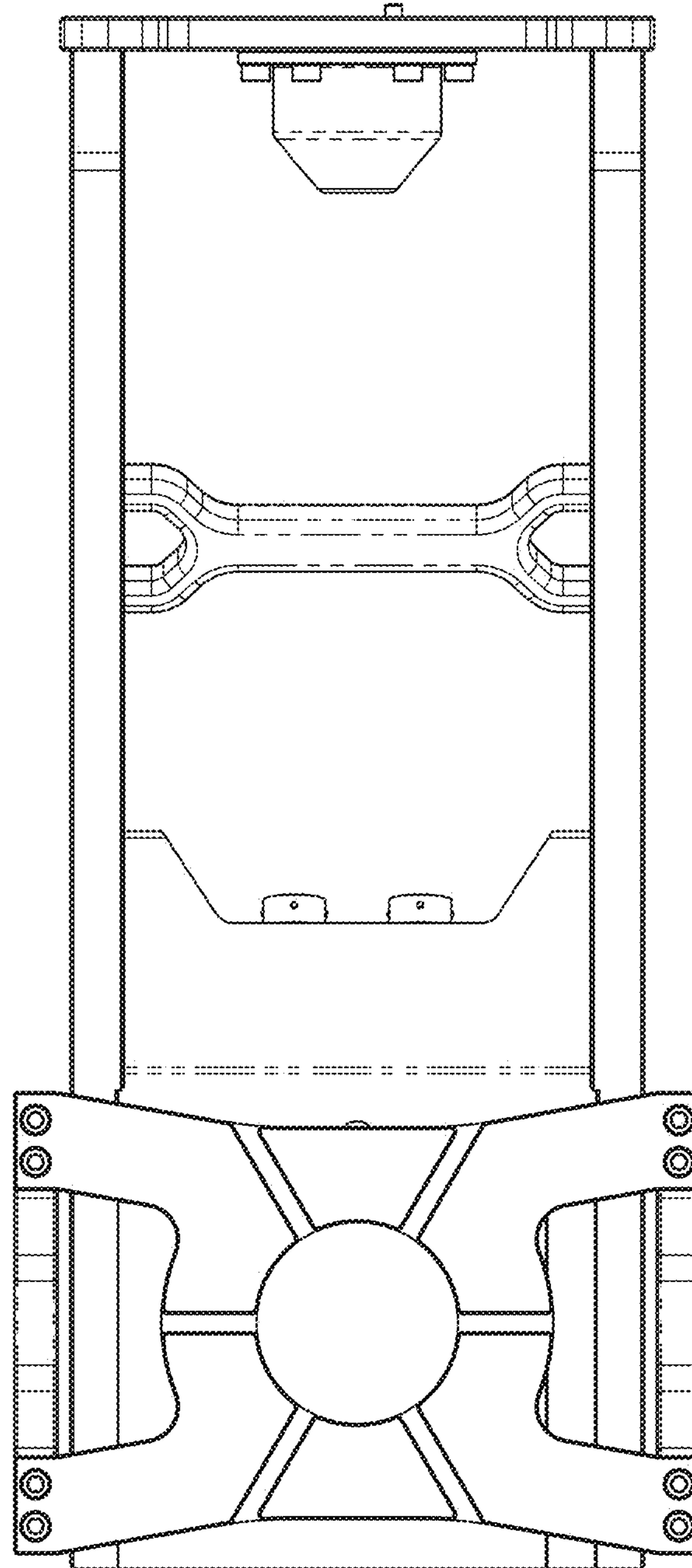


FIG. 21