



US00D949952S

(12) **United States Design Patent**
Luo et al.

(10) **Patent No.:** **US D949,952 S**
(45) **Date of Patent:** **** Apr. 26, 2022**

(54) **PROJECTOR TRIPOD STAND**

(71) Applicants: **Jinqi Luo**, Guangzhou (CN); **Ming Yan**, Yongzhou (CN)

(72) Inventors: **Jinqi Luo**, Guangzhou (CN); **Ming Yan**, Yongzhou (CN)

(**) Term: **15 Years**

(21) Appl. No.: **29/778,505**

(22) Filed: **Apr. 13, 2021**

(51) **LOC (13) Cl.** **16-05**

(52) **U.S. Cl.**
USPC **D16/237**; D16/242; D16/244

(58) **Field of Classification Search**
USPC D16/208–209, 219, 225, 235, 237–250;
D8/354, 355, 363, 373, 382–383,
D8/394–396; D14/224, 229, 238, 251,
D14/253, 447, 451, 457
CPC .. F16M 11/14; G02B 7/00–002; G03B 17/56;
G03B 17/561–566; H04N 5/2253–2254;
A45F 5/00; A45F 2200/0508–0533
See application file for complete search history.

(56) **References Cited**

U.S. PATENT DOCUMENTS

3,934,806	A *	1/1976	Rady	A47B 19/06 248/460
D268,458	S *	4/1983	Schoenig	D16/244
D314,873	S *	2/1991	Wenger	D6/701
D346,509	S	5/1994	Mezoe		
D365,825	S *	1/1996	Abraham	D14/299
5,564,661	A *	10/1996	Gershon	A47B 19/002 248/167

D404,933	S *	2/1999	Travers	D6/700
6,193,204	B1 *	2/2001	Hsu	A47B 19/002 248/460
D465,235	S *	11/2002	Heid	D17/99
D618,009	S *	6/2010	Lancet	D6/700
D911,428	S *	2/2021	Xiao	D16/244
D911,757	S *	3/2021	Zhou	D6/701
2003/0052237	A1 *	3/2003	Yu	A47B 19/002 248/125.8
2006/0175523	A1 *	8/2006	Tai	A47B 19/002 248/460

OTHER PUBLICATIONS

29778505_OrbitRef_GB4023768. Design © Questel orbit.com. [Online PDF compilation of references] 2 pgs. Retrieved Feb. 24, 2022 from URL: <https://www.orbit.com/export/QPTUJ190/pdf2/9bea7445-61ba-480a-876e-2c9f59c38e7d-170343.pdf> (Year: 2012).*

(Continued)

Primary Examiner — Vy N Koenig
(74) *Attorney, Agent, or Firm* — Justin Lampel

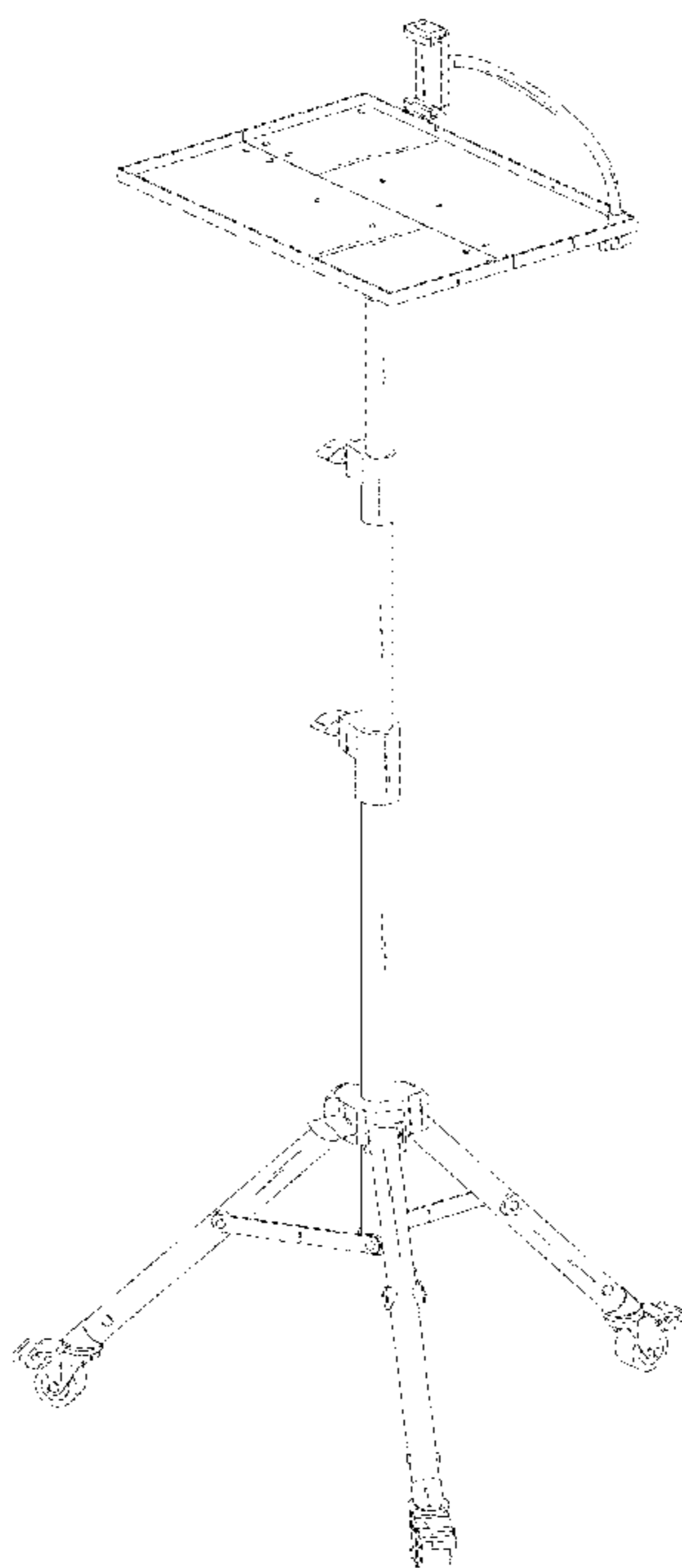
(57) **CLAIM**

The ornamental design for a projector tripod stand, as shown and described.

DESCRIPTION

FIG. 1 is a perspective view of a projector tripod stand showing the claimed design;
FIG. 2 is a top plan view thereof;
FIG. 3 is a left side view thereof;
FIG. 4 is a front elevational view thereof;
FIG. 5 is a right side view thereof;
FIG. 6 is a rear elevational view thereof; and,
FIG. 7 is a bottom plan view thereof.
The broken lines illustrate portions of the projector tripod stand that form no part of the claimed design.

1 Claim, 7 Drawing Sheets



(56)

References Cited

OTHER PUBLICATIONS

Projector Stand, Sturdy Durable Metal Laptop Tripod Stand with Wheels . . . [online] First available on Amazon Mar. 19, 2021. Retrieved from URL: <https://www.amazon.com/Projector-Adjustable-Portable-Equipment-Outdoors/dp/B08ZHPR6SM?th=1> (Year: 2021).*

Projector Tripod Stand, Foldable Laptop Tripod . . . by Liugast. [online] First available on Amazon May 9, 2020. Retrieved from URL: <https://www.amazon.com/dp/B088CMZZLR?tag=menglypro-20> (Year: 2020).*

Creproly Projector Tripod Stand . . . [online] First available on Amazon Jan. 5, 2022. Retrieved from URL: https://www.amazon.com/Creproly-Projector-Adjustable-Computer-Keyboard/dp/B09PQZMQKT/ref=sr_1_10?keywords=Creproly&qid=1645815303&sr=8-10 (Year: 2022).*

* cited by examiner

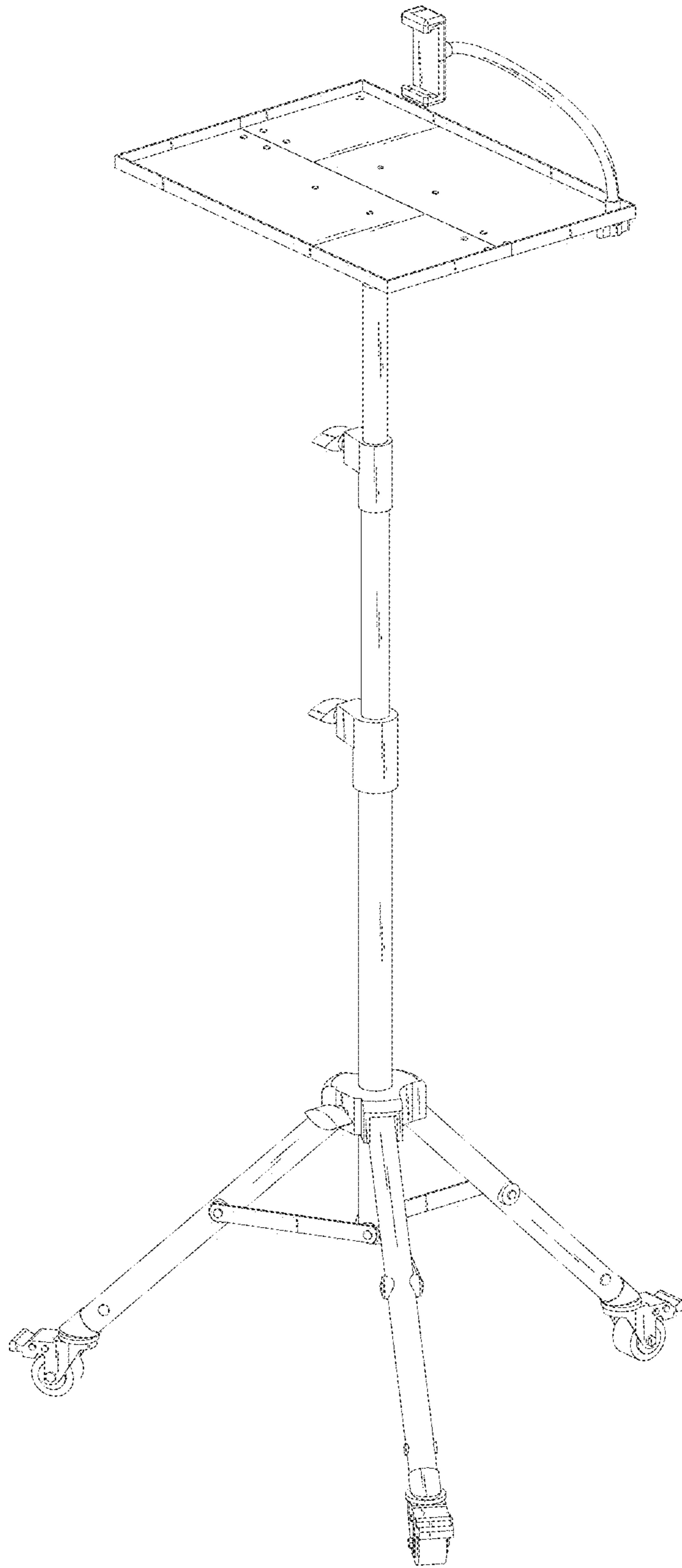


FIG.1

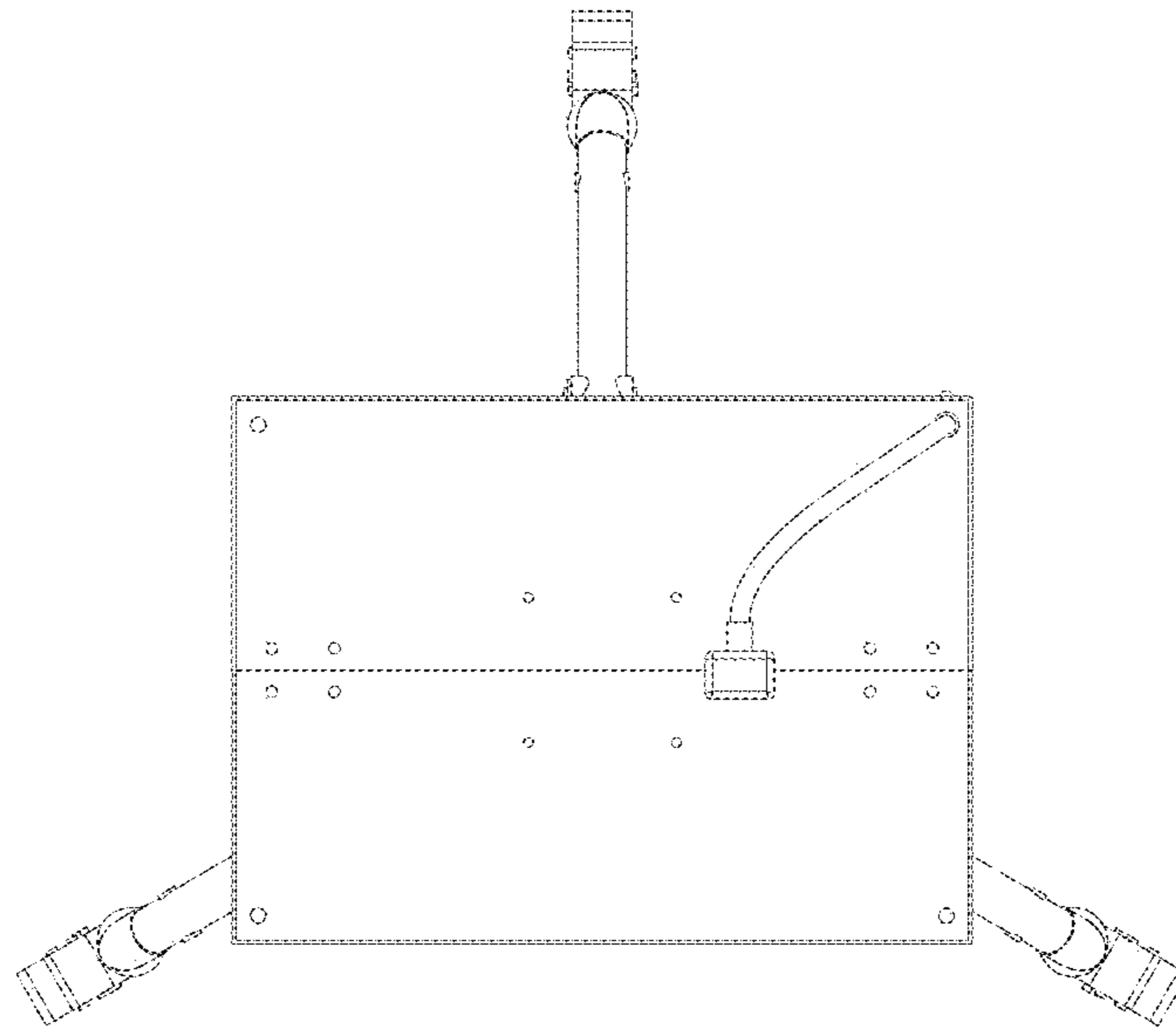


FIG. 2

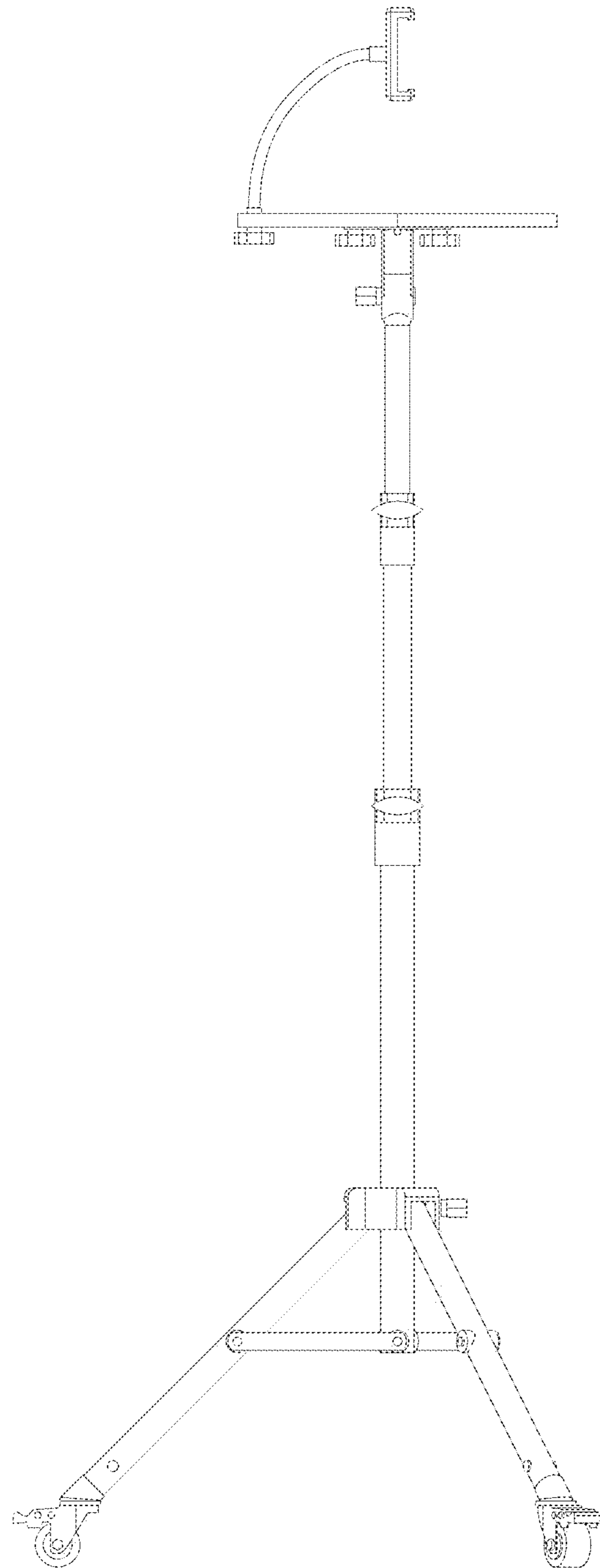


FIG. 3

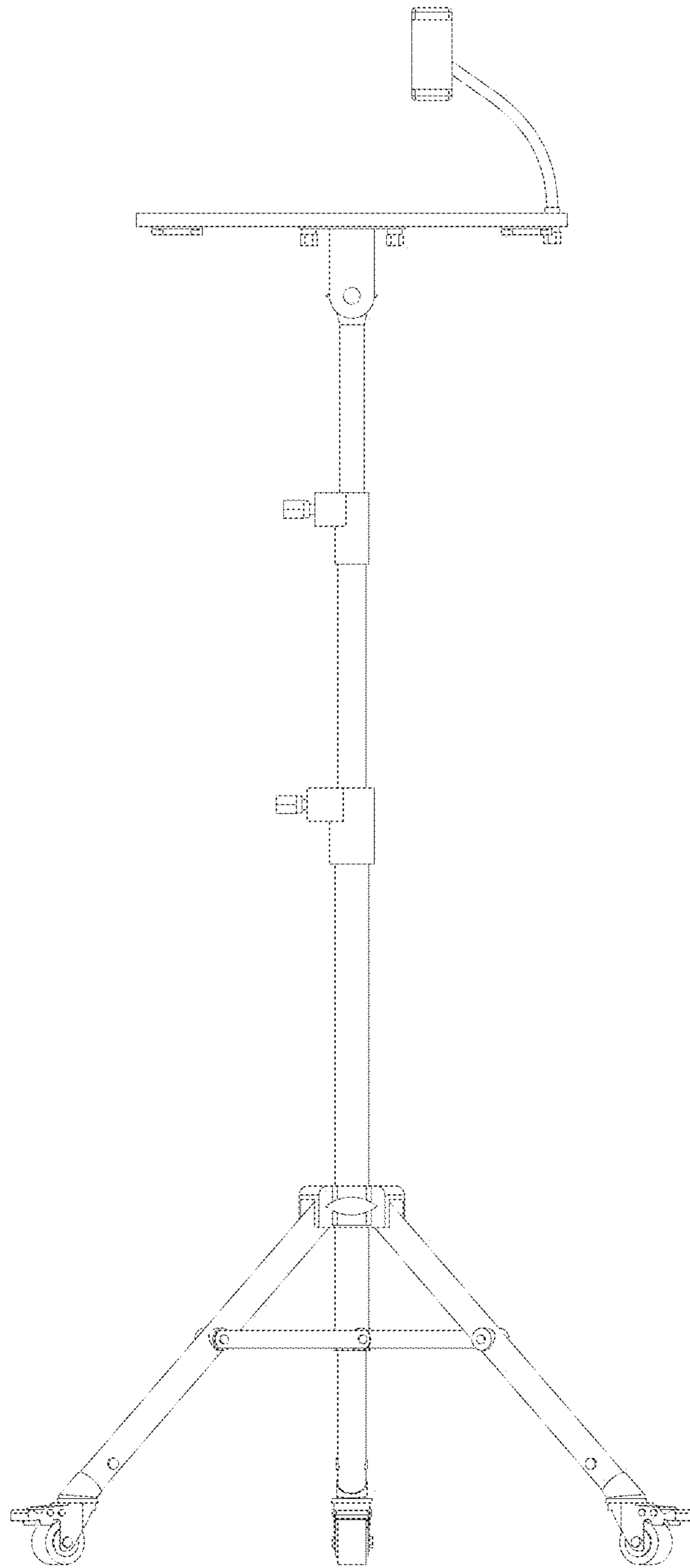


FIG.4

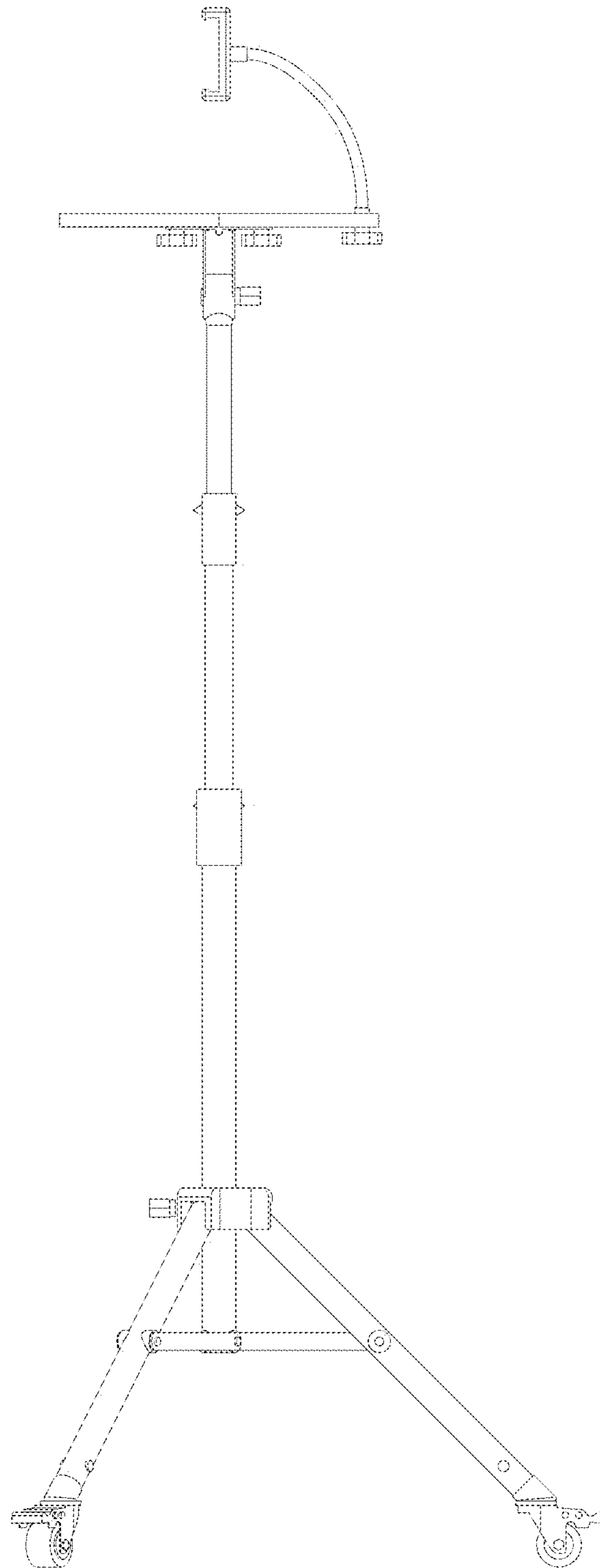


FIG.5

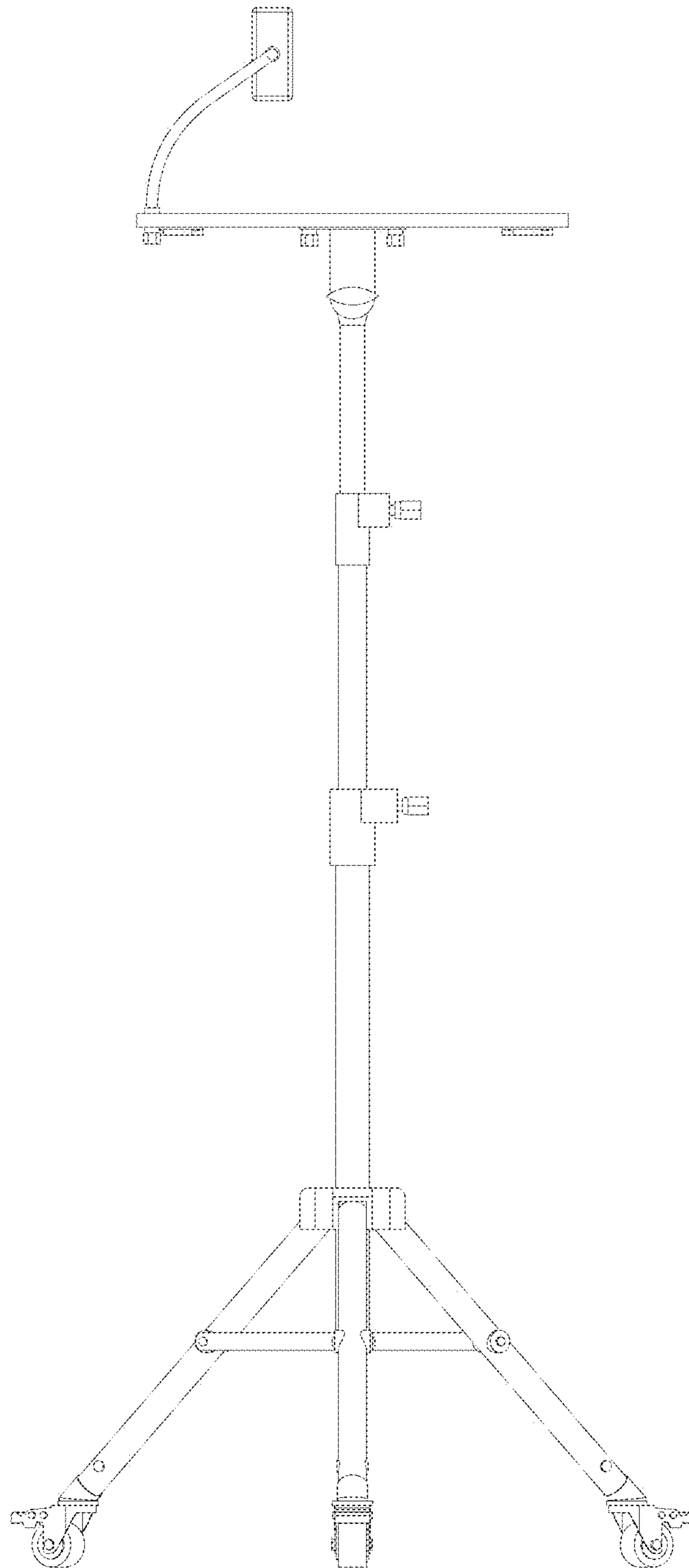


FIG.6

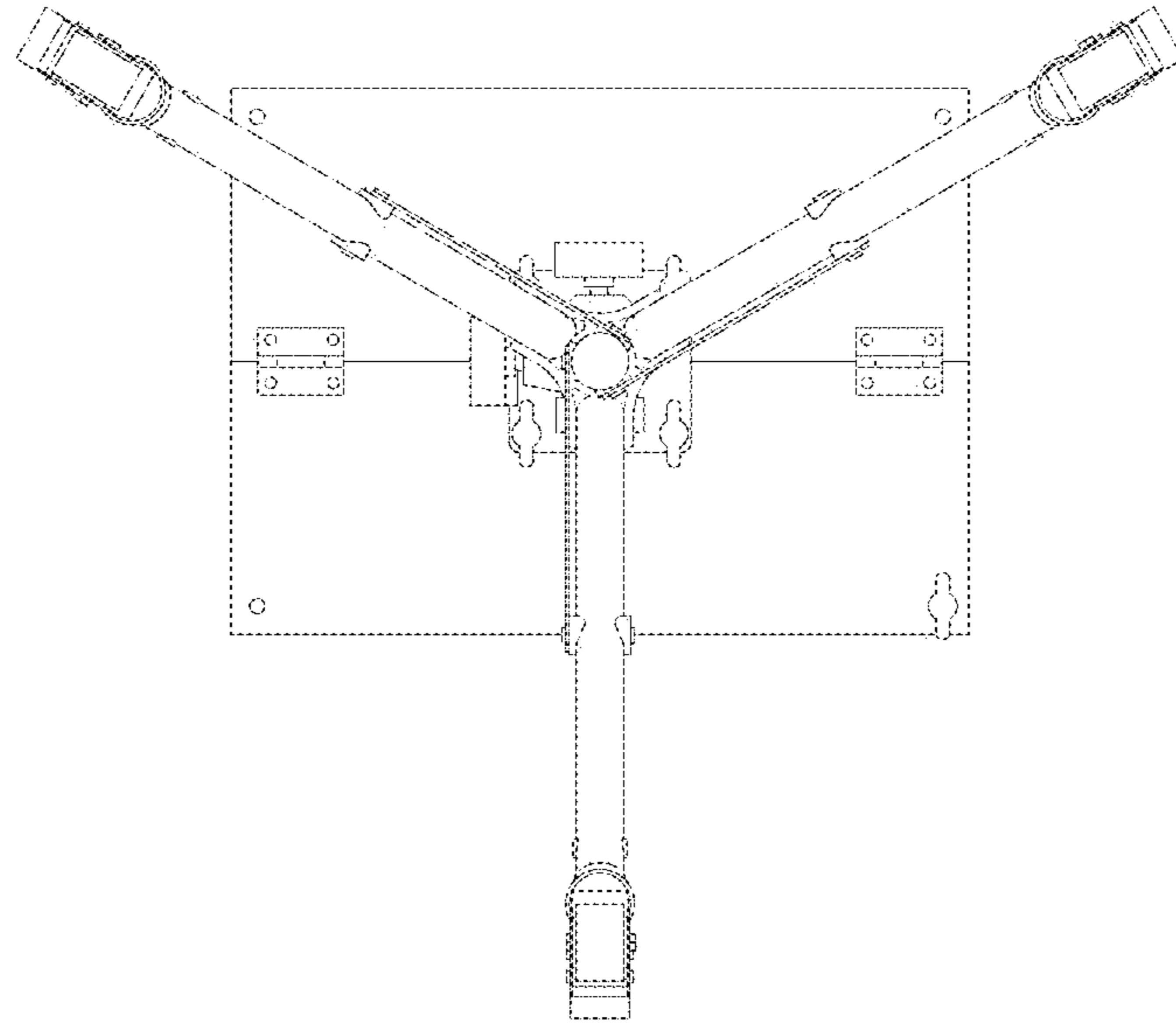


FIG.7