

US00D949951S

(12) **United States Design Patent**
Wei

(10) **Patent No.:** **US D949,951 S**

(45) **Date of Patent:** **** Apr. 26, 2022**

(54) **PROJECTOR**

(71) Applicant: **SHENZHEN LIGHT VALVE TECHNOLOGY CO., LTD**, Shenzhen (CN)

(72) Inventor: **Jiaoxian Wei**, Hengyang (CN)

(73) Assignee: **SHENZHEN LIGHT VALVE TECHNOLOGY CO., LTD**, Shenzhen (CN)

(**) Term: **15 Years**

(21) Appl. No.: **29/798,035**

(22) Filed: **Jul. 5, 2021**

(51) **LOC (13) Cl.** **16-02**

(52) **U.S. Cl.**
USPC **D16/230**

(58) **Field of Classification Search**
USPC D16/221, 225, 230–231, 234; D21/514
CPC G03B 21/145; G03B 21/16; G03B 21/00;
G03B 21/003; G03B 21/12; G03B 21/14
See application file for complete search history.

(56) **References Cited**

U.S. PATENT DOCUMENTS

D520,551 S 5/2006 Salvatori et al.
D527,293 S 8/2006 Ishii
D545,865 S * 7/2007 Azuma D16/221

D600,735 S * 9/2009 Chigira D16/230
D633,125 S * 2/2011 Han D16/230
D637,642 S * 5/2011 Lim D16/230
D666,661 S * 9/2012 Hong D16/230
D865,033 S * 10/2019 Cheng D16/230
D903,744 S * 12/2020 Gao D16/230

* cited by examiner

Primary Examiner — Wan Laymon

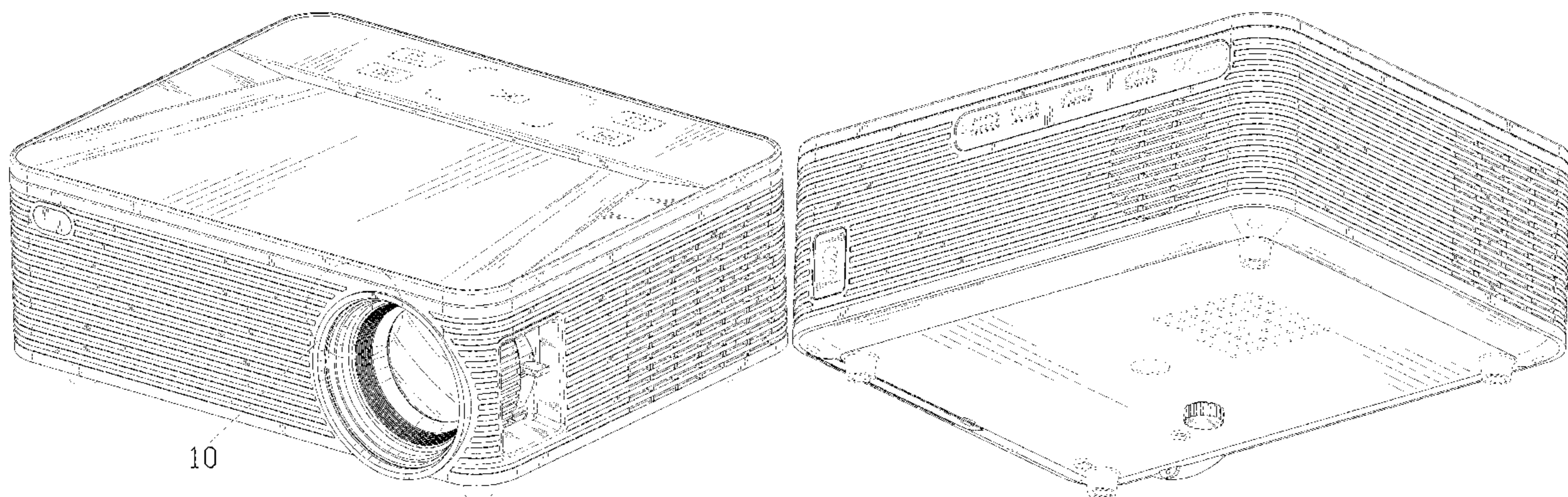
(57) **CLAIM**

The ornamental design for a projector, as shown and described.

DESCRIPTION

FIG. 1 is a perspective view of a projector showing my new design;
FIG. 2 is another perspective view thereof;
FIG. 3 is a front elevational view thereof;
FIG. 4 is a rear elevational view thereof;
FIG. 5 is a left side elevational view thereof;
FIG. 6 is a right side elevational view thereof;
FIG. 7 is a top plan view thereof;
FIG. 8 is a bottom plan view thereof;
FIG. 9 is a perspective view of the projector where a cover is sleeved on the projector;
FIG. 10 is an enlarged view of portion 10 shown in FIG. 1; and,
FIG. 11 is an enlarged view of portion 11 shown in FIG. 3.
The broken lines in the drawings depict portions of the projector that form no part of the claimed design.

1 Claim, 11 Drawing Sheets



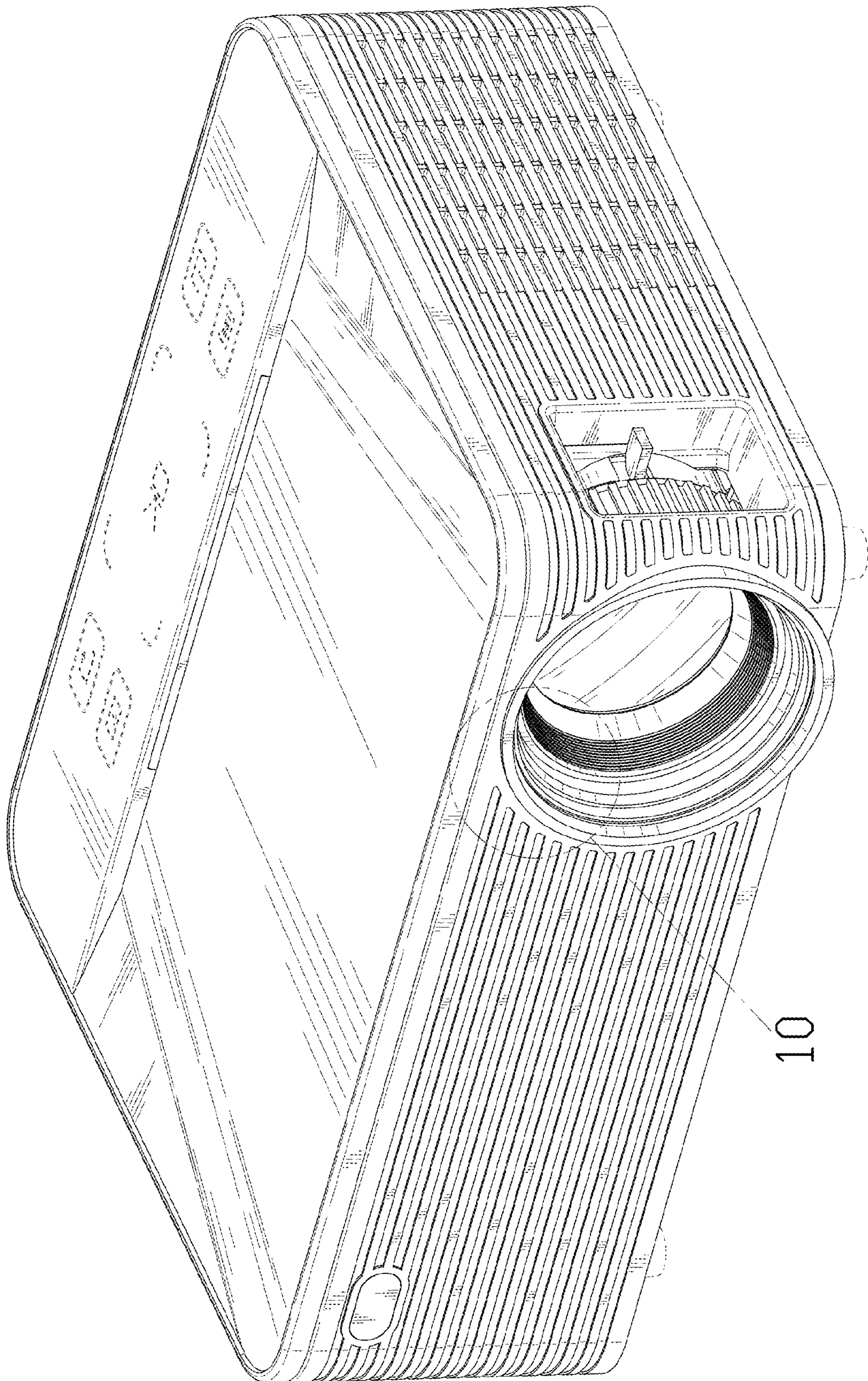


FIG. 1

10

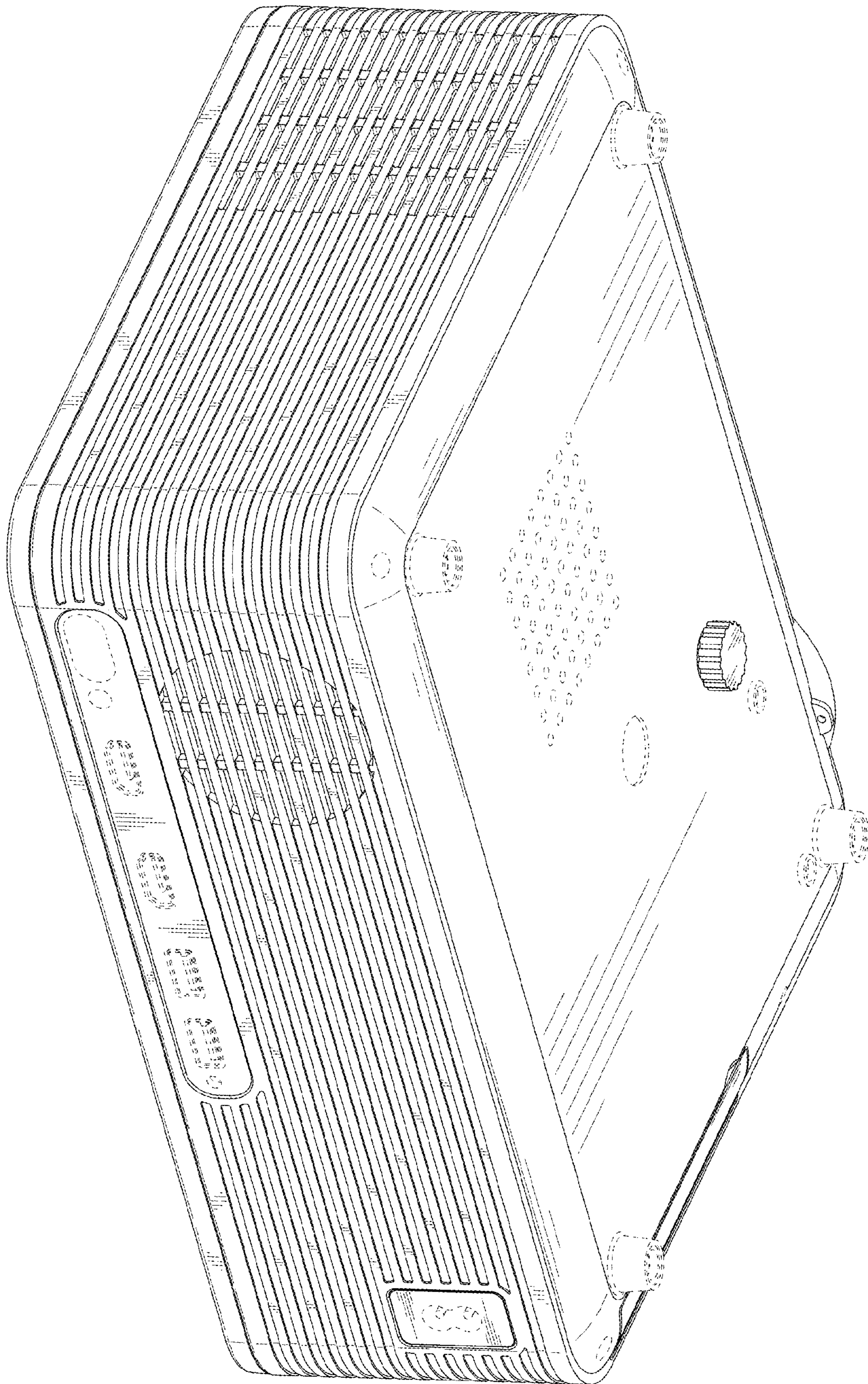


FIG. 2

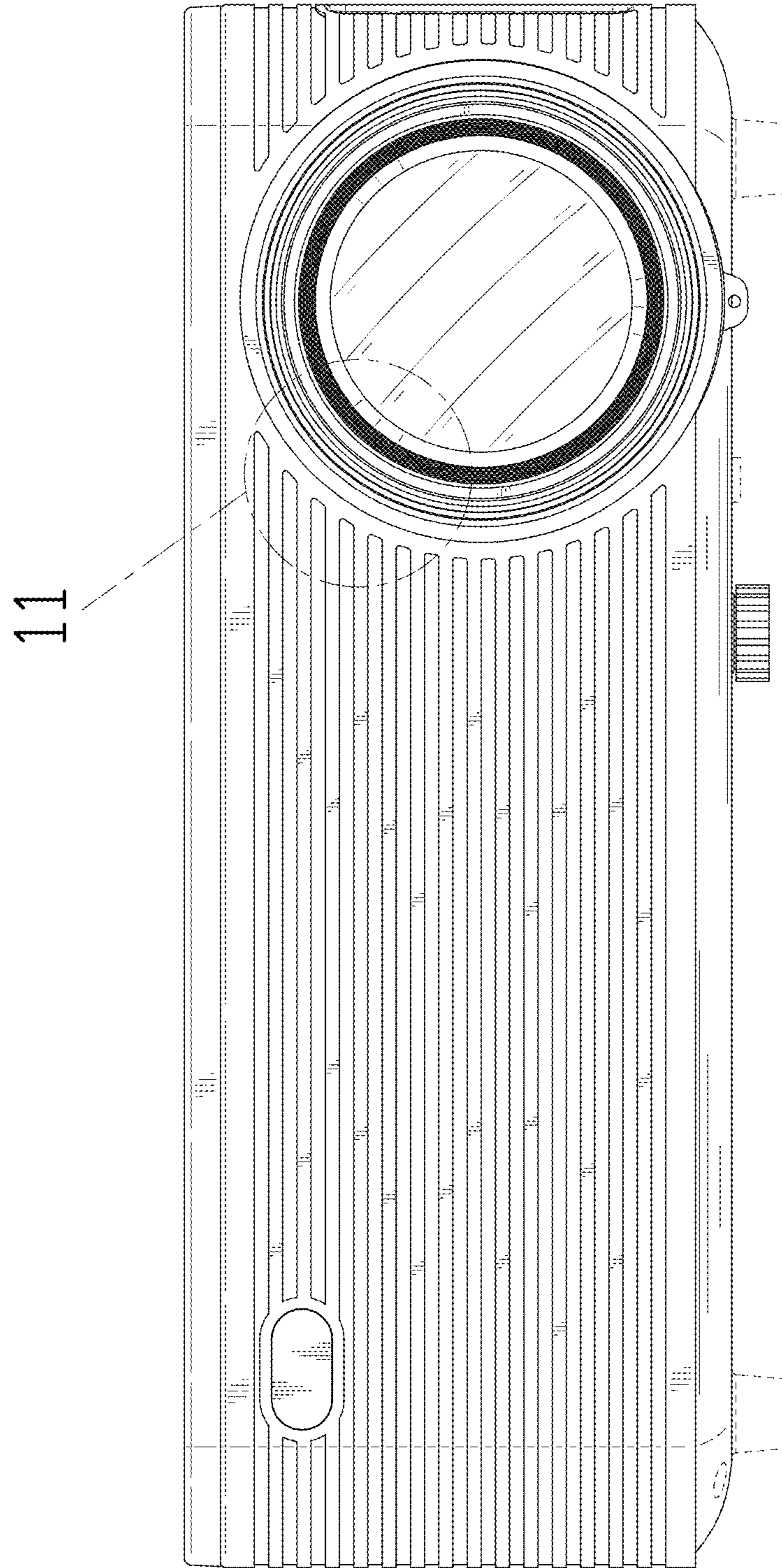


FIG. 3

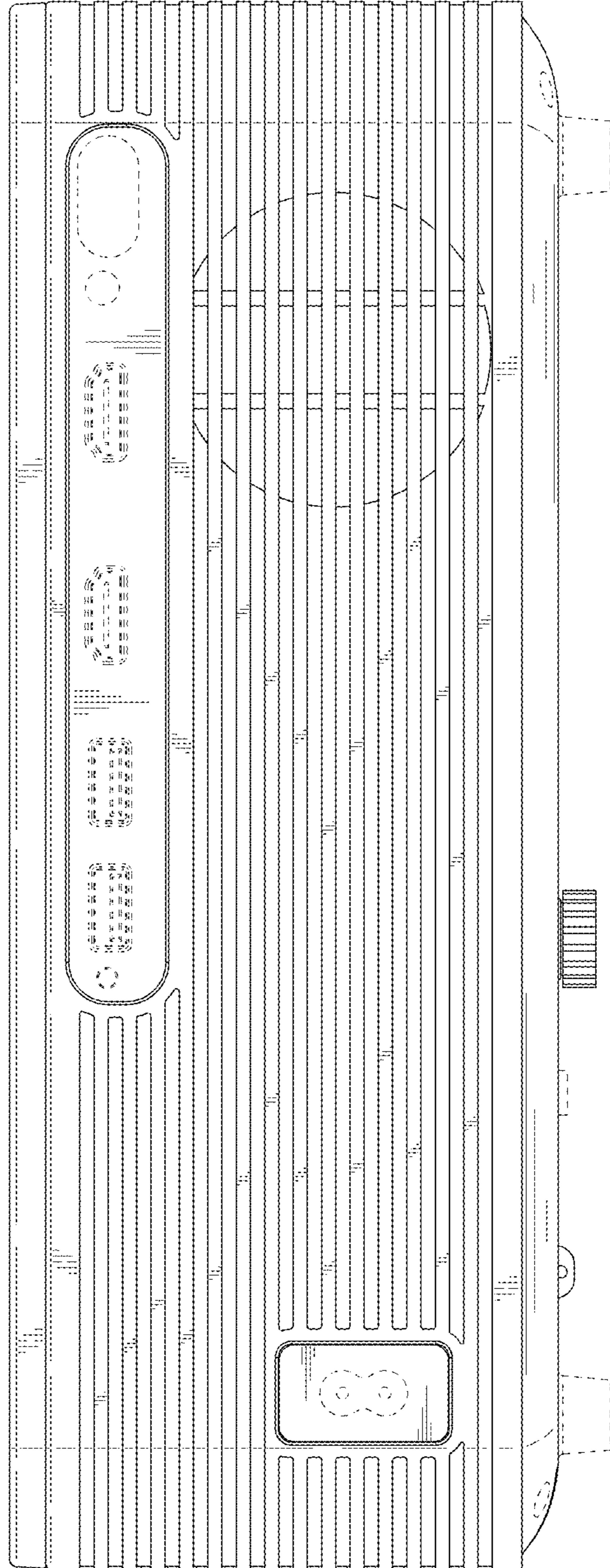


FIG. 4

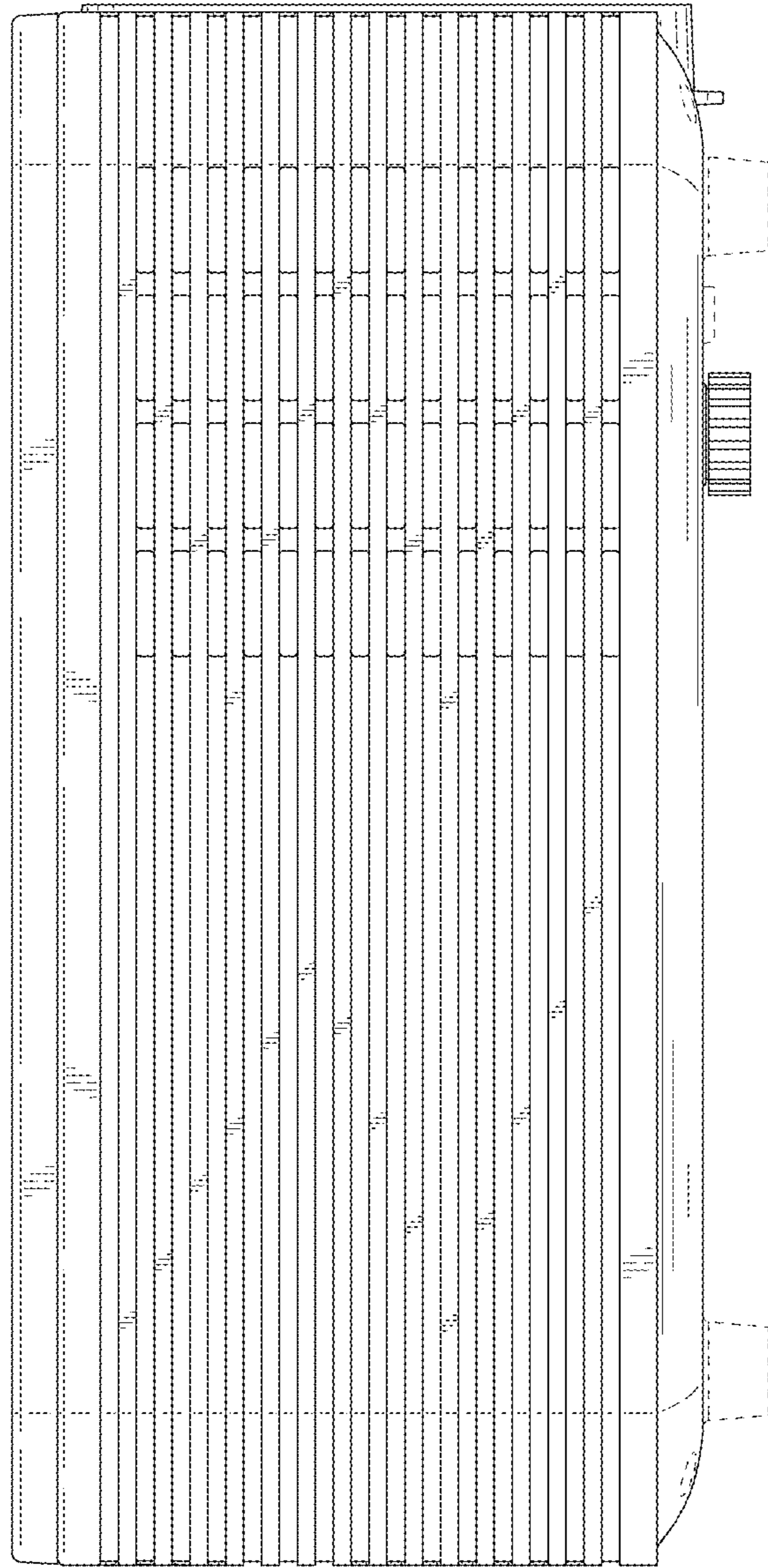


FIG. 5

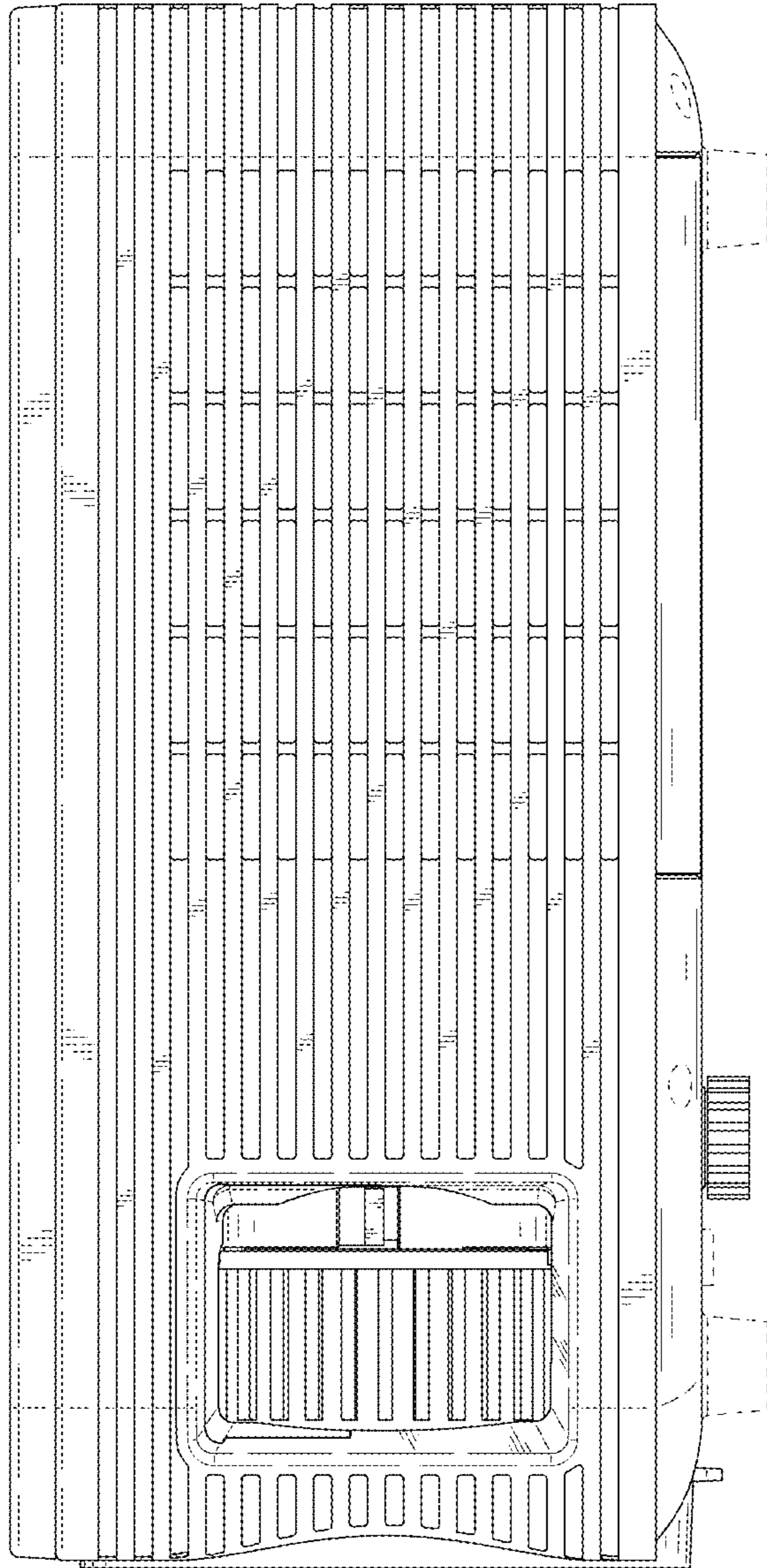


FIG. 6

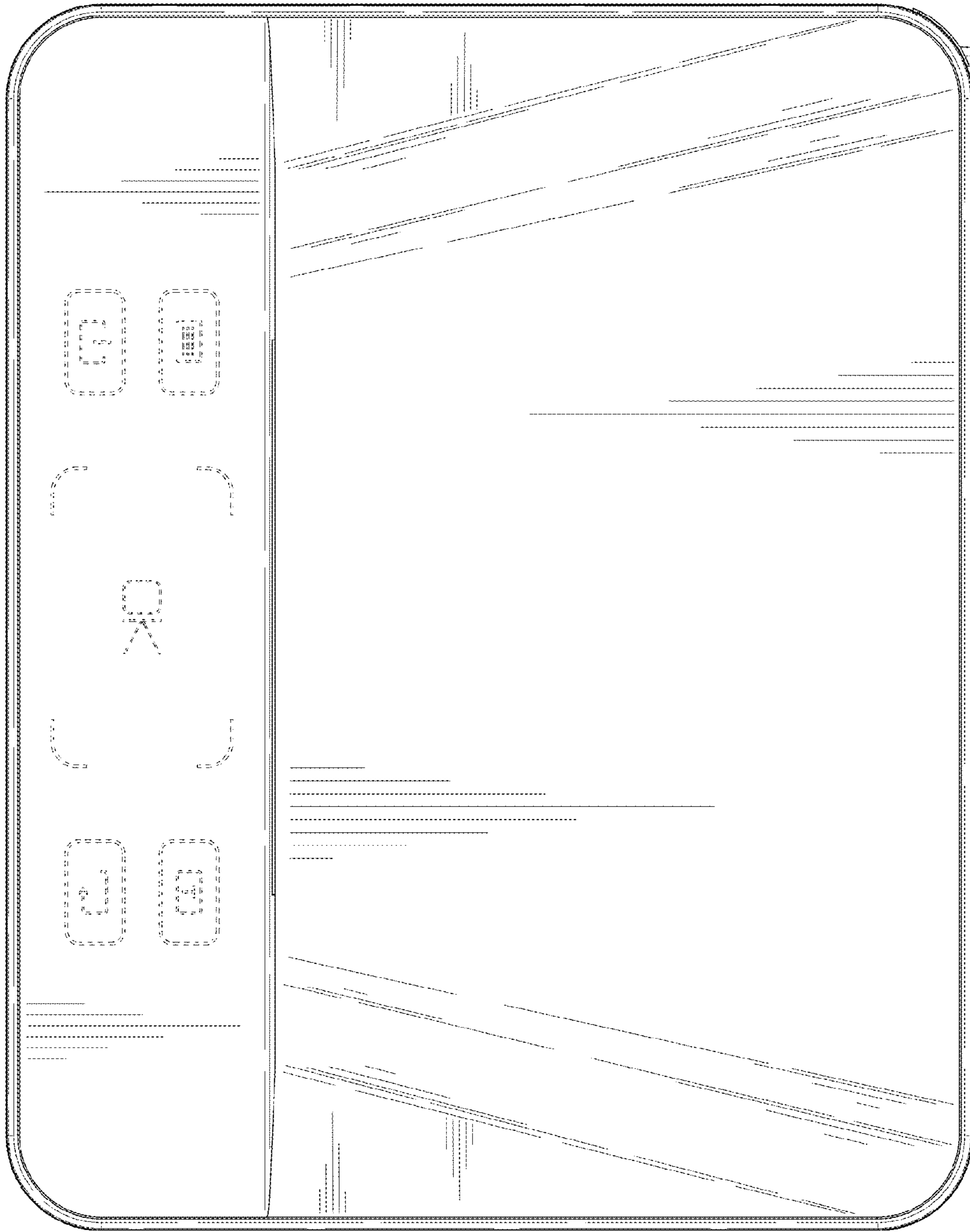


FIG. 7

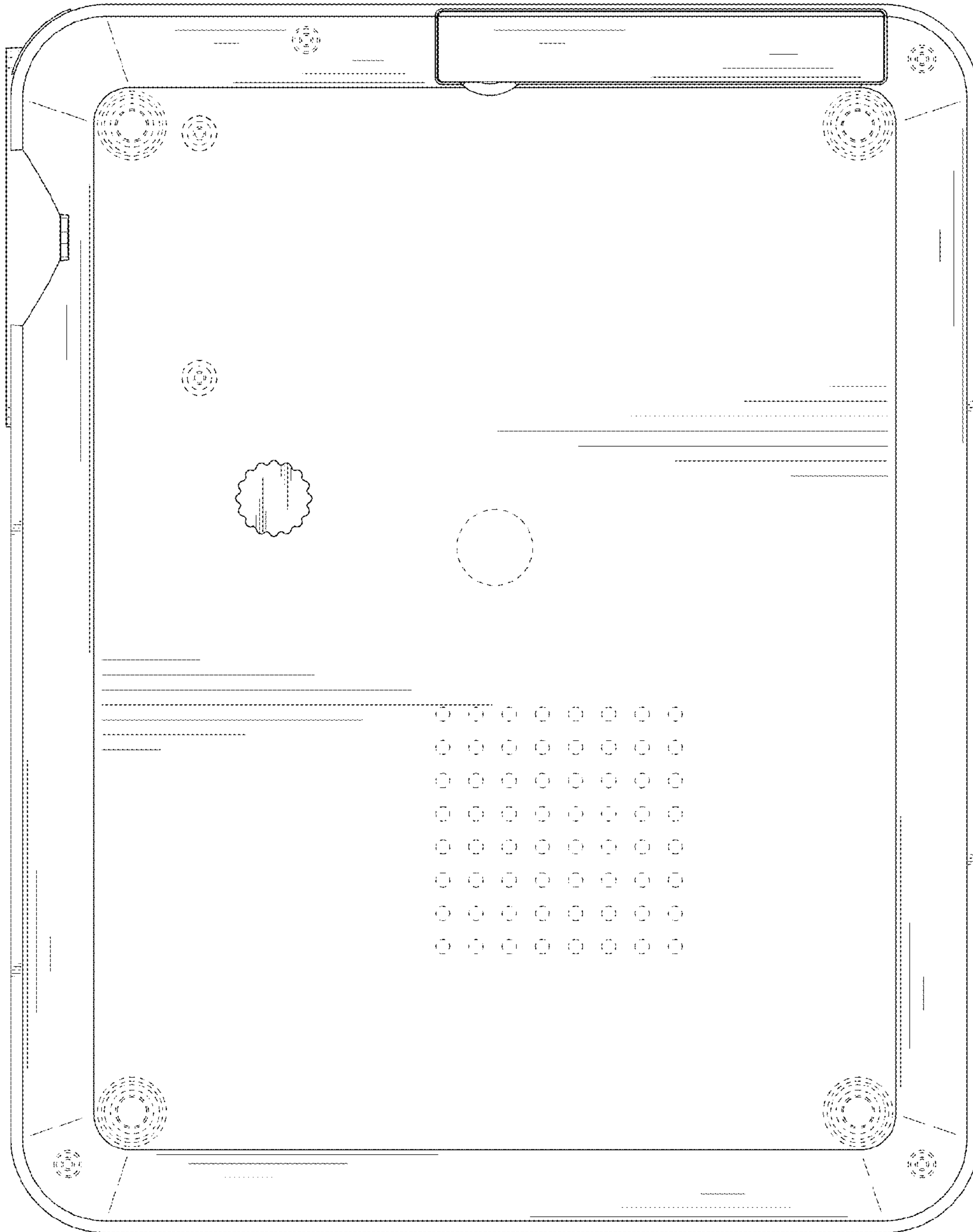


FIG. 8

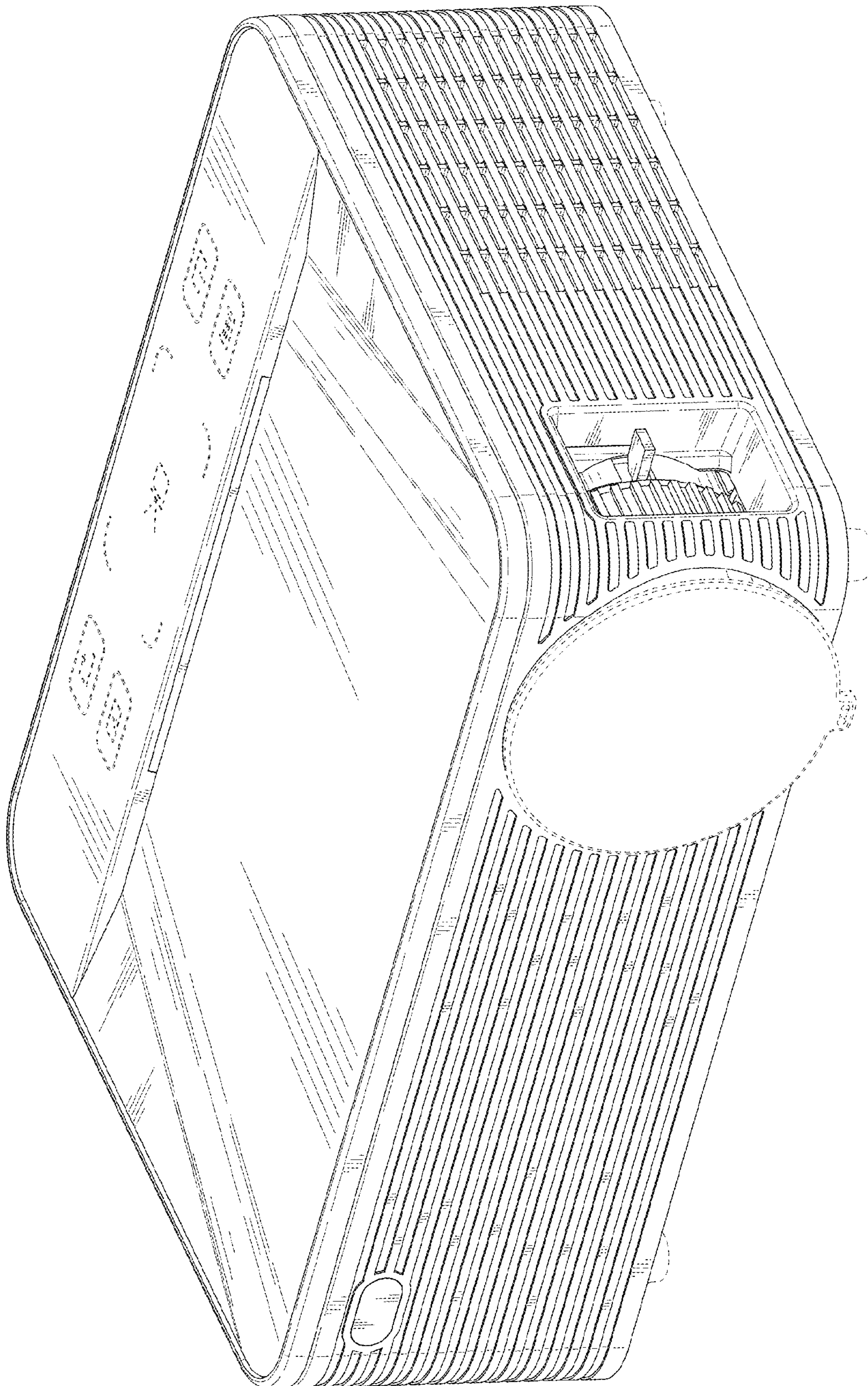


FIG. 9

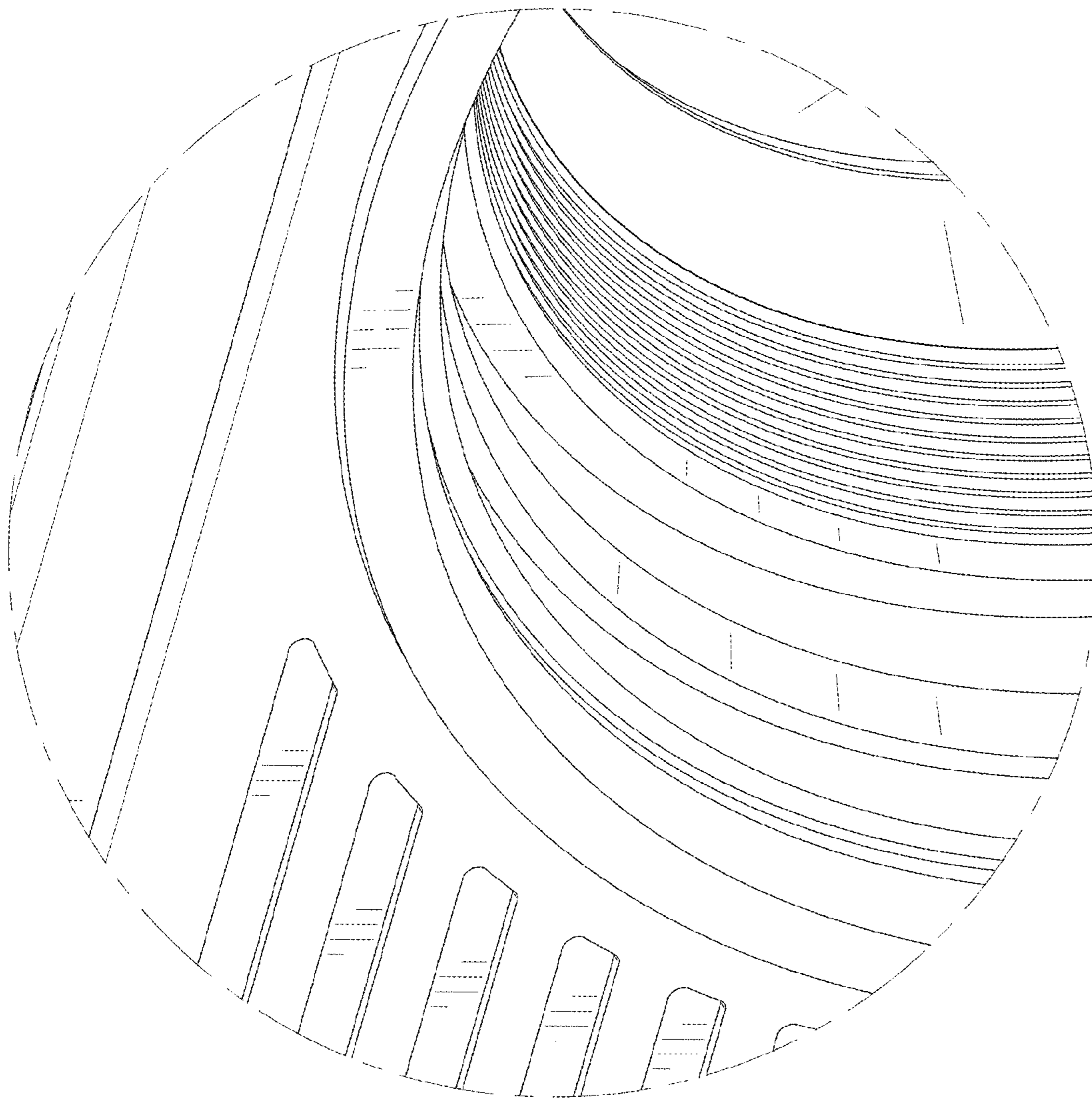


FIG. 10

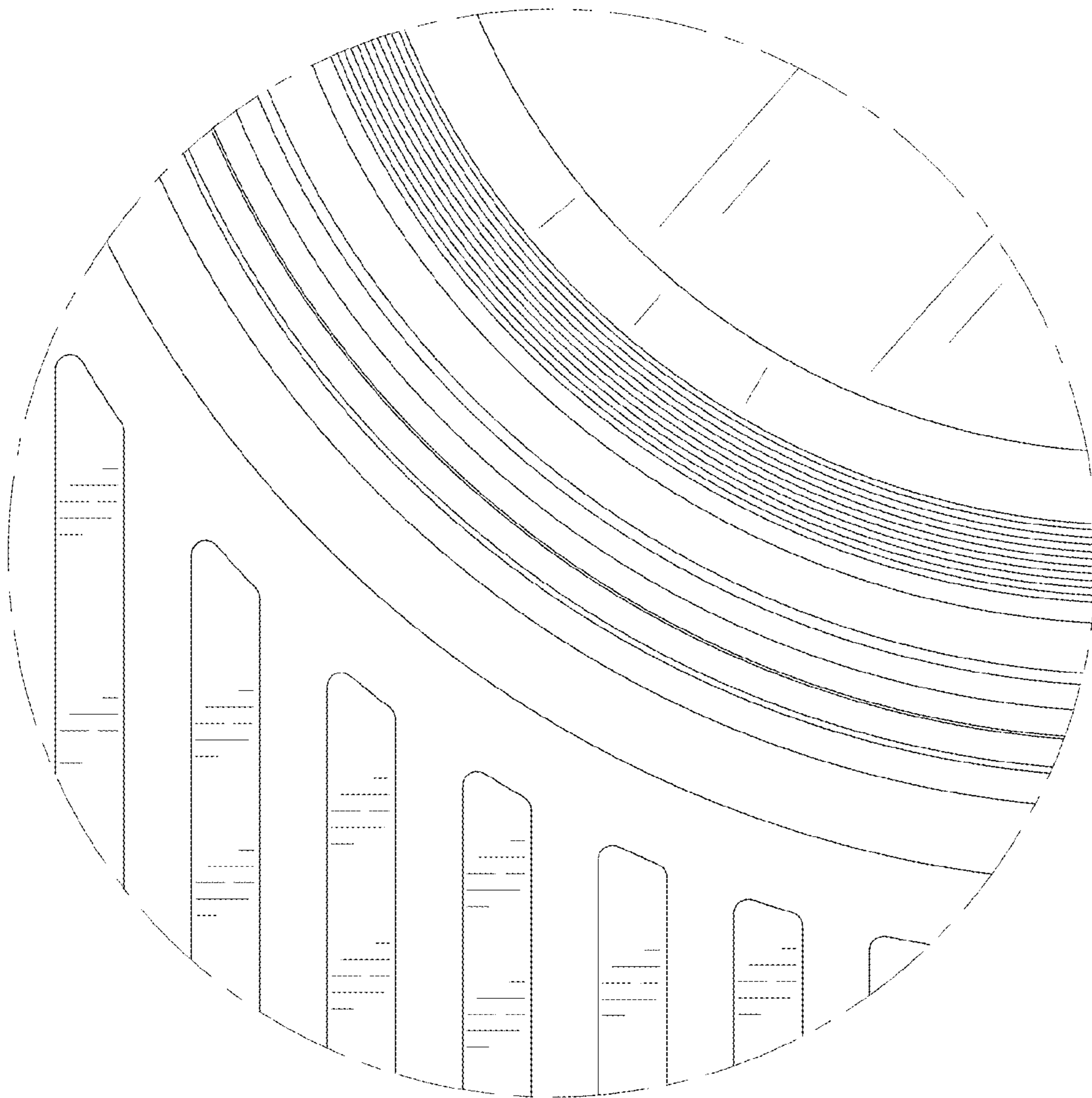


FIG. 11