

US00D949949S

(12) **United States Design Patent**  
**Liu**

(10) **Patent No.:** **US D949,949 S**

(45) **Date of Patent:** **\*\* Apr. 26, 2022**

(54) **PROJECTOR**

(71) Applicant: **SHENZHEN QIANHAI PATUOXUN NETWORK AND TECHNOLOGY CO., LTD.**, Shenzhen (CN)

(72) Inventor: **Mengchang Liu**, Shenzhen (CN)

(73) Assignee: **SHENZHEN QIANHAI PATUOXUN NETWORK AND TECHNOLOGY CO., LTD.**, Shenzhen (CN)

(\*\*) Term: **15 Years**

(21) Appl. No.: **29/778,155**

(22) Filed: **Apr. 12, 2021**

(51) **LOC (13) Cl.** ..... **16-02**

(52) **U.S. Cl.**  
USPC ..... **D16/225; D16/230**

(58) **Field of Classification Search**  
USPC ..... D16/221, 225, 230–231, 234; D21/514  
CPC ..... G03B 21/145; G03B 21/14; G03B 21/16;  
G03B 21/00; G03B 21/001; G03B 21/003  
See application file for complete search history.

(56) **References Cited**

**U.S. PATENT DOCUMENTS**

D463,475 S \* 9/2002 Kawashima ..... D16/225  
D463,476 S \* 9/2002 Takizawa ..... D16/225

D480,408 S \* 10/2003 Kawashima ..... D16/225  
D520,551 S 5/2006 Salvatori et al.  
D554,173 S \* 10/2007 Naruki ..... D16/225  
D557,317 S 12/2007 Schoenert et al.  
D608,814 S \* 1/2010 Nagase ..... D16/230  
D638,048 S \* 5/2011 Kim ..... D16/230  
D688,724 S \* 8/2013 Tsukahara ..... D16/225

\* cited by examiner

*Primary Examiner* — Wan Laymon

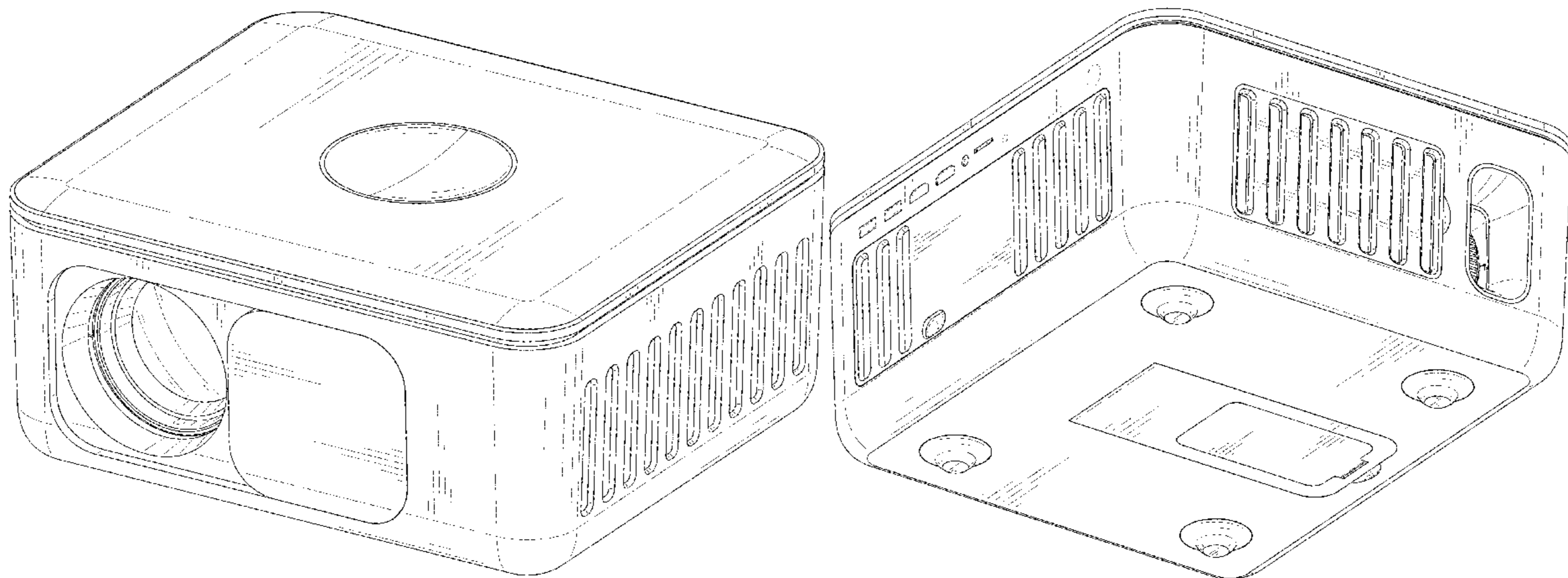
(57) **CLAIM**

The ornamental design for a projector, as shown and described.

**DESCRIPTION**

FIG. 1 is a perspective view of a projector showing my new design;  
FIG. 2 is another perspective view thereof;  
FIG. 3 is a front elevational view thereof;  
FIG. 4 is a rear elevational view thereof;  
FIG. 5 is a left side elevational view thereof;  
FIG. 6 is a right side elevational view thereof;  
FIG. 7 is a top plan view thereof; and,  
FIG. 8 is a bottom plan view thereof.  
The broken lines in the drawings depict portions of the projector that form no part of the claimed design.

**1 Claim, 8 Drawing Sheets**



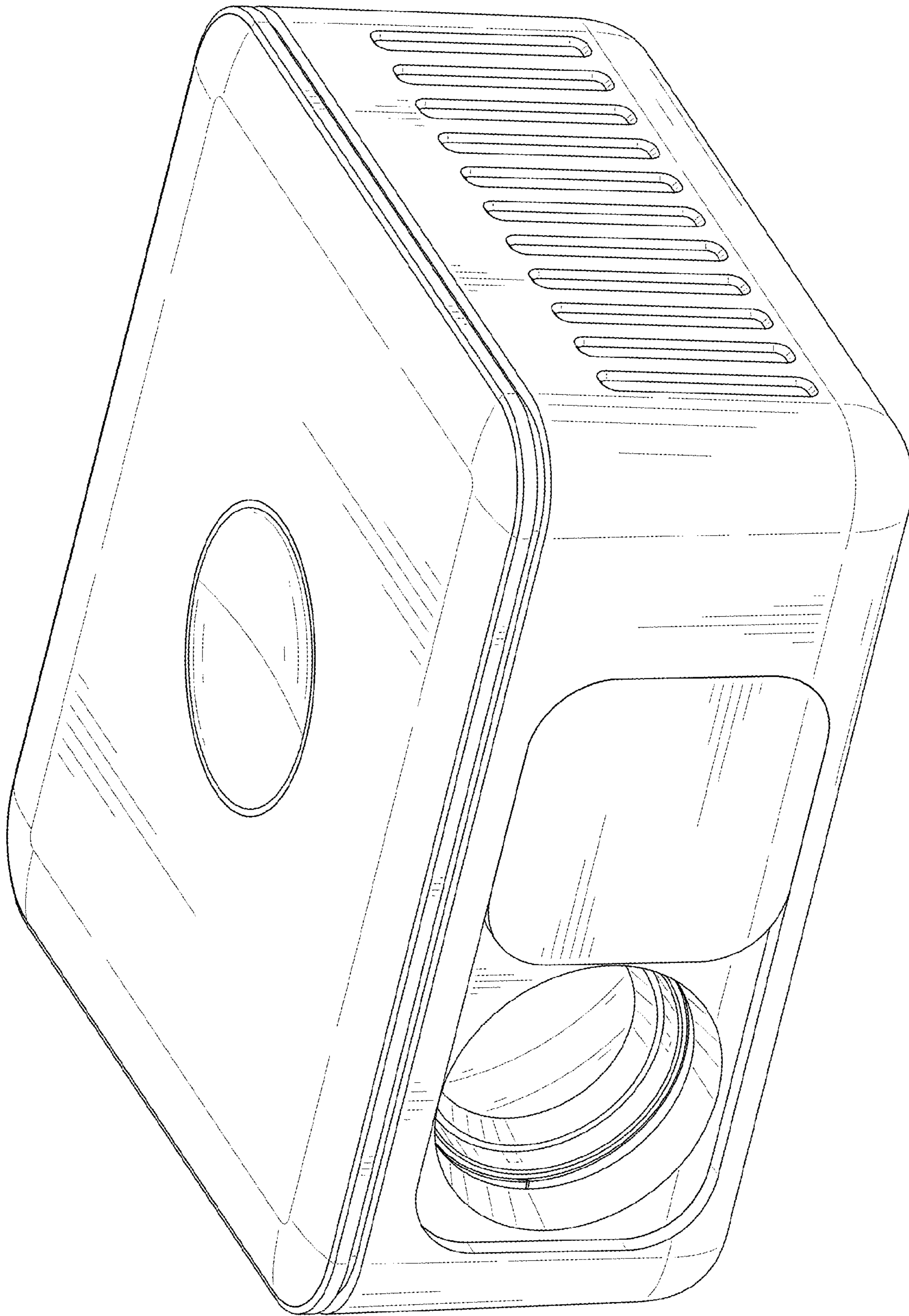


FIG. 1

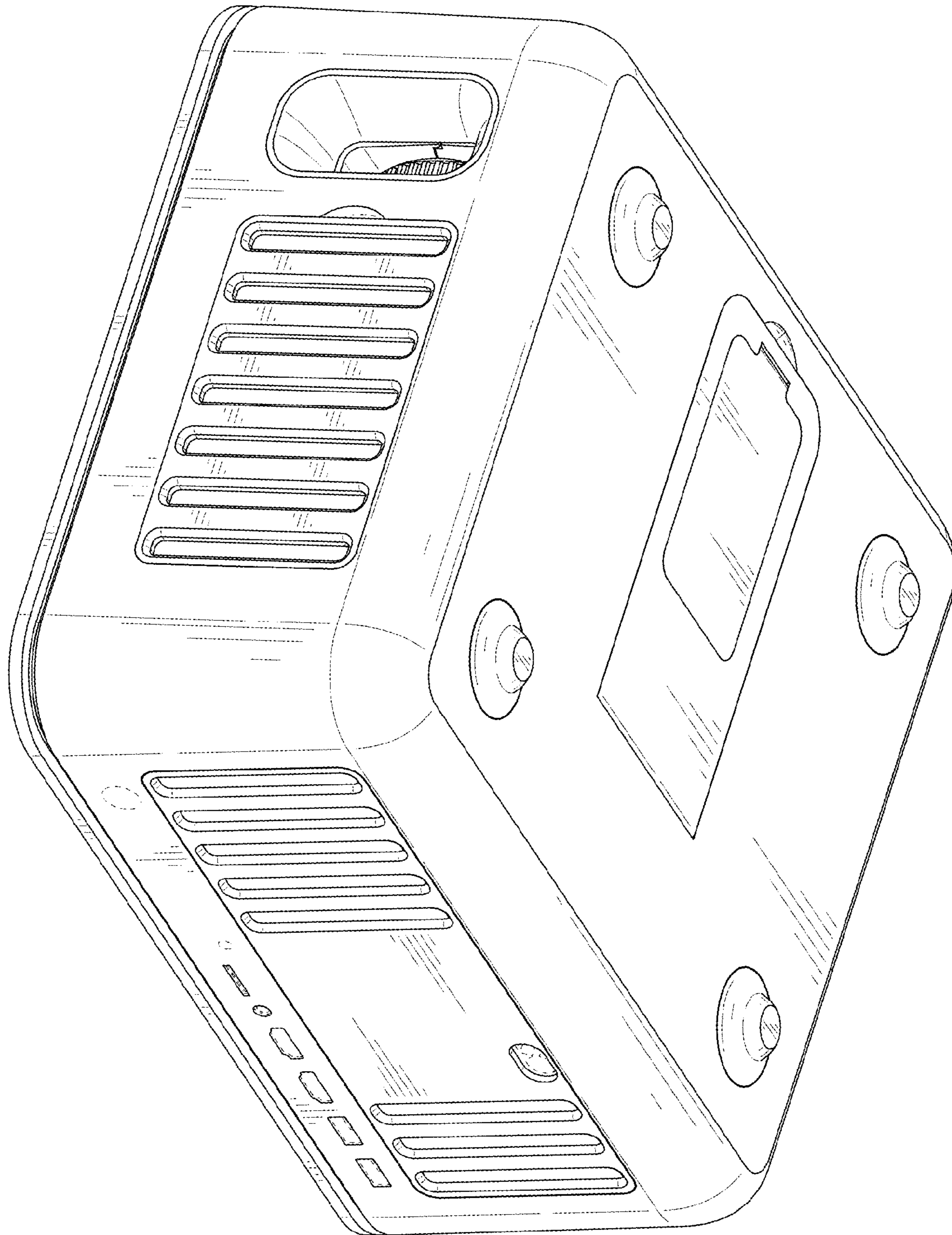


FIG. 2

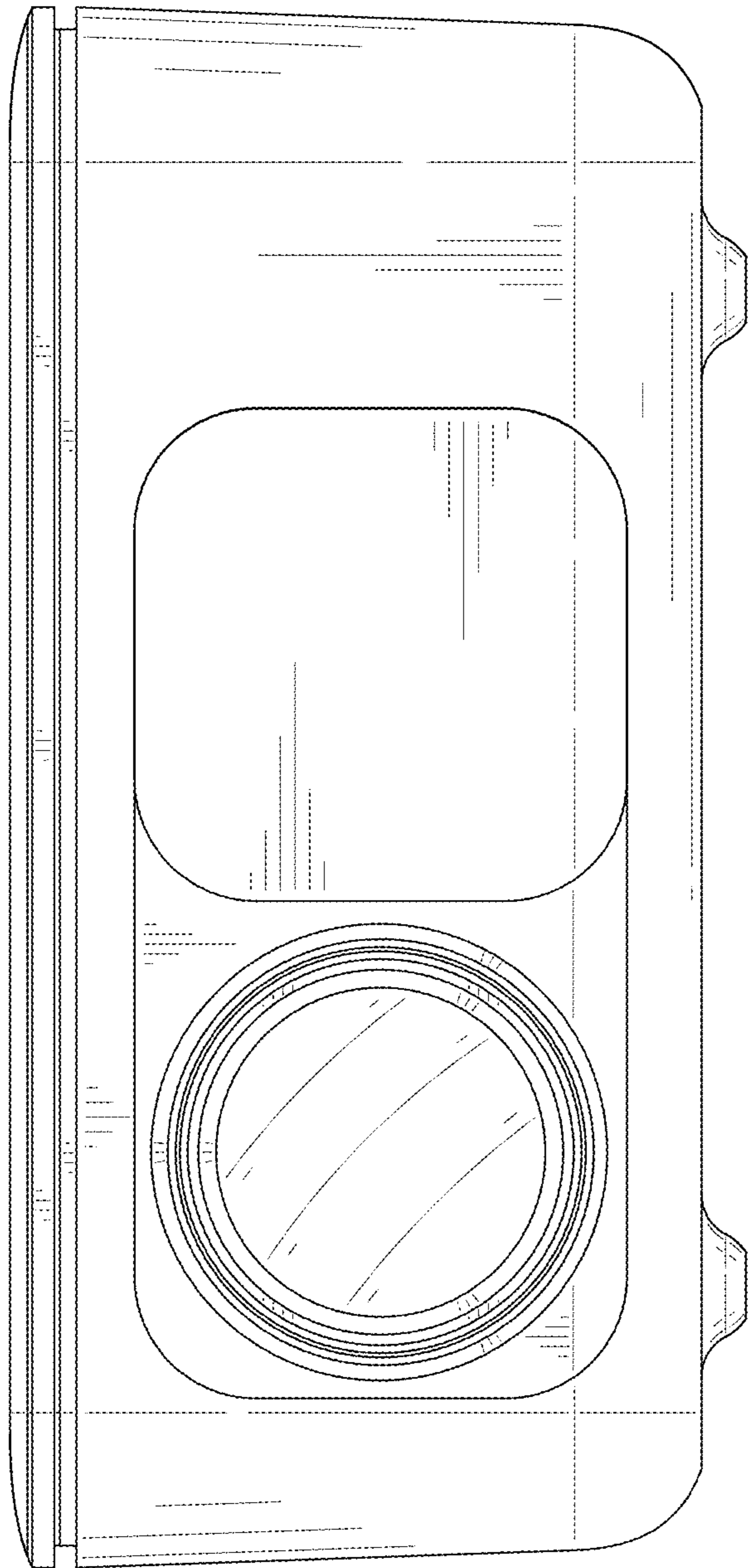


FIG. 3

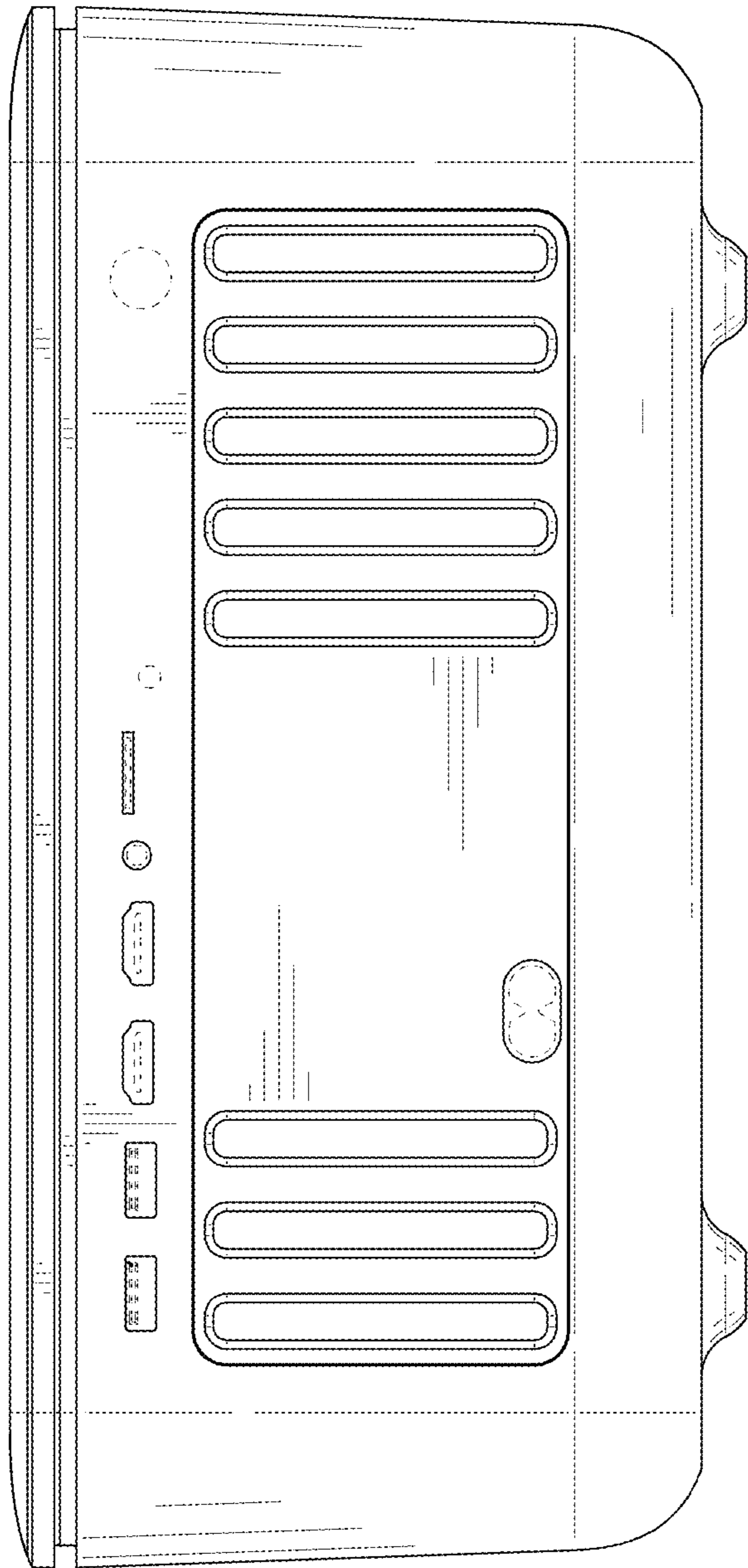


FIG. 4

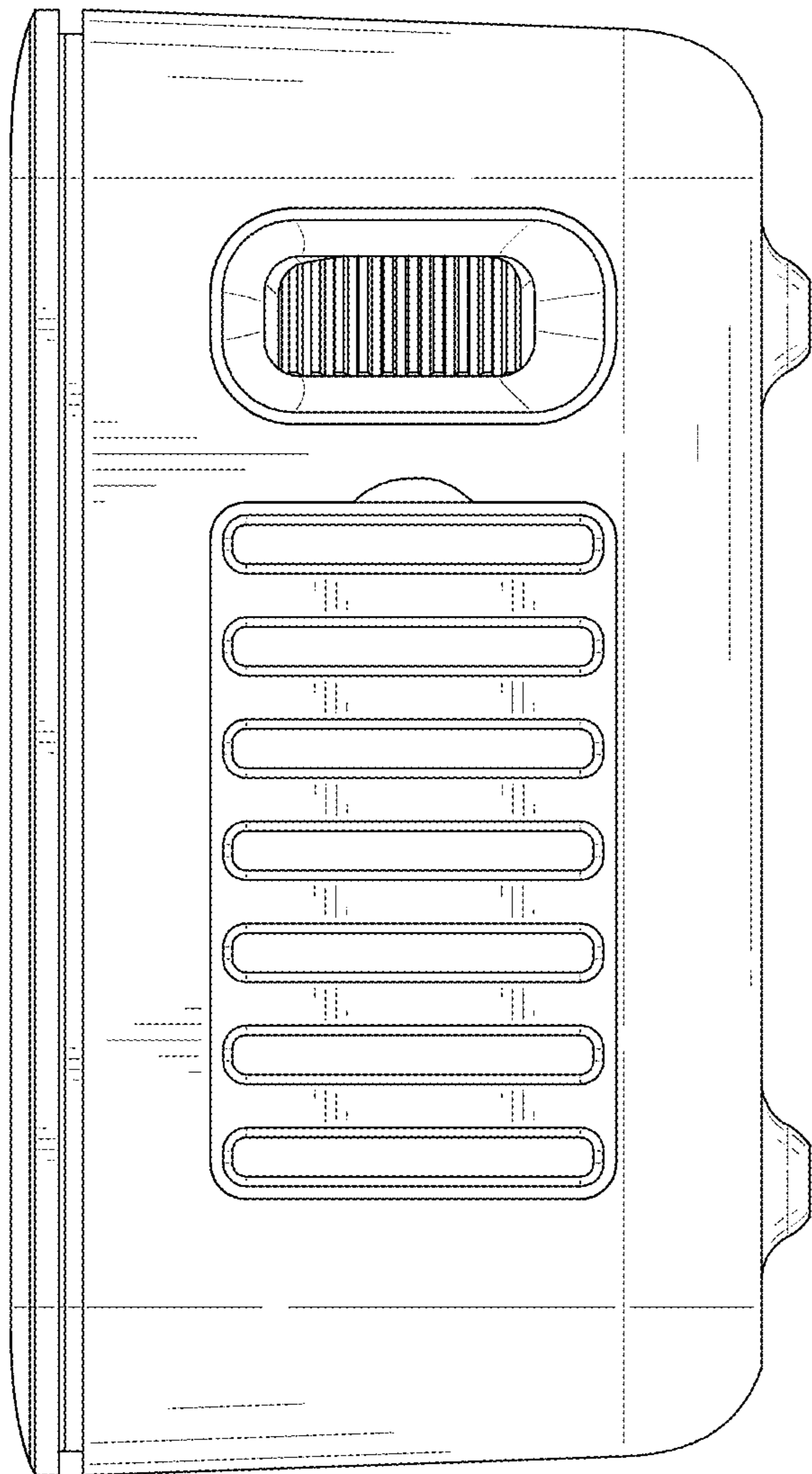


FIG. 5

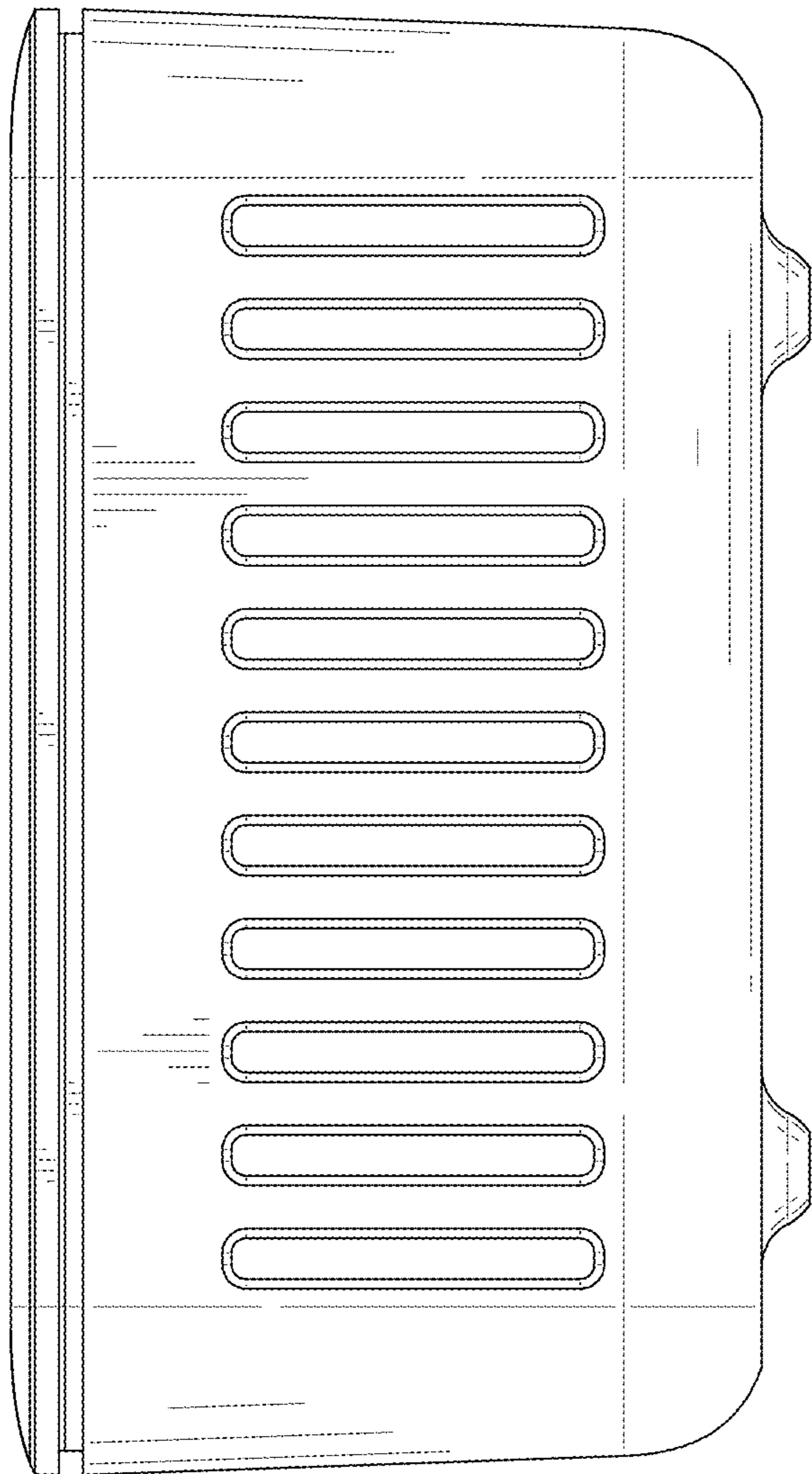


FIG. 6

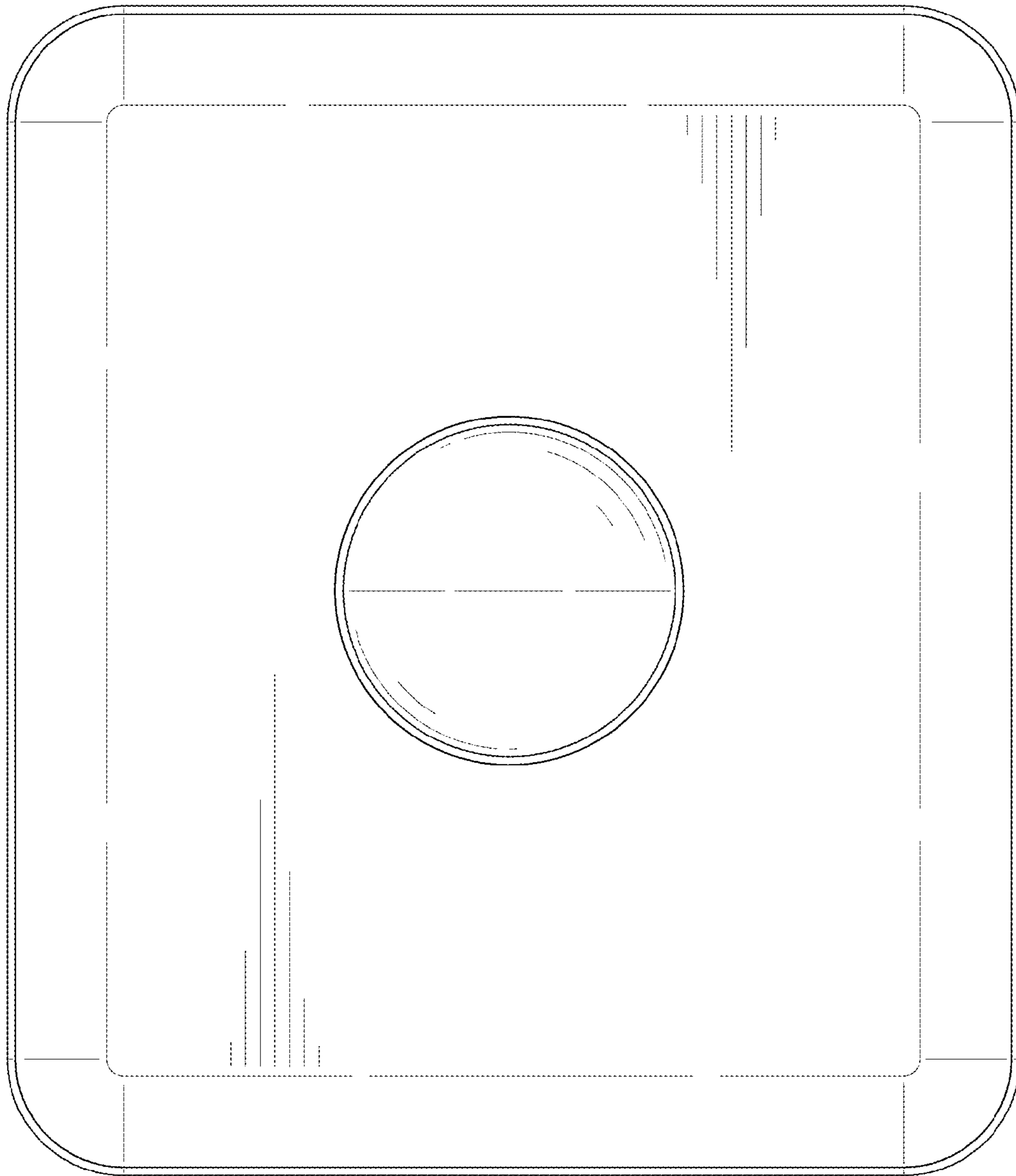


FIG. 7



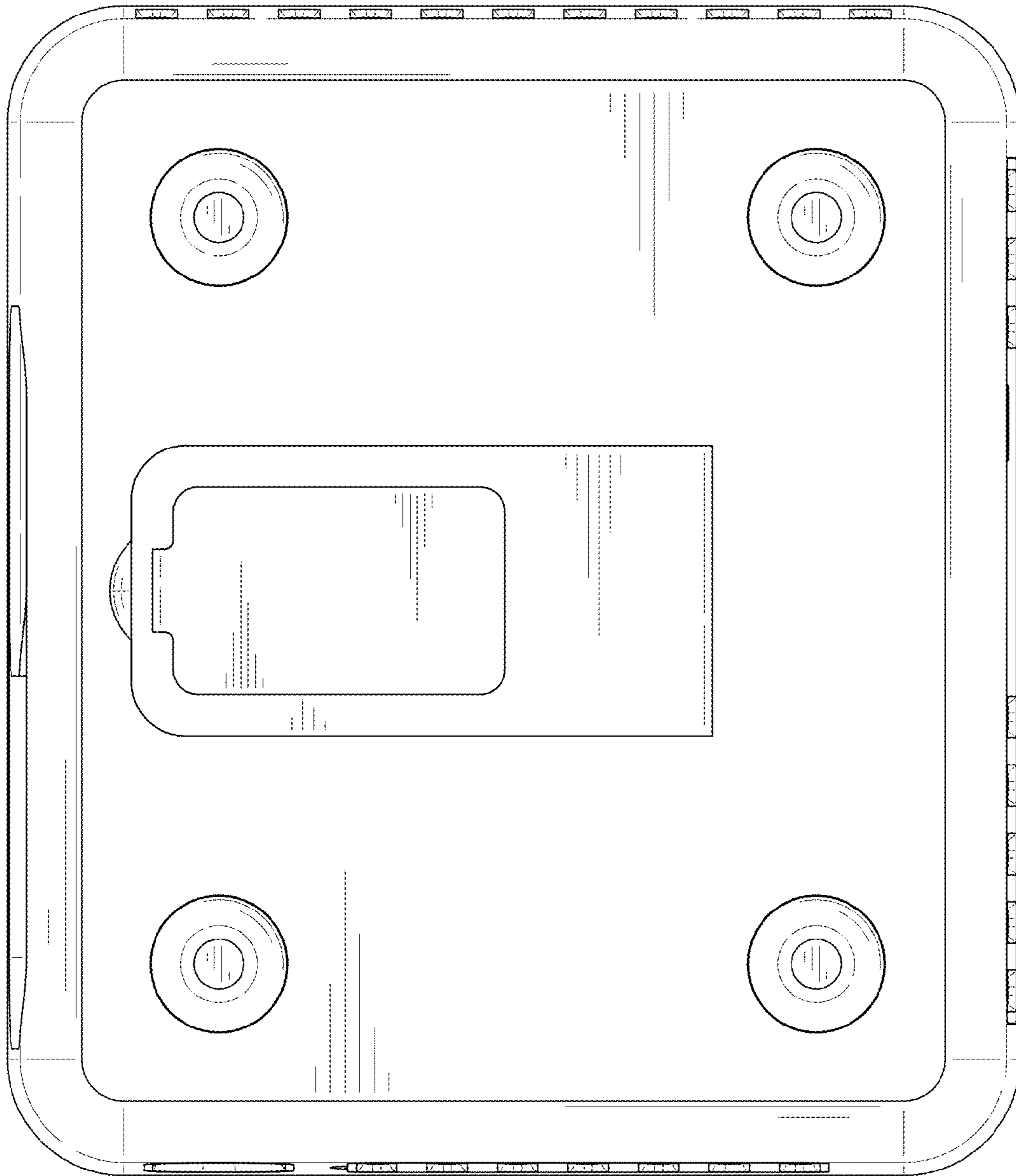


FIG. 8