



US00D949948S

(12) **United States Design Patent**  
**Lee et al.**

(10) **Patent No.:** **US D949,948 S**

(45) **Date of Patent:** **\*\* Apr. 26, 2022**

(54) **PROJECTOR**

(71) Applicant: **LG ELECTRONICS INC.**, Seoul  
(KR)

(72) Inventors: **Eunbong Lee**, Seoul (KR); **Daihyung Ryu**, Seoul (KR)

(73) Assignee: **LG ELECTRONICS INC.**, Seoul  
(KR)

(\*\*) Term: **15 Years**

(21) Appl. No.: **35/509,864**

(22) Filed: **Jan. 22, 2020**

(80) **Hague Agreement Data**

Int. Filing Date: **Jan. 22, 2020**

Int. Reg. No.: **DM/205932**

Int. Reg. Date: **Jan. 22, 2020**

Int. Reg. Pub. Date: **Jul. 24, 2020**

(30) **Foreign Application Priority Data**

Aug. 23, 2019 (KR) ..... 30-2019-0040429

(51) **LOC (13) Cl.** ..... **16-02**

(52) **U.S. Cl.**  
USPC ..... **D16/221**

(58) **Field of Classification Search**

USPC ..... D16/221, 225, 229-231, 234-235;  
D14/496, 125, 135, 188

CPC .... G03B 21/00; G03B 21/001; G03B 21/003;  
G03B 21/12; G03B 21/14; G03B 21/145

See application file for complete search history.

(56) **References Cited**

**U.S. PATENT DOCUMENTS**

D356,103 S \* 3/1995 Saeki ..... D16/221

D365,587 S \* 12/1995 Saeki ..... D16/221

D374,024 S *	9/1996	Onoda	.....	D16/221
D387,795 S *	12/1997	Sakamoto	.....	D16/221
D389,503 S *	1/1998	Shimizu	.....	D16/221
D391,592 S *	3/1998	Sakamoto	.....	D16/221
D392,302 S *	3/1998	Oota	.....	D16/221
D400,903 S *	11/1998	Miyagawa	.....	D16/225
D402,679 S *	12/1998	Kawamoto	.....	D16/234
D450,076 S *	11/2001	Fujimaki	.....	D16/225
D516,109 S *	2/2006	Naruki	.....	D16/225
D545,865 S *	7/2007	Azuma	.....	D16/221
D548,264 S *	8/2007	Sakamaki	.....	D16/221
D548,764 S *	8/2007	Ogino	.....	D16/221
D551,690 S *	9/2007	Kawabe	.....	D16/221
D553,172 S *	10/2007	Azuma	.....	D16/225
D600,735 S *	9/2009	Chigira	.....	D16/225
D727,996 S *	4/2015	Ogawa	.....	D16/230

\* cited by examiner

*Primary Examiner* — Holly E Thurman

(74) *Attorney, Agent, or Firm* — Birch, Stewart, Kolasch & Birch, LLP

(57) **CLAIM**

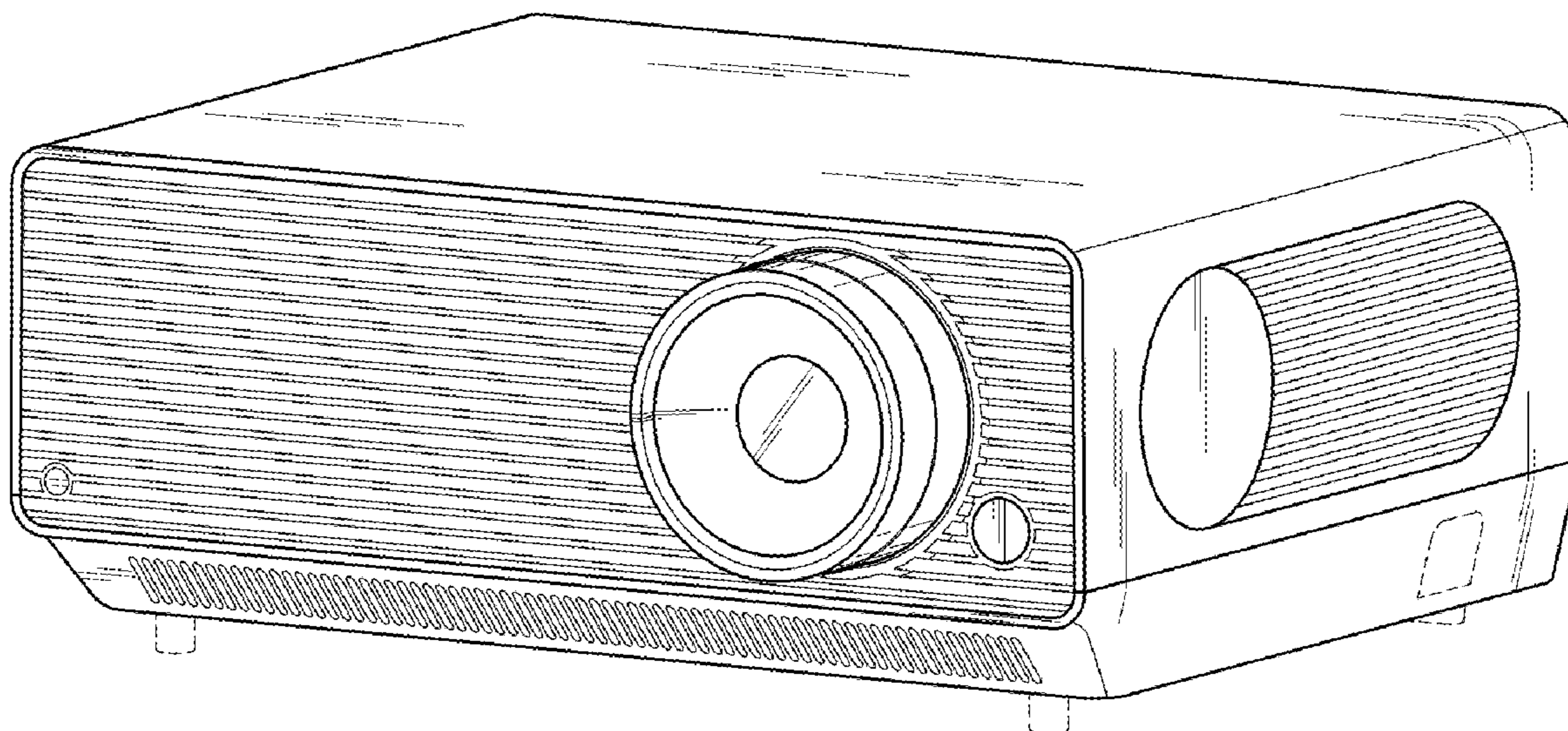
The ornamental design for a projector, as shown and described.

**DESCRIPTION**

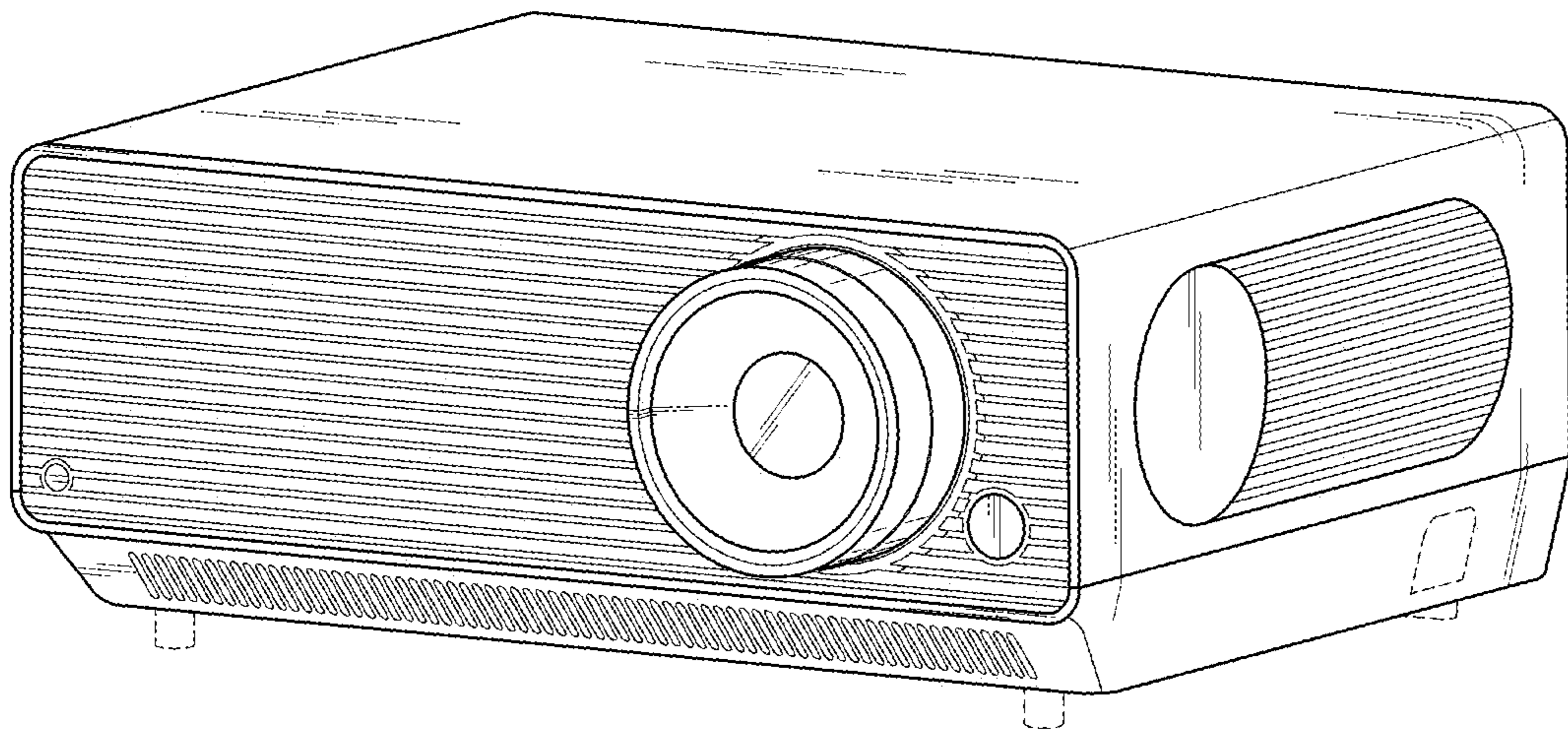
- 1. Projector
- 1.1 : Perspective
- 1.2 : Front
- 1.3 : Back
- 1.4 : Left
- 1.5 : Right
- 1.6 : Top
- 1.7 : Bottom

The parts shown by means of broken lines in the reproductions are not part of the claimed design.

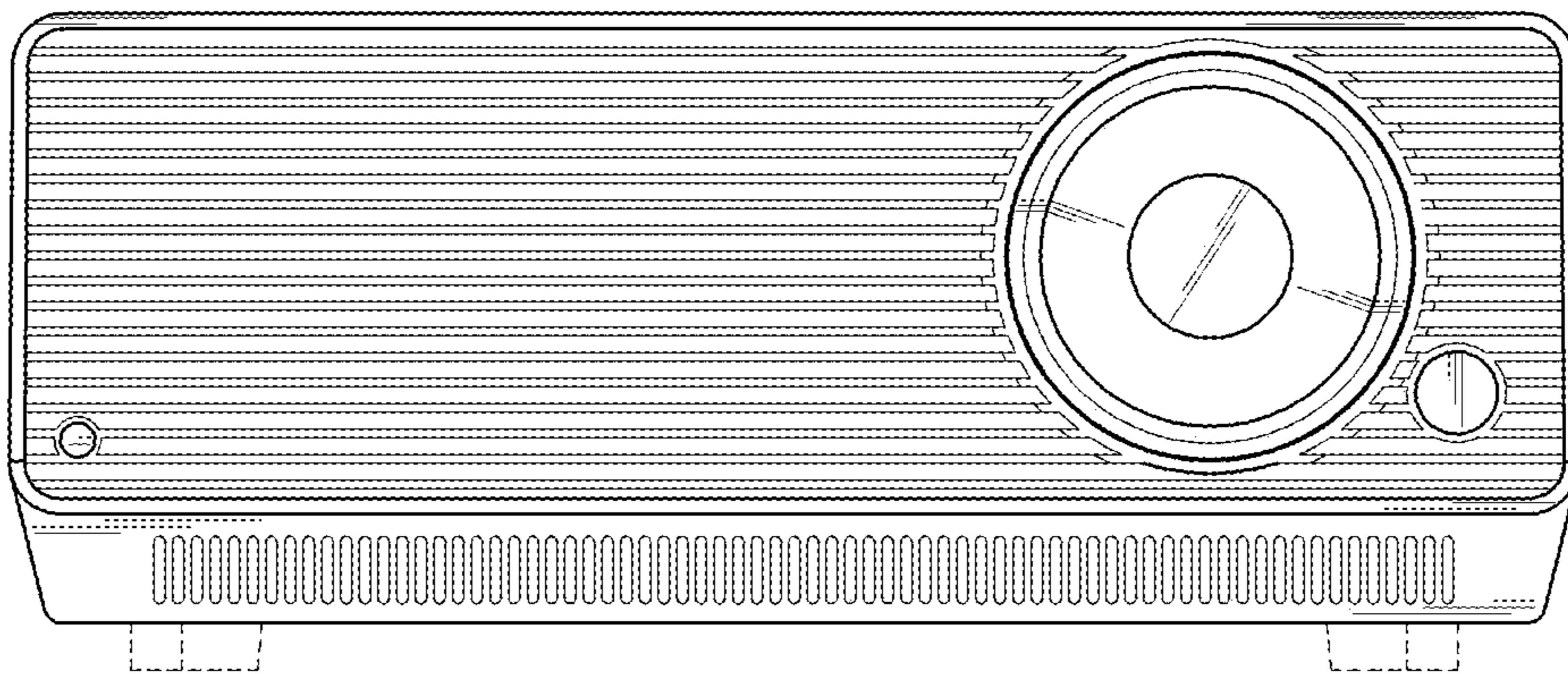
**1 Claim, 7 Drawing Sheets**



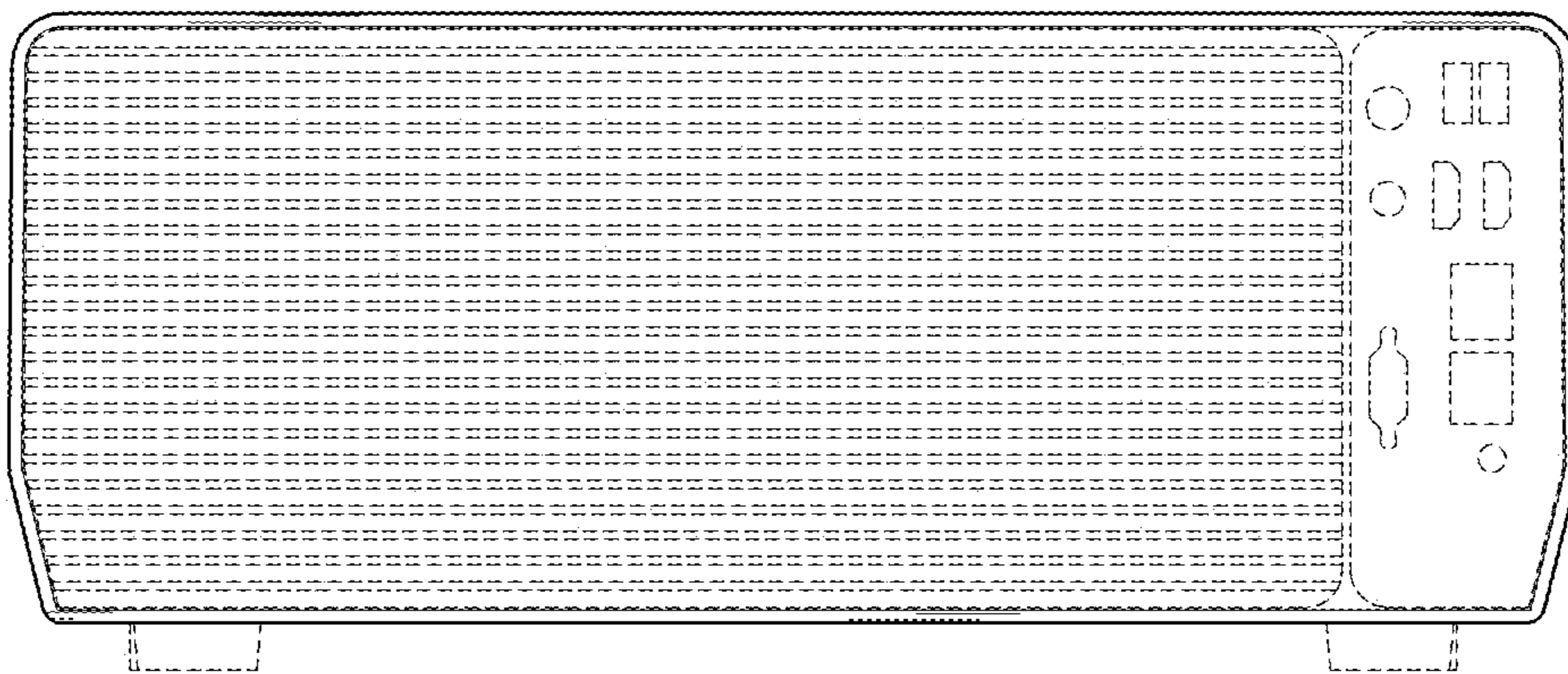
1.1



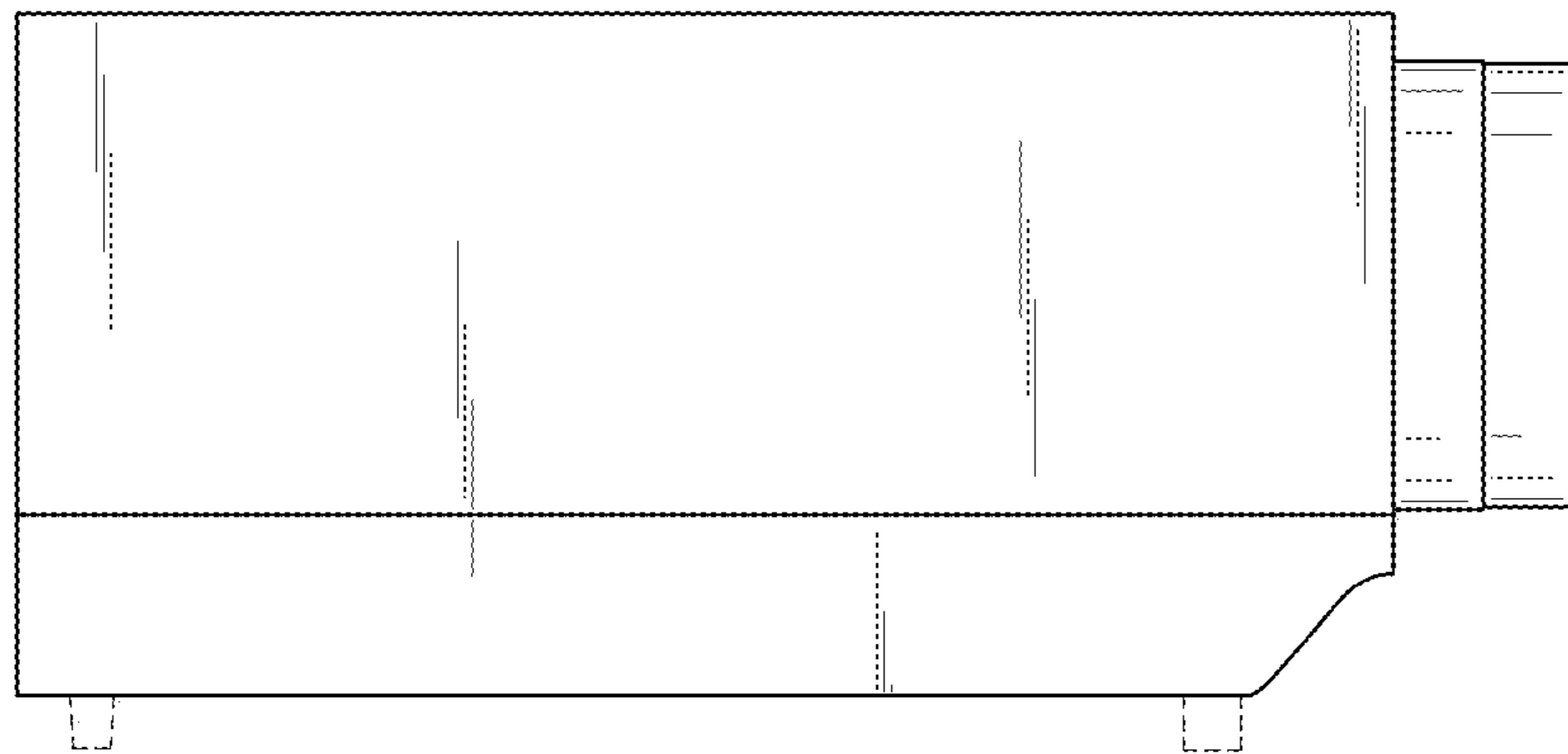
1.2



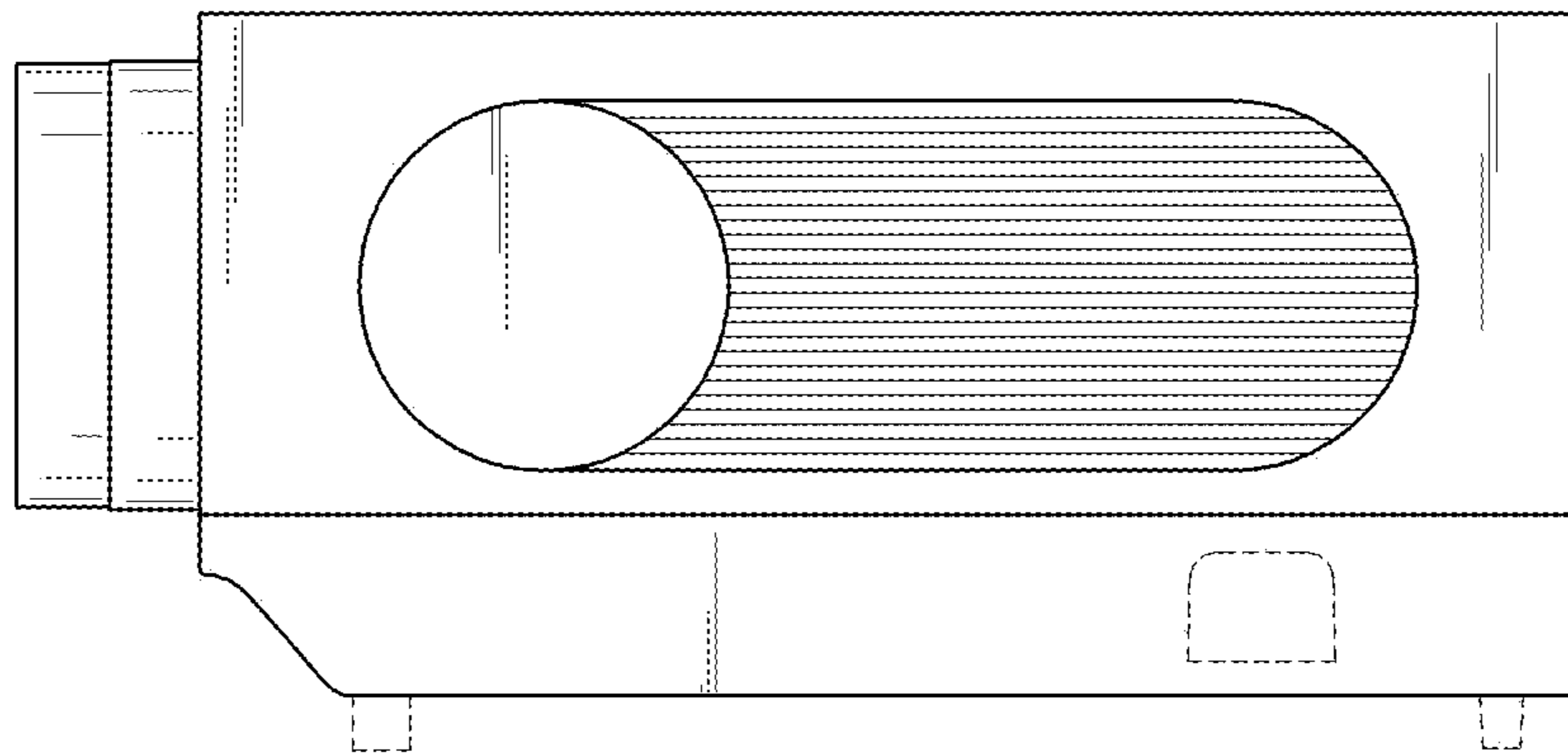
1.3



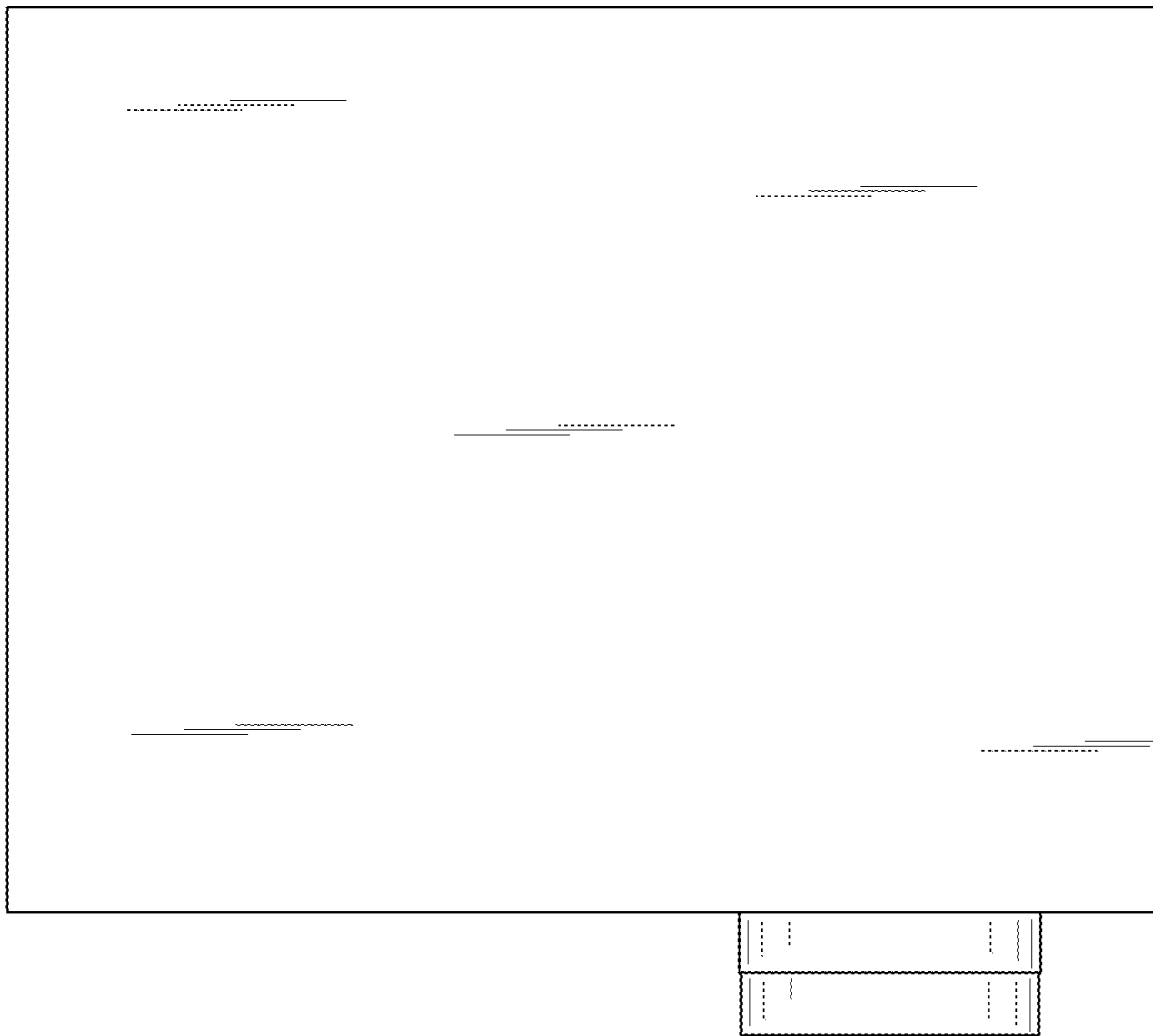
1.4



1.5



1.6



1.7

