



US00D949947S

(12) **United States Design Patent**  
**Ryu et al.**

(10) **Patent No.:** **US D949,947 S**

(45) **Date of Patent:** **\*\* Apr. 26, 2022**

(54) **PROJECTOR**

(71) Applicant: **LG ELECTRONICS INC.**, Seoul  
(KR)

(72) Inventors: **Daihyung Ryu**, Seoul (KR); **Eunbong Lee**, Seoul (KR)

(73) Assignee: **LG ELECTRONICS INC.**, Seoul  
(KR)

(\*\*) Term: **15 Years**

(21) Appl. No.: **35/509,723**

(22) Filed: **Jun. 8, 2020**

(80) **Hague Agreement Data**

Int. Filing Date: **Jun. 8, 2020**

Int. Reg. No.: **DM/208820**

Int. Reg. Date: **Jun. 8, 2020**

Int. Reg. Pub. Date: **Jul. 3, 2020**

(51) **LOC (13) Cl.** ..... **16-02**

(52) **U.S. Cl.**  
USPC ..... **D16/221**

(58) **Field of Classification Search**  
USPC ..... D16/221, 225, 229-231, 234-235;  
D14/496, 125, 135, 188  
CPC .... G03B 21/00; G03B 21/001; G03B 21/003;  
G03B 21/12; G03B 21/14; G03B 21/145  
See application file for complete search history.

(56) **References Cited**

**U.S. PATENT DOCUMENTS**

D439,923 S *	4/2001	Kawamoto	.....	D16/231
D467,604 S *	12/2002	Niitsu	.....	D16/230
D473,253 S *	4/2003	Shimamoto	.....	D16/225
D477,833 S *	7/2003	Kurokawa	.....	D16/225
D498,781 S *	11/2004	Azuma	.....	D16/225
D504,453 S *	4/2005	Junsi	.....	D16/230
D506,770 S *	6/2005	Saeki	.....	D16/225

D542,828 S *	5/2007	Tsukahara	.....	D16/221
D545,339 S *	6/2007	Naruki	.....	D16/221
D545,861 S *	7/2007	Naruki	.....	D16/221
D550,268 S *	9/2007	Naruki	.....	D16/221
D550,269 S *	9/2007	Salvatori	.....	D16/221
D551,690 S *	9/2007	Kawabe	.....	D16/221
D551,691 S *	9/2007	Sakamaki	.....	D16/221
D564,566 S *	3/2008	Naruki	.....	D16/225
D565,629 S *	4/2008	Morishita	.....	D16/225
D565,631 S *	4/2008	Morishita	.....	D16/230
D569,892 S *	5/2008	Fujita	.....	D16/230
D598,944 S *	8/2009	Collet	.....	D16/221
D600,735 S *	9/2009	Chigira	.....	D16/225
D606,110 S *	12/2009	Inoue	.....	D16/225
D631,080 S *	1/2011	Han	.....	D16/225
D711,955 S *	8/2014	Lin	.....	D16/235
D738,949 S *	9/2015	Okamoto	.....	D16/230
D850,518 S *	6/2019	Gan	.....	D16/230
D854,072 S *	7/2019	Gan	.....	D16/230
D854,073 S *	7/2019	Gan	.....	D16/230
D923,078 S *	6/2021	Ryu	.....	D16/230
D924,308 S *	7/2021	Li	.....	D16/230

\* cited by examiner

*Primary Examiner* — Holly E Thurman

(74) *Attorney, Agent, or Firm* — Birch, Stewart, Kolasch & Birch, LLP

(57) **CLAIM**

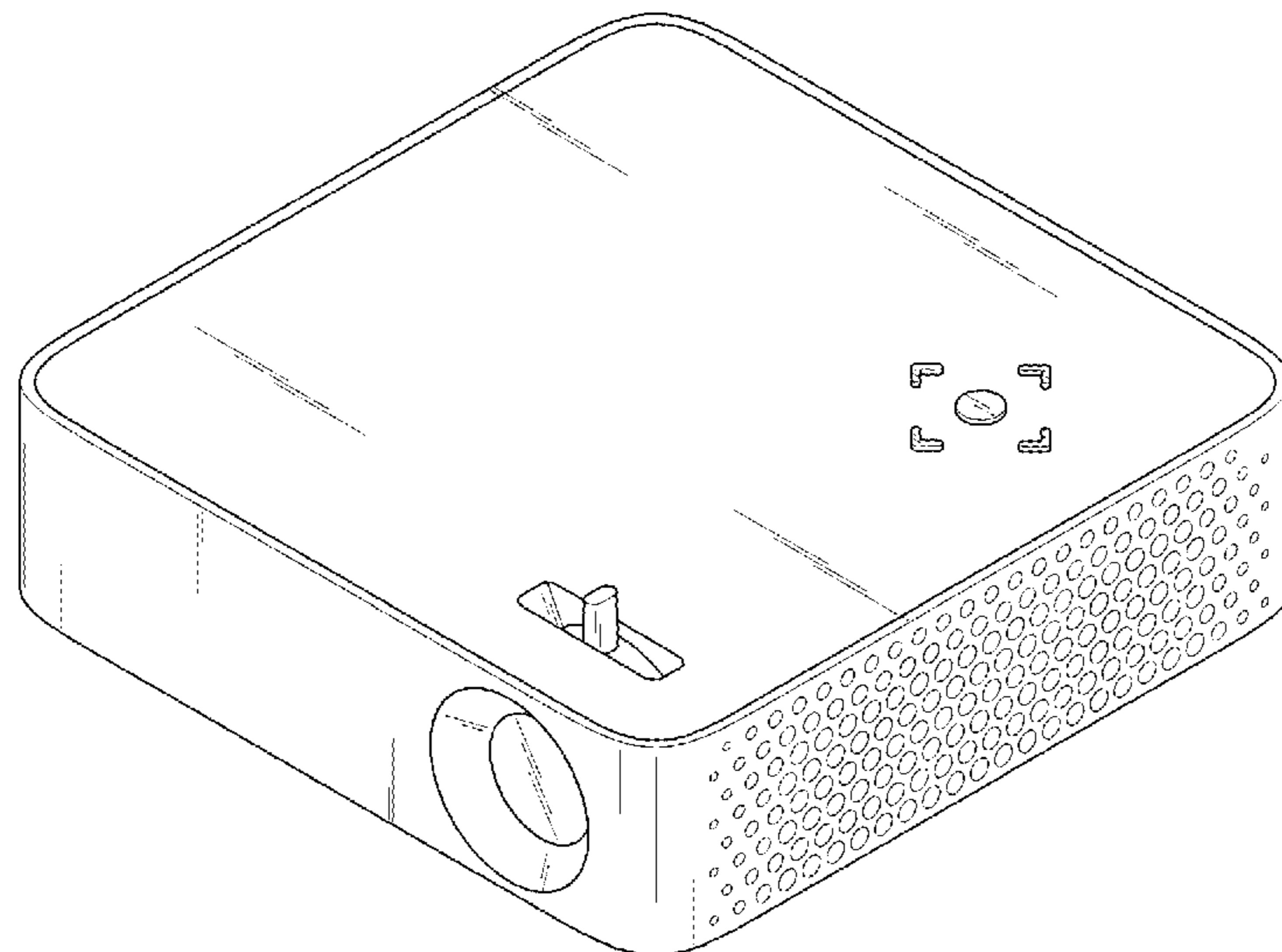
The ornamental design for a projector, as shown and described.

**DESCRIPTION**

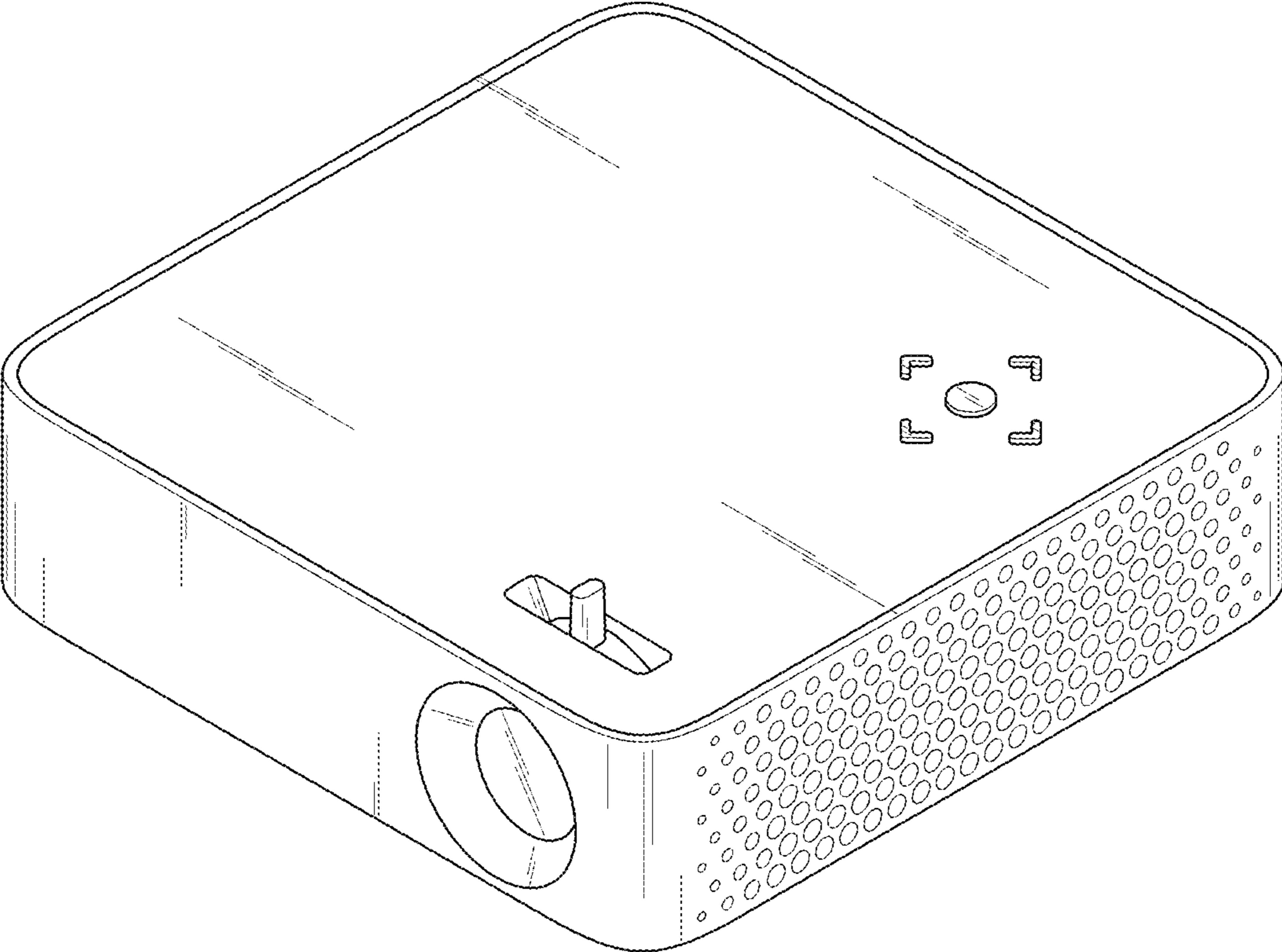
- 1. Projector
- 1.1 : Perspective
- 1.2 : Front
- 1.3 : Back
- 1.4 : Left
- 1.5 : Right
- 1.6 : Top
- 1.7 : Bottom

The parts shown by means of broken lines in the reproductions are not part of the claimed design.

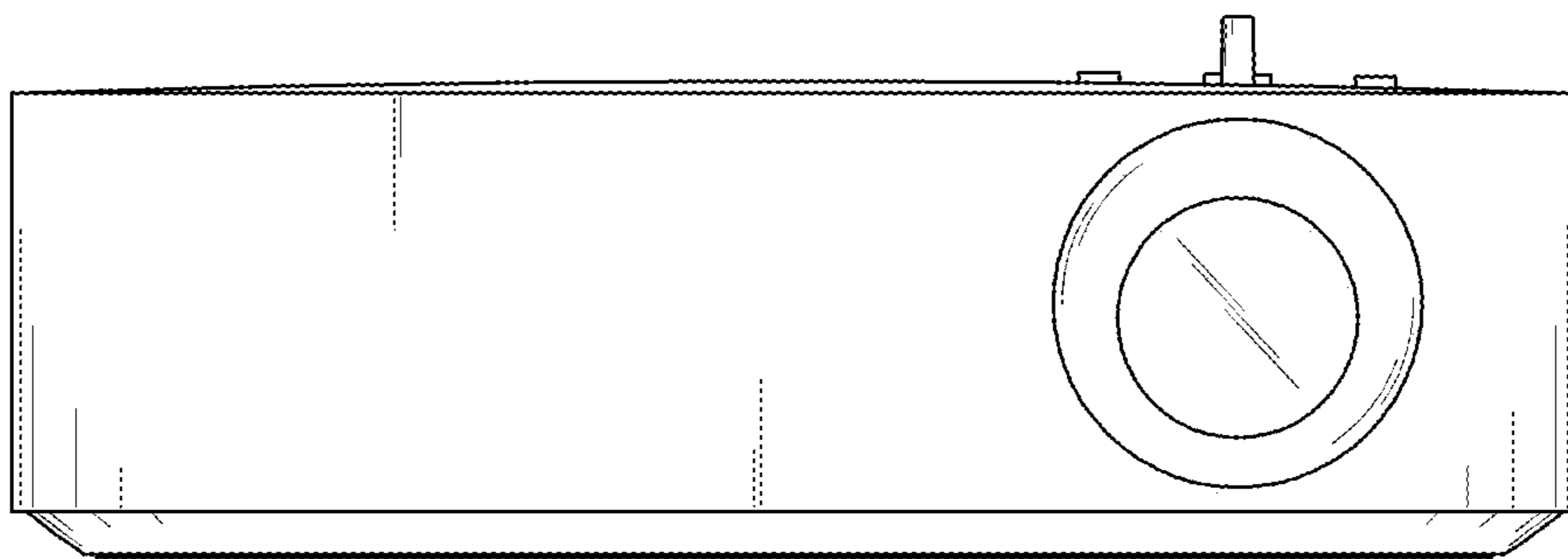
**1 Claim, 7 Drawing Sheets**



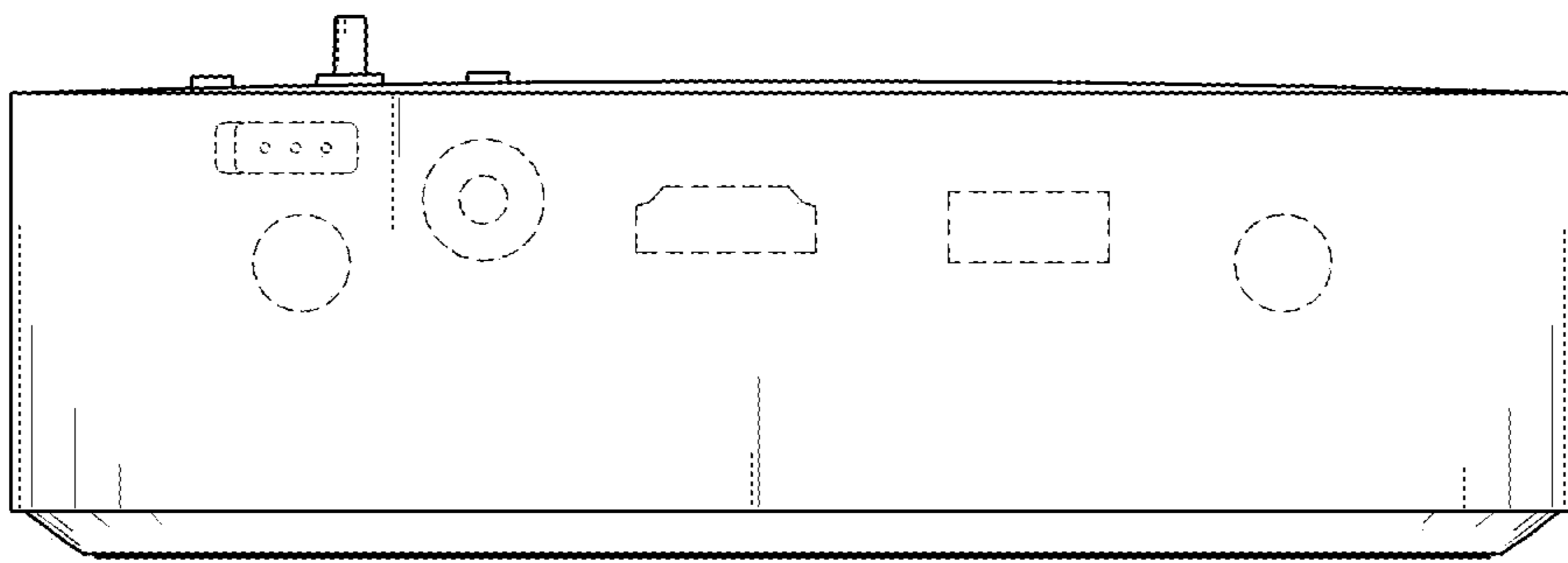
1.1



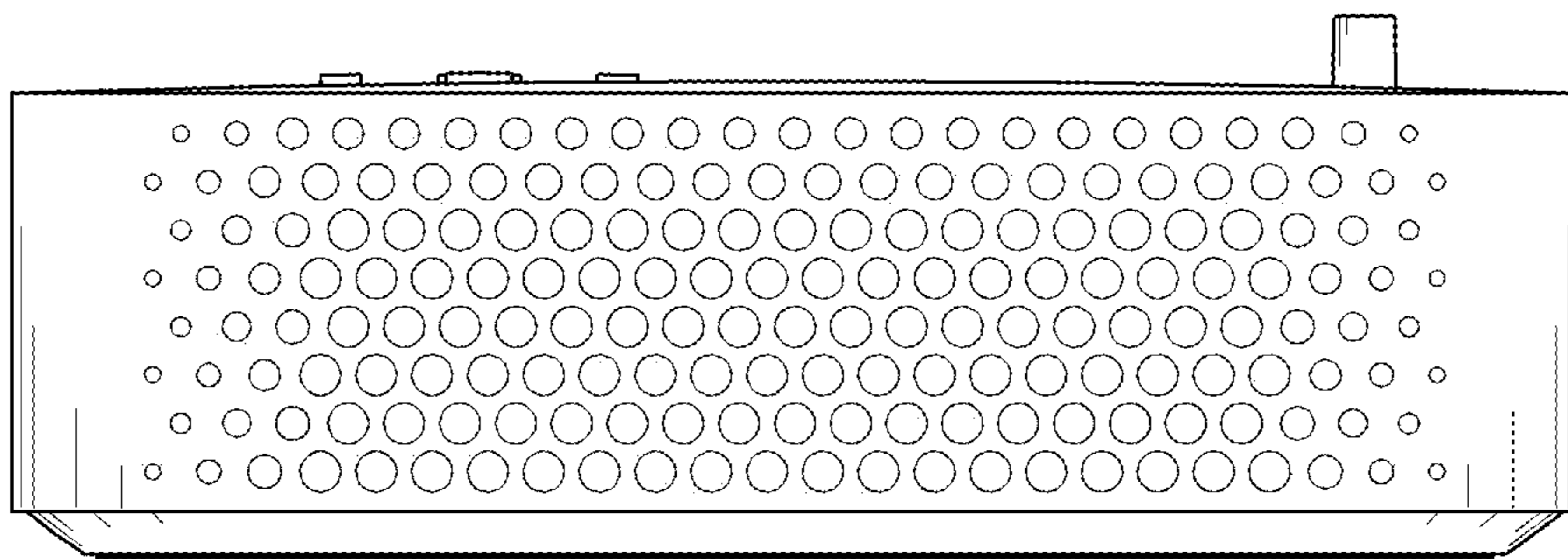
1.2



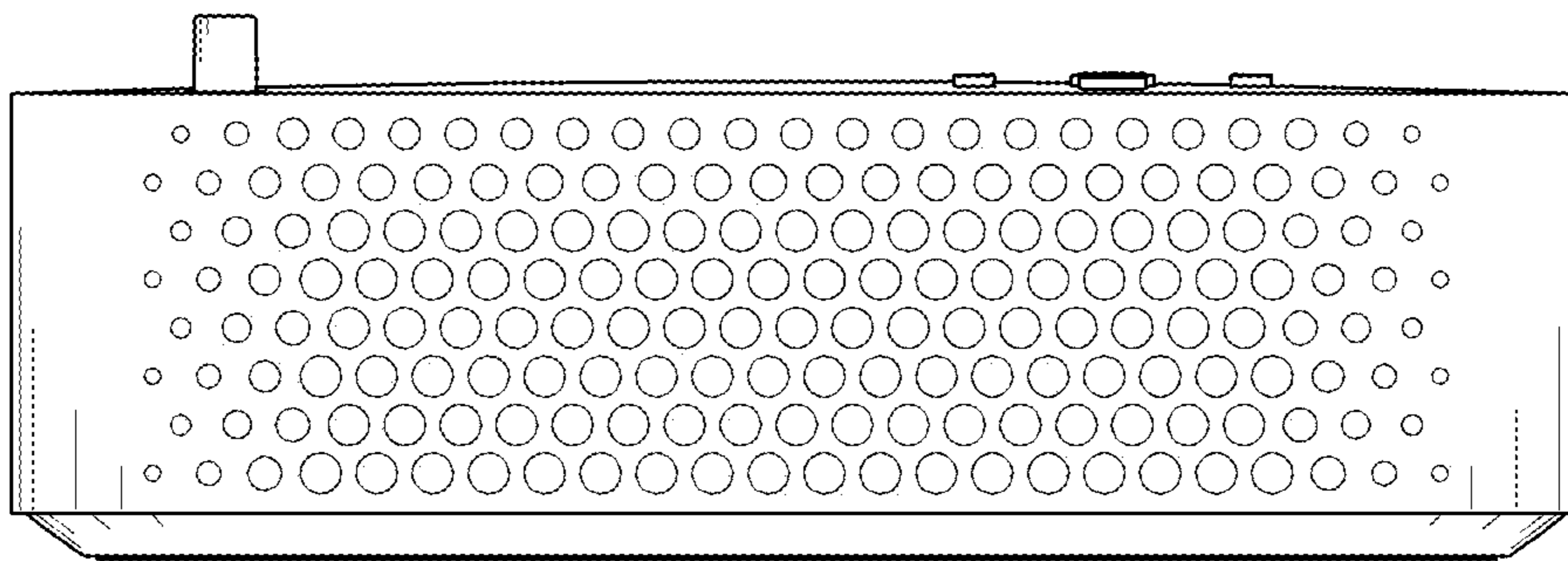
1.3



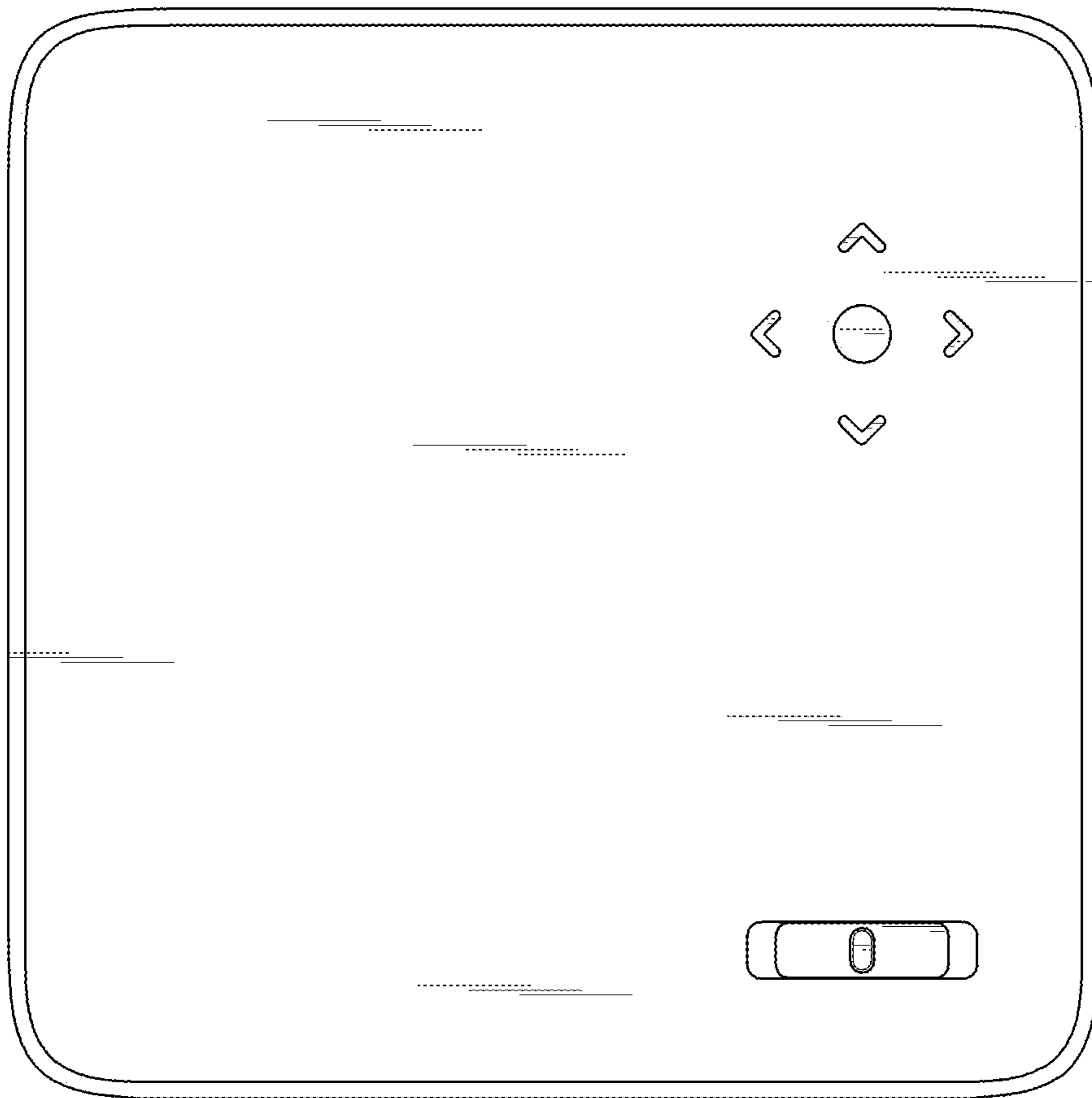
1.4



1.5



1.6



1.7

