

US00D949945S

(12) **United States Design Patent**
Crutchley et al.

(10) **Patent No.:** **US D949,945 S**

(45) **Date of Patent:** **** Apr. 26, 2022**

(54) **CAMERA**

(71) Applicants: **Dan Crutchley**, Big Bear City, CA (US); **Laraine Crutchley**, Big Bear City, CA (US)

(72) Inventors: **Dan Crutchley**, Big Bear City, CA (US); **Laraine Crutchley**, Big Bear City, CA (US)

(**) **Term:** **15 Years**

(21) Appl. No.: **29/643,225**

(22) Filed: **Apr. 5, 2018**

(51) **LOC (13) Cl.** **16-01**

(52) **U.S. Cl.**
USPC **D16/218; D16/200**

(58) **Field of Classification Search**
USPC D16/200, 202-208, 218, 219, 242;
348/143, 148, 151, 373-376; 396/419,
396/427, 535, 539-541; 248/176.1, 187.1
CPC G03B 17/02; G03B 19/04; G03B 17/56;
G03B 17/04; G03B 15/03; H04N 5/2251;
H04N 5/2252; H04N 5/2253; H04N
5/2254; H04N 7/181; H04N 7/183; H04N
7/18

See application file for complete search history.

(56) **References Cited**

U.S. PATENT DOCUMENTS

5,249,899	A	10/1993	Wilson	
6,630,884	B1	10/2003	Shanmugham	
D489,388	S *	5/2004	Saito	D16/200
D496,062	S *	9/2004	Yamakami	D16/200
D496,382	S *	9/2004	Yamakami	D16/200
D499,010	S	11/2004	Velten	
D504,904	S *	5/2005	Nagai	D16/203
D510,376	S *	10/2005	Yamakami	D16/200
D515,610	S *	2/2006	Yamakami	D16/200
D564,562	S *	3/2008	Honma	D16/200
7,500,794	B1	3/2009	Clark	

D616,480	S *	5/2010	Ookawa	D16/218
D666,486	S	9/2012	Czipri	
8,520,069	B2	8/2013	Haler	
D727,387	S *	4/2015	Hasegawa	D16/203

(Continued)

OTHER PUBLICATIONS

Mini Hidden Camera HD 800TVL Color CCTV Screw Pinhole 3.7mm Lens Video Audio DIY. Product listing [online]. © 2000-2018 Newegg Business Inc. [retrieved on Jan. 17, 2018]. Retrieved from the Internet: <URL: <https://www.neweggbusiness.com/product/product.aspx?item=9b-0yh-0205-00009>>.

(Continued)

Primary Examiner — Ramzi Almatrahi

(74) *Attorney, Agent, or Firm* — Cramer Patent & Design, PLLC; Aaron R. Cramer

(57) **CLAIM**

The ornamental design for a camera, as shown and described.

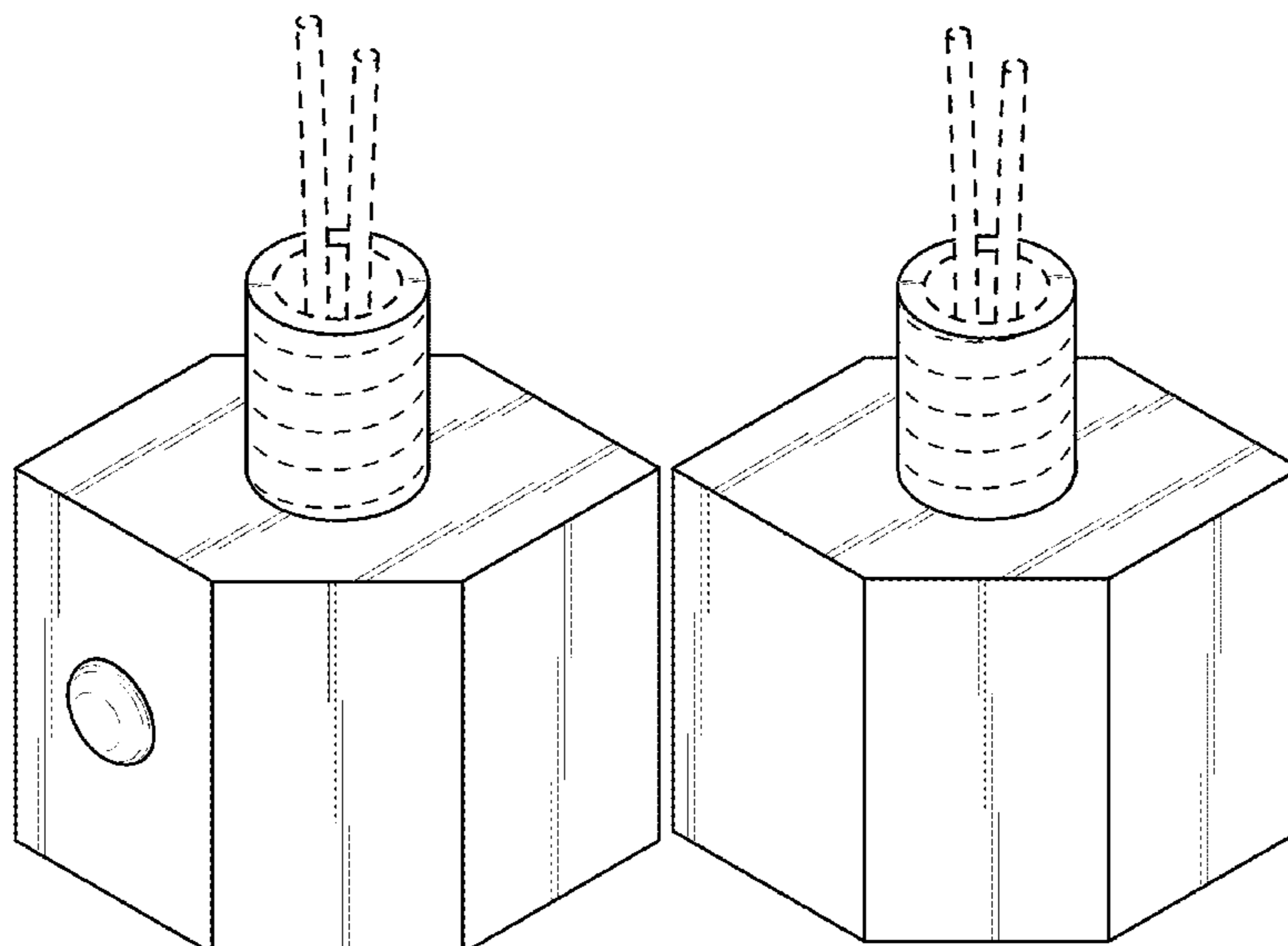
DESCRIPTION

FIG. 1 is a top, front and right side perspective view of a camera, showing our new design;
FIG. 2 is a top, rear and left side perspective view thereof;
FIG. 3 is a front elevation view thereof;
FIG. 4 is a rear elevation view thereof;
FIG. 5 is a right side elevation view thereof;
FIG. 6 is a left side elevation view thereof;
FIG. 7 is a top plan view thereof; and,
FIG. 8 is a bottom plan view thereof.

The pair of broken line tubes protruding from the top of the camera represent wiring and form no part of the claimed design.

The broken lines spirally disposed about the exterior surface of the cylinder projecting from the top face of the camera represent threading and form no part of the claimed design.

1 Claim, 8 Drawing Sheets



(56)

References Cited

U.S. PATENT DOCUMENTS

D730,423 S * 5/2015 Vandebussche D16/218
D733,784 S * 7/2015 Yamashita D16/218
D737,674 S 9/2015 Tobaruela
D754,230 S * 4/2016 Mori D16/200
D761,095 S 7/2016 van der Hoeff et al.
D772,323 S * 11/2016 Hinkel D16/200
D772,966 S * 11/2016 Song D16/200
D785,068 S * 4/2017 Patsis D16/218
D789,999 S * 6/2017 Yakabe D16/200
D795,940 S 8/2017 Huang
D861,055 S * 9/2019 Sekine D16/200
2003/0041329 A1 2/2003 Bassett
2014/0285337 A1 9/2014 Gebhardt

OTHER PUBLICATIONS

Car Spy Camera. Product listing [online]. Copyright © 1995-2018
eBay Inc. [retrieved on Dec. 6, 2017]. Retrieved from the Internet:
<URL: <http://www.ebay.com/bhp/car-spy-camera>>.

* cited by examiner

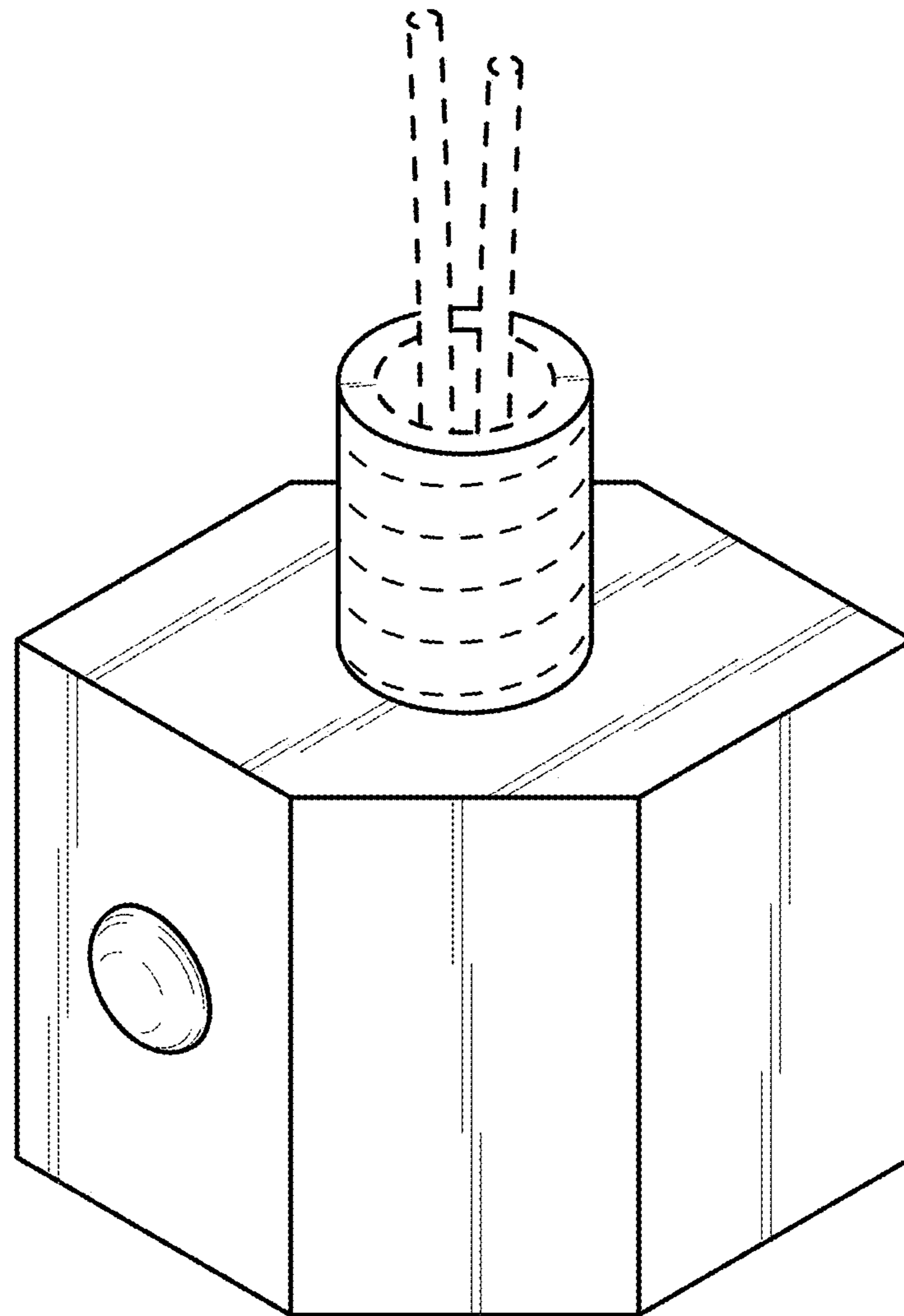


FIG. 1

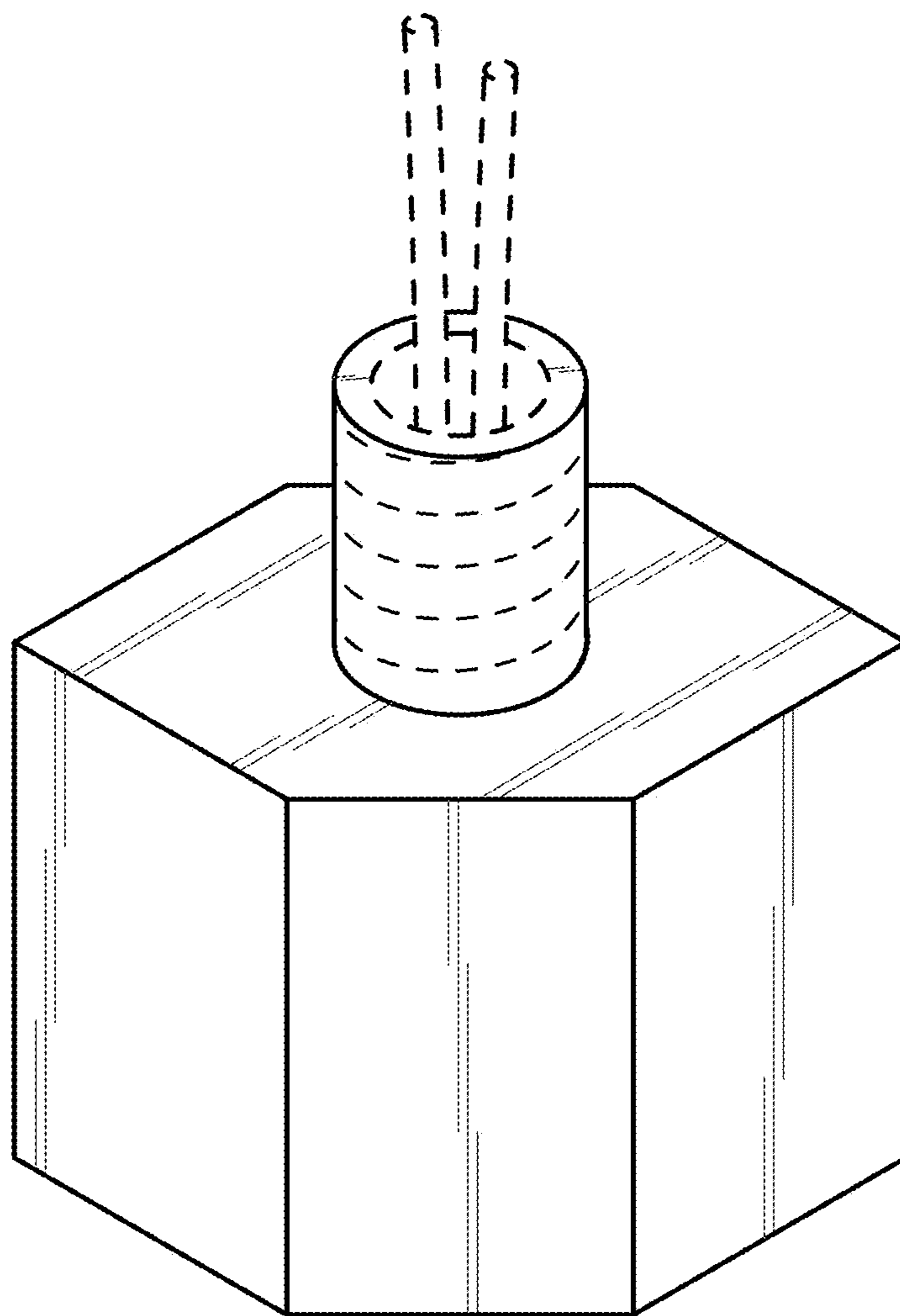


FIG. 2

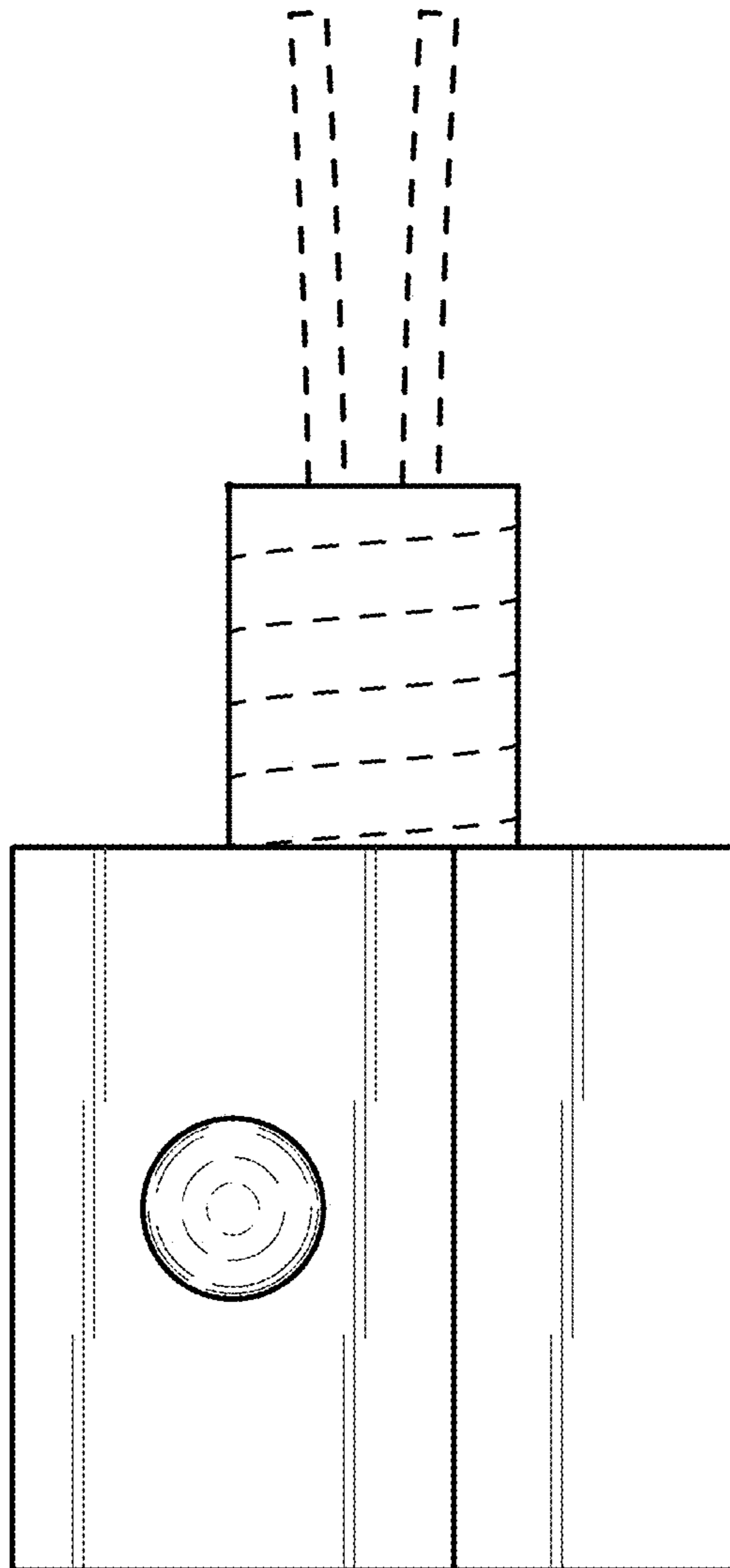


FIG. 3

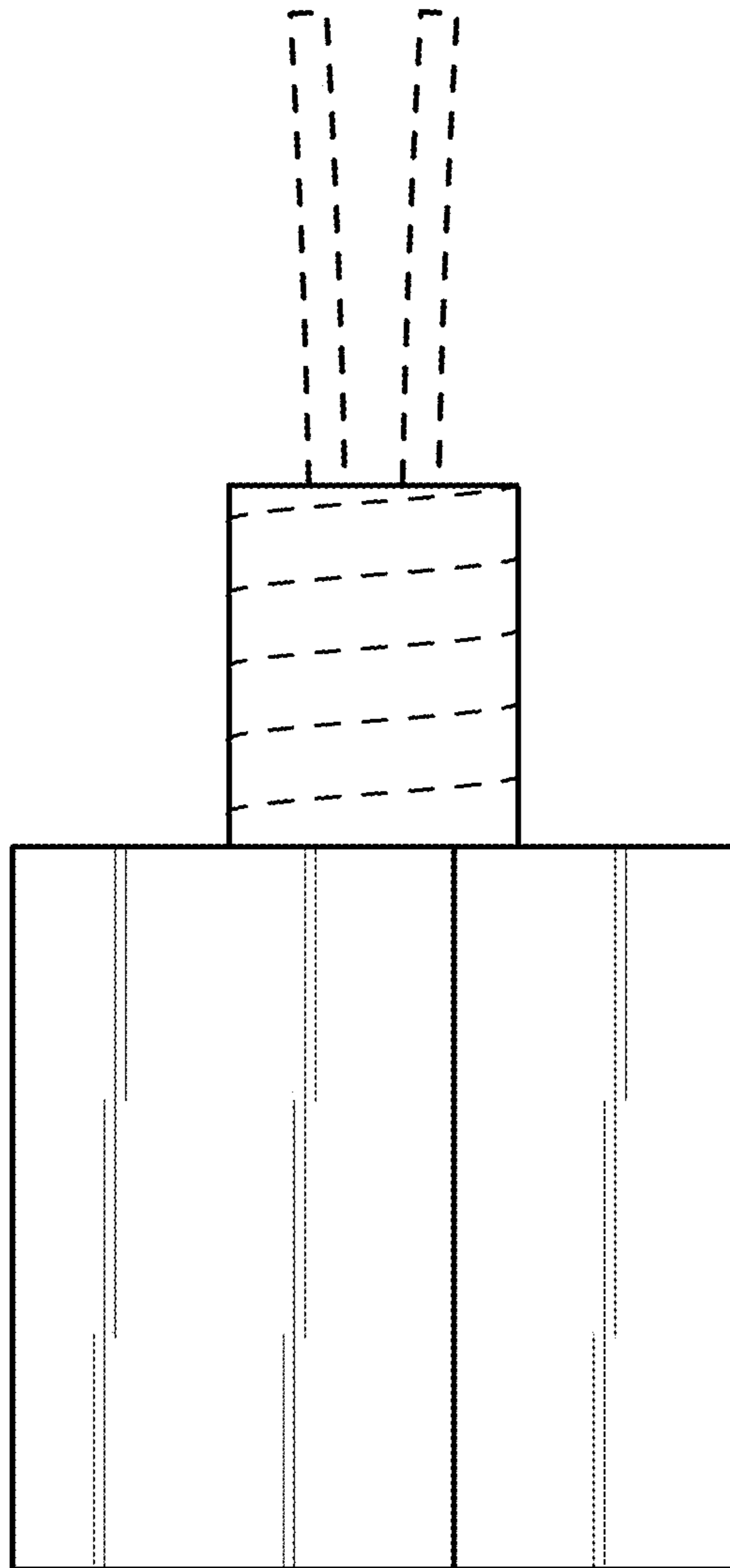


FIG. 4

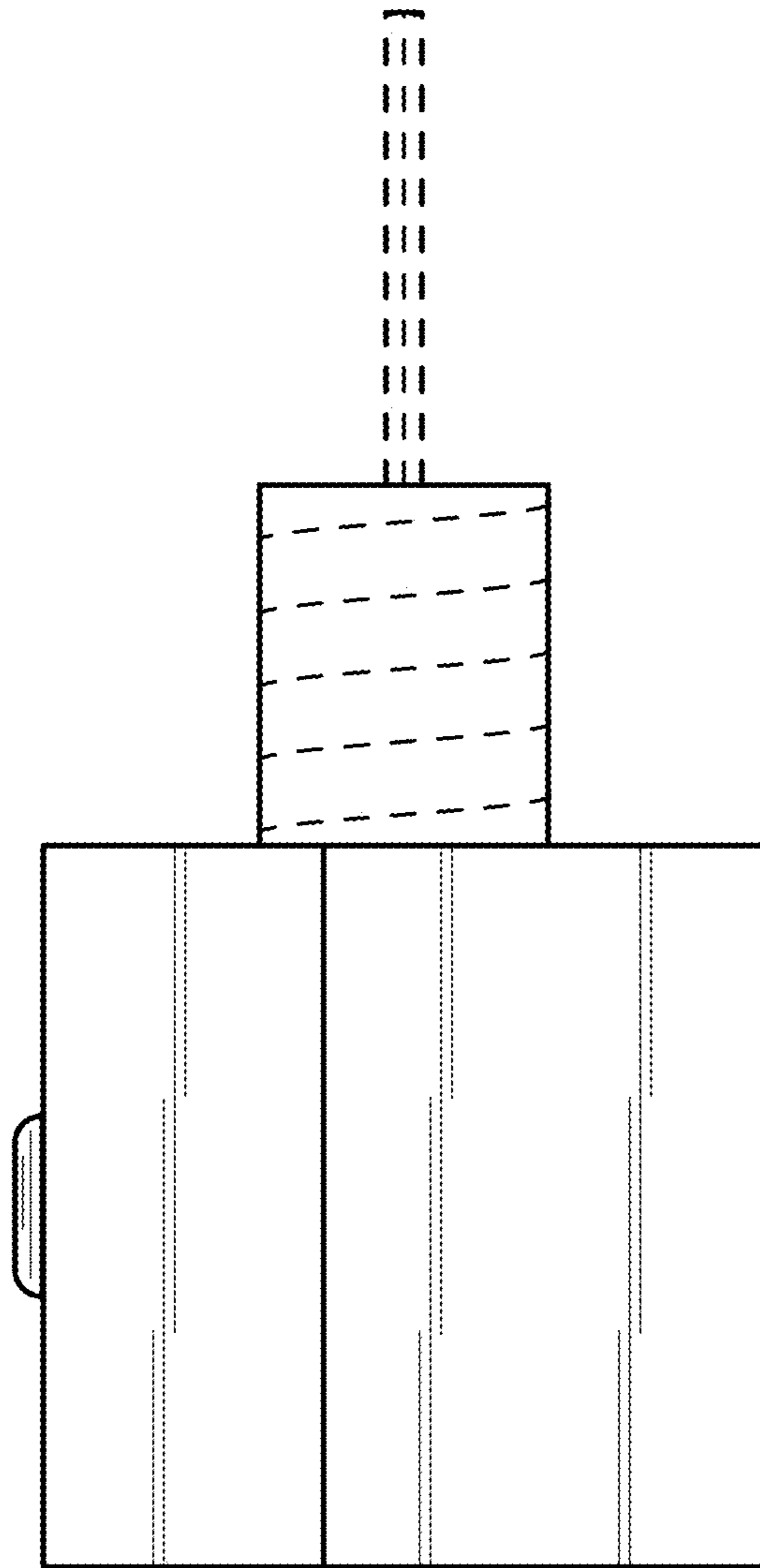


FIG. 5

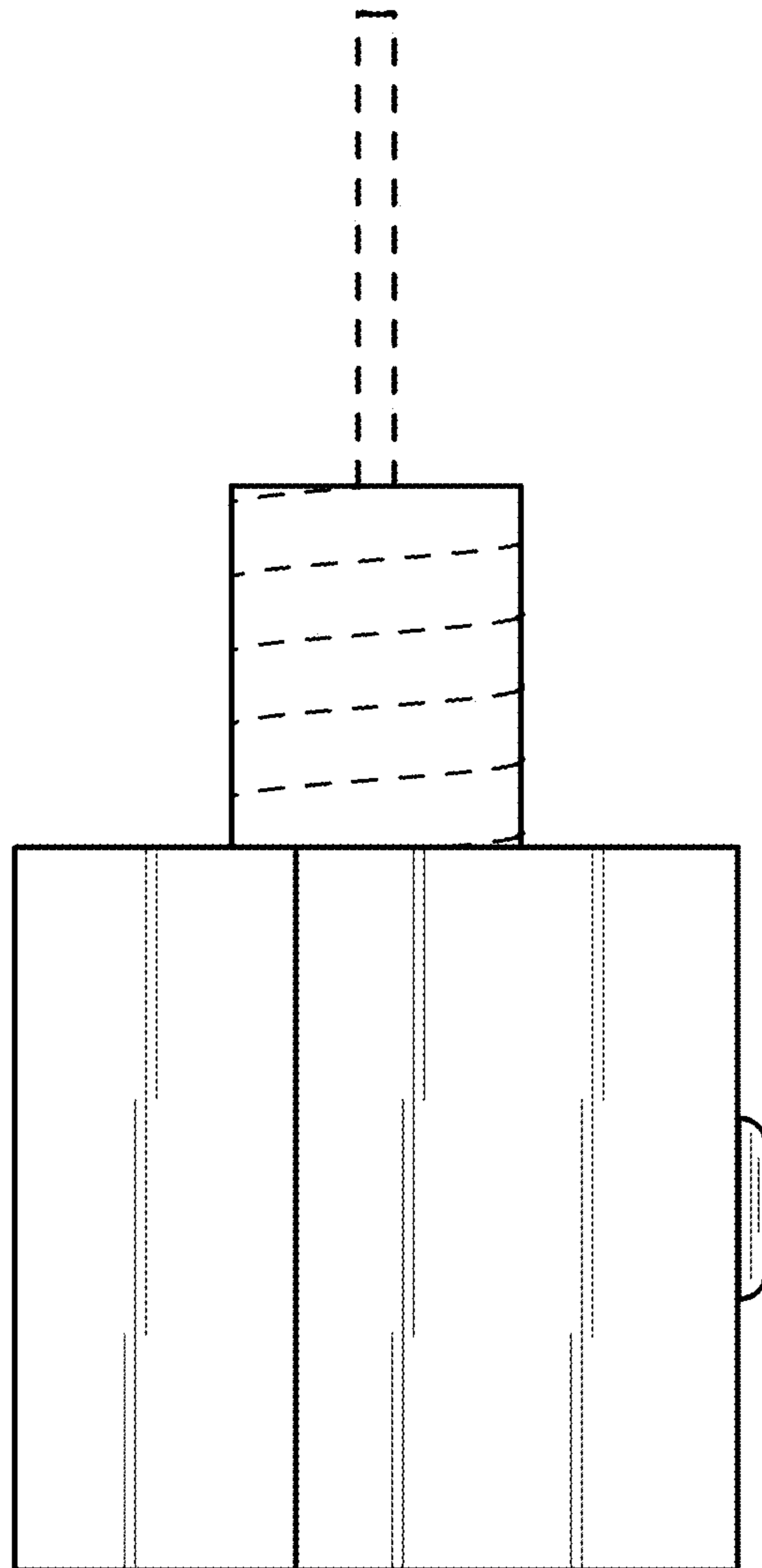


FIG. 6

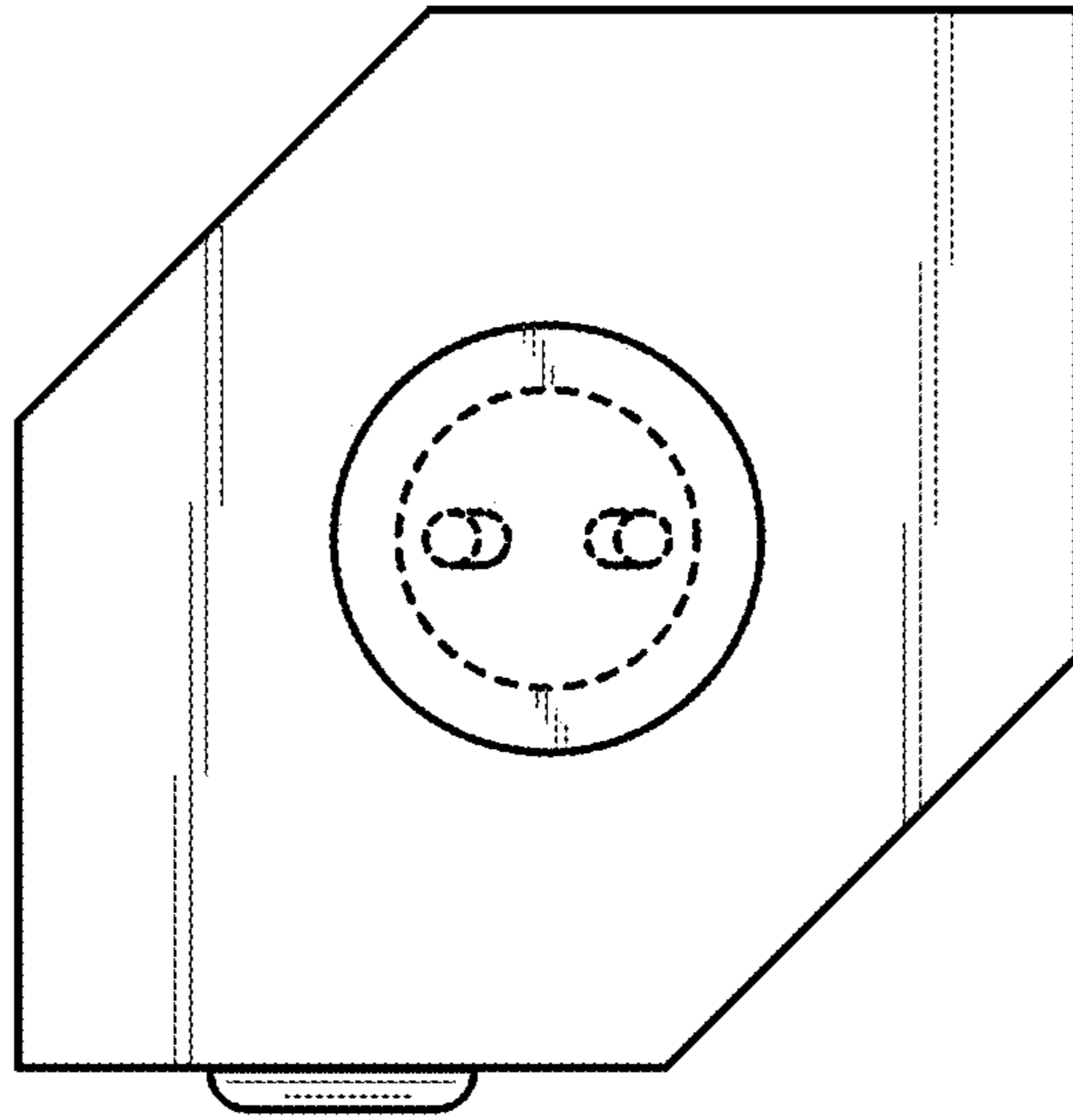


FIG. 7

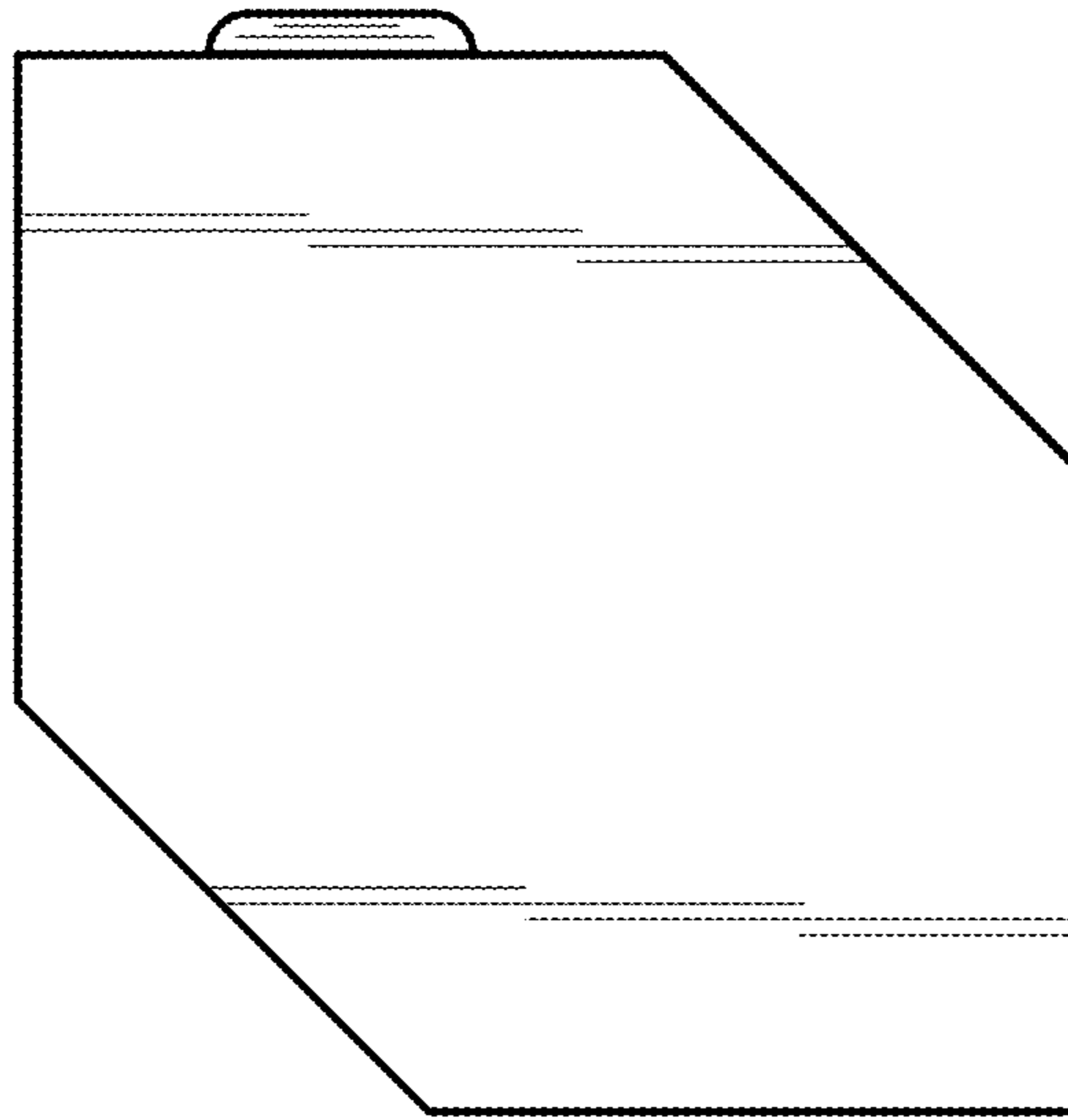


FIG. 8