



US00D949940S

(12) **United States Design Patent** (10) **Patent No.:** **US D949,940 S**
Liu (45) **Date of Patent:** **** Apr. 26, 2022**

(54) **CATCH CAN**

D884,760 S * 5/2020 Tafe D15/150
D884,761 S * 5/2020 Tafe D15/150
D910,727 S * 2/2021 Tafe D15/150

(71) Applicant: **Resource Intl Inc.**, New Castle, DE (US)

* cited by examiner

(72) Inventor: **Ye Liu**, Elkton, MD (US)

Primary Examiner — Ania Aman

(73) Assignee: **Resource Intl Inc.**, New Castle, DE (US)

(74) *Attorney, Agent, or Firm* — Condo Roccia Koptiw LLP

(**) Term: **15 Years**

(57) **CLAIM**

(21) Appl. No.: **29/657,139**

The ornamental design for a catch can, as shown and described.

(22) Filed: **Jul. 19, 2018**

DESCRIPTION

(51) **LOC (13) Cl.** **15-09**

(52) **U.S. Cl.**
USPC **D15/150**

(58) **Field of Classification Search**
USPC D15/5, 150, 1, 2, 3, 4
CPC F01M 13/04; F01M 9/00; F01M 9/06;
F01M 9/002

FIG. 1 is a top front perspective view of a catch can showing our new design;
FIG. 2 is a right view thereof;
FIG. 3 is a left view thereof;
FIG. 4 is a front view thereof;
FIG. 5 is a back view thereof;
FIG. 6 is top view thereof; and,
FIG. 7 is a bottom view thereof.

See application file for complete search history.

The broken lines in the drawing figures show portions of the catch can which form no part of the claimed design.

(56) **References Cited**

The shade lines in the figures show contour and not surface ornamentation.

U.S. PATENT DOCUMENTS

D870,785 S * 12/2019 Wu D15/150
D870,786 S * 12/2019 Wu D15/150

1 Claim, 6 Drawing Sheets

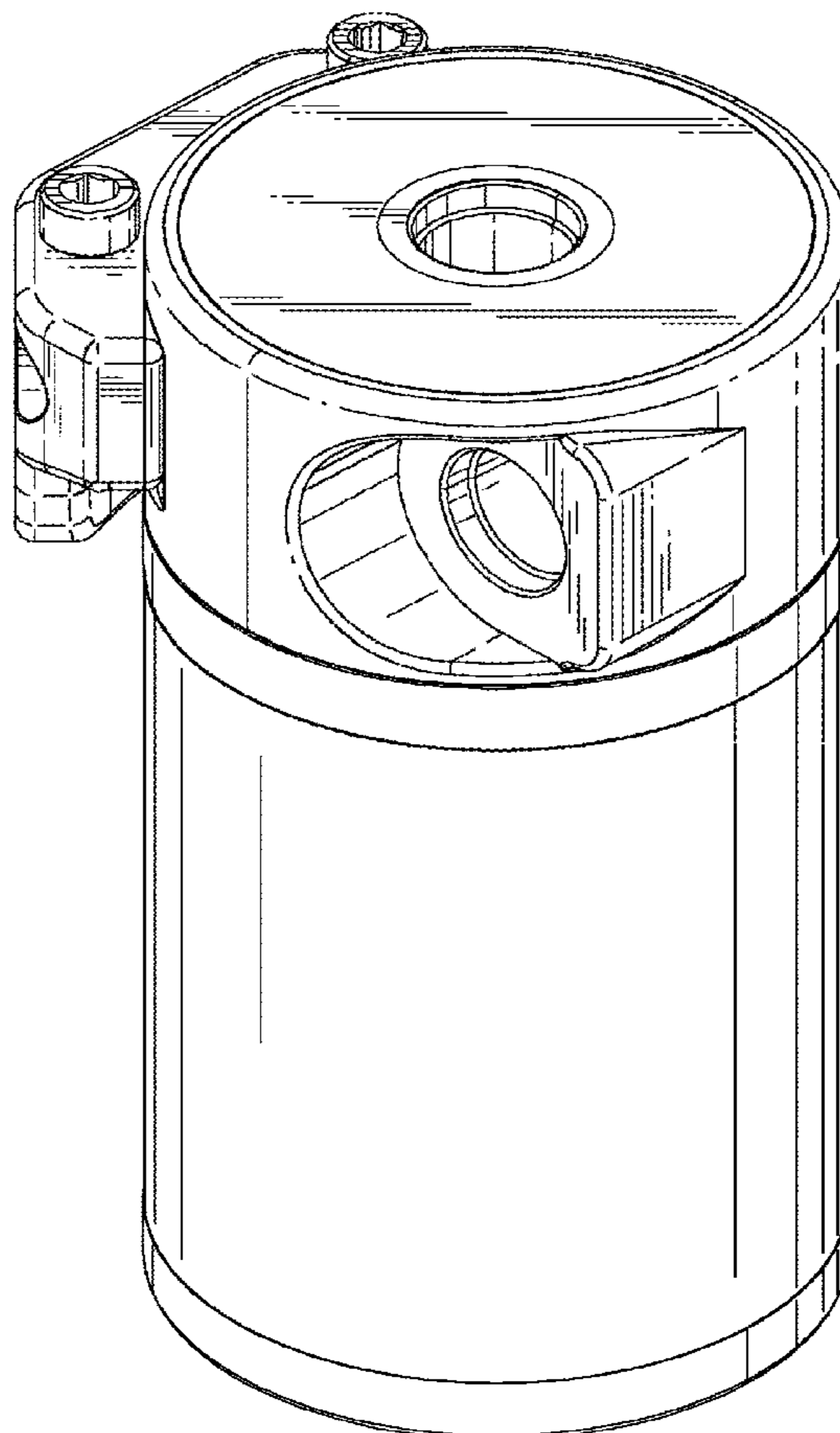


FIG. 1

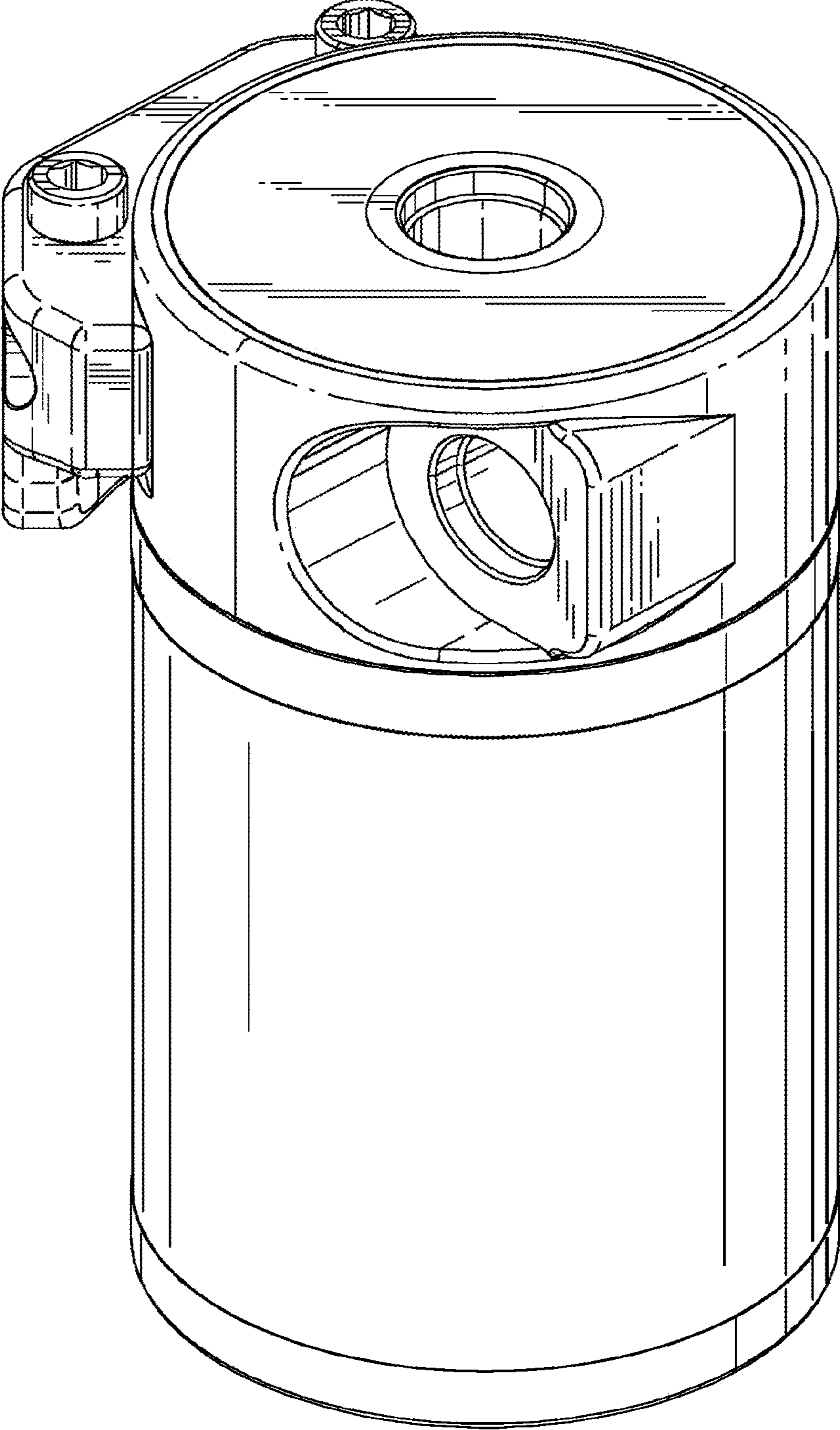


FIG. 2

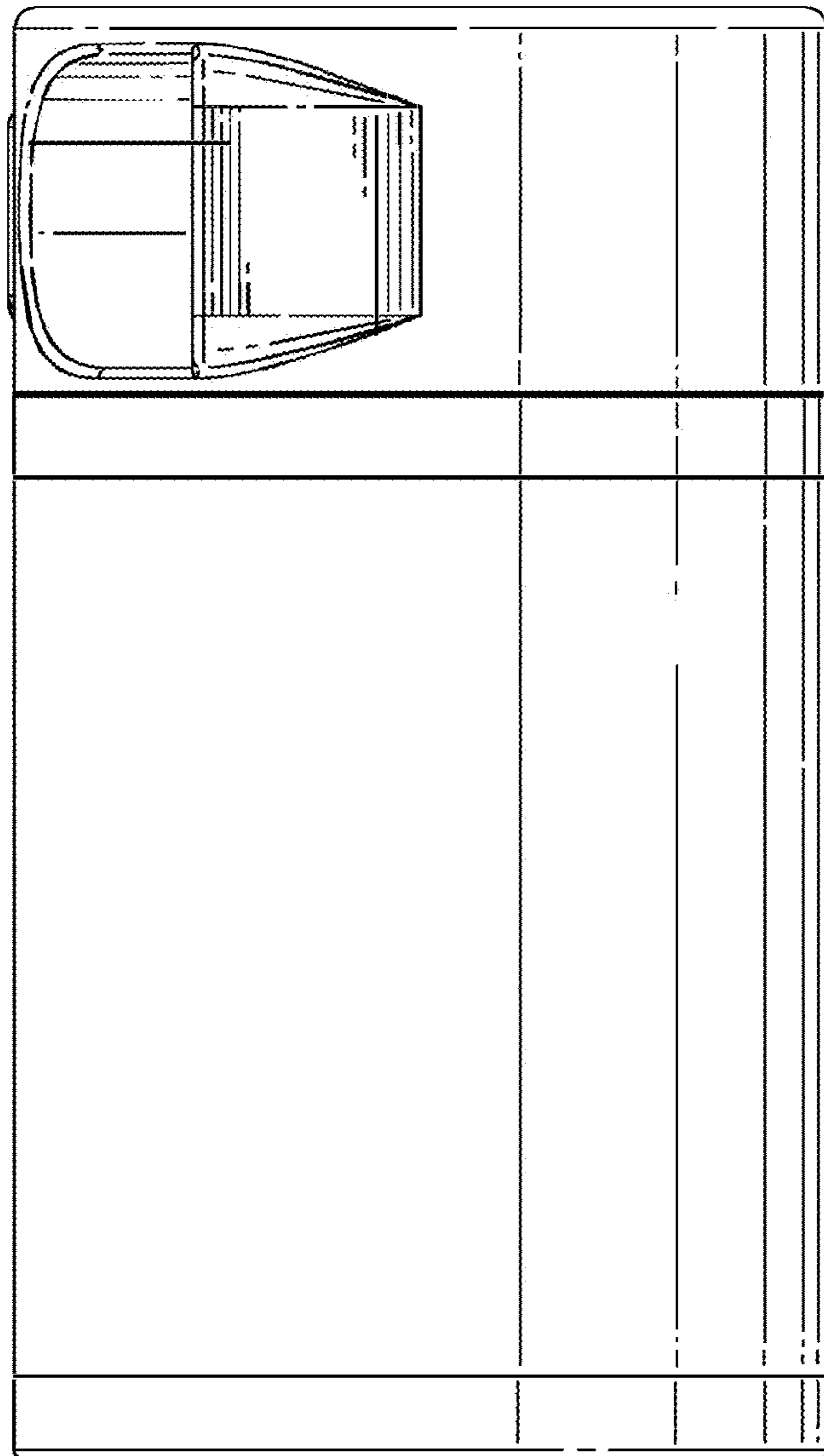


FIG. 3

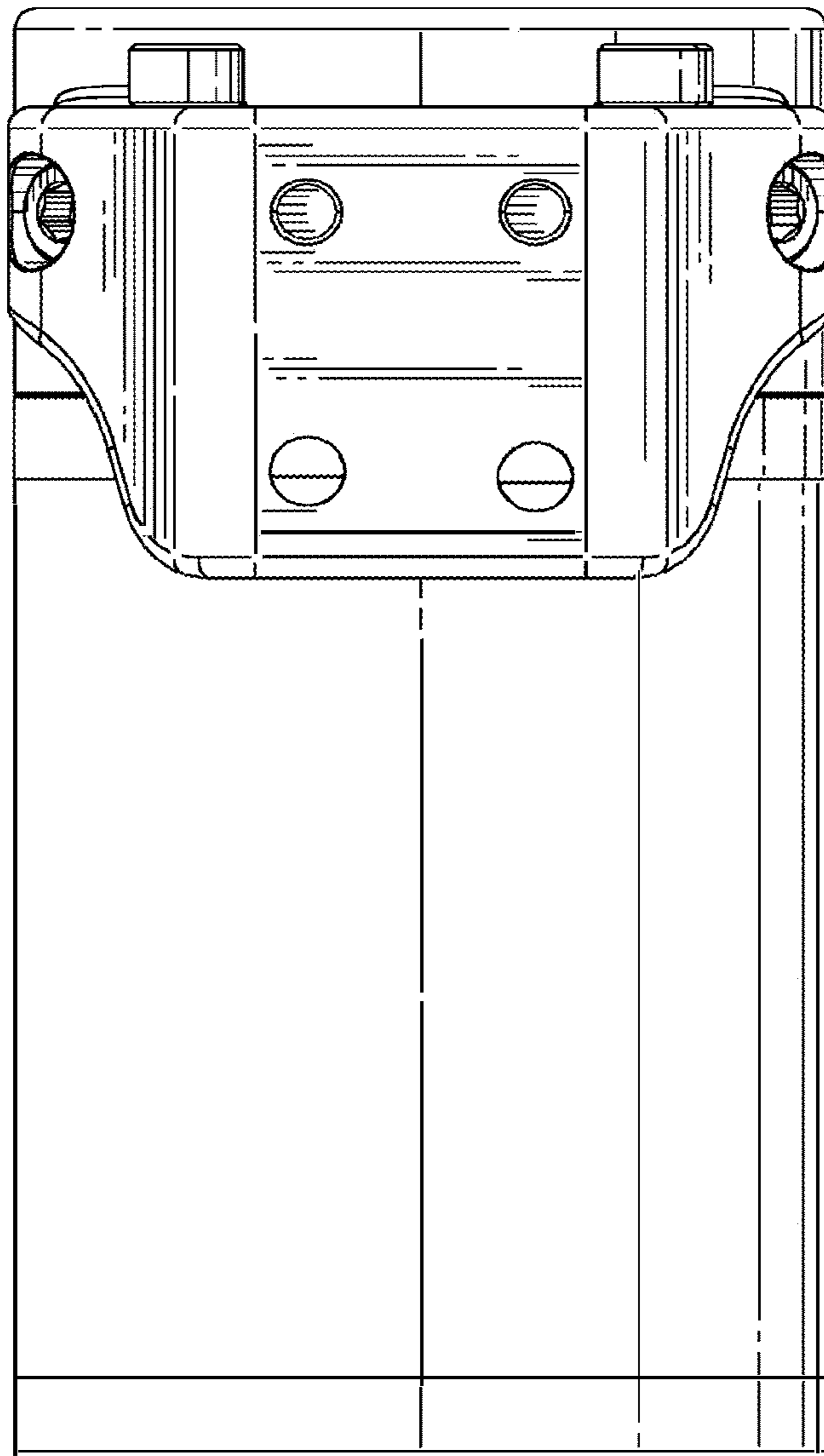


FIG. 4

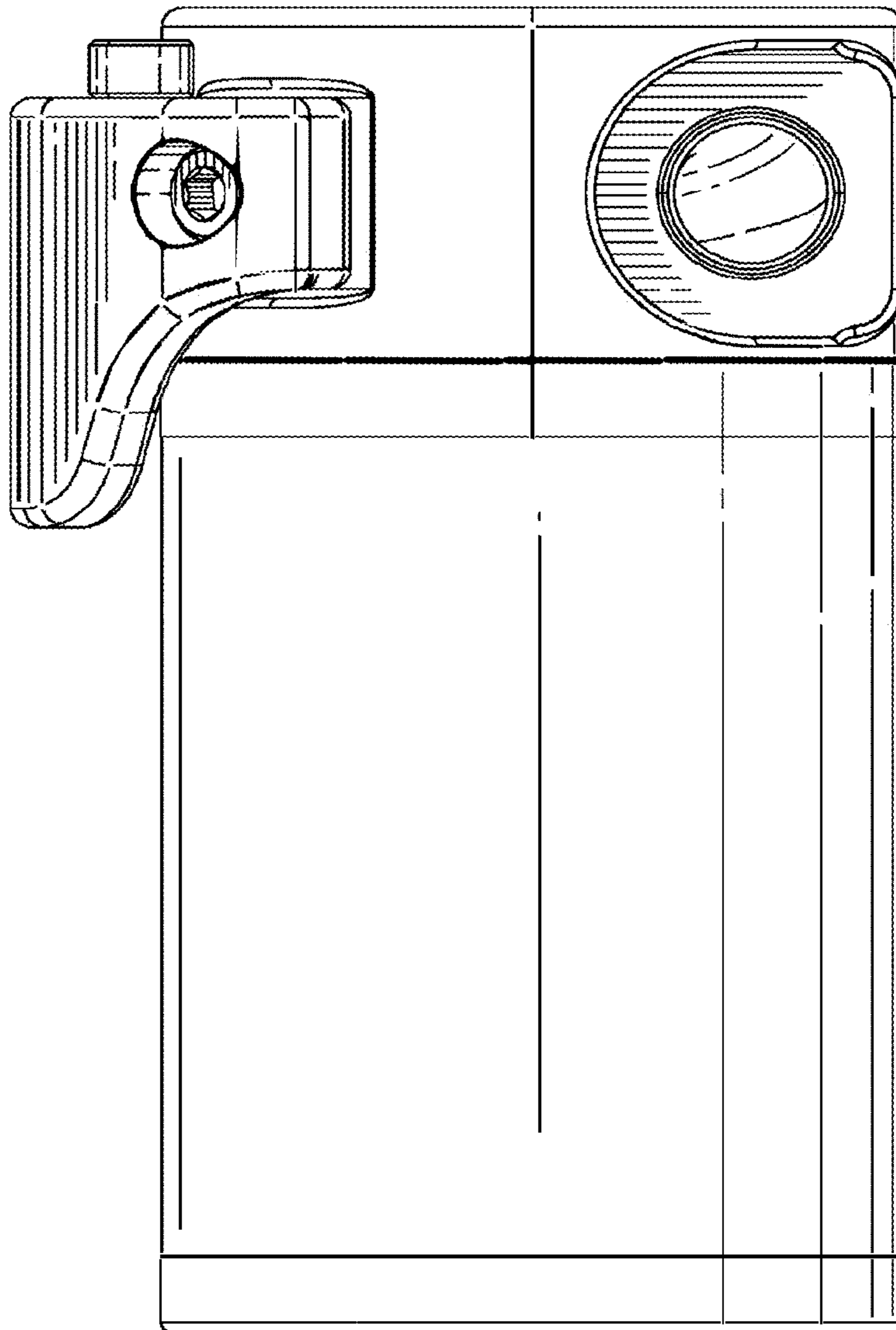


FIG. 5

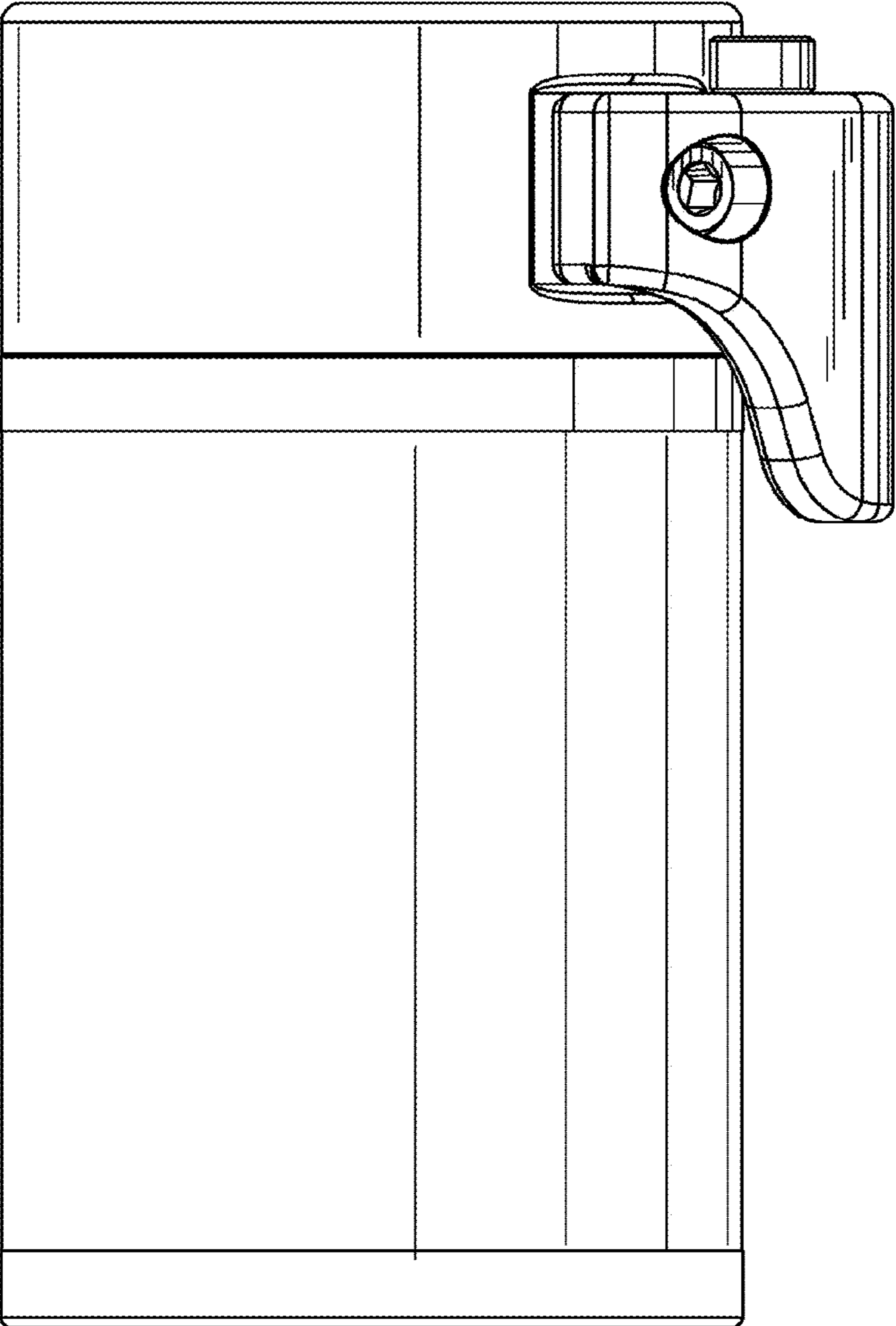


FIG. 6

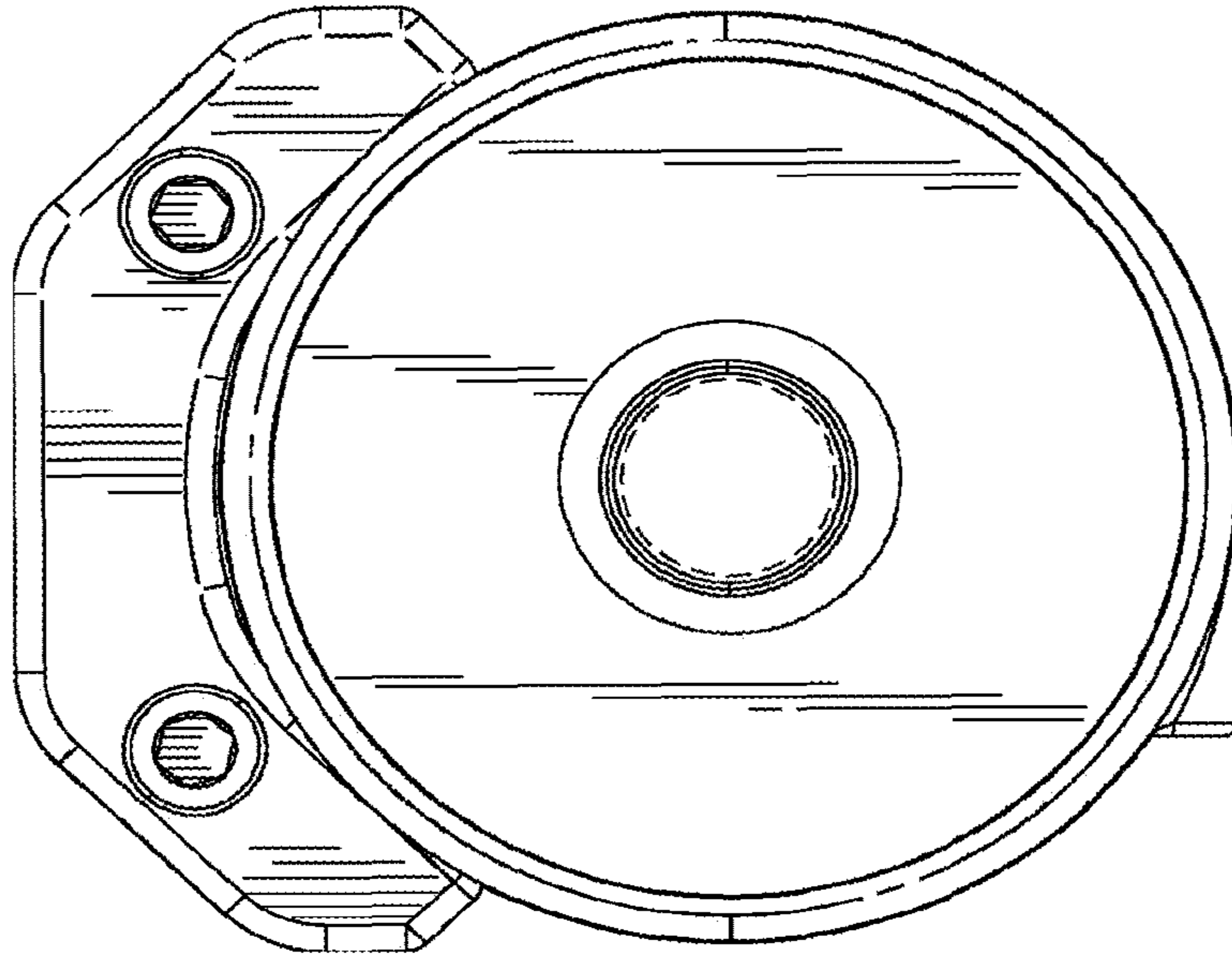


FIG. 7

