



US00D949939S

(12) **United States Design Patent** (10) **Patent No.:** **US D949,939 S**  
**Rhode et al.** (45) **Date of Patent:** **\*\* Apr. 26, 2022**

(54) **SAW TOOTH**

(71) Applicant: **U.S. Tsubaki Holdings, Inc.**, Wheeling, IL (US)

(72) Inventors: **Jeff Tyler Rhode**, Anaheim Hills, CA (US); **Derek James Imig**, Blaine, MN (US)

(73) Assignee: **U.S. Tsubaki Holdings, Inc.**, Wheeling, IL (US)

(\*\*) Term: **15 Years**

(21) Appl. No.: **29/697,654**

(22) Filed: **Jul. 10, 2019**

**Related U.S. Application Data**

(63) Continuation-in-part of application No. 29/624,978, filed on Nov. 6, 2017, now Pat. No. Des. 857,768, which is a continuation-in-part of application No. 29/564,591, filed on May 13, 2016, now Pat. No. Des. 804,551.

(51) **LOC (13) Cl.** ..... **15-03**

(52) **U.S. Cl.**  
USPC ..... **D15/139**

(58) **Field of Classification Search**  
USPC ..... D15/133, 127, 138, 139  
CPC ..... B23D 57/0007; B23D 57/0038; B23D 57/0061; B23D 57/0084; B23D 61/121; B23D 45/062; B23D 47/02; B23D 47/04; B23D 49/162; B23D 51/025; B23D 55/082; B23D 57/023; B23D 59/003; B23D 59/008; B23D 61/006; B23D 61/125; B23D 61/128; B23D 61/18; B23D 61/185

See application file for complete search history.

(56) **References Cited**

U.S. PATENT DOCUMENTS

5,205,199	A *	4/1993	MacLennan	.....	B23D 61/04
					83/839
5,307,719	A	5/1994	MacLennan		
5,579,674	A *	12/1996	Wildey	.....	B23D 61/04
					83/835
5,644,965	A *	7/1997	MacLennan	.....	B23D 61/06
					144/241
5,647,263	A *	7/1997	Wildey	.....	B23D 61/04
					83/835
5,873,534	A *	2/1999	Shinn	.....	A01G 23/093
					241/294
D488,174	S *	4/2004	East	.....	D15/139
6,725,758	B2	4/2004	MacLennan		
D517,104	S *	3/2006	East	.....	D15/139
D772,963	S *	11/2016	Nam	.....	D15/139
D804,551	S *	12/2017	Rhode	.....	D15/139
D812,115	S *	3/2018	MacLennan	.....	B27B 33/12
					D15/139
D854,592	S *	7/2019	Matsuda	.....	D15/139
D857,768	S *	8/2019	Rhode	.....	D15/139

(Continued)

*Primary Examiner* — Khawaja Anwar

(74) *Attorney, Agent, or Firm* — McAndrews, Held & Malloy, Ltd.

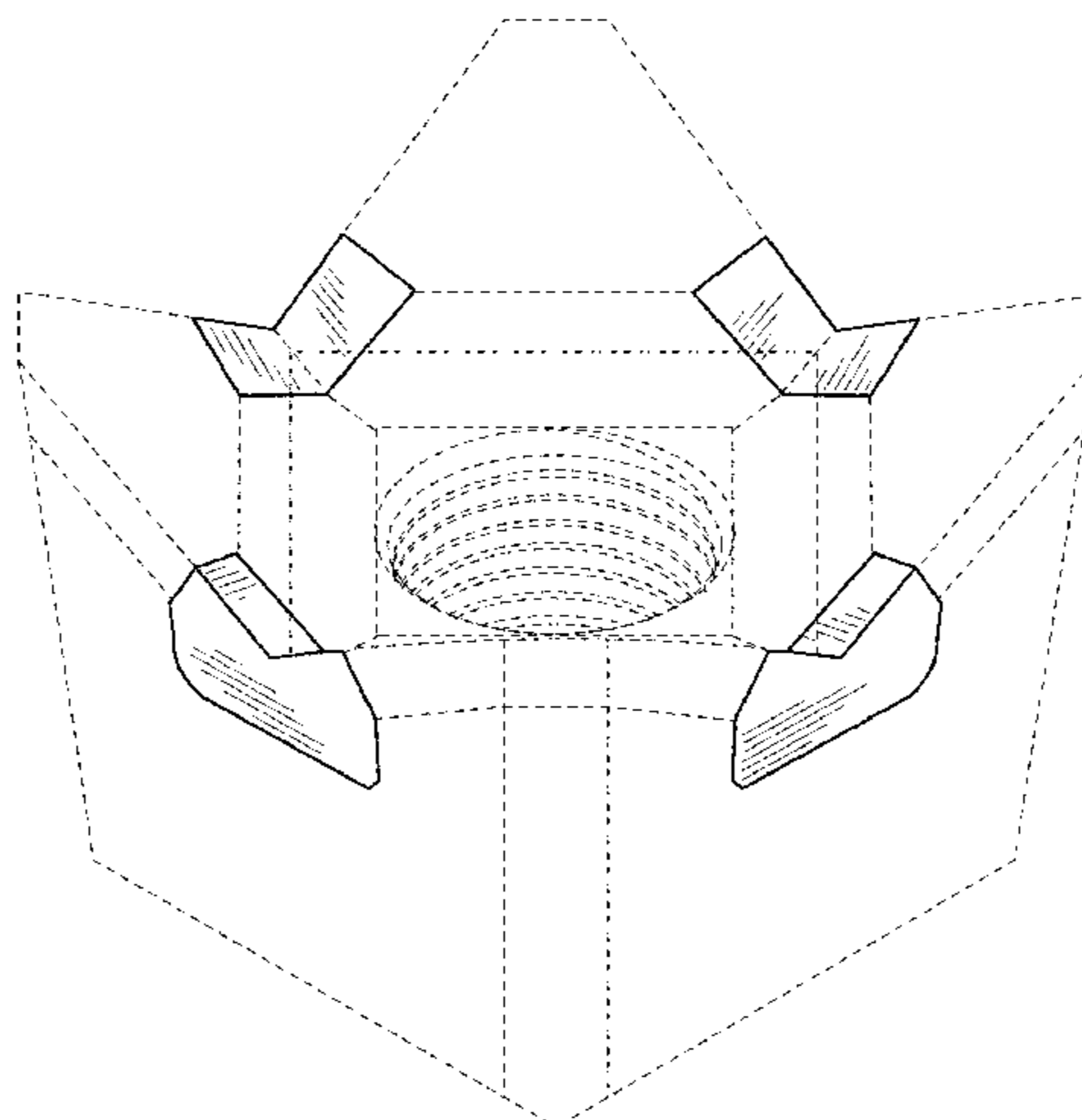
(57) **CLAIM**

The ornamental design for a saw tooth, as shown and described herein.

**DESCRIPTION**

FIG. 1 is a perspective view of a saw tooth, showing my new design;  
FIG. 2 is a front elevation thereof;  
FIG. 3 is a rear elevation thereof;  
FIG. 4 is a left-side elevation thereof;  
FIG. 5 is a right-side elevation thereof;  
FIG. 6 is top view thereof; and,  
FIG. 7 is bottom plan view thereof.

(Continued)



The broken lines in the drawings show portions of the saw tooth that form no part of the claimed design.

**1 Claim, 4 Drawing Sheets**

(56)

**References Cited**

U.S. PATENT DOCUMENTS

10,981,240	B2 *	4/2021	Rhode .....	B23D 61/065
D926,239	S *	7/2021	Flodman .....	D15/139
D926,846	S *	8/2021	Flodman .....	D15/139
D926,847	S *	8/2021	Flodman .....	D15/139
11,130,186	B2 *	9/2021	Smith .....	B23D 61/06
2003/0188619	A1 *	10/2003	MacLennan .....	B23D 61/04 83/839

\* cited by examiner

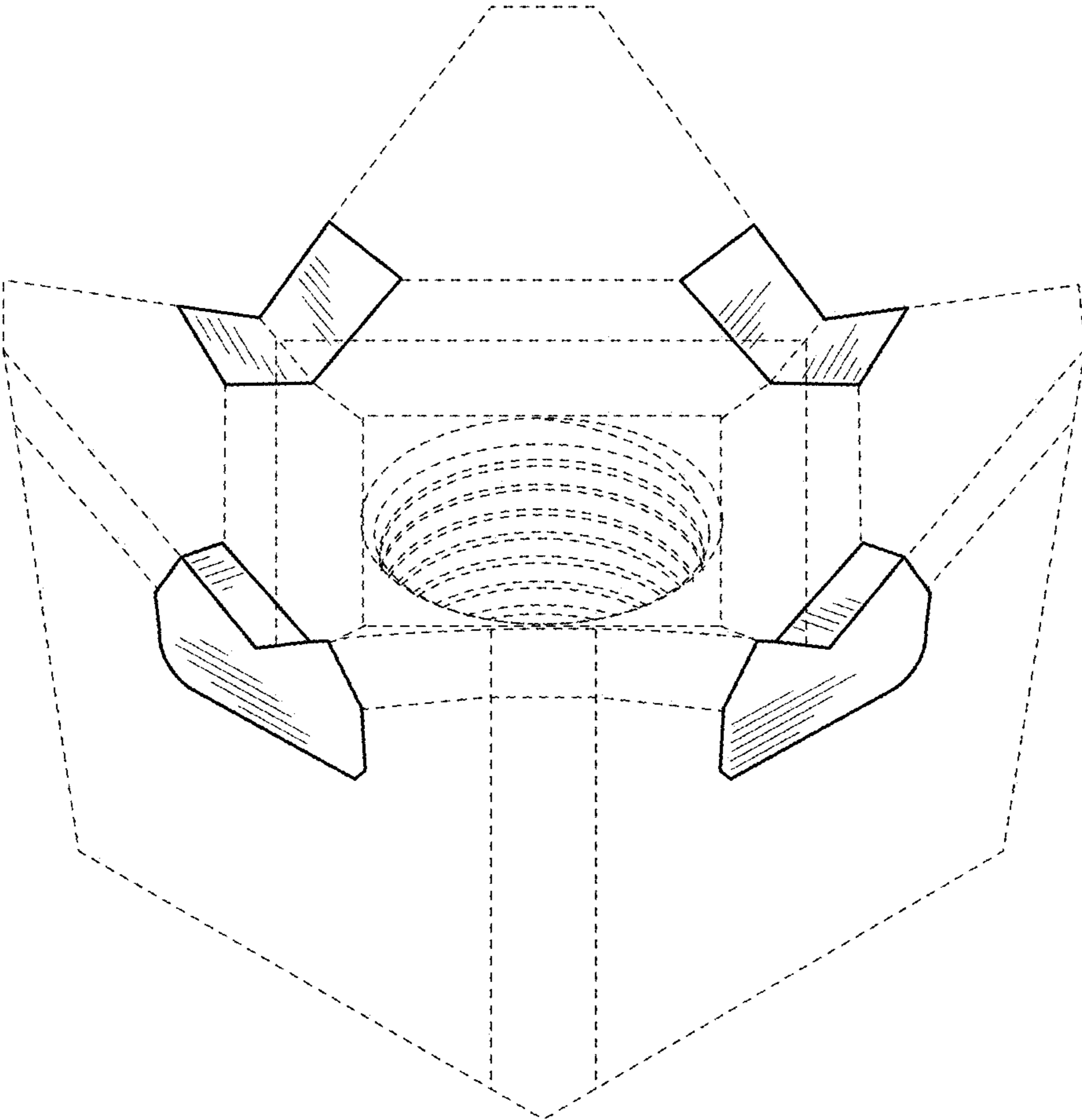


FIG. 1

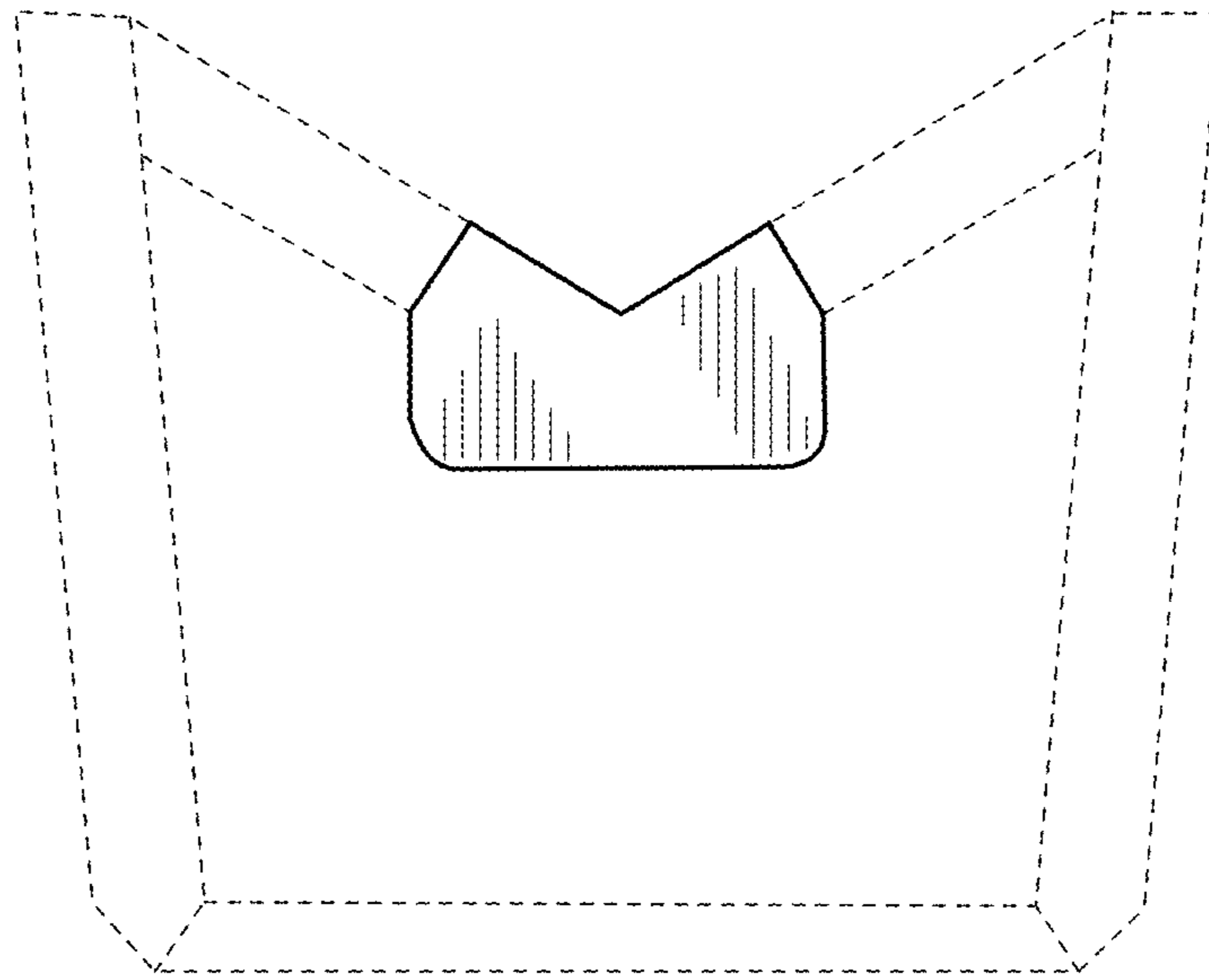


FIG. 2

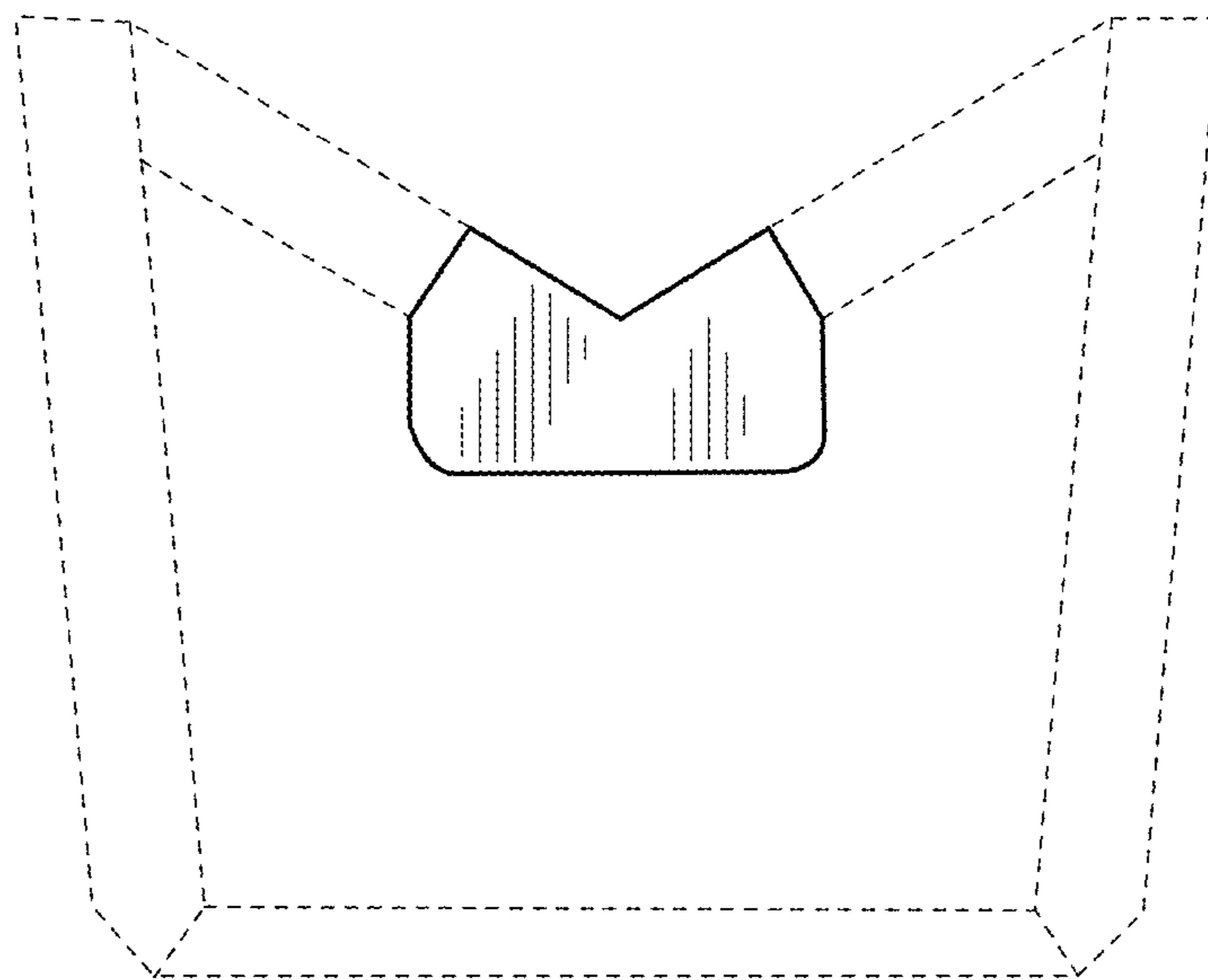


FIG. 3

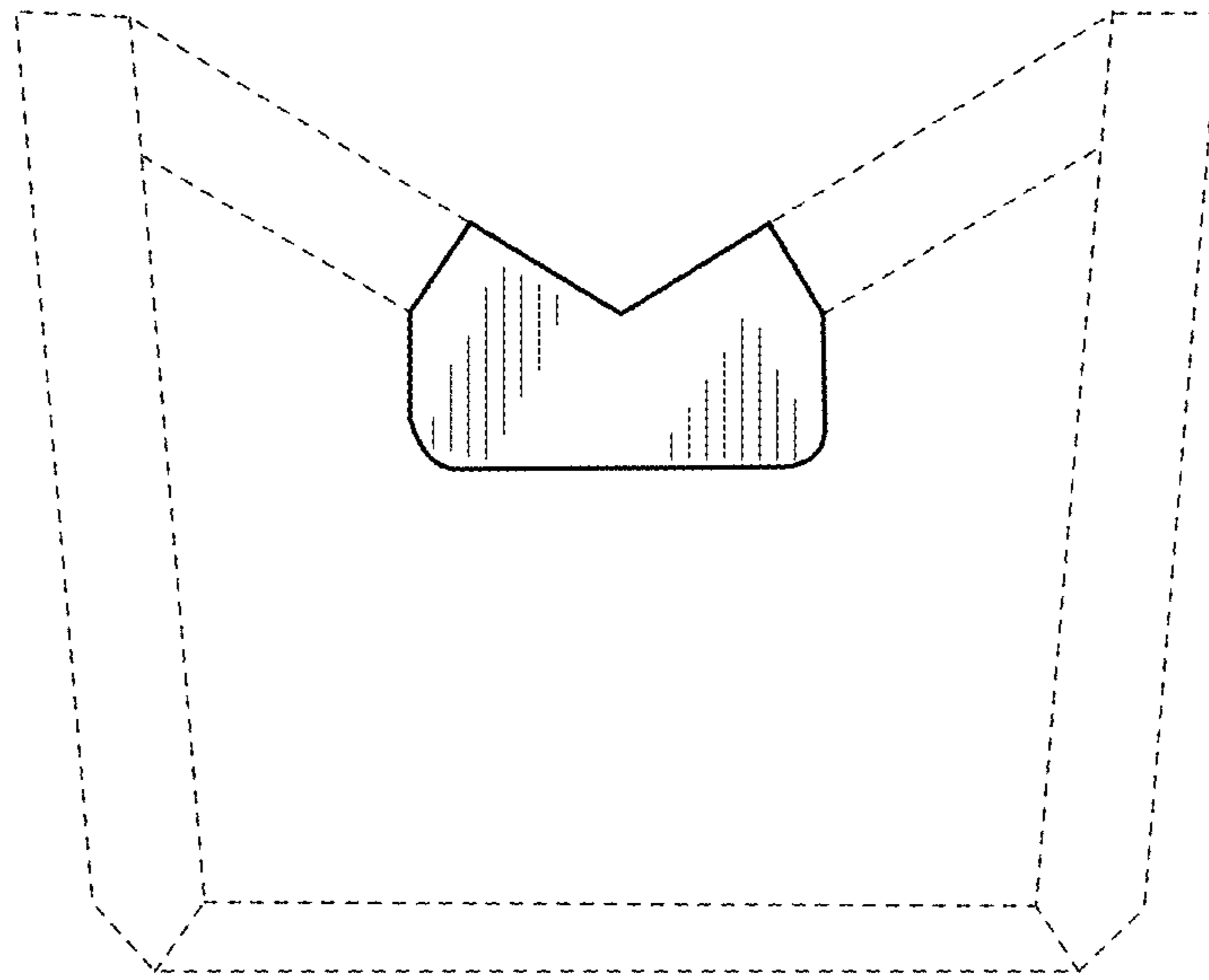


FIG. 4

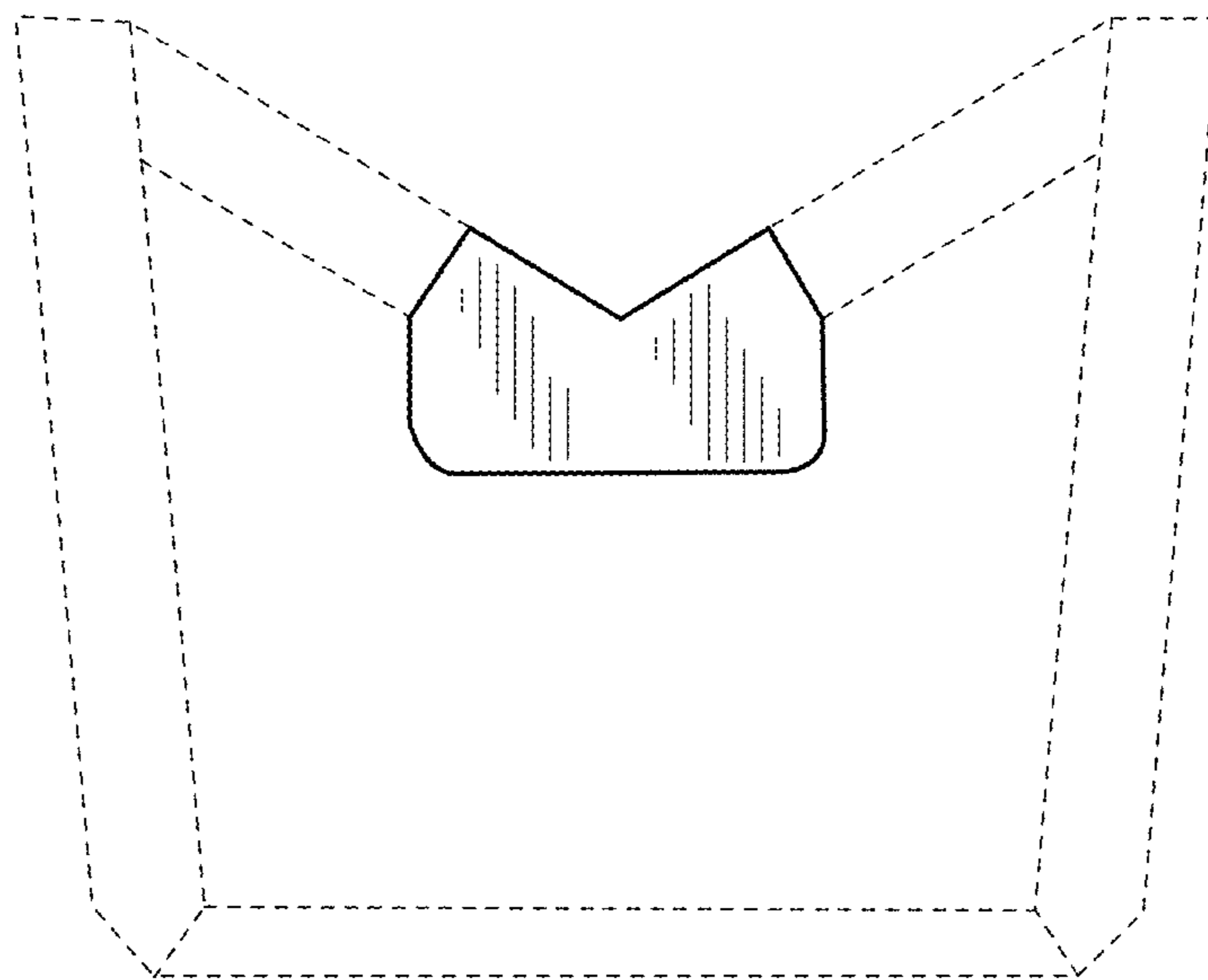


FIG. 5

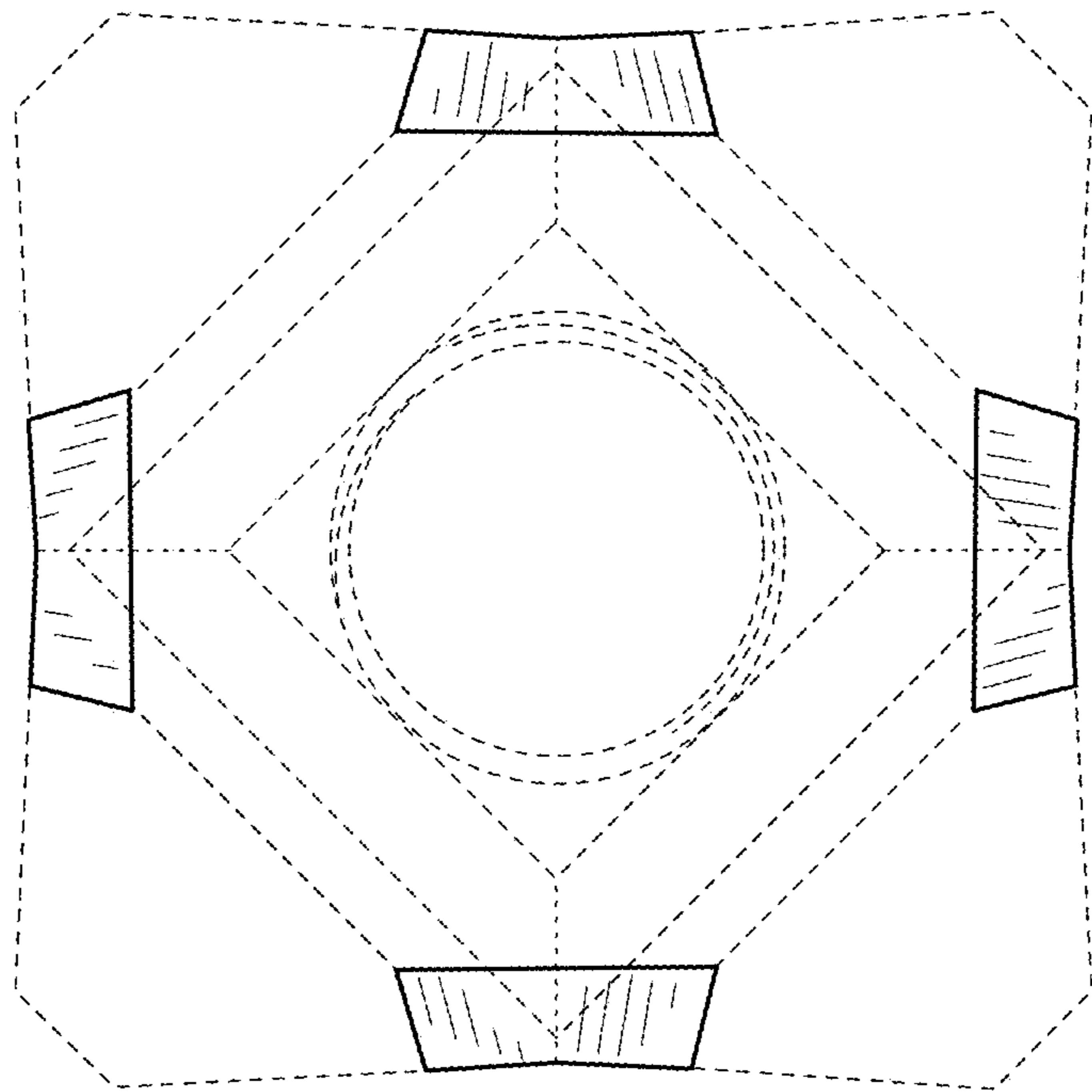


FIG. 6

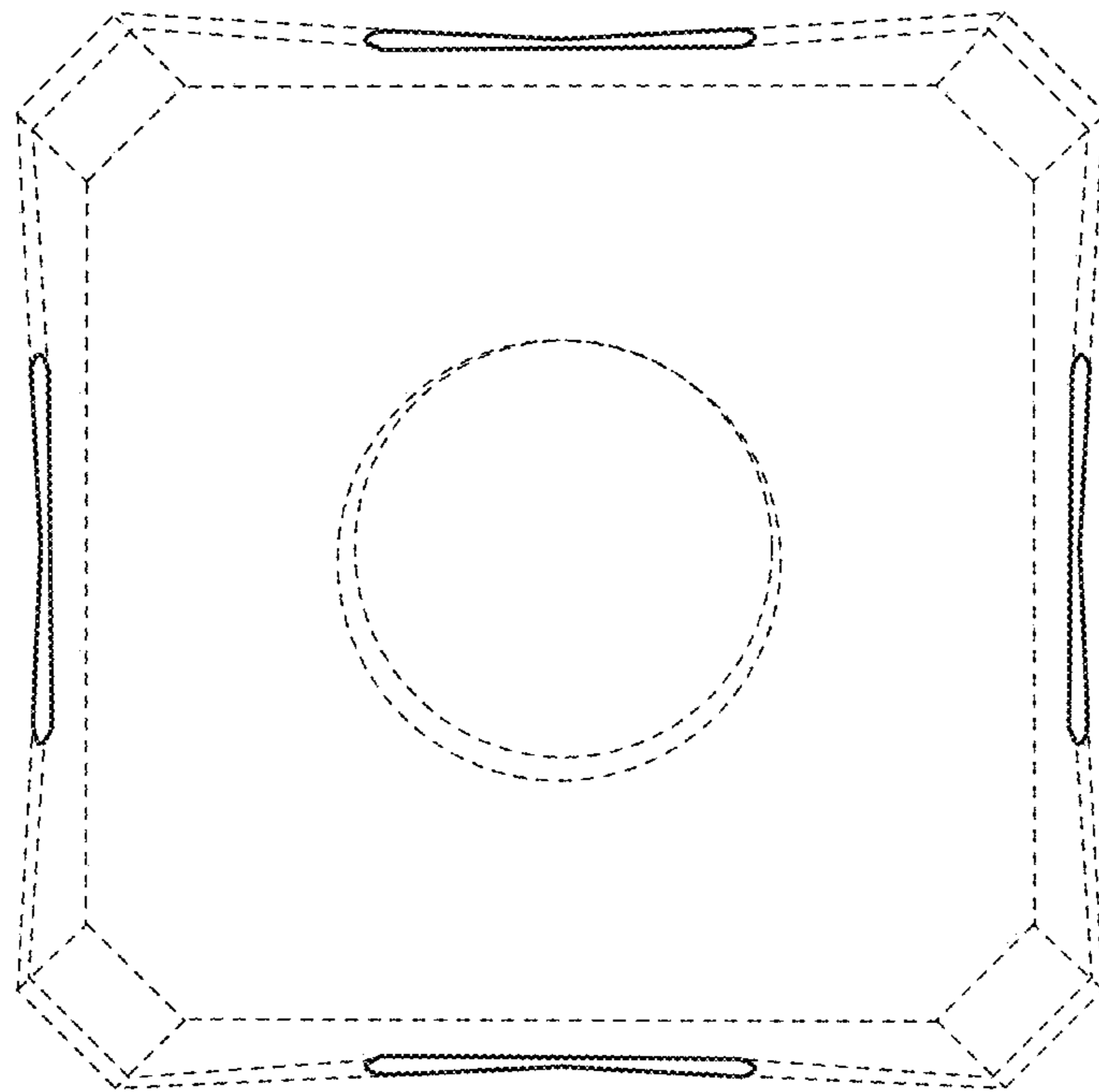


FIG. 7