



US00D949937S

(12) **United States Design Patent** (10) **Patent No.:** **US D949,937 S**  
**O'Brien et al.** (45) **Date of Patent:** **\*\* Apr. 26, 2022**

(54) **MOLD FOOT**

(71) Applicant: **Proper Group International, LLC**,  
Warren, MI (US)

(72) Inventors: **Geoffrey C. O'Brien**, Washington, MI  
(US); **James Tierney**, Sterling Heights,  
MI (US); **Robert Hamood**, Rochester,  
MI (US)

(73) Assignee: **Proper Group International, LLC**,  
Warren, MI (US)

(\*\*) Term: **15 Years**

(21) Appl. No.: **29/689,304**

(22) Filed: **Apr. 29, 2019**

(51) **LOC (13) Cl.** ..... **15-09**

(52) **U.S. Cl.**  
USPC ..... **D15/138**; D15/136; D15/141

(58) **Field of Classification Search**  
USPC ..... D25/113, 117; D21/471, 488, 504, 505;  
D8/307, 310, 312, 322, 402; D6/709,  
D6/710; D13/129, 150; D15/81,  
D15/135-137; D18/56  
CPC . F24C 15/086; E04G 2025/003; E04G 25/02;  
F16K 31/50; F16K 37/00

See application file for complete search history.

(56) **References Cited**

**U.S. PATENT DOCUMENTS**

D93,624 S \* 10/1934 Kasch ..... D8/312  
D190,327 S \* 5/1961 Schinske ..... D13/150  
D196,112 S \* 8/1963 Esser ..... D13/150  
D200,538 S \* 3/1965 Esser ..... D13/150

D281,984 S \* 12/1985 Nakao ..... D21/488  
D324,986 S \* 3/1992 Fratantonio ..... D8/312  
D329,590 S \* 9/1992 Chapman ..... D8/322  
D330,011 S \* 10/1992 Miller ..... D13/150  
D424,401 S \* 5/2000 Ziemer ..... D8/312  
D779,837 S \* 2/2017 Lin ..... D6/312  
D848,377 S \* 5/2019 Maroney ..... D13/154  
2005/0045231 A1\* 3/2005 Hannah ..... F16K 37/0058  
137/553  
2016/0161019 A1\* 6/2016 Chen ..... F16K 31/60  
137/555

**OTHER PUBLICATIONS**

Powermat, Conical Insulators, (site visited Aug. 24, 2021),  
Powermatindia.com website, URL:<[https://www.powermatindia.com/products/standoff\\_insulators/conical\\_insulators.php](https://www.powermatindia.com/products/standoff_insulators/conical_insulators.php)> (Year: 2021).  
AV Products, Round & Square Plastic Plugs and Stainless Steel  
Welding Plates, (site visited Aug. 24, 2021), Avproductsinc.com  
website, URL:<<https://www.avproductsinc.com/machine-leveling/plugs-welding-plates.html>> (Year: 2021).\*

(Continued)

*Primary Examiner* — Calvin E Vansant  
*Assistant Examiner* — Mark T. Philipps  
(74) *Attorney, Agent, or Firm* — Fishman Stewart PLLC

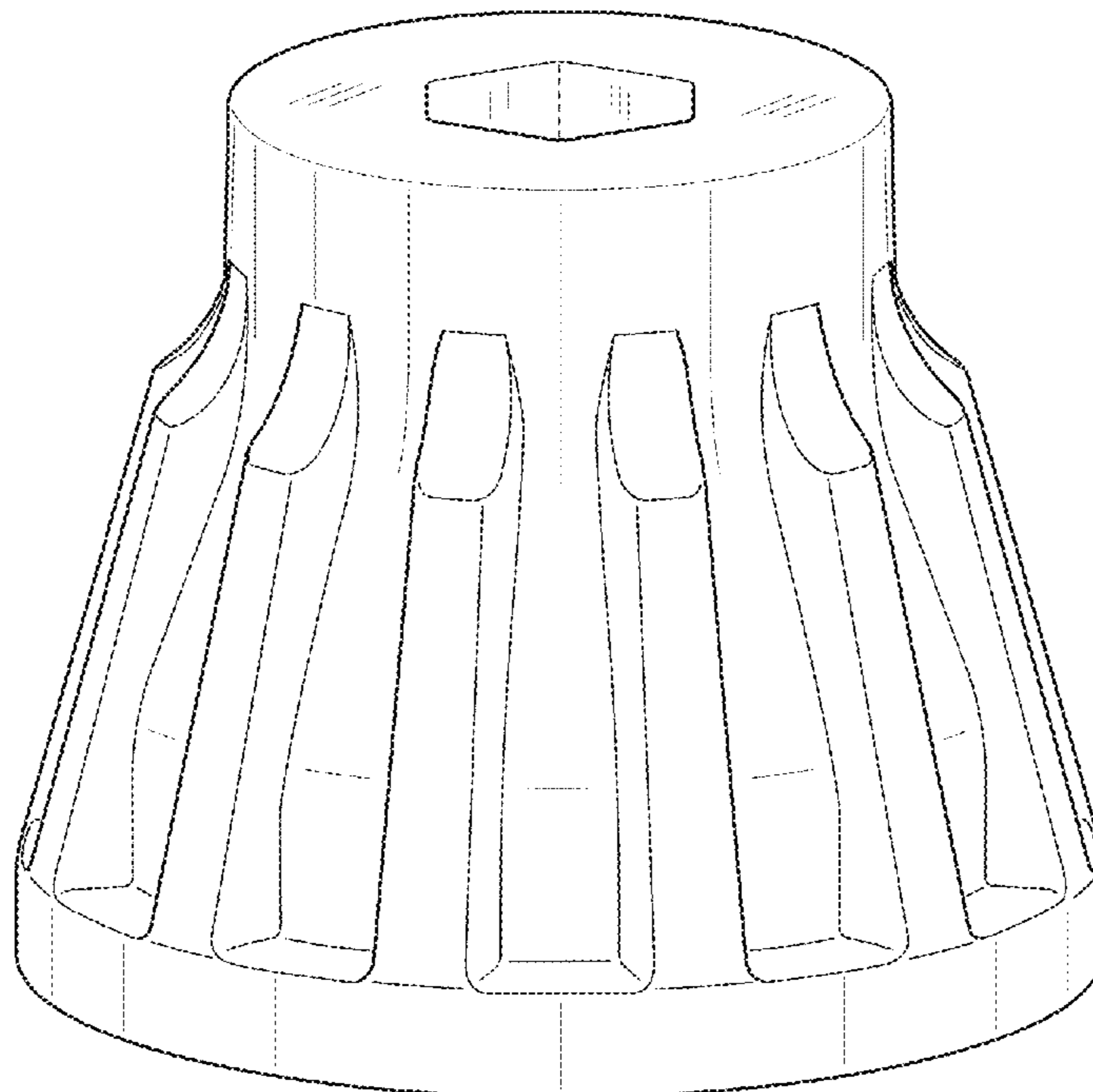
(57) **CLAIM**

The ornamental design for a mold foot, as shown and  
described.

**DESCRIPTION**

FIG. 1 is a perspective view a mold foot;  
FIG. 2 is a front view of the FIG. 1 mold foot;  
FIG. 3 is a rear view of the FIG. 1 mold foot;  
FIG. 4 is a top view of the FIG. 1 mold foot; and,  
FIG. 5 is a bottom view of the FIG. 1 mold foot.  
The broken lines represent portions of the mold foot that  
form no part of the claimed design.

**1 Claim, 5 Drawing Sheets**



(56)

**References Cited**

OTHER PUBLICATIONS

Essentra Components, Knurled Thumb Nuts—Conical / Plastic, (site visited Aug. 24, 2021), EssentraComponents.com website, URL:<<https://www.essentracomponents.com/en-au/p/knurled-thumb-nuts-conical---plastic>> (Year: 2021).\*

Kitchen Unit Leg, “How do you remove a kitchen leg”, (Blog posted Sep. 15, 2015), DIY Kitchens website, URL:<<https://advice.diy-kitchens.com/customer-questions/how-do-i-remove-kitchen-unit-legs/>> (Year: 2015).\*

\* cited by examiner

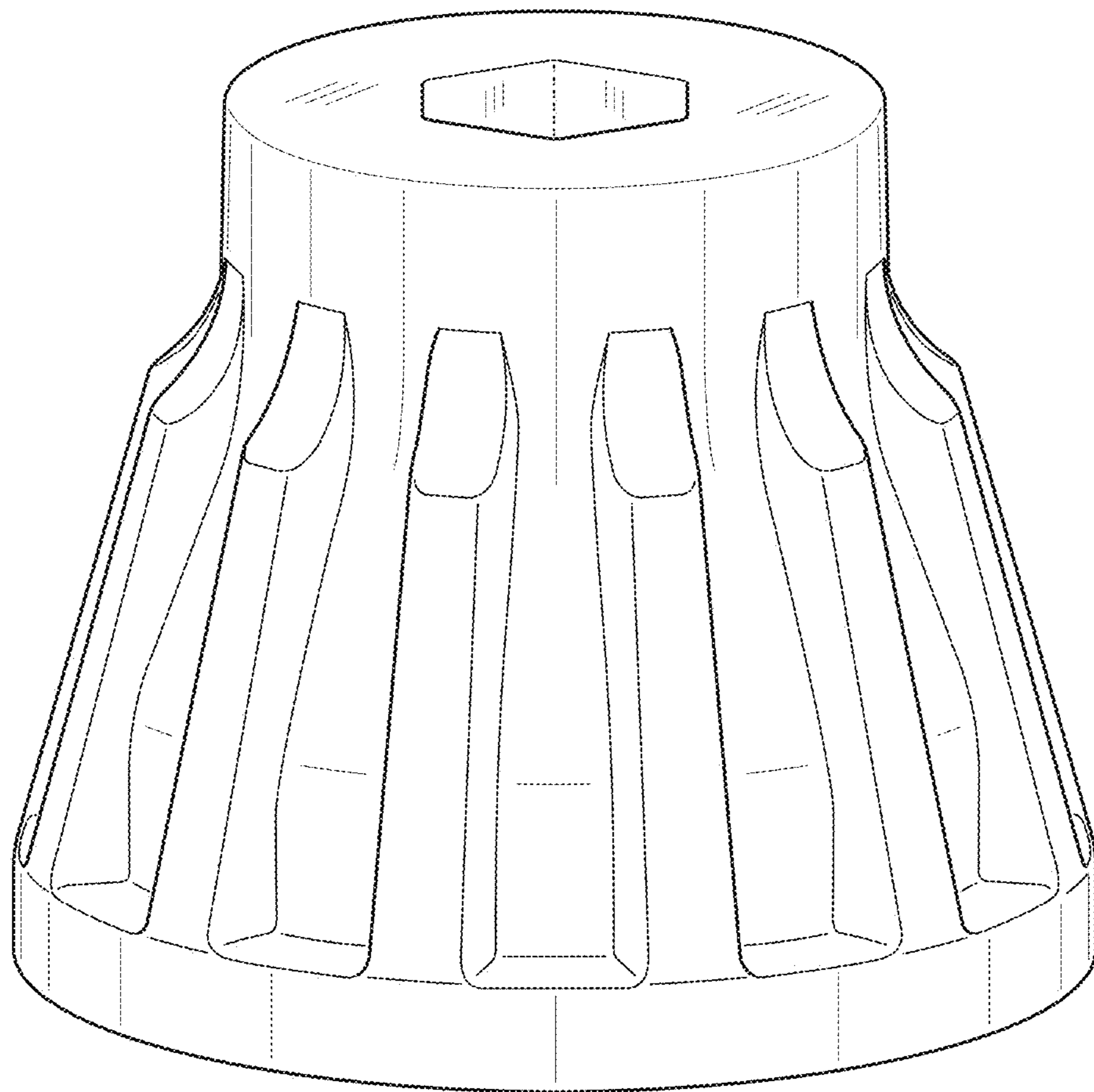


FIG. 1

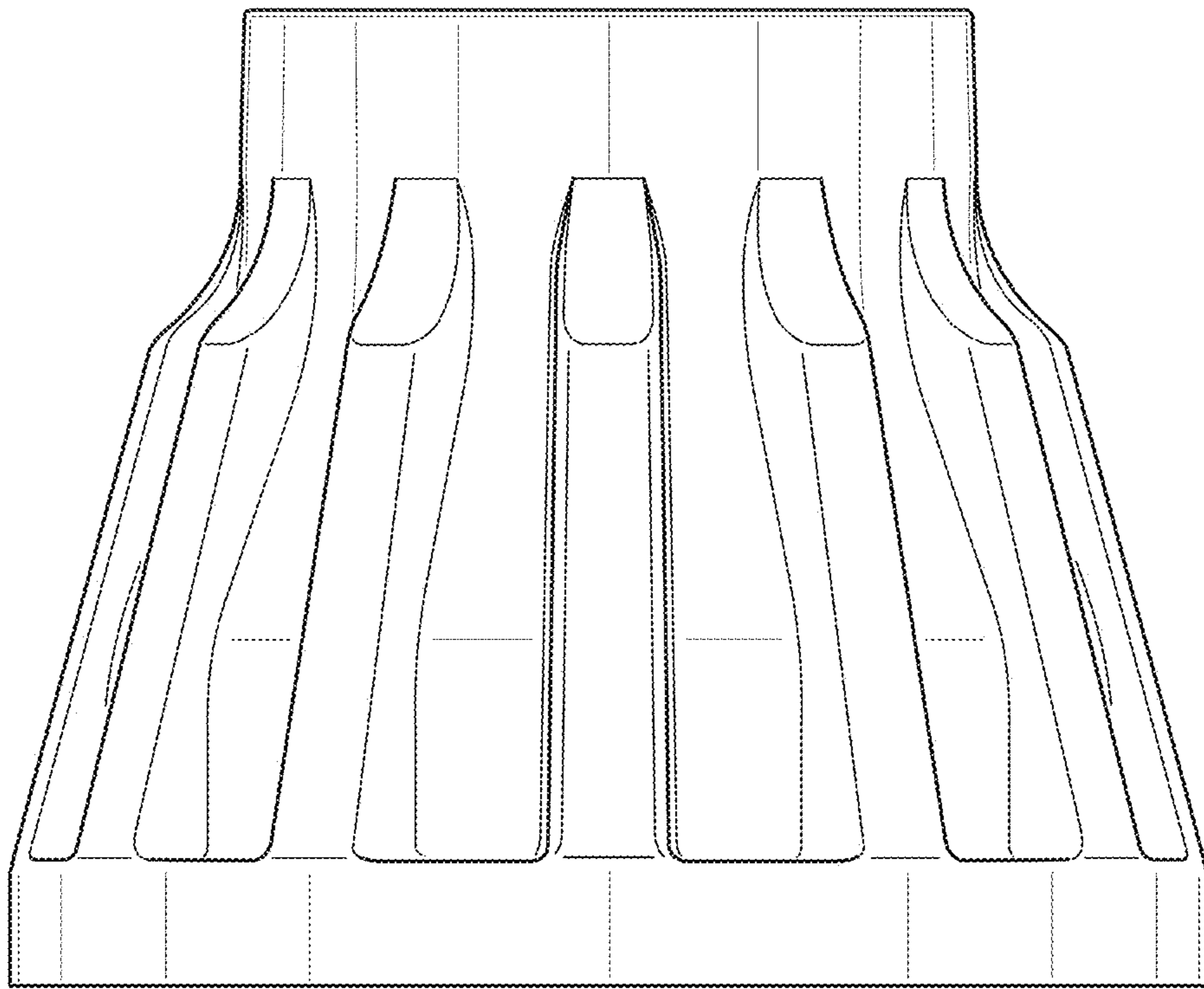


FIG. 2

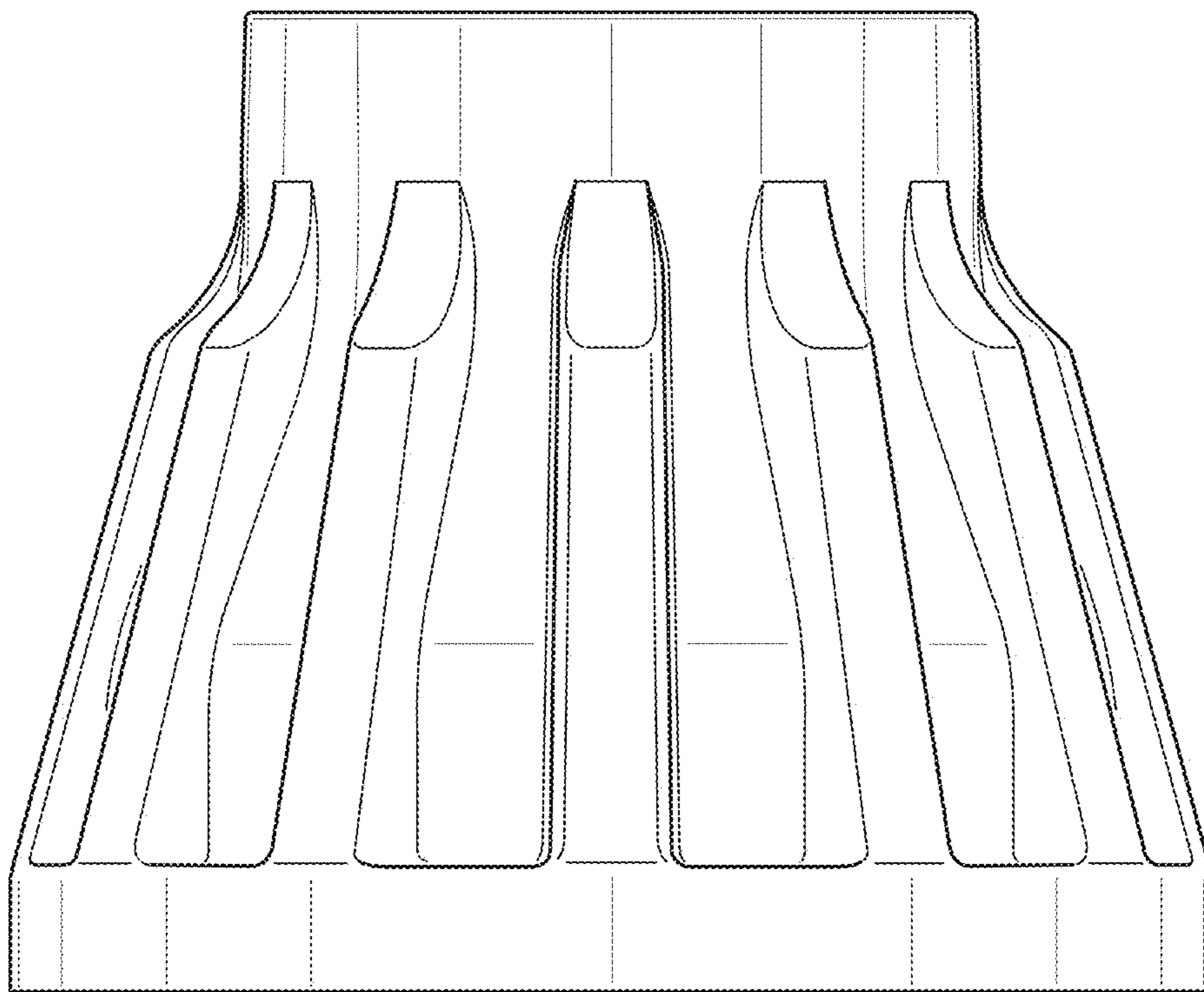


FIG. 3

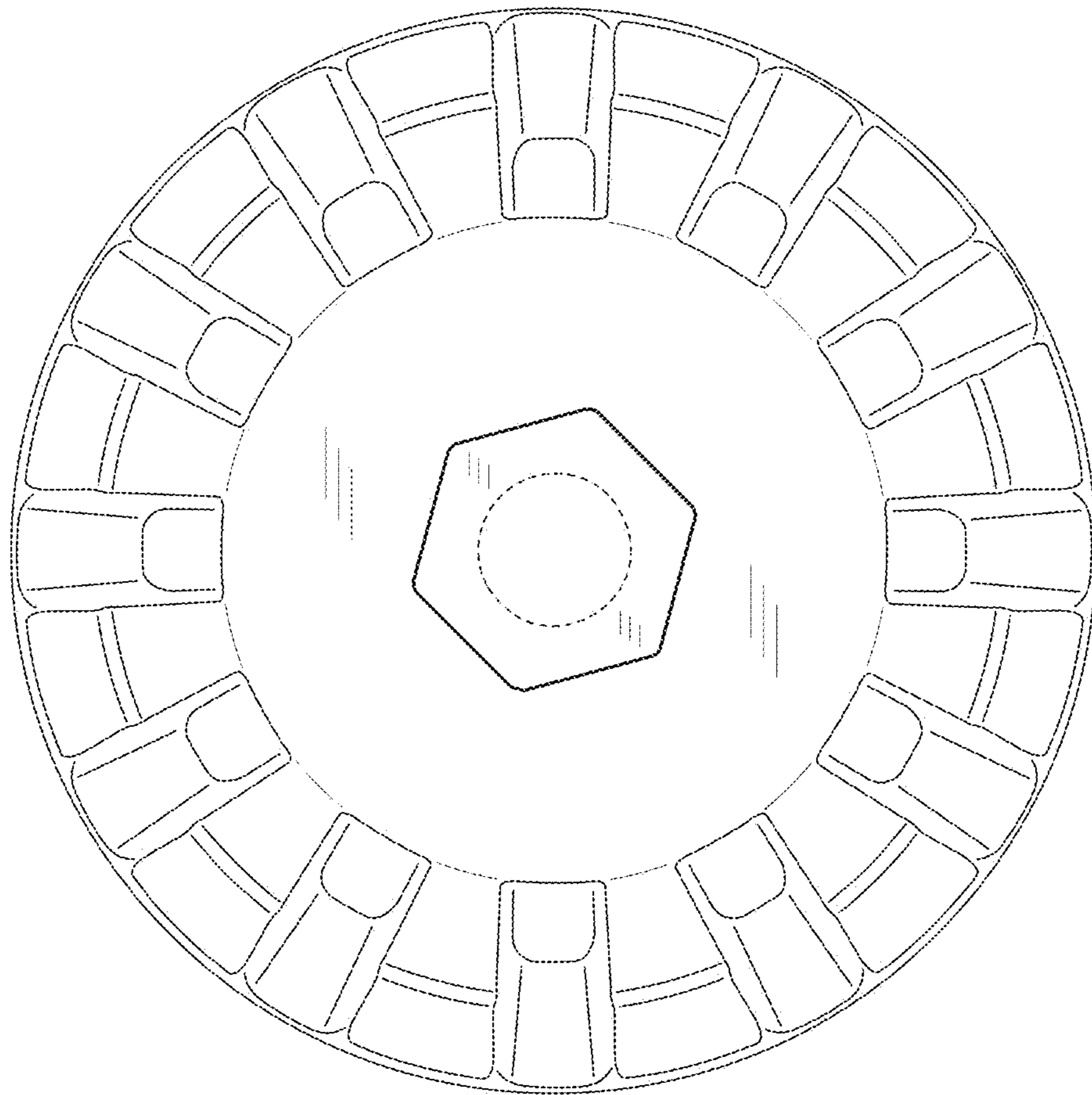


FIG. 4

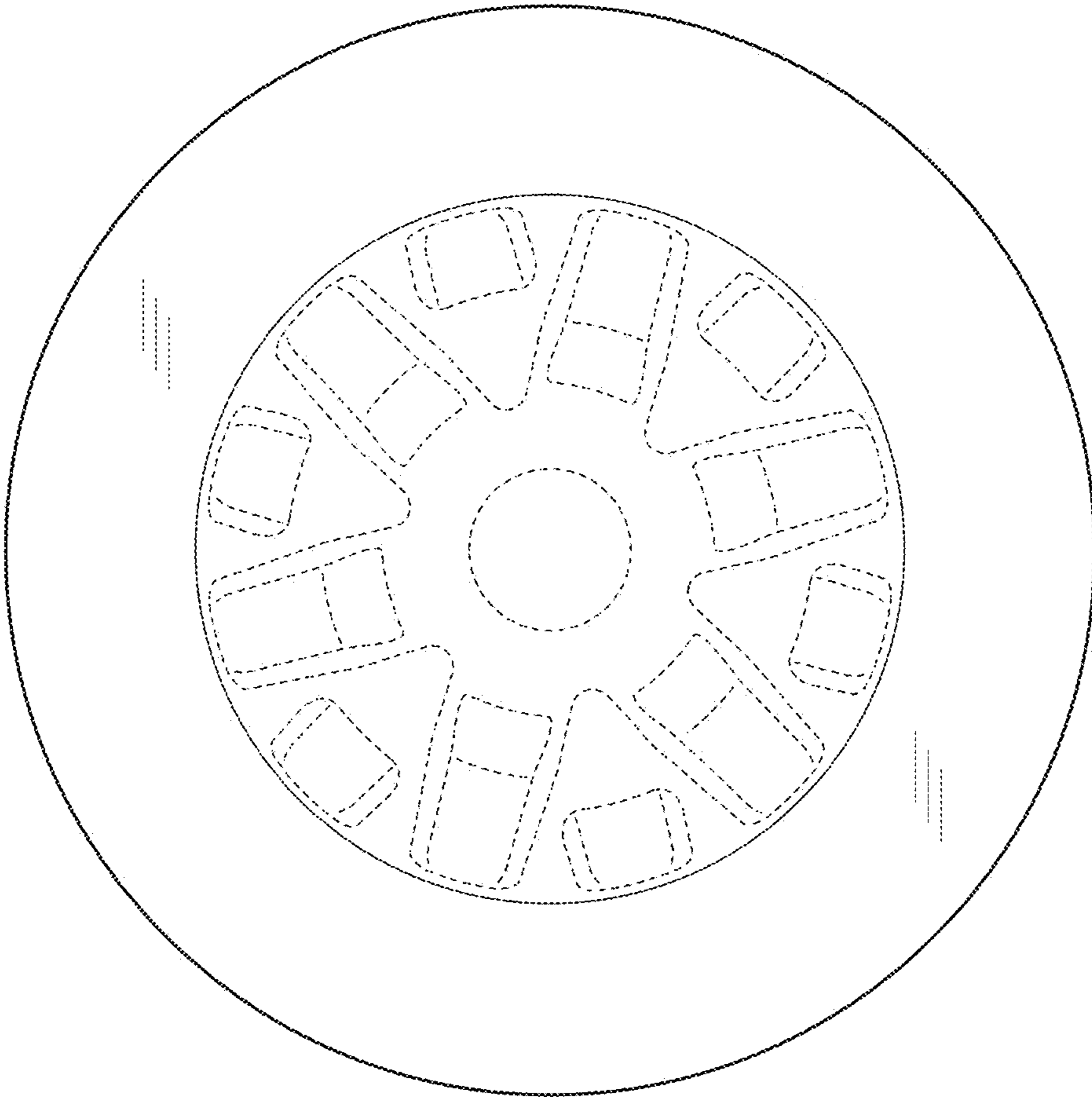


FIG. 5