



US00D949936S

(12) **United States Design Patent**
Wilkinson et al.

(10) **Patent No.:** **US D949,936 S**

(45) **Date of Patent:** **** Apr. 26, 2022**

- (54) **DOWNHOLE HYDRAULIC FRACTURING PLUG**
- (71) Applicant: **Paramount Design LLC**, Duncan, OK (US)
- (72) Inventors: **Brian Wilkinson**, Duncan, OK (US); **Loren Swor**, Duncan, OK (US)
- (73) Assignee: **Paramount Design LLC**, Duncan, OK (US)
- (**) Term: **15 Years**
- (21) Appl. No.: **29/718,330**
- (22) Filed: **Dec. 23, 2019**
- (51) **LOC (13) Cl.** **15-09**
- (52) **U.S. Cl.**
USPC **D15/132**; D15/21
- (58) **Field of Classification Search**
USPC D8/20, 68-70, 98, 99, 385, 395; D15/19, D15/21, 131-133, 138, 139
CPC E21B 4/02; E21B 10/5673; E21B 17/073
See application file for complete search history.

(56) **References Cited**

U.S. PATENT DOCUMENTS

D508,061 S *	8/2005	Kotala	D15/132
D525,634 S *	7/2006	Kotala	D15/132
7,762,323 B2	7/2010	Frazier		
D673,182 S *	12/2012	Frazier	D15/21
D673,183 S *	12/2012	Frazier	D15/21
D719,196 S *	12/2014	Burca	D15/132
8,899,317 B2	12/2014	Frazier		
D735,785 S *	8/2015	O'Malley	D15/131
D786,645 S *	5/2017	Svensen	D8/70
D827,000 S *	8/2018	VanLue	E21B 34/16
				D15/138
D877,216 S *	3/2020	Davies	D15/138
D877,780 S *	3/2020	Spatz	D15/21
D916,937 S *	4/2021	Kellner	D15/138

2011/0259610 A1	10/2011	Shkurti et al.
2013/0299192 A1	11/2013	Xu et al.
2015/0285026 A1	10/2015	Frazier
2016/0186511 A1	6/2016	Coronado et al.
2016/0201425 A1	7/2016	Walton et al.
2016/0201427 A1	7/2016	Fripp et al.
2016/0201435 A1	7/2016	Fripp et al.
2016/0230494 A1	8/2016	Fripp et al.

(Continued)

OTHER PUBLICATIONS

Axis Technologies, *Axis Black Bridge Plugs and Frac Plugs*, 2009.

(Continued)

Primary Examiner — Michael C Stout

Assistant Examiner — Fritzgerald L Butac

(74) *Attorney, Agent, or Firm* — Dunlap Coddling, P.C.

(57) **CLAIM**

The ornamental design for a downhole hydraulic fracturing plug, as shown and described.

DESCRIPTION

FIG. 1 is a perspective view of a downhole hydraulic fracturing plug, showing my new design.

FIG. 2 is a front elevational view thereof.

FIG. 3 is a rear elevational view thereof.

FIG. 4 is a side elevational view thereof.

FIG. 5 is an elevational view of a side opposite that shown in FIG. 4.

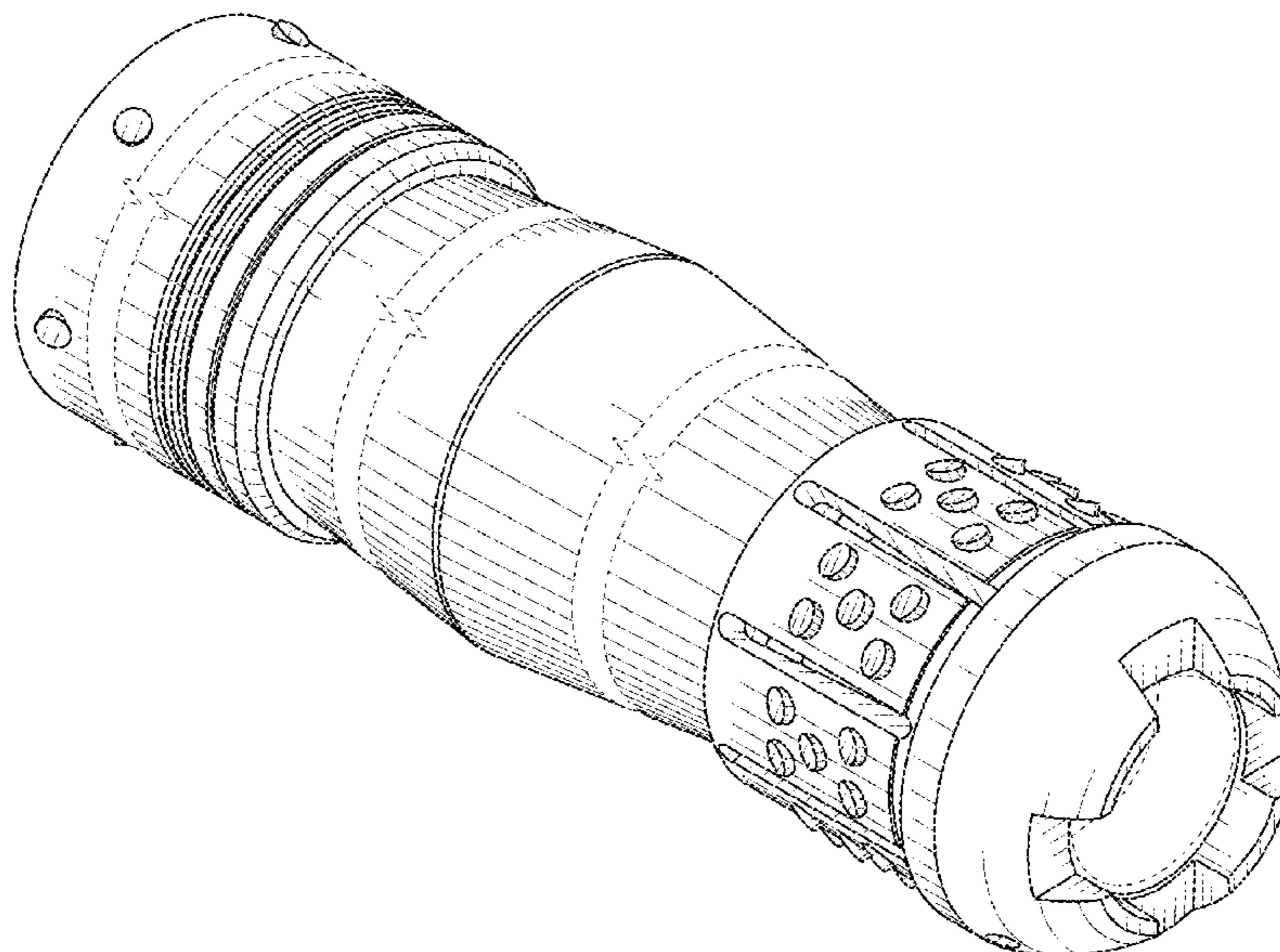
FIG. 6 is a top plan view thereof; and,

FIG. 7 is a bottom plan view thereof.

The broken lines show portions of a downhole hydraulic fracturing plug which form no part of the claimed design.

The parallel “zig-zag” lines seen in FIGS. 1-5 are for the purpose of showing a symbolic break in length of the claimed design. Any portion of the article which appears within the “zig-zag” lines forms no part thereof.

1 Claim, 4 Drawing Sheets



(56)

References Cited

U.S. PATENT DOCUMENTS

2016/0265091 A1 9/2016 Walton et al.

OTHER PUBLICATIONS

Baker Hughes, *Spectre Disintegrating Frac Plugs*, Retrieved Jun. 27, 2016 from URL<<http://www.bakerhughes.com/products-and-services/completions/well-completions/multistage-hydraulic-fracturing/plug-and-perf-completions/spectre-disintegrating-frac-plug>>.

Halliburton, *1960 Halliburton Sales and Service Catalog*, 1960, pp. 18-20, Halliburton Oil Well Cementing Company.

Halliburton, screenshot from *Halliburton Introduces the Illusion Frac Plug*, Jun. 15, 2015, retrieved Jun. 27, 2016 from URL<http://www.halliburton.com/en-US/news/announcements/halliburton-introduces-illusion-frac-plug.page?nav=en-US_service-tools_public>.

KLX Energy Services, *Spec Sheet: KLX Dissolvable Frac Plug*, Jan. 10, 2019, Houston, TX.

Magnum Oil Tools, screenshot from *Magnum Composite Plug Animation*, Published on Apr. 12, 2013, YouTube, retrieved Feb. 19, 2019 from URL<<https://www.youtube.com/watch?v=SgAkTb60all>>.

* cited by examiner

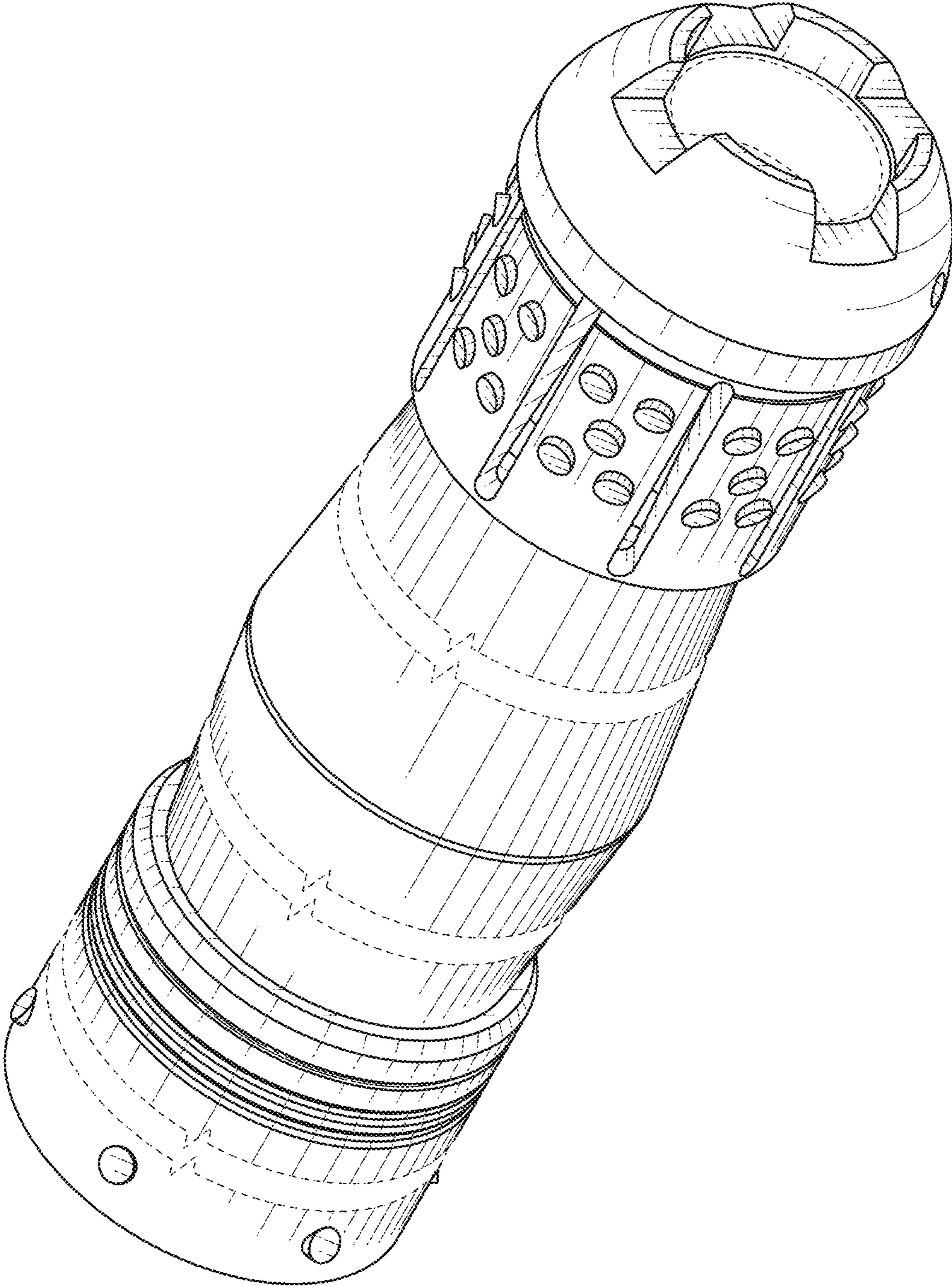


FIG. 1

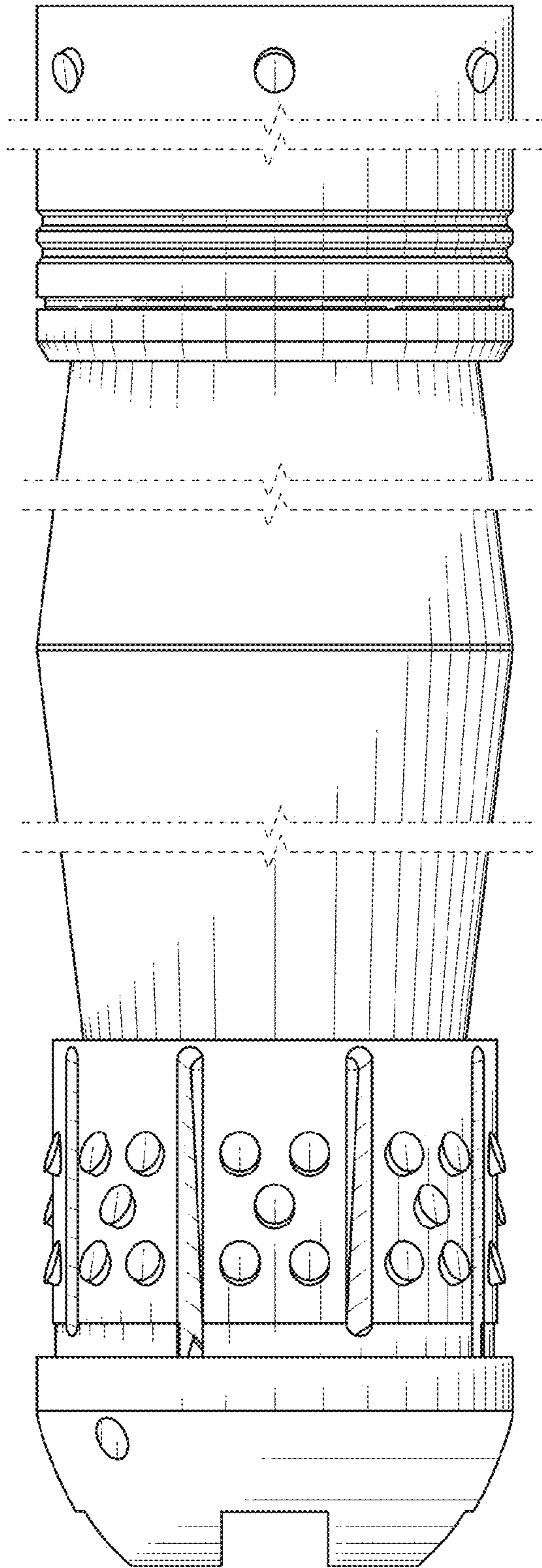


FIG. 2

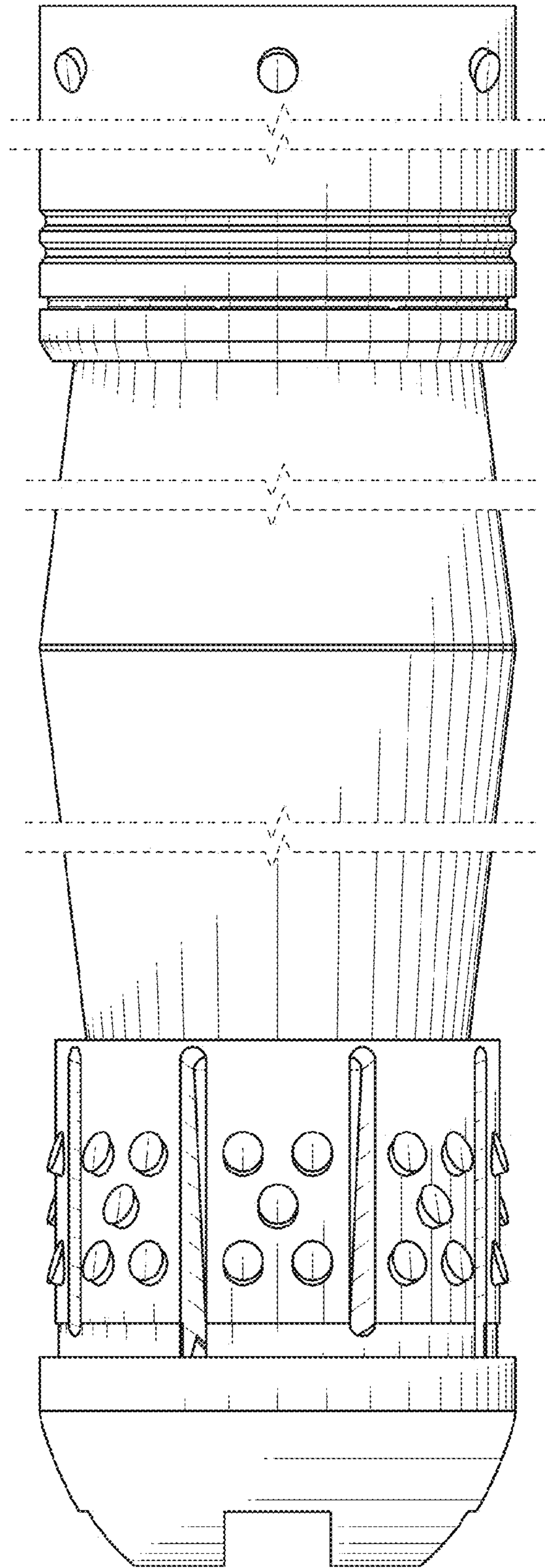


FIG. 3

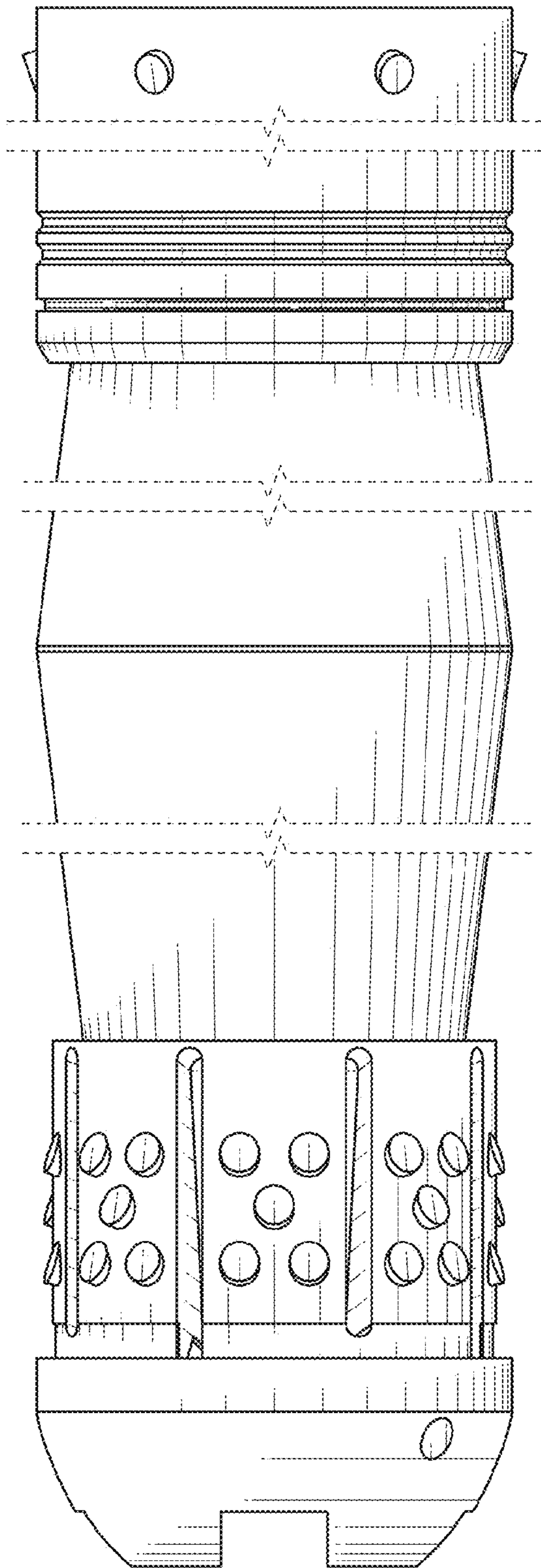


FIG. 4

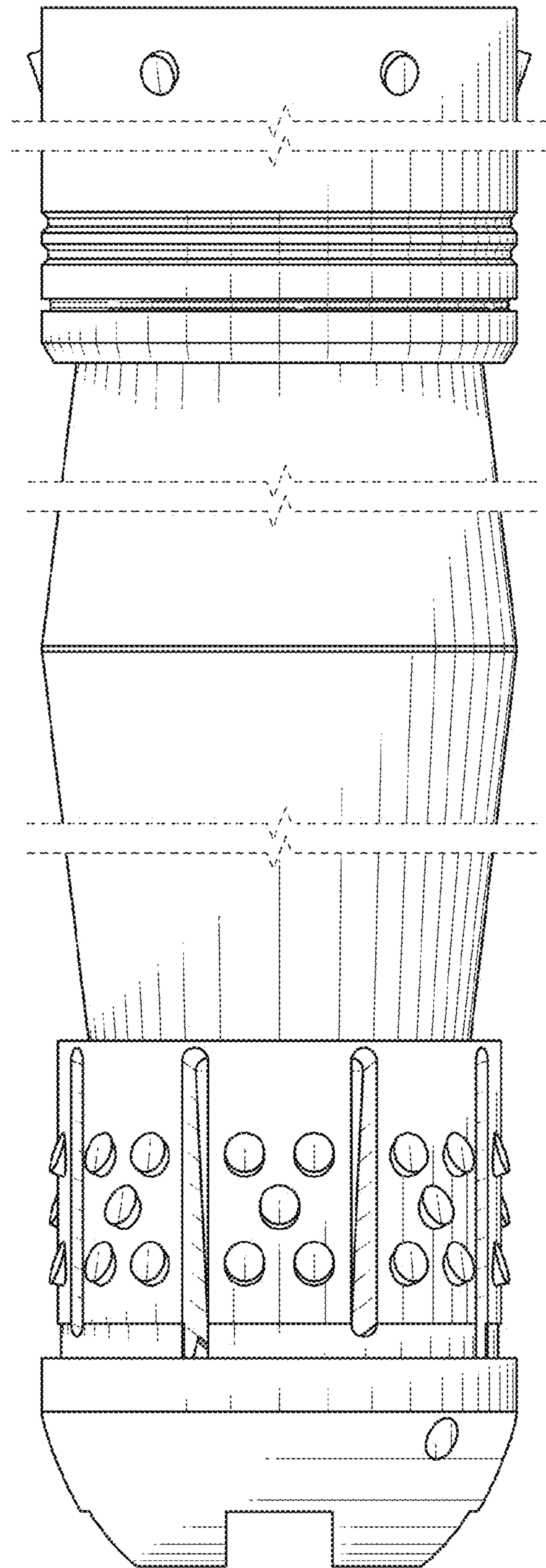


FIG. 5

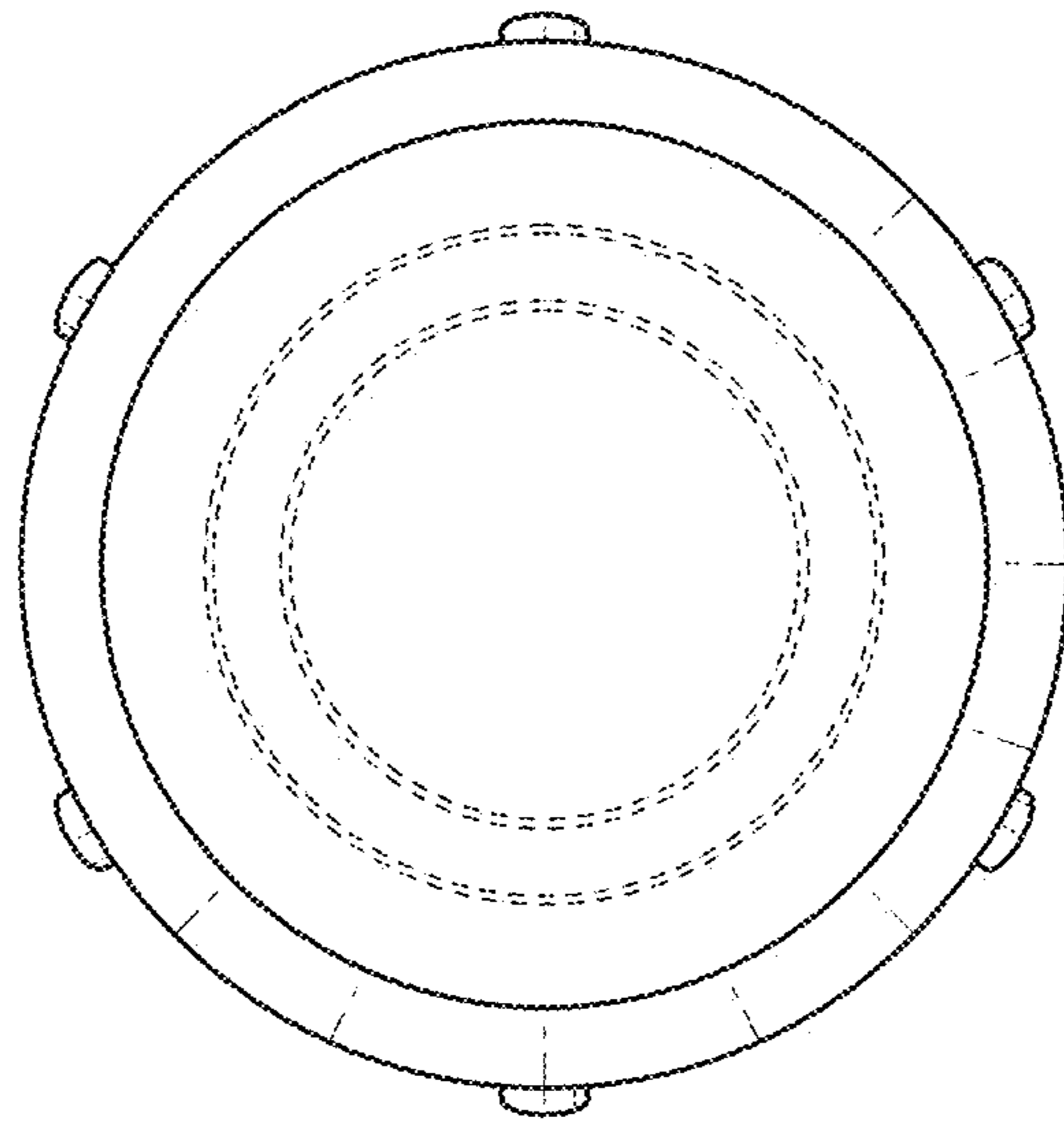


FIG. 6

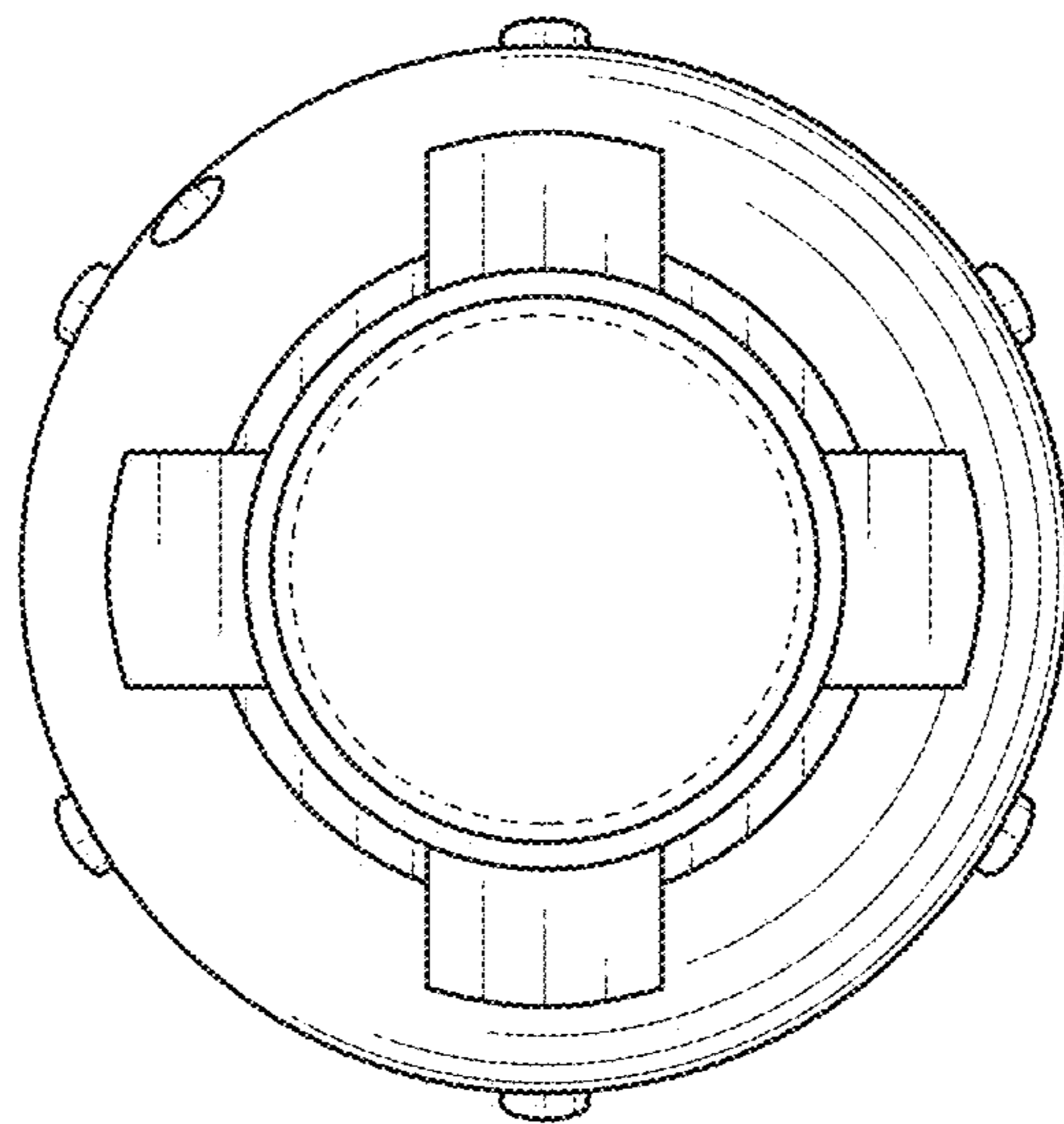


FIG. 7